

# INSTALLATION INSTRUCTIONS

## MSB-6542 DISPLAY MOUNTING BRACKET

Prior to assembly, unpack carton completely and verify contents.

If you are missing any of the following components, please contact Customer Service at 1-800/582-6480

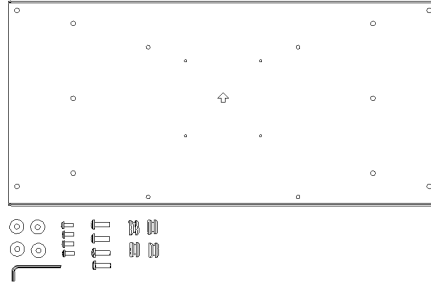


Figure 1

(1) Interface Bracket

(4) 10-24 x .5 Button Head Cap Screw

(4) .75 x .266 x .312 Nylon Spacer

(4) Mounting Button - Tapped

(4) M6 x 20 Phillips Head Cap Screw

(1) 1/8" Allen Key

BEFORE PROCEEDING, READ INSTALLATION INSTRUCTIONS COMPLETELY

**CAUTION!** DISPLAYS ARE EXTREMELY FRAGILE.

**WARNING!** ALL COMPONENTS MUST BE SECURELY FASTENED TO A STRUCTURAL MEMBER CAPABLE OF SUPPORTING 4 TIMES THE COMBINED WEIGHT OF ALL COMPONENTS PLUS THE EQUIPMENT BEING MOUNTED. IF IT CANNOT SUPPORT THIS WEIGHT, THE STRUCTURE MUST BE REINFORCED. THE MAXIMUM WEIGHT TO BE INSTALLED ON THE INTERFACE IS 125 POUNDS (79.38 KG).

**NOTE:** If installing screen on a Chief J-series wall mount, proceed to Step 2 (Bracket Installation).

1. **Chief Q-latch Button Installation (Used with MSR, MTR, MWH, MWR, MCS and MCD mounts):** Using a 10-24 button head cap screw inserted from back side of bracket, secure mounting button, with chamfered hole of mounting button (larger surface) facing bracket, bracket (four places) (see Figure 2 & Figure3).

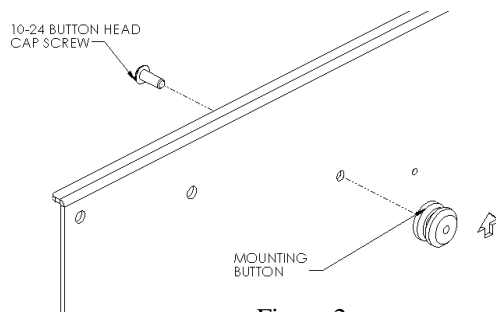


Figure 2

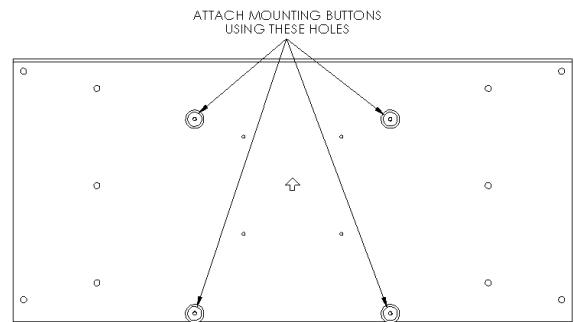


Figure 3

2. **Bracket Installation:** Attach bracket to back of display using the M6 screws and nylon spacers (see Figure 4 & Figure 5).

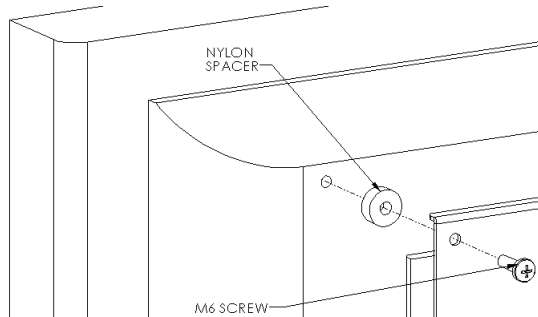


Figure 4

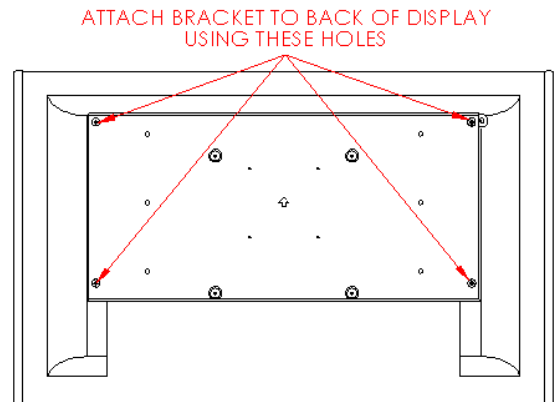


Figure 5

3. **J-Series Mounting:** Per mount instructions, use the 100mm x 100mm tapped holes on bracket to attach screen to J-Series mount (see Figure 6).
4. **Q-Latch Mounting:** Per mount instructions, with the aid of another person, lift display up to the Chief Mount, aligning buttons of mounting brackets with slots in the Chief. Raise safety latch on the Chief Mount to secure display, making sure latch is completely engaged.

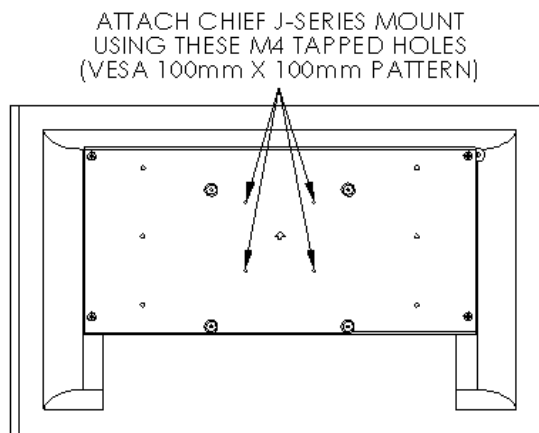


Figure 6