

# INSTALLATION INSTRUCTIONS

## MSB-6550 DISPLAY MOUNTING BRACKET

Prior to assembly, unpack carton completely and verify contents.

If you are missing any of the following components, please contact Customer Service at 1-800/582-6480

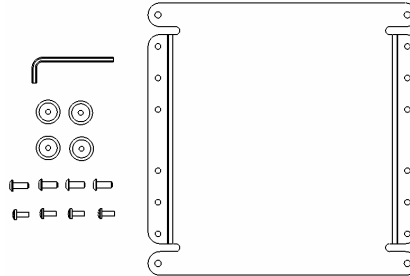


Figure 1

- (1) Interface Bracket
- (4) 10-24 x .5 Button Head Cap Screw
- (1) 1/8" Allen Key

- (4) Mounting Button - Tapped
- (4) M4 x 12 Phillips Head Cap Screw

BEFORE PROCEEDING, READ INSTALLATION INSTRUCTIONS COMPLETELY

### CAUTION!

**DISPLAYS ARE EXTREMELY FRAGILE.**

### WARNING!

**ALL COMPONENTS MUST BE SECURELY FASTENED TO A STRUCTURAL MEMBER CAPABLE OF SUPPORTING 4 TIMES THE COMBINED WEIGHT OF ALL COMPONENTS PLUS THE EQUIPMENT BEING MOUNTED. IF IT CANNOT SUPPORT THIS WEIGHT, THE STRUCTURE MUST BE REINFORCED. THE MAXIMUM WEIGHT TO BE INSTALLED ON THE INTERFACE IS 125 POUNDS (79.38 KG).**

1. **Chief Q-latch Button Installation (Used with MSR, MTR, MWH, MWR, MCS and MCD mounts):** Using a 10-24 button head cap screw inserted from back side of bracket, secure mounting button, with chamfered hole of mounting button (larger surface) facing bracket, bracket (four places) (see Figure 2 & Figure3).
2. Proceed to Step 3 (Bracket Installation).

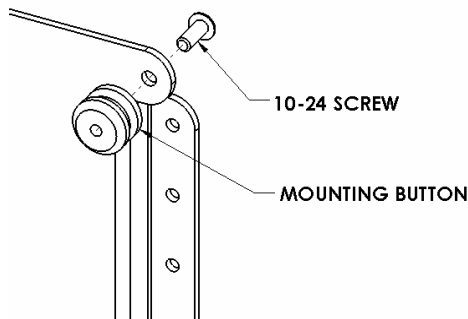


Figure 2

ATTACH MOUNTING BUTTONS  
USING THESE HOLES

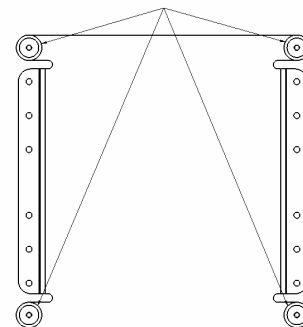


Figure 3

3. **Bracket Installation:** Choose the mounting holes that best center the bracket on the back of the display and attach using the M4 screws. (see Figure 6 & Figure 7).

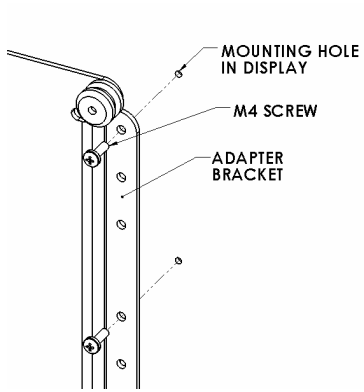


Figure 6

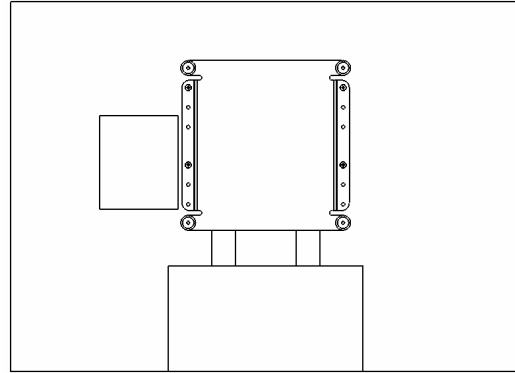


Figure 7

4. Follow the Chief mount instruction manual for screen installation

