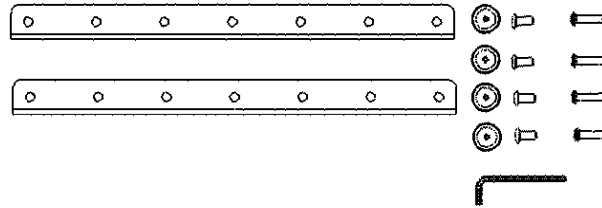


INSTALLATION INSTRUCTIONS

MSB-6590 DISPLAY MOUNTING BRACKET

Prior to assembly, unpack carton completely and verify contents.

If you are missing any of the following components, please contact Customer Service at 1-800/582-6480



- (2) Interface Bracket
- (4) 10-24 x .5 Button Head Cap Screw
- (1) 1/8" Allen Key

Figure 1

- (4) Mounting Button - Tapped
- (4) M6 x 20mm Phillips Pan Head Screw

BEFORE PROCEEDING, READ INSTALLATION INSTRUCTIONS COMPLETELY

CAUTION! DISPLAYS ARE EXTREMELY FRAGILE.

WARNING!

ALL COMPONENTS MUST BE SECURELY FASTENED TO A STRUCTURAL MEMBER CAPABLE OF SUPPORTING 4 TIMES THE COMBINED WEIGHT OF ALL COMPONENTS PLUS THE EQUIPMENT BEING MOUNTED. IF IT CANNOT SUPPORT THIS WEIGHT, THE STRUCTURE MUST BE REINFORCED. THE MAXIMUM WEIGHT TO BE INSTALLED ON THE INTERFACE IS 125 POUNDS (79.38 KG).

1. **Chief Q-latch Button Installation (Used with MSR, MTR, MWH, MWR, MCS and MCD mounts):** Using a 10-24 button head cap screw inserted from inside of bracket, secure mounting button, with chamfered hole of mounting button (larger surface) facing bracket, bracket (four places) (see Figure 2 & Figure3).

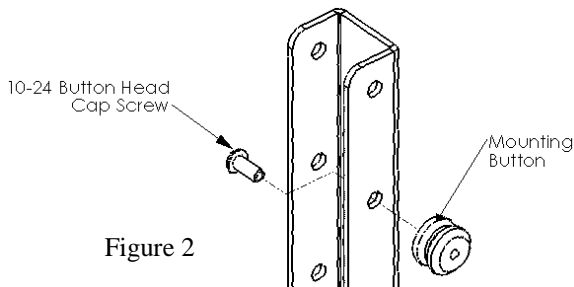


Figure 2

Attach mounting buttons to brackets using these holes

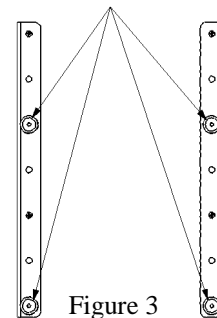


Figure 3

2. **Bracket Installation:** Attach bracket to back of display using the M6 screws.
(see Figure 6 & Figure 7).
3. Follow the Chief mount instruction manual for screen installation.

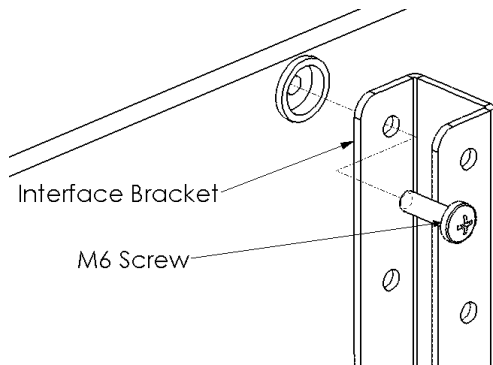


Figure 6

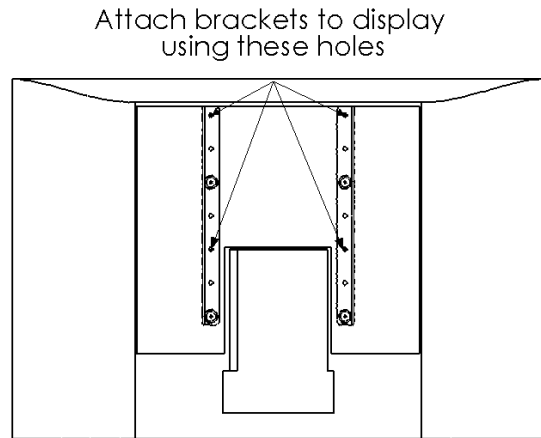


Figure 7