

# INSTALLATION INSTRUCTIONS

## MSB-6602 DISPLAY MOUNTING BRACKET

Prior to assembly, unpack carton completely and verify contents.

If you are missing any of the following components, please contact Customer Service at 1-800/582-6480

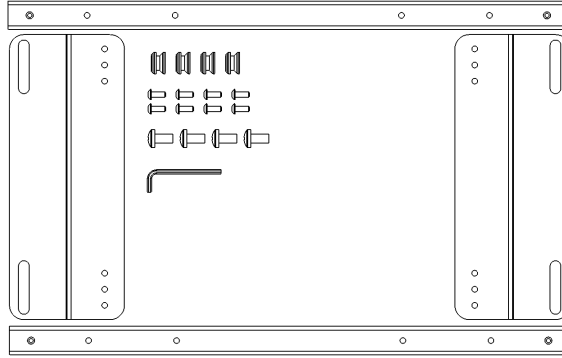


Figure 1

(2) Interface Side Brackets  
(4) Mounting Buttons – Tapped  
(4) M8 x 16mm Phillips Head Screws

(2) Interface Center Brackets  
(8) 10-24 x .500 Button Head Cap Screws  
(1) 1/8" Allen Key

BEFORE PROCEEDING, READ INSTALLATION INSTRUCTIONS COMPLETELY

**CAUTION!** DISPLAYS ARE EXTREMELY FRAGILE.

### 1. Chief Q-latch Button Installation

Using a 10-24 button head cap screw inserted from back side of bracket, secure mounting button, with chamfered hole of mounting button (larger surface) facing bracket, to center brackets (four places) (see Figure 2 & Figure3).

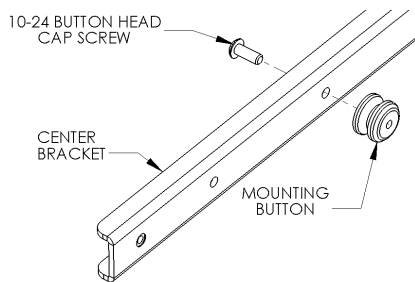


Figure 2

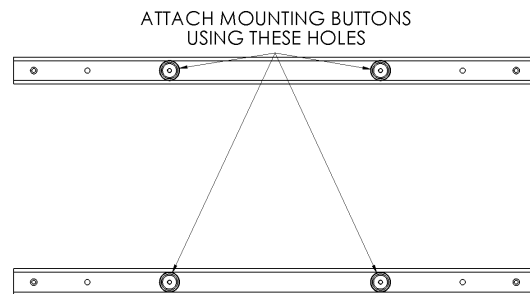


Figure 3

2. **Side Bracket Assembly:** Attach center brackets to side brackets using the 10-24 button head cap screws (see Figure 4 & Figure 5). Offset holes are provided in case the cross brackets need to be shifted up or down.

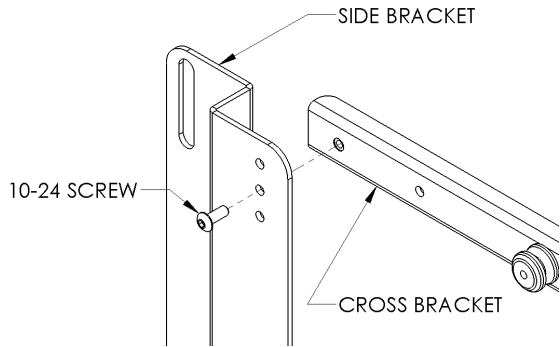


Figure 4

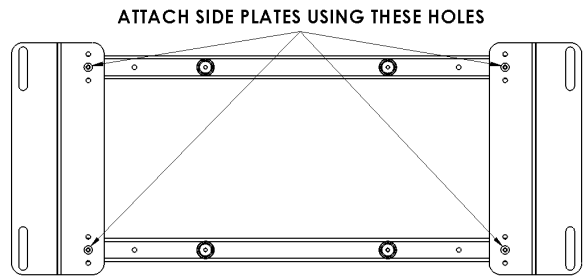


Figure 5

3. **Bracket Installation:** Place nylon spacers over mounting holes of screen and attach brackets to back of display using the M8 screws (see Figure 6 & Figure 7). Do not over tighten screws.

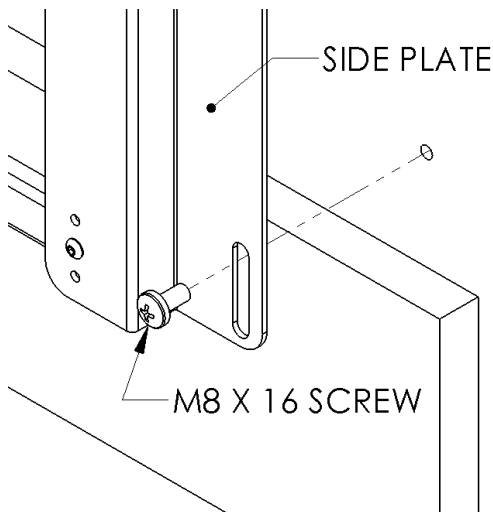


Figure 6

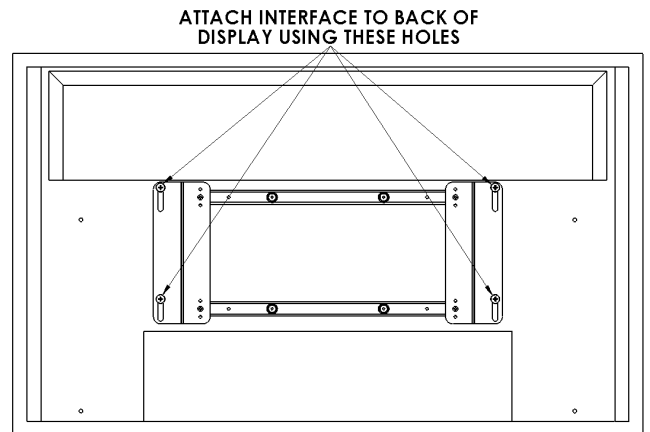


Figure 7

4. Follow the Chief mount instruction manual for screen installation.