

INSTALLATION INSTRUCTIONS

MSB-6610 DISPLAY MOUNTING BRACKET

Prior to assembly, unpack carton completely and verify contents.

If you are missing any of the following components, please contact Customer Service at 1-800/582-6480

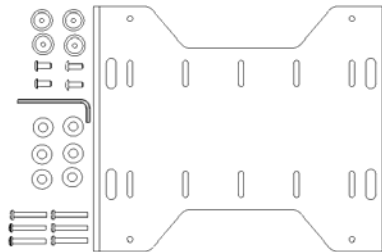


Figure 1

- | | |
|--------------------------------------|-------------------------------------|
| (1) Interface Bracket | (4) Mounting Button - Tapped |
| (4) 10-24 x .5 Button Head Cap Screw | (6) M4 x 30 Phillips Head Cap Screw |
| (6) 18mm x 8.3mm x 20mm Nylon Spacer | (1) 1/8" Allen Key |

BEFORE PROCEEDING, READ INSTALLATION INSTRUCTIONS COMPLETELY

CAUTION! DISPLAYS ARE EXTREMELY FRAGILE.

WARNING!

ALL COMPONENTS MUST BE SECURELY FASTENED TO A STRUCTURAL MEMBER CAPABLE OF SUPPORTING 4 TIMES THE COMBINED WEIGHT OF ALL COMPONENTS PLUS THE EQUIPMENT BEING MOUNTED. IF IT CANNOT SUPPORT THIS WEIGHT, THE STRUCTURE MUST BE REINFORCED. THE MAXIMUM WEIGHT TO BE INSTALLED ON THE INTERFACE IS 125 POUNDS (79.38 KG).

NOTE: For use with VESA 200mm X 100mm mountable flat screens. No MSB interface is need for installing screen on Chief J-series mounts.

1. Using a 10-24 button head cap screw inserted from back side of bracket, secure mounting button, with chamfered hole of mounting button (larger surface) facing bracket, bracket (four places) (see Figure 2 & Figure3).

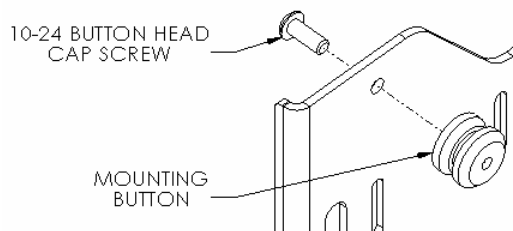


Figure 2

ATTACH MOUNTING BUTTONS USING THESE HOLES

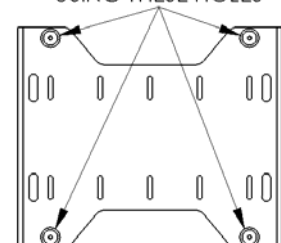


Figure 3

2. Place Nylon spacers over mounting holes on back of panel.
3. Attach bracket to back of display using the M4 screws (see Figure 4 & Figure 5). The vertical slots of bracket can be used for any height adjustment that may be needed. Do not over tighten screws.
4. With the aid of another person, lift the display up to the Chief Mount and align buttons of mounting bracket with slots on the Chief Mount.
5. Raise safety latch on the Chief Mount to secure the display, making sure latch is completely engaged.

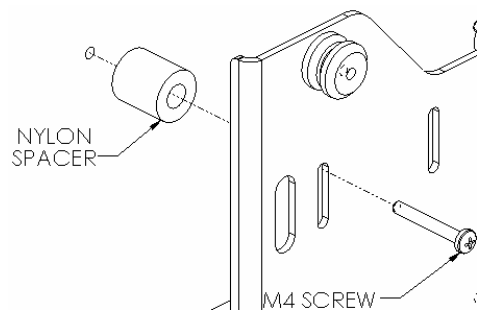


Figure 4

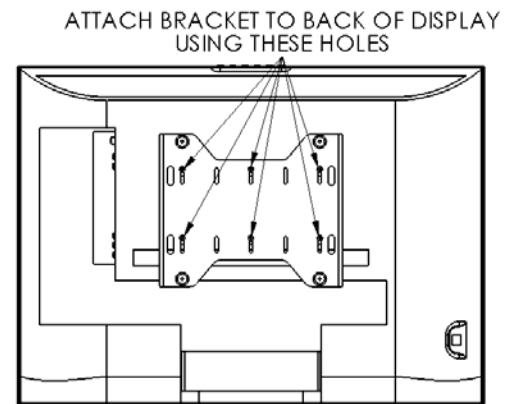


Figure 5