

# INSTALLATION INSTRUCTIONS

## MSB-6613 DISPLAY MOUNTING BRACKET

Prior to assembly, unpack carton completely and verify contents.

If you are missing any of the following components, please contact Customer Service at 1-800/582-6480

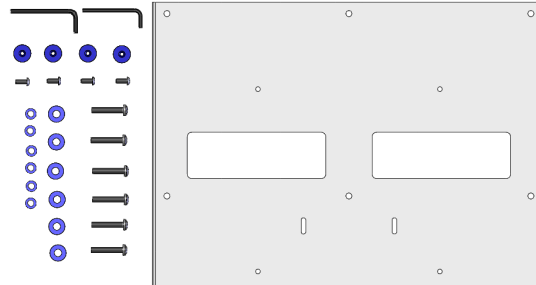


Figure 1

(1) Interface Bracket

(4) 10-24 x .5 Button Head Cap Screw

(1) M4 Allen Key

(6) .500 x .316 x .500 Nylon Spacer

(4) Mounting Button - Tapped

(6) M6 x 30 Button Head Cap Screw

(6) 18mm x 8.3mm x 20mm Nylon Spacer

(1) 1/8" Allen Key

BEFORE PROCEEDING, READ INSTALLATION INSTRUCTIONS COMPLETELY

**CAUTION!** DISPLAYS ARE EXTREMELY FRAGILE.

**WARNING!**

**ALL COMPONENTS MUST BE SECURELY FASTENED TO A STRUCTURAL MEMBER CAPABLE OF SUPPORTING 4 TIMES THE COMBINED WEIGHT OF ALL COMPONENTS PLUS THE EQUIPMENT BEING MOUNTED. IF IT CANNOT SUPPORT THIS WEIGHT, THE STRUCTURE MUST BE REINFORCED. THE MAXIMUM WEIGHT TO BE INSTALLED ON THE INTERFACE IS 125 POUNDS (79.38 KG).**

**NOTE:**

**If installing screen on a Chief J-series wall mount, proceed to Step 3 (J-Series VESA Interface Installation).**

- Chief Q-latch Button Installation (Used with MSR, MTR, MWH, MWR, MCS and MCD mounts):** Using a 10-24 button head cap screw inserted from back side of bracket, secure mounting button, with chamfered hole of mounting button (larger surface) facing bracket, bracket (four places) (see Figure 2 & Figure3).
- Proceed to Step 4 (Bracket Installation).

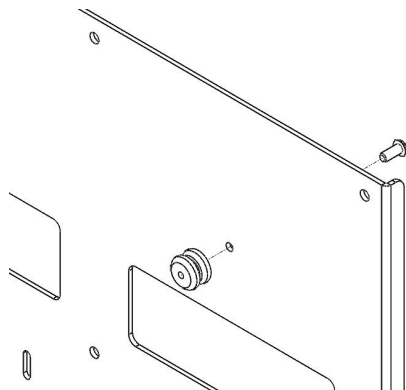


Figure 2

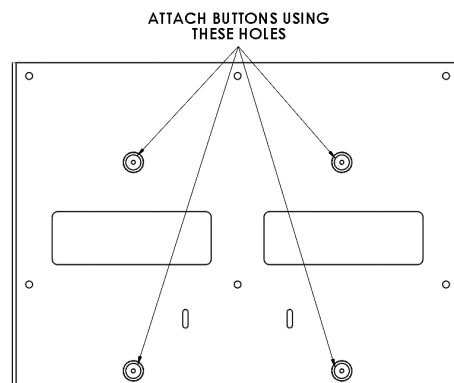


Figure 3

3. **J-Series VESA Interface Installation:** Using the 10-24 button head cap screws along with the 10-24 Nylock nuts (provided with J-Series mount), attach VESA interface from J-Series mount to MSB bracket (see Figure 4 & Figure 5).

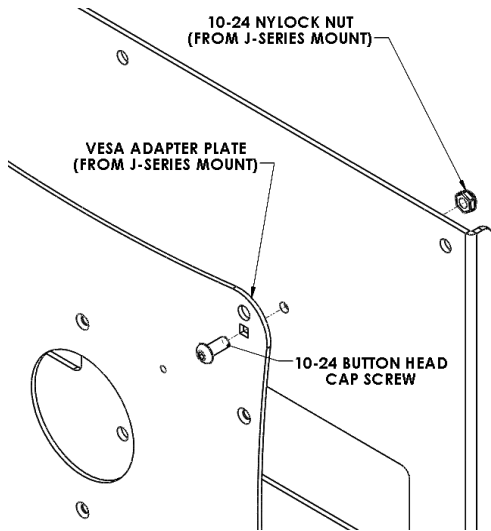


Figure 4

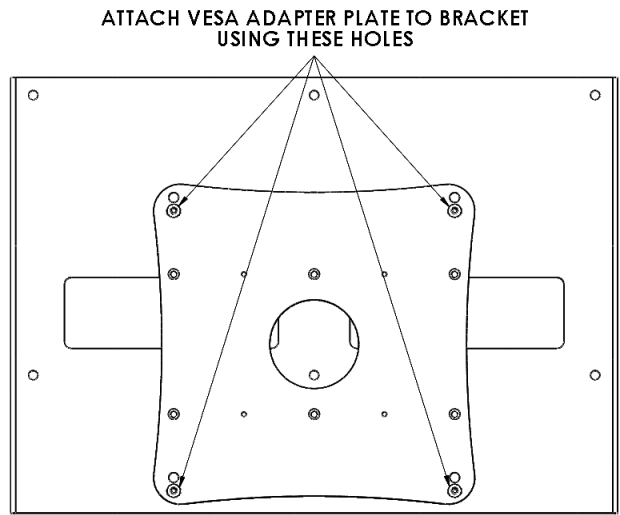


Figure 5

4. **Bracket Installation:** Attach bracket to back of display using the M6 screws and nylon spacers (see Figure 6 & Figure 7). Use the nylon spacer that fits best with your screen. Do not over tighten screws.
5. Follow the Chief mount instruction manual for screen installation.

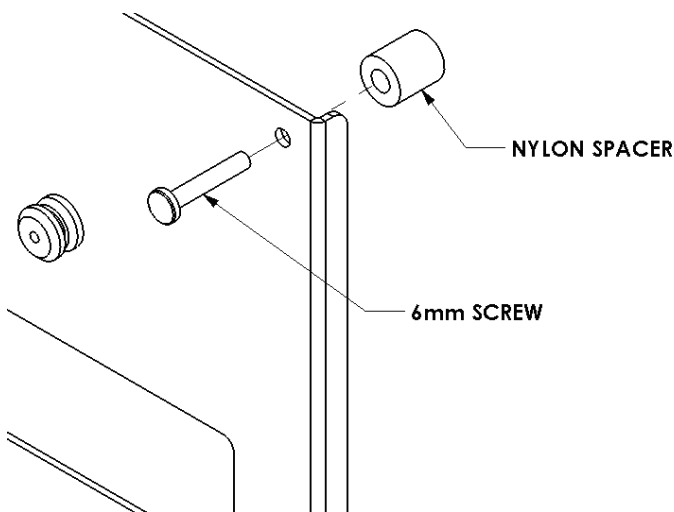


Figure 6

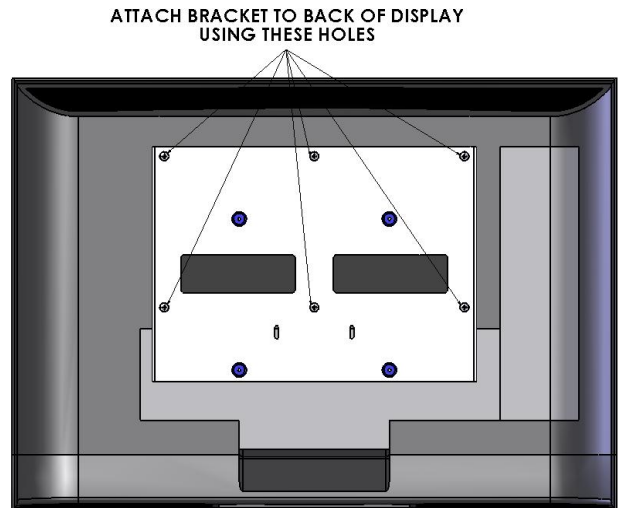


Figure 7