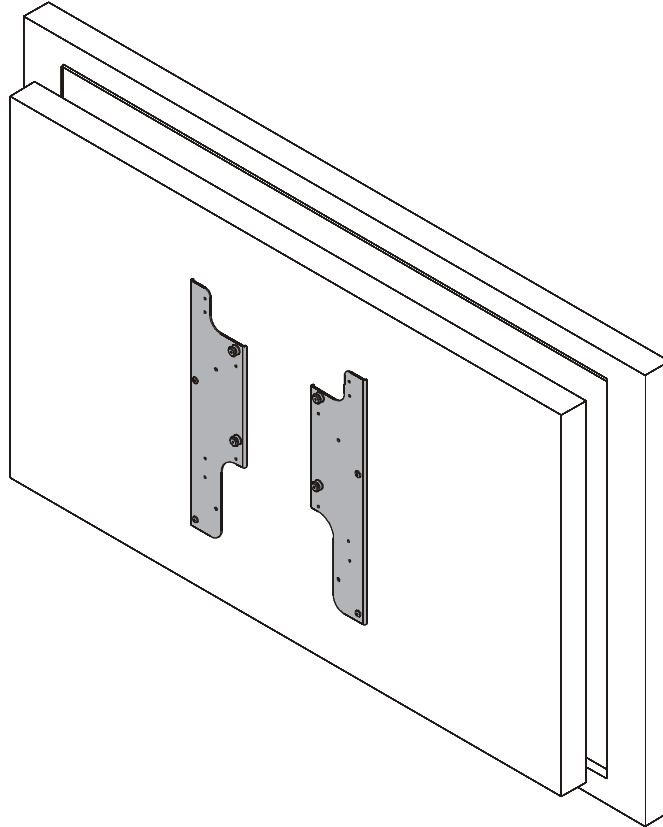


---

# INSTALLATION INSTRUCTIONS

---



---

## Medium Flat Panel Interface Bracket

---

## DISCLAIMER

Milestone AV Technologies and its affiliated corporations and subsidiaries (collectively "Milestone"), intend to make this manual accurate and complete. However, Milestone makes no claim that the information contained herein covers all details, conditions or variations, nor does it provide for every possible contingency in connection with the installation or use of this product. The information contained in this document is subject to change without notice or obligation of any kind. Milestone makes no representation of warranty, expressed or implied, regarding the information contained herein. Milestone assumes no responsibility for accuracy, completeness or sufficiency of the information contained in this document.

Chief® is a registered trademark of Milestone AV Technologies. All rights reserved.

## IMPORTANT WARNINGS AND CAUTIONS!

**WARNING:** A WARNING alerts you to the possibility of serious injury or death if you do not follow the instructions.

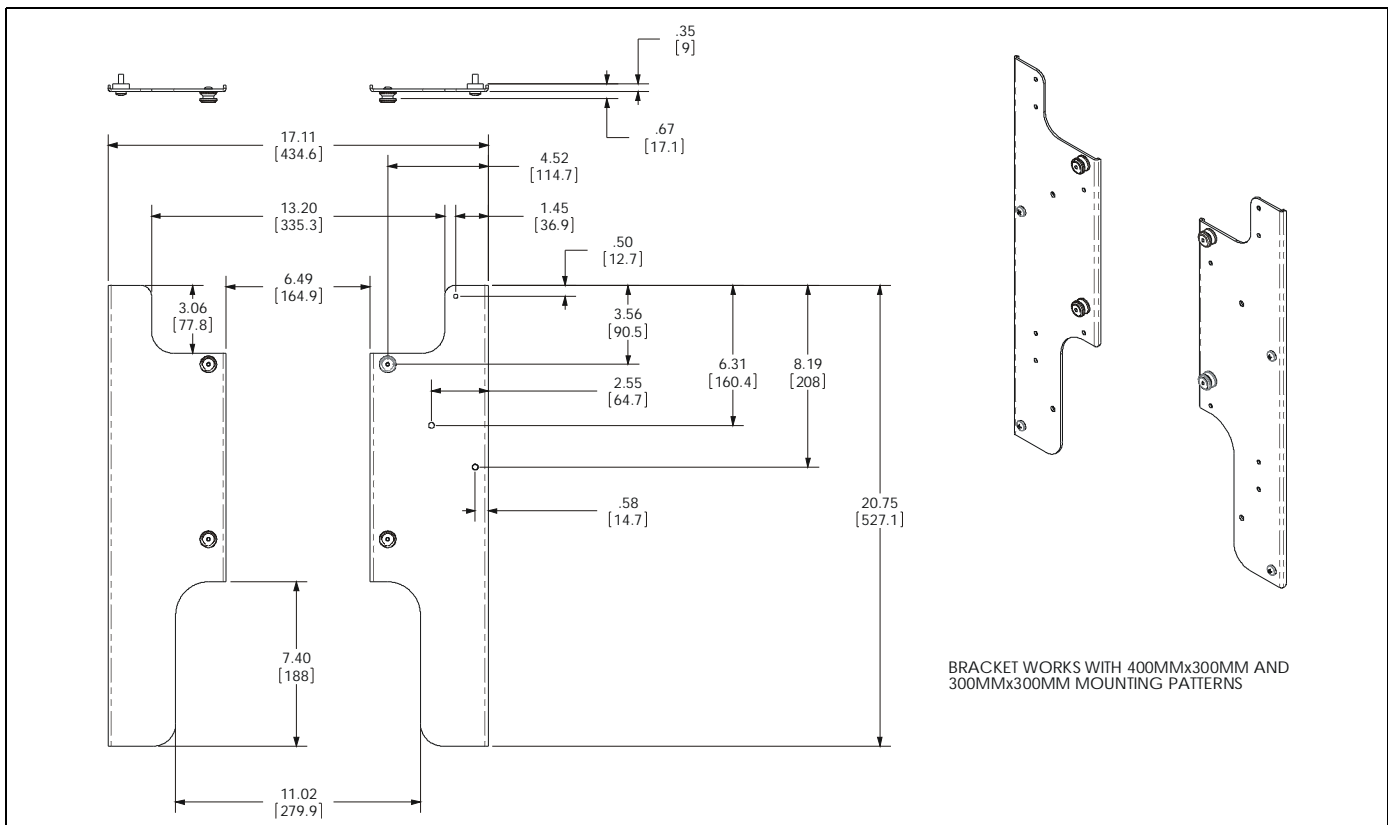
**CAUTION:** A CAUTION alerts you to the possibility of damage or destruction of equipment if you do not follow the corresponding instructions.

**WARNING:** Failure to read, thoroughly understand, and follow all instructions can result in serious personal injury, damage to equipment, or voiding of factory warranty! It is the installer's responsibility to make sure all components are properly assembled and installed using the instructions provided.

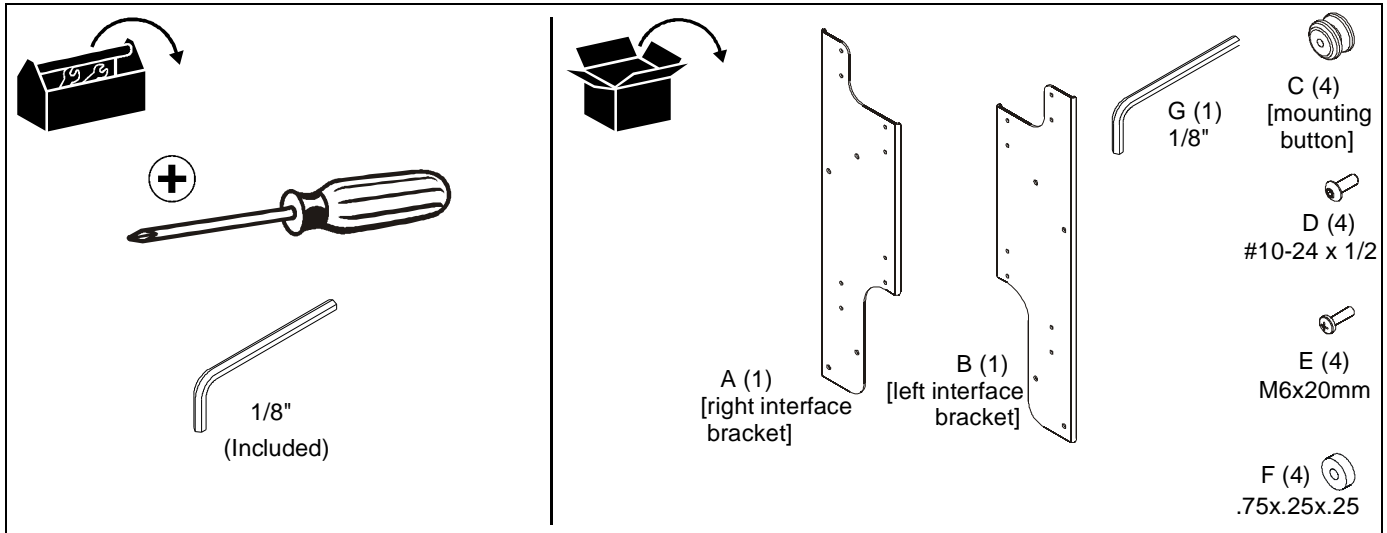
**WARNING:** Failure to provide adequate structural strength for this component can result in serious personal injury or damage to equipment! It is the installer's responsibility to make sure the structure to which this component is attached can support five times the combined weight of all equipment. Reinforce the structure as required before installing the component. The wall to which the mount is being attached may have a maximum drywall thickness of 5/8" (1.6cm).

**WARNING:** Exceeding the weight capacity can result in serious personal injury or damage to equipment! It is the installer's responsibility to make sure the maximum weight installed on the interface bracket doesn't exceed 125 lbs (56.7 kg).

## DIMENSIONS



**TOOLS / PARTS FOR INSTALLATION**



**ASSEMBLY AND INSTALLATION**

**NOTE:** Brackets will work with 400x300mm or 300x300mm mounting patterns.

1. Attach mounting buttons (C) to interface brackets (A and B) using four #10-24 x 1/2" button head cap screws (D) and a 1/8" hex key (G). (See Figure 1)

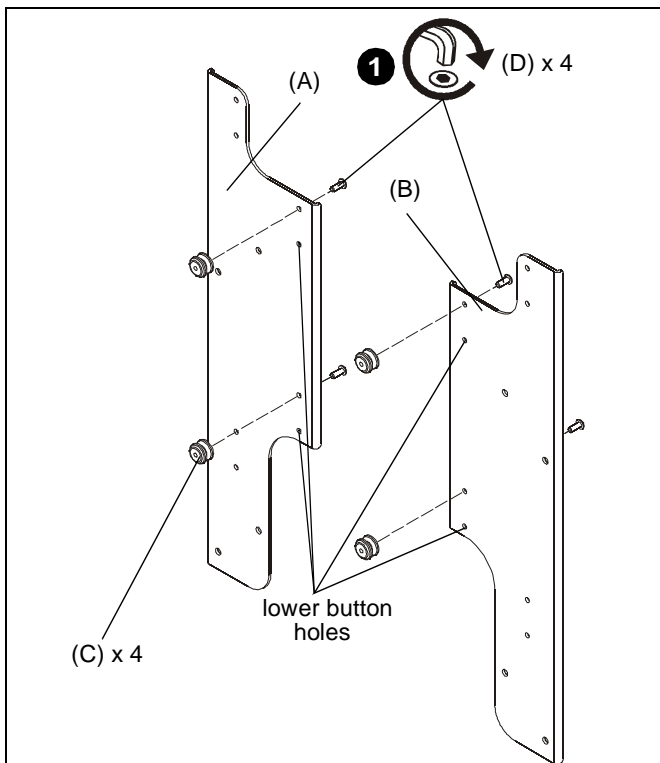
**NOTE:** Mounting buttons (C) may be installed to lower holes if more space is needed below display. (See Figure 1)

2. Attach the interface brackets (A and B) to the back of the display using four M6x20mm Phillips pan machine screws (E), four spacers (F) and a #2 screwdriver. (See Figure 2)

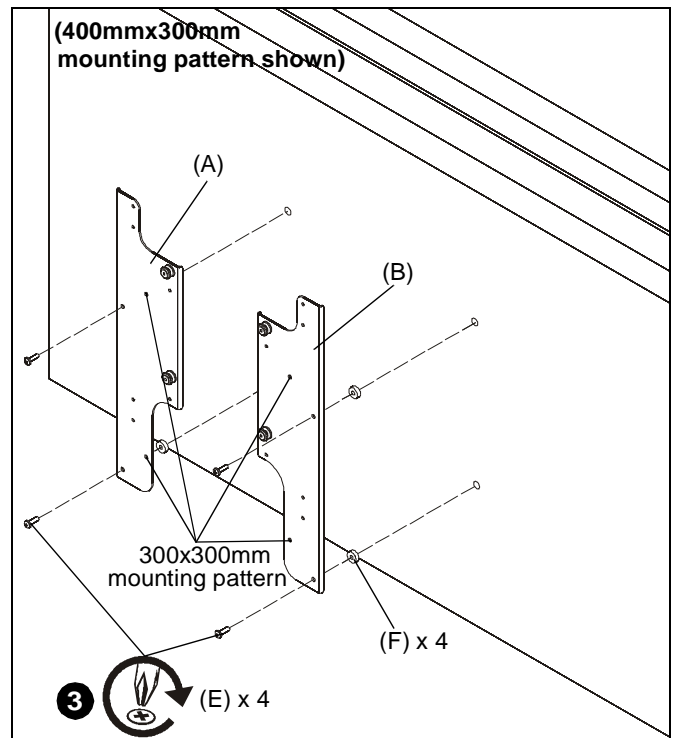


**CAUTION:** Using screws of improper length may damage your display! Proper screws will have adequate thread engagement without contacting bottom of display mounting holes.

**NOTE:** Use the inside holes for 300x300mm mounting patterns. (See Figure 2)



**Figure 1**



**Figure 2**

3. Complete the installation following the mount installation instructions.



Our Mounts. **Your Vision.**

Chief Manufacturing, a products division  
of Milestone AV Technologies

8804-002018 Rev00  
©2010 Milestone AV Technologies, a  
Duchossois Group Company  
[www.chiefmfg.com](http://www.chiefmfg.com)  
07/10

|                          |   |
|--------------------------|---|
| <b>USA/International</b> | <b>A</b> 8401 Eagle Creek Parkway, Savage, MN 55378<br><b>P</b> 800.582.6480 / 952.894.6280<br><b>F</b> 877.894.6918 / 952.894.6918                     |
| <b>Europe</b>            | <b>A</b> Fellenoord 130 5611 ZB EINDHOVEN, The Netherlands<br><b>P</b> +31 (0)40 2668620<br><b>F</b> +31 (0)40 2668615                                  |
| <b>Asia Pacific</b>      | <b>A</b> Office No. 1 on 12/F, Shatin Galleria<br>18-24 Shan Mei Street<br>Fotan, Shatin, Hong Kong<br><b>P</b> 852 2145 4099<br><b>F</b> 852 2145 4477 |

