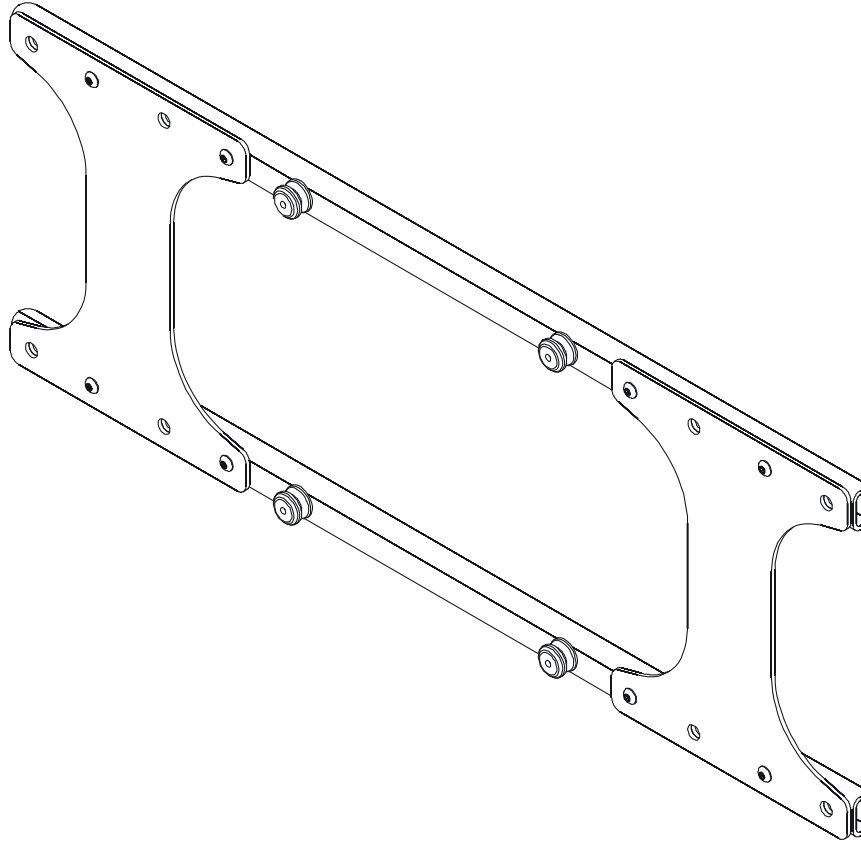

INSTALLATION INSTRUCTIONS



Large Flat Panel Interface Bracket

DISCLAIMER

Milestone AV Technologies and its affiliated corporations and subsidiaries (collectively "Milestone"), intend to make this manual accurate and complete. However, Milestone makes no claim that the information contained herein covers all details, conditions or variations, nor does it provide for every possible contingency in connection with the installation or use of this product. The information contained in this document is subject to change without notice or obligation of any kind. Milestone makes no representation of warranty, expressed or implied, regarding the information contained herein. Milestone assumes no responsibility for accuracy, completeness or sufficiency of the information contained in this document.

Chief® is a registered trademark of Milestone AV Technologies. All rights reserved.

! IMPORTANT WARNINGS AND CAUTIONS!

! WARNING: A WARNING alerts you to the possibility of serious injury or death if you do not follow the instructions.

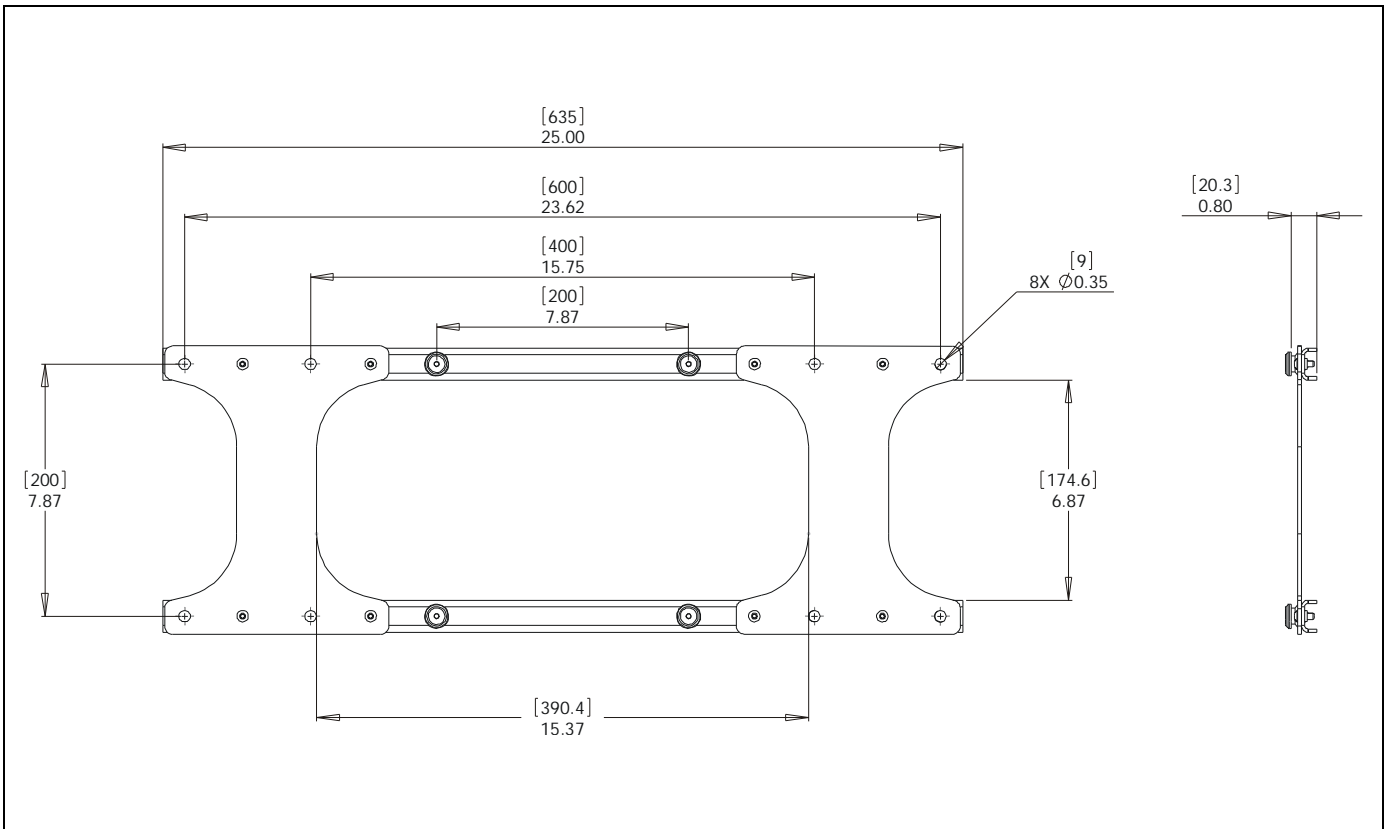
! CAUTION: A CAUTION alerts you to the possibility of damage or destruction of equipment if you do not follow the corresponding instructions.

! WARNING: Failure to read, thoroughly understand, and follow all instructions can result in serious personal injury, damage to equipment, or voiding of factory warranty! It is the installer's responsibility to make sure all components are properly assembled and installed using the instructions provided.

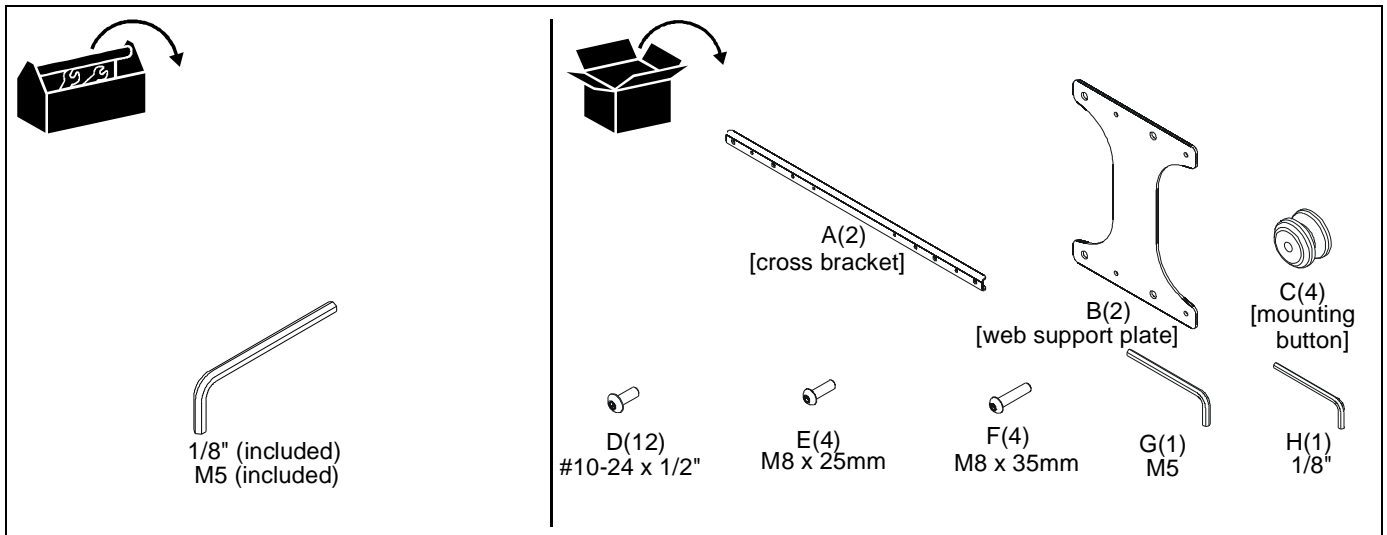
! WARNING: Failure to provide adequate structural strength for this component can result in serious personal injury or damage to equipment! It is the installer's responsibility to make sure the structure to which this component is attached can support five times the combined weight of all equipment. Reinforce the structure as required before installing the component.

! WARNING: Exceeding the weight capacity can result in serious personal injury or damage to equipment! It is the installer's responsibility to make sure the maximum weight installed on the interface doesn't exceed 150 lbs (68.04 kg).

DIMENSIONS



TOOLS / PARTS FOR INSTALLATION



ASSEMBLY AND INSTALLATION

1. Attach four mounting buttons (C) to cross brackets (A) using four #10-24 x 1/2" button head cap screws (D). (See Figure 1)
2. Attach web support plates (B) to cross brackets (A) using eight #10-24 x 1/2" button head cap screws (D). (See Figure 1)

NOTE: For 400 x 200mm displays, use the inner holes to connect to display. For 600 x 200mm displays, use the outer holes. (See Figure 2)

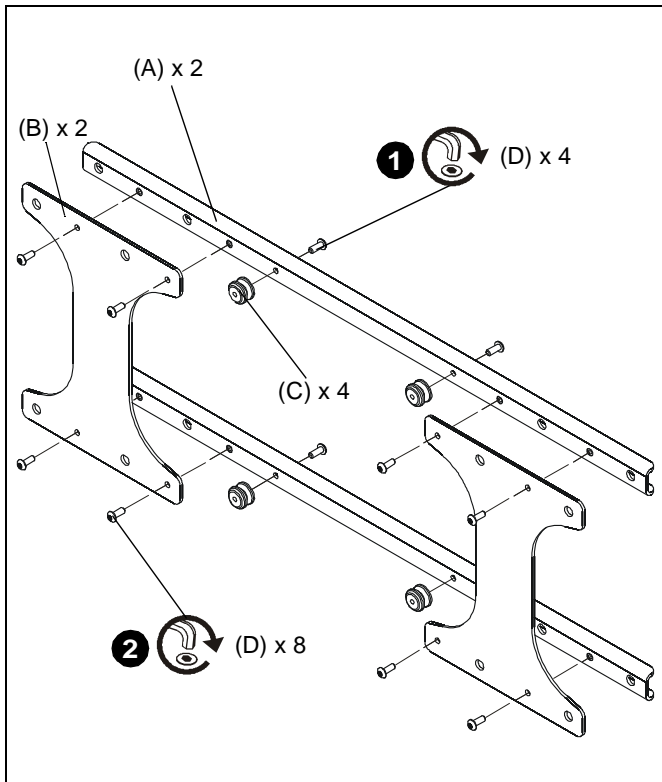


Figure 1

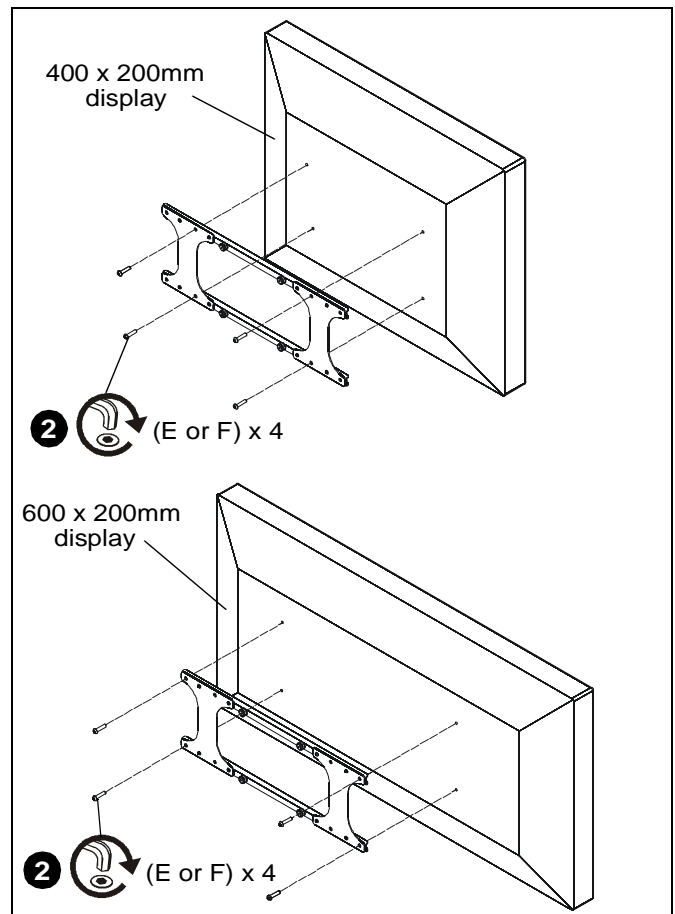


Figure 2

3. Attach interface bracket to back of display using four M8 button head cap screws (E or F). Use proper screw length based on depth of holes on display. (See Figure 2)
4. Complete the installation following the mount installation instructions.



Our Mounts. **Your Vision.**

Chief Manufacturing, a products division
of Milestone AV Technologies

8840-002002 Rev01
©2010 Milestone AV Technologies, a
Duchossois Group Company
www.chiefmfg.com
01/10

USA/International	A 8401 Eagle Creek Parkway, Savage, MN 55378 P 800.582.6480 / 952.894.6280 F 877.894.6918 / 952.894.6918
Europe	A Fellenoord 130 5611 ZB EINDHOVEN, The Netherlands P +31 (0)40 2668620 F +31 (0)40 2668615
Asia Pacific	A Office No. 1 on 12/F, Shatin Galleria 18-24 Shan Mei Street Fotan, Shatin, Hong Kong P 852 2145 4099 F 852 2145 4477

