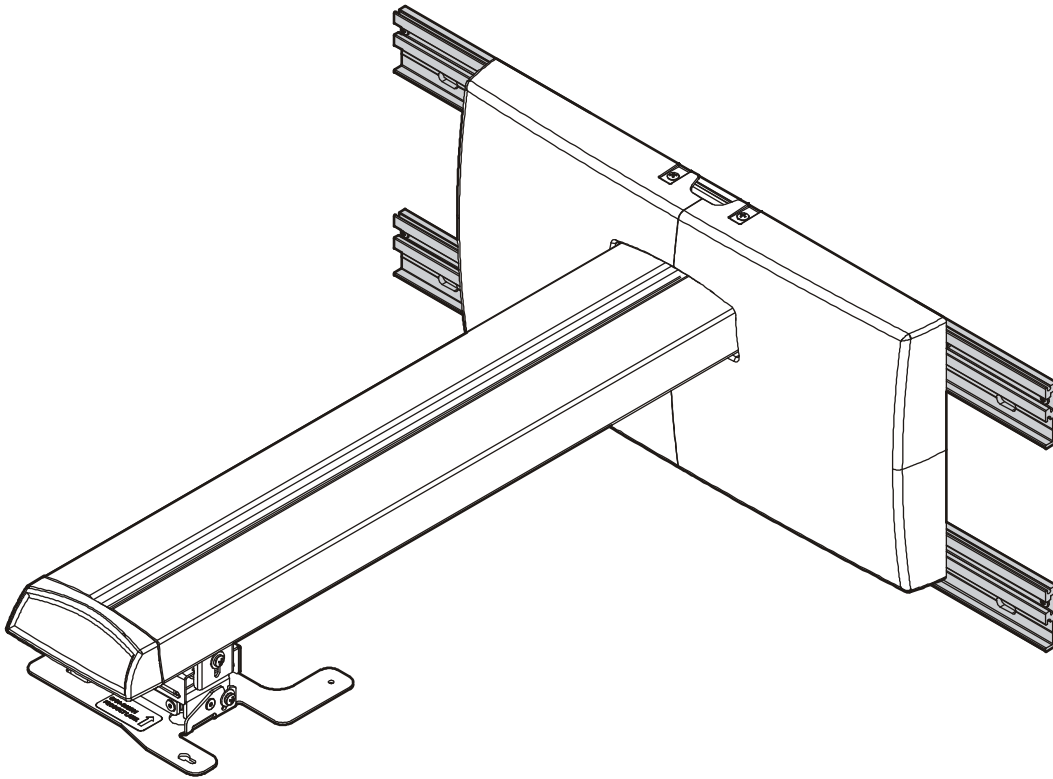


INSTALLATION INSTRUCTIONS



Lateral Shift Bracket


Enables mounting Dell S510/S510n projectors with existing S500wi wall arm


DISCLAIMER


Milestone AV Technologies and its affiliated corporations and subsidiaries (collectively "Milestone"), intend to make this manual accurate and complete. However, Milestone makes no claim that the information contained herein covers all details, conditions or variations, nor does it provide for every possible contingency in connection with the installation or use of this product. The information contained in this document is subject to change without notice or obligation of any kind. Milestone makes no representation of warranty, expressed or implied, regarding the information contained herein. Milestone assumes no responsibility for accuracy, completeness or sufficiency of the information contained in this document.


Chief® is a registered trademark of Milestone AV Technologies. All rights reserved.


IMPORTANT SAFETY INSTRUCTIONS


 **WARNING:** A WARNING alerts you to the possibility of serious injury or death if you do not follow the instructions.


 **CAUTION:** A CAUTION alerts you to the possibility of damage or destruction of equipment if you do not follow the corresponding instructions.


 **WARNING:** Failure to read, thoroughly understand, and follow all instructions can result in serious personal injury, damage to equipment, or voiding of factory warranty! It is the installer's responsibility to make sure all components are properly assembled and installed using the instructions provided.

 **WARNING:** Failure to provide adequate structural strength for this component can result in serious personal injury or damage to equipment! It is the installer's responsibility to make sure the structure to which this component is attached can support five times the combined weight of all equipment. Reinforce the structure as required before installing the component. The wall to which the mount is being attached may have a maximum drywall thickness of 5/8" (1.6cm) for wood stud installation, and 1/2" (1.3cm) minimum for steel stud installation.

 **WARNING:** Exceeding the weight capacity can result in serious personal injury or damage to equipment! It is the installer's responsibility to make sure the combined weight of all components attached to the MSP-DCCUST1LSB does not exceed 25 lbs (11.4 kg).

 **WARNING:** Use this mounting system only for its intended use as described in these instructions. Do not use attachments not recommended by the manufacturer.

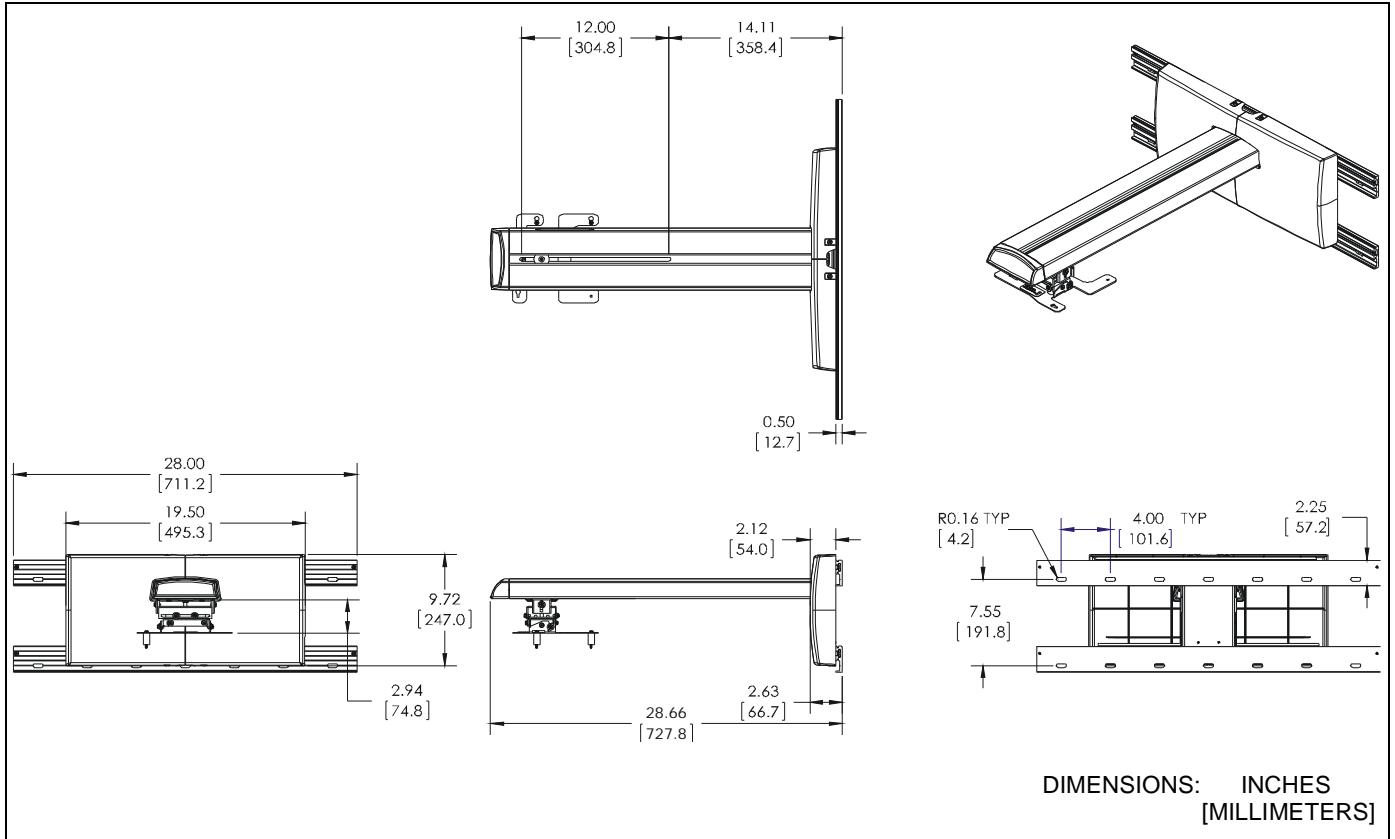
 **WARNING:** Never operate this mounting system if it is damaged. Return the mounting system to a service center for examination and repair.

 **WARNING:** Do not use this product outdoors.






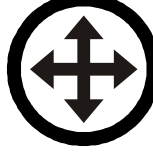






IMPORTANT ! : The MSP-DCCUST1LSB is designed to be mounted to an 8" concrete, 8"x8"x16" concrete block, 2" x 4" wood studs (16" on center), or 2" x 4"-25ga minimum steel studs wall.

--SAVE THESE INSTRUCTIONS--

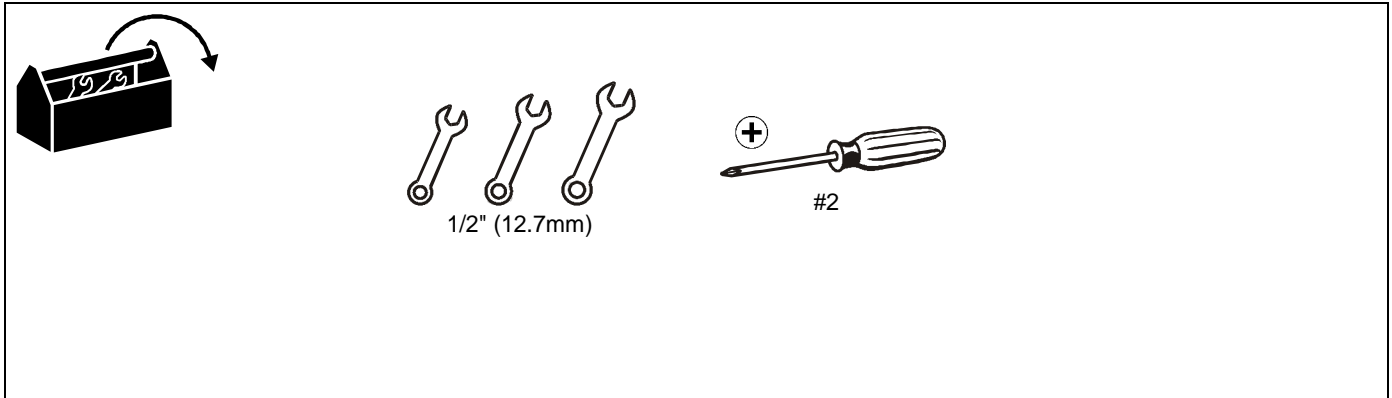
DIMENSIONS



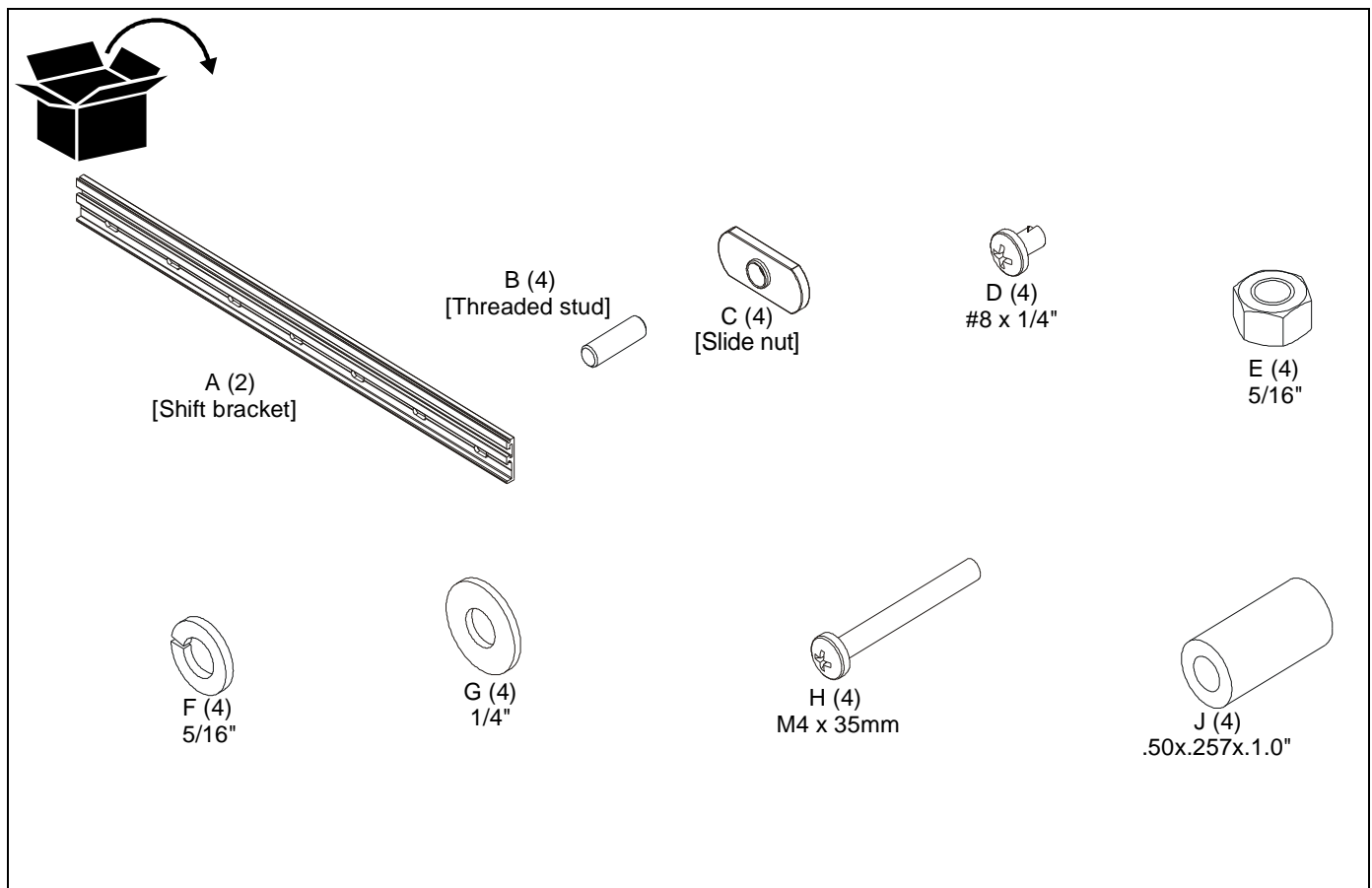
LEGEND

	Tighten Fastener Apretar elemento de fijación Befestigungsteil festziehen Apertar fixador Serrare il fissaggio Bevestiging vastdraaien Serrez les fixations		Pencil Mark Marcar con lápiz Stiftmarkierung Marcar com lápis Segno a matita Potloodmerkteken Marquage au crayon
	Loosen Fastener Aflojar elemento de fijación Befestigungsteil lösen Desapertar fixador Allentare il fissaggio Bevestiging losdraaien Desserrez les fixations		Drill Hole Perforar Bohrloch Fazer furo Praticare un foro Gat boren Percez un trou
	Phillips Screwdriver Destornillador Phillips Kreuzschlitzschraubendreher Chave de fendas Phillips Cacciavite a stella Kruiskopschroevendraaier Tournevis à pointe cruciforme		Adjust Ajustar Einstellen Ajustar Regolare Afstellen Ajuster
	Open-Ended Wrench Llave de boca Gabelschlüssel Chave de bocas Chiave a punte aperte Steeksleutel Clé à fourche		Remove Quitar Entfernen Remover Rimuovere Verwijderen Retirez
	By Hand A mano Von Hand Com a mão A mano Met de hand À la main		Optional Opcional Optional Opcional Opzionale Optie En option
	Hex-Head Wrench Llave de cabeza hexagonal Sechskantschlüssel Chave de cabeça sextavada Chiave esagonale Zeskantsleutel Clé à tête hexagonale		Security Wrench Llave de seguridad Sicherheitsschlüssel Chave de segurança Chiave di sicurezza Veiligheidsleutel Clé de sécurité

TOOLS REQUIRED FOR INSTALLATION



PARTS



INSTALLATION

Removing Projector from Short Throw Wall Mount

1. Hold projector while loosening four Phillips screws holding projector to the short throw wall mount interface bracket. (See Figure 1)

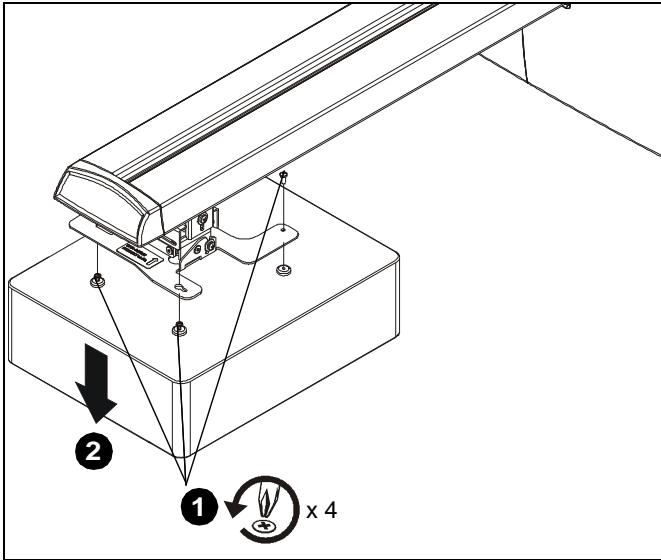


Figure 1

2. Remove projector from bracket.

Removing Short Throw Wall Mount

1. Remove and save hardware from short throw wall mount.
2. Remove short throw wall mount from wall.

Attaching Lateral Slide Brackets to Wall

IMPORTANT ! : Be sure that the slot in the slide brackets is ABOVE the mounting holes when attaching the slide brackets to the wall. (See Figure 2)

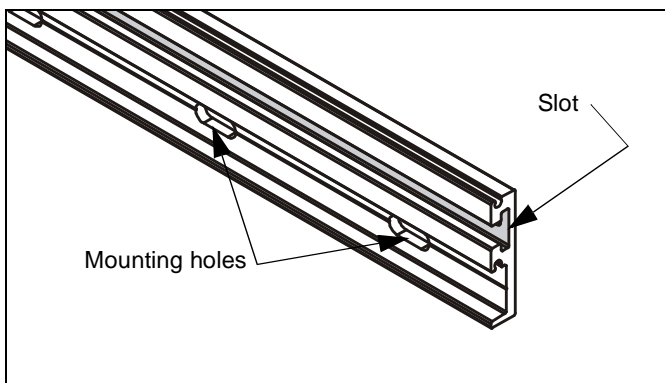


Figure 2

1. Center lateral slide brackets (A) over existing mounting holes and attach to wall using the same mounting holes and mounting hardware used on the short throw wall mount.

Preparing Lateral Slide Bracket Hardware

1. Install threaded stud (B) into slide nut (C). (See Figure 3)
2. Repeat Step 1 for remaining threaded studs and slide nuts.

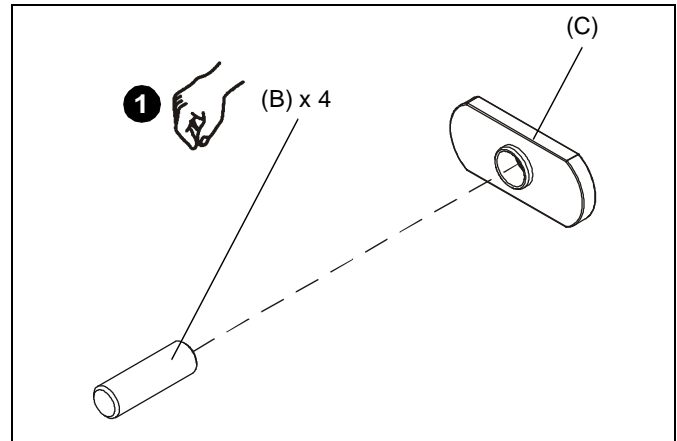


Figure 3

3. Insert two slide nuts into slot of each slide bracket (A). (See Figure 4)

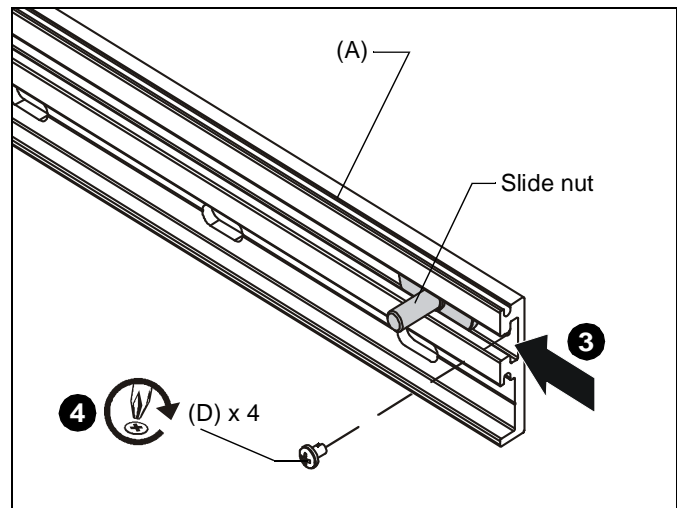


Figure 4

4. Insert one #8 x 1/4" Phillips tap screw (D) at each end of both lateral brackets to hold slide nuts in lateral brackets. (See Figure 4)

Attaching Short Throw Wall Mount to Slide Brackets

1. Attach short throw wall mount to slide nut studs in slide brackets using four 1/4" spacers (G), 5/16" split washers (F), and 5/16" hex nuts (E). (See Figure 5)

3. Complete installation of short throw wall mount following installation instructions included with wall mount.

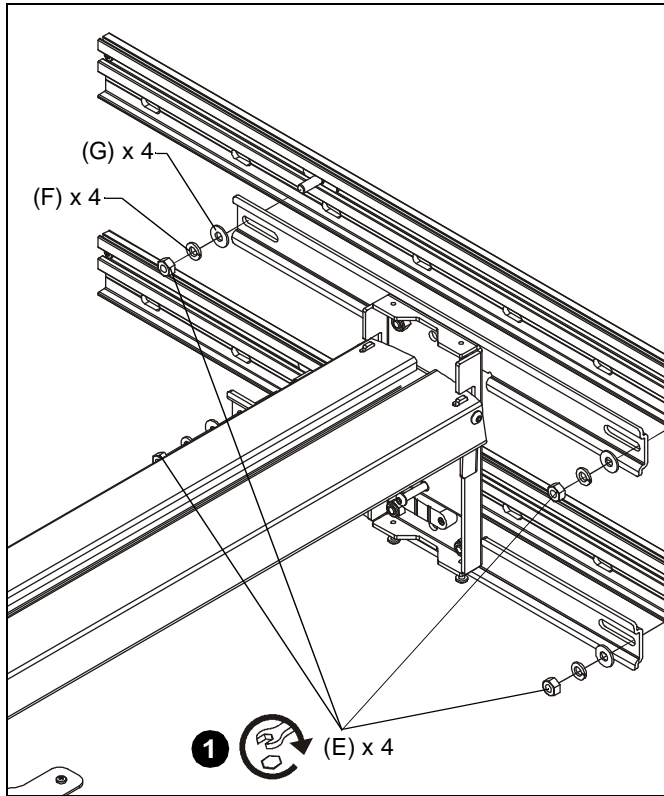


Figure 5

2. Reattach projector to wall mount projector interface bracket using four M4 x 35mm Phillips screws (H) and four spacers (J). (See Figure 6)

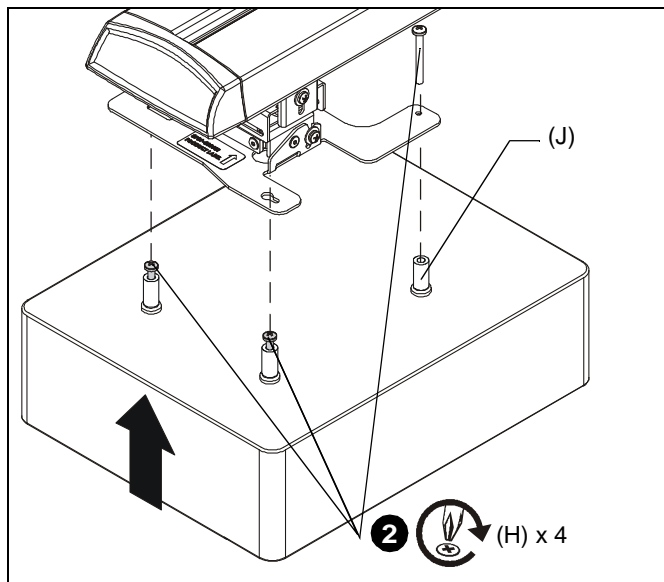


Figure 6



Our Mounts. **Your Vision.**

Chief, a products division of
Milestone AV Technologies

8800-002753 Rev00
©2015 Milestone AV Technologies
www.chiefmfg.com
06/15

USA/International	A 6436 City West Parkway, Eden Prairie, MN 55344 P 800.582.6480 / 952.225.6000 F 877.894.6918 / 952.894.6918
Europe	A Franklinstraat 14, 6003 DK Weert, Netherlands P +31 (0) 495 580 852 F +31 (0) 495 580 845
Asia Pacific	A Office No. 918 on 9/F, Shatin Galleria 18-24 Shan Mei Street Fotan, Shatin, Hong Kong P 852 2145 4099 F 852 2145 4477

