

# LINE UP BOTTOM EDGE OF WALL BRACKET WITH BOTTOM EDGE OF PAPER

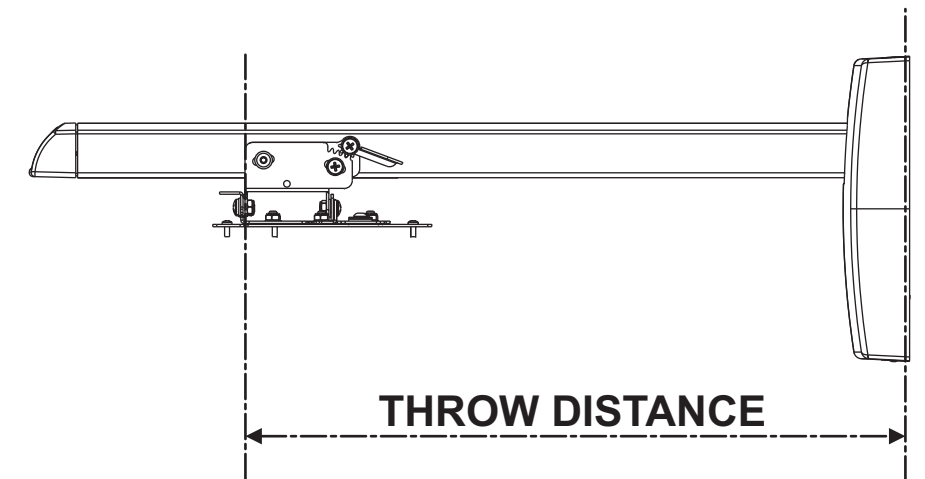
1-7/16"  
[36.5mm]

DRILL WITHIN  
SLOT

DRILL WITHIN  
SLOT

SCREEN DIAGONAL (16:10 aspect ratio) (inches)	THROW DISTANCE* (inches)	VERTICAL DISTANCE** (inches)
100	25.375	12.00
95	24.125	11.375
91	22.50	10.75
87WB	22.00	10.625
87	21.25	10.125
81	19.25	9.375
77	18.00	8.75

\***THROW DISTANCE** is measured from wall with attached bracket to front of projector mount.



\*\***VERTICAL DISTANCE** is measured from bottom of wall bracket (bottom edge of template) to top of projected image, **NOT** top of whiteboard frame.

CENTER OF MOUNT

CENTER OF IMAGE

DRILL WITHIN  
SLOT

DRILL WITHIN  
SLOT