

---

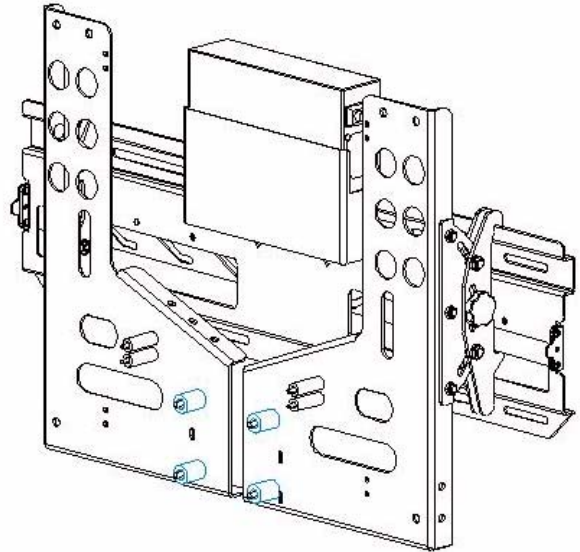
# INSTALLATION INSTRUCTIONS

---

## Tilt Wall Mount for DISH Network LCD30-500 and LCD40-500 Displays

The Display Mount is a quick disconnect mounting solution for large flat panel displays. The mount features pitch adjustment capability between zero (0) and fifteen (15) degrees.

Once the tilt brackets are attached to your display, simply mount the bracket securely on a wall, lock the display in place and attach your audio/video cables.



### BEFORE YOU BEGIN

---

- **Caution:** To prevent damage to the mount, which could void factory warranty and affect the attached equipment, thoroughly study all instructions and illustrations before you begin the installation. Pay particular attention to the “Important Warnings and Precautions” on Page 3.
- The mount is designed to be installed using wall studs or supporting framework. The fasteners used to anchor the mount must be capable of supporting four times the total weight of the equipment.
- It is recommended to find wall studs using an electronic studfinder, mechanical studfinder, or any other reliable method.
- The maximum weight to be installed on the mount for the LCD30-500 is 60 pounds (27.22 Kg).
- The maximum weight to be installed on the mount for the LCD40-500 is 80 pounds (36.29 Kg).
- If you have any questions about this installation, contact Chief Manufacturing at 1-800-582-6480.

## **LIMITED WARRANTY**

With the exception of electric, gas cylinder and one-way bearing mechanisms, Chief warrants its products to be free of defects in material and workmanship for 10 years. Electrical mechanisms (such as lift products) have a 1-year limited warranty. Gas cylinder and one-way bearing mechanisms have a 5-year limited warranty. All warranties are in effect for the original purchaser only. Chief disclaims liability for any modifications, improper installation and/or installations over the specified weight capacity. Chief also disclaims liability for any modifications made to electrical mechanisms, improper installation, incorrect voltage connection and/or installations over the stated weight capacity. All Electrical Mechanisms are intended for indoor use only and failure to comply will void warranty. Chief's sole warranty obligation to the owner of its products is to repair or replace (at Chief's discretion) defective products at no charge to the original purchaser within the warranty period. The purchaser is responsible for returning the product to Chief Manufacturing via prepaid shipping. To the maximum extent permitted by applicable law, Chief disclaims any other warranties, express or implied, including warranties of fitness for a particular purpose and warranties of merchantability. Chief will not be liable for any damages whatsoever arising out of the use or inability to use Chief products, even if Chief has been advised of the possibility of such damages. Chief bears no responsibility for incidental or consequential damages. This includes, but is not limited to, any labor charges for the repair of Chief products performed by someone other than a Chief employee. Because some states and jurisdictions do not allow the exclusion or limitation of liability for consequential or incidental damages, the above limitation may not apply. Chief will not be responsible for damage to Chief products caused by misuse, abuse, failure to properly package the product for return to Chief or for damage caused by carriers during shipment to or from Chief. Any repairs to Chief products required due to misuse, abuse or shipping damage or repairs of defective Chief product outside the warranty period will be performed at the current rates established by Chief for factory service.

## **DOCUMENT LIMIT OF LIABILITY/DISCLAIMER:**

This publication could include technical inaccuracies or typographical errors. Changes are periodically added to the information herein; these changes will be incorporated in new editions of the publication. Chief Manufacturing Inc. may make improvements and/or changes in the product(s) and/or the process(es) described in this publication at any time.

## **TRADEMARKS:**

Chief Manufacturing is a registered trademark of Chief Manufacturing.  
UL is a registered trademarks of Underwriters Laboratories Inc.

## IMPORTANT WARNINGS AND PRECAUTIONS!

**WARNING:** A **WARNING** alerts you to the possibility of serious injury or death if you do not follow the instructions.

**CAUTION:** A **CAUTION** alerts you to the possibility of damage or destruction of equipment if you do not follow the corresponding instructions.

- **WARNING:** Be aware also of the potential for personal injury or damage to the unit if it is not adequately mounted.
- **WARNING:** The installer is responsible for verifying that the structure to which the mount is anchored will safely support four times the combined load of all attached components or other equipment.
- **WARNING:** The maximum weight to be installed on the mount for the LCD30-500 is 60 lbs. (27.22 kg), which is the maximum load capacity of the mount.
- **WARNING:** The maximum weight to be installed on the mount for the LCD40-500 is 80 lbs. (36.29 kg), which is the maximum load capacity of the mount.
- **WARNING:** Watch for pinch points. Do not put your fingers between movable parts.
- **WARNING:** Make sure the mount and brackets are correctly oriented.
- **CAUTION:** Check the unit for shipping damage before you begin the installation.
- **CAUTION:** DO NOT OVER TIGHTEN mounting screws.

## CONTENTS

TOOLS REQUIRED FOR ASSEMBLY .....	4
PARTS .....	4
INSPECT THE MOUNT BEFORE ASSEMBLY .....	6
INSTALL INTERFACE BRACKETS ON DISPLAY .....	6
30" LCD Interface Bracket Installation .....	7
40" LCD Interface Bracket Installation .....	8
INSTALL WALL PLATE .....	9
INSTALL DISPLAY.....	10

## TOOLS REQUIRED FOR INSTALLATION

- Phillips screwdrivers, No. 1 and No. 2 TIP
- Drill and bit set
- Wrench set
- Stud Finder

**NOTE:** Other tools may be required depending on the method of installation.

## PARTS

**Table 1: Parts**

Ref	Description	Qty	Ref	Description	Qty
10	PLATE, Wall with two latches attached	1	110	KEY, Allen, M3	1
20	BRACKET, LCD Left	1	120	KEY, Allen, M5	1
30	BRACKET, LCD Right	1	130	BRACKET, Power Box	1
40	SCREW, Cap, M4 x 45mm Socket	4	140	NUT, Nylock, 10-24	2
50	SCREW, Cap, M8 x 20mm	2	150	WASHER, Flat #10	2
60	SCREW, Phillips Head Cap M4 x 35mm	4	160	SCREW, Phillips Head Cap 10-24 x 5/8"	2
70	SPACER, Nylon, .74 x .390 x 1.0	4	170	WASHER, Flat, #8	8
80	SPACER, Nylon, .625 x .328 x .25	2	180	BUMPER, Thin Rubber	2
90	SPACER, Nylon, .50 x .390 x 1.375	4	190	BOLT, Lag, 5/16" x 2.5"	4
100	BUMPER, Recessed, Rubber	2	200	WASHER, Flat, 5/16"	4

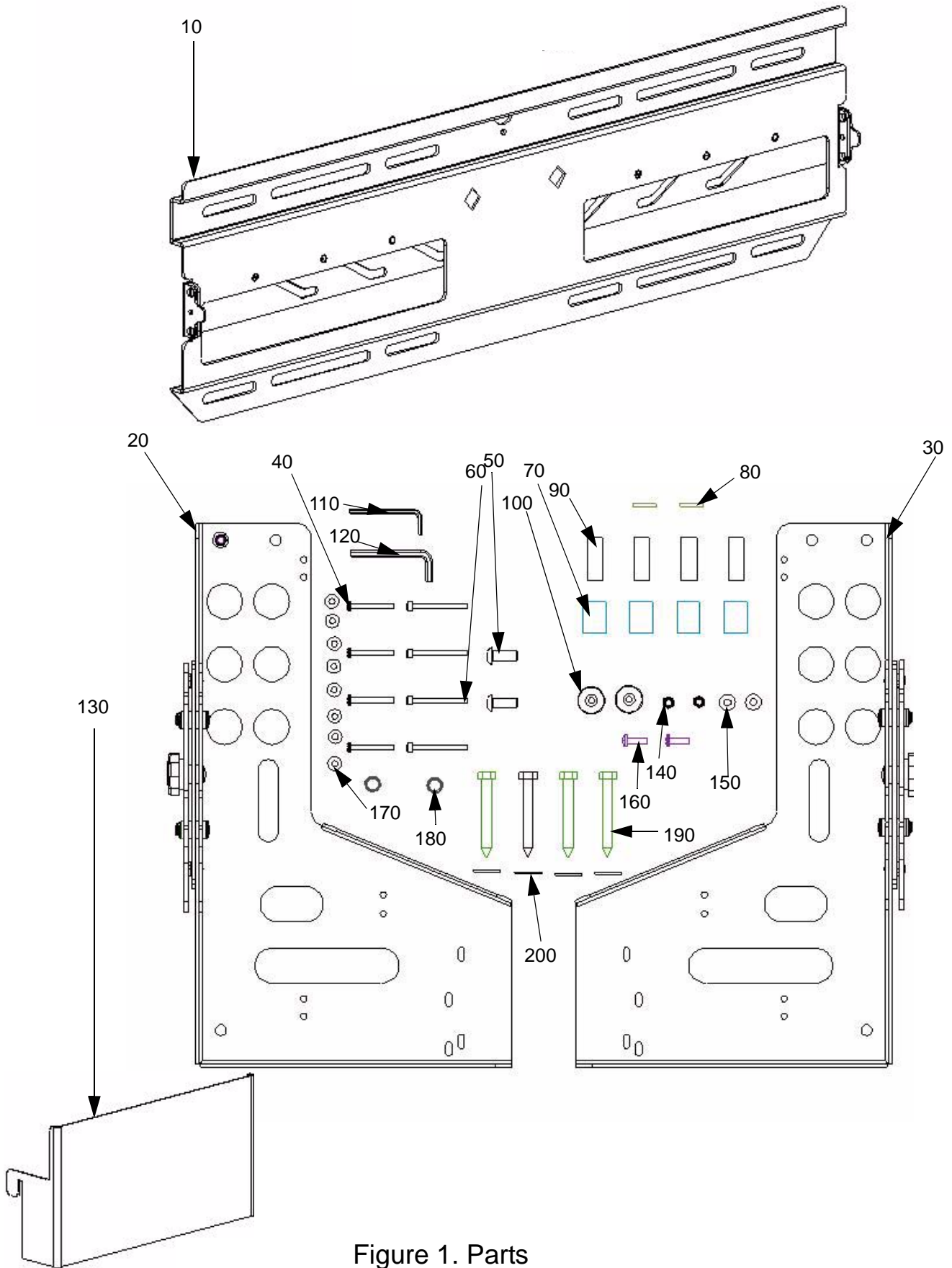


Figure 1. Parts

## INSPECT THE MOUNT BEFORE ASSEMBLY

1. Carefully inspect the mount for shipping damage (see Figure 1). If any damage is apparent, call your carrier claims agent and do not continue with the installation until the carrier has reviewed the damage.

**NOTE:** Read all assembly instructions before starting assembly.

2. Carefully inspect mount components for damage.

## INSTALL INTERFACE BRACKETS ON DISPLAY

Install the interface brackets as follows:

1. Attach power cable and system cables to the back of the LCD display before installing brackets.
2. For 30" LCD display installations, proceed to "30" LCD Interface Bracket Installation" on page 7, for 40" installations proceed to "40" LCD Interface Bracket Installation" on page 8.

### 30" LCD Interface Bracket Installation

1. Insert black recessed rubber bumpers (100) using two 10-24 Phillips head screws (160), #10 flat washer (150) and Nylock nut (140) in top hole of each interface bracket (20 and 30)(see Figure 2).
2. Using M4 screws (40 and 60) and Nylon spacers (70 and 90), attach interface brackets to the back of the LCD display (see Figure 3 and Figure 4).

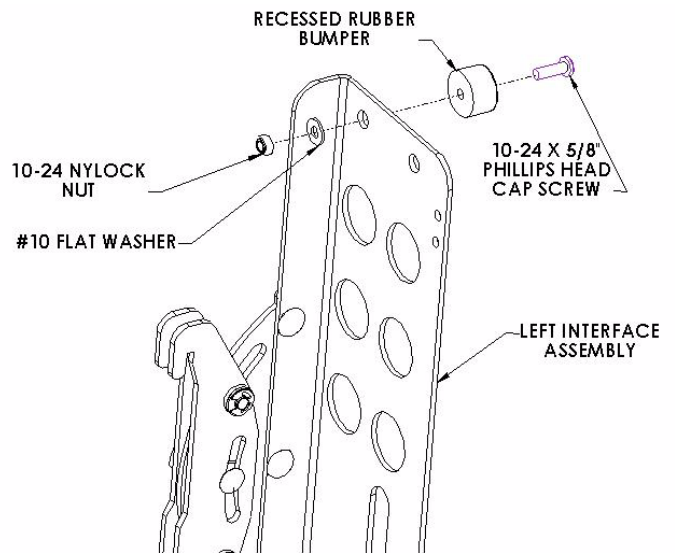


Figure 2. Recessed Bumper Installation

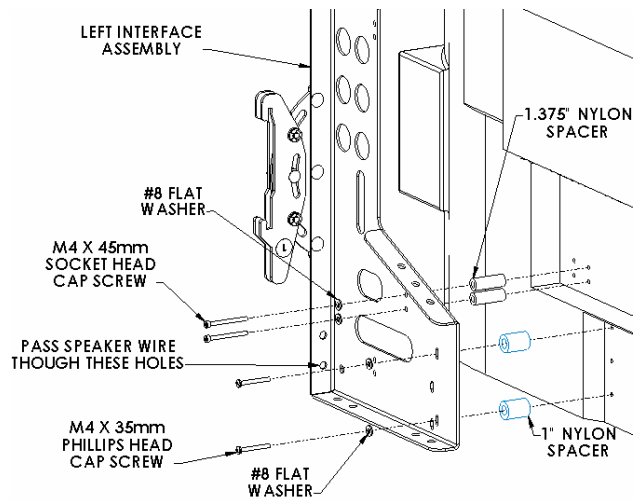


Figure 3. 30" Interface Bracket Attachment

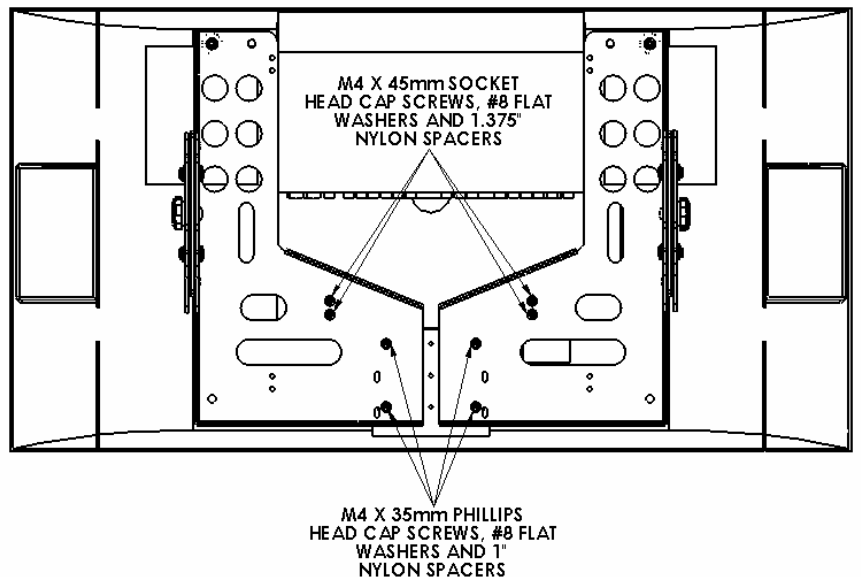


Figure 4. Attach 30" Interface Bracket to Display

### 40" LCD Interface Bracket Installation

- Using two M8 screws (50) with two .25" Nylon spacers (80) on top and four M4 screws (40) with four 1.375" Nylon spacers (90) on the bottom, attach interface brackets to the back of the LCD display (see Figure 5 and Figure 6).

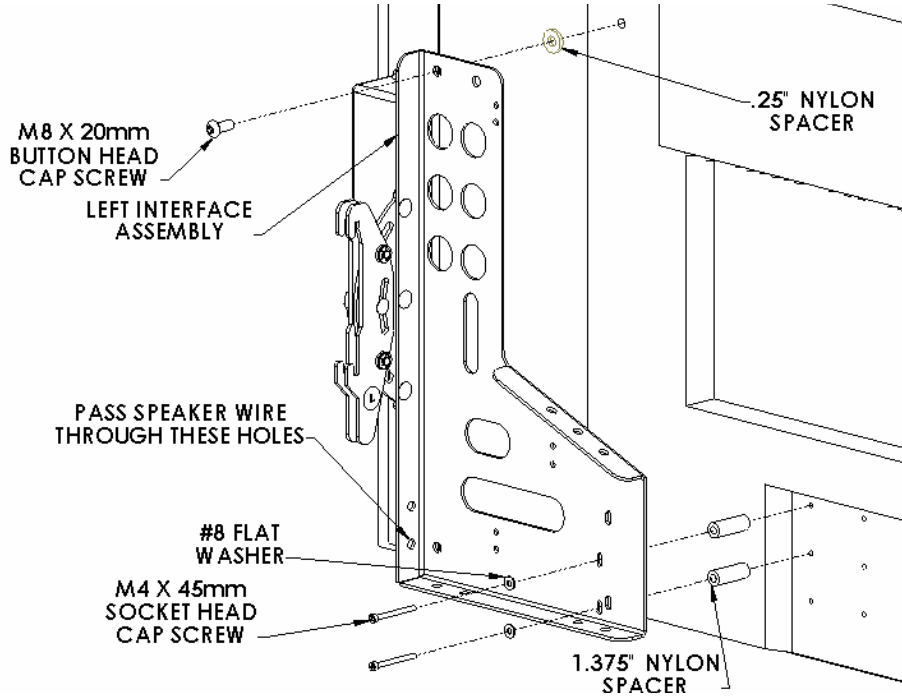


Figure 5. 40" Interface Bracket Attachment

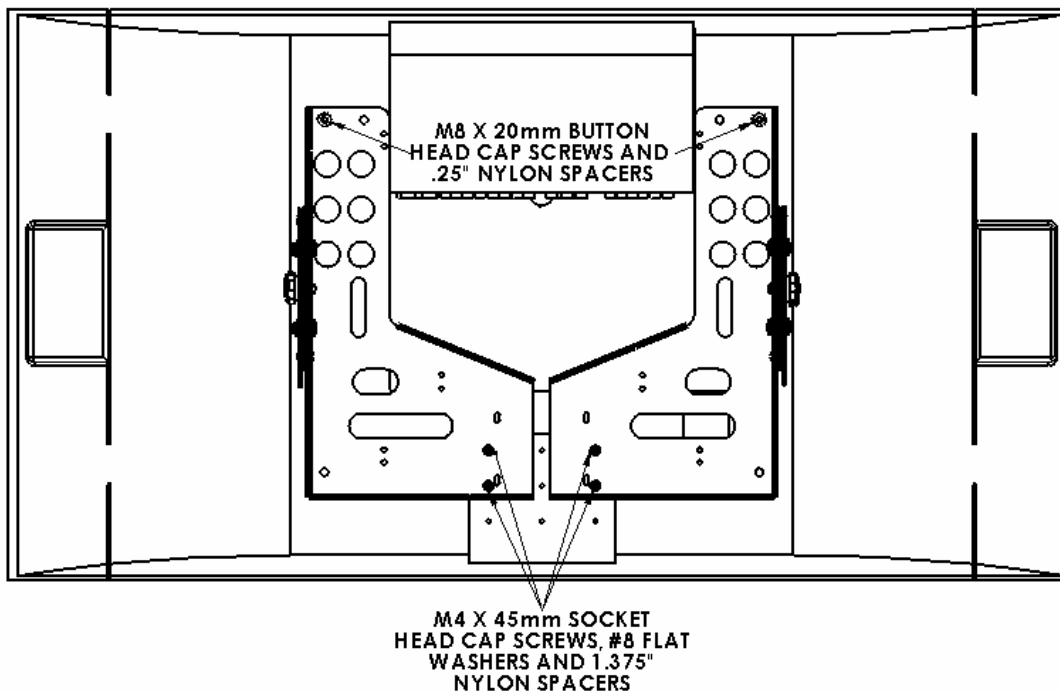


Figure 6. Attach 40" Interface Bracket to Display



## INSTALL WALL PLATE

Install the wall plate as follows:

**WARNING: It is the responsibility of the installer to verify that the structure to which the mount is anchored will safely support four times the combined load of all attached components and equipment.**

1. Determine a suitable mounting location by using a stud-finder and lift the wall plate (10) into place (see Figure 7).
2. Using a small nail or screw (not provided) in the center hole, lightly hold wall plate at the mounting location (see Figure 8).
3. Level the wall plate (10) and drill pilot holes for anchoring the wall plate. If drilling into wood studs, use a 15/64" drill bit.
4. Using four 5/16 x 2 1/2" lag bolts (190) and four 5/16" washers (200), install the wall plate on the wall.
5. Slide the latches to the outside (see Figure 9).

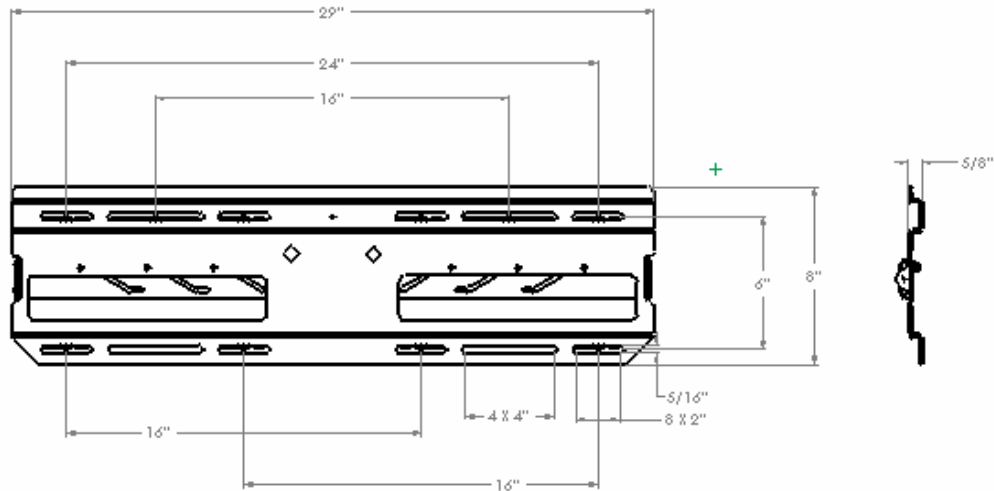


Figure 7. Wall Plate Dimensions

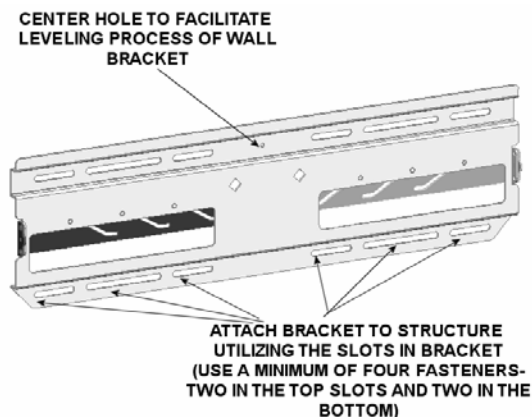


Figure 8. Wall Plate Installation

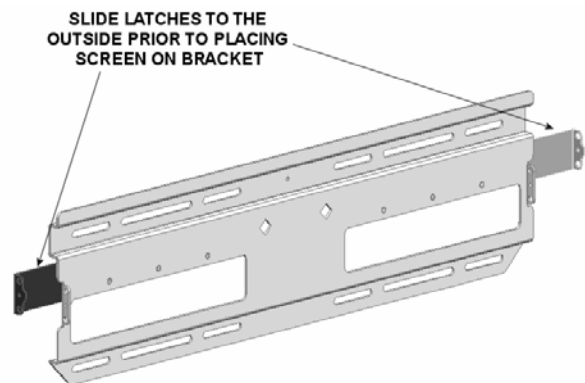


Figure 9. Slide Latches Outward

## INSTALL DISPLAY

Install the display as follows:

1. With power adapter cord passing over the top of the display and with the aid of another person, lift the display up to the wall.
2. Align the slots of the bracket assemblies with the hooked edge of the wall plate.
3. Slide the safety latch on both sides of the wall plate to secure the display, making sure the latches are completely engaged (see Figure 10). Note: Screws may be inserted for added security.
4. Connect any additional input/output cables to the Media Box.
5. Install the Power Box Bracket (130) to the wall plate (10) by aligning the slots of the adapter with the hooked edge of the mount (see Figure 11).
5. Place two thin rubber bumpers 180) on power box to protect back of screen and power box from damage (see Figure 11).

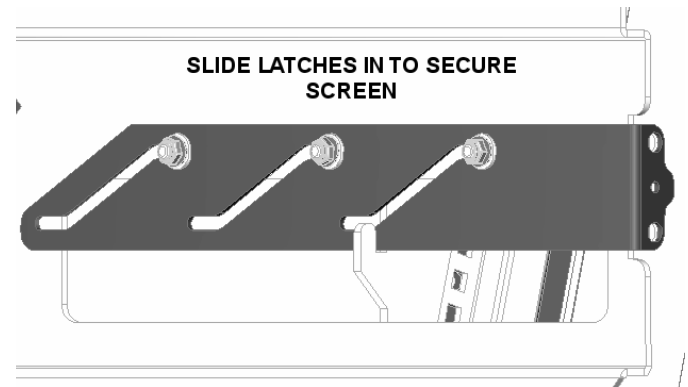


Figure 10. Slide Latches to Secure Display

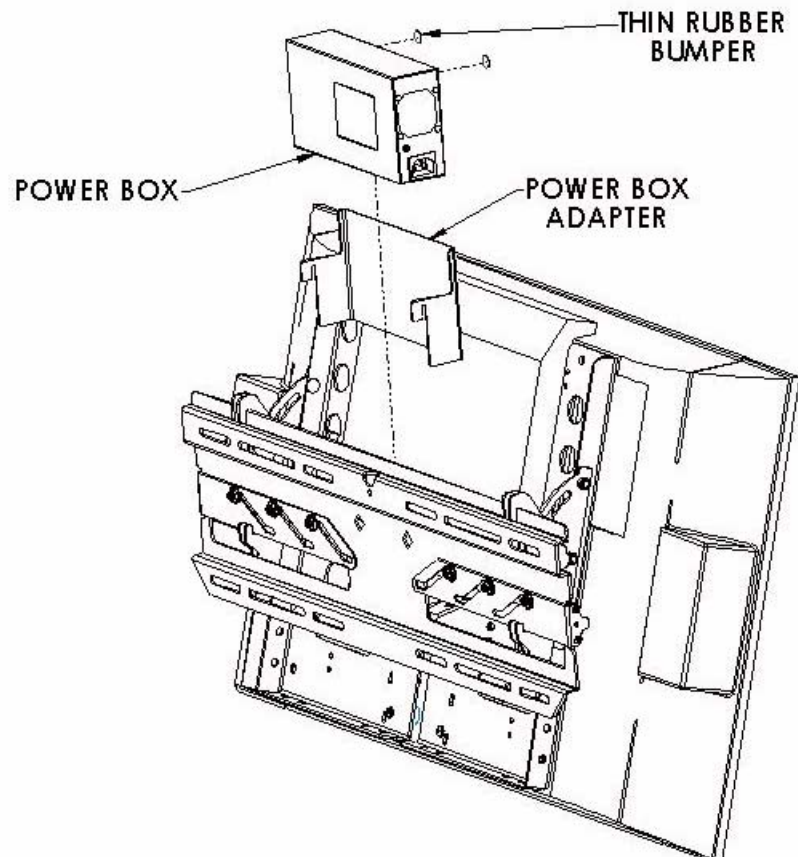


Figure 11. Adapter Box Installation