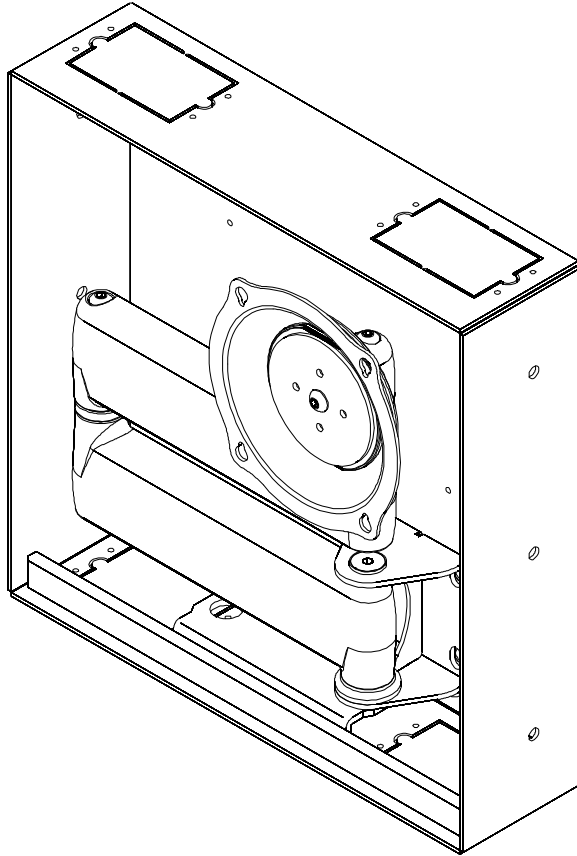


---

# INSTALLATION INSTRUCTIONS

---



---

## UNIVERSAL IN-WALL SWING ARM KIT

---

## DISCLAIMER

Milestone AV Technologies, and its affiliated corporations and subsidiaries (collectively, "Milestone"), intend to make this manual accurate and complete. However, Milestone makes no claim that the information contained herein covers all details, conditions or variations, nor does it provide for every possible contingency in connection with the installation or use of this product. The information contained in this document is subject to change without notice or obligation of any kind. Milestone makes no representation of warranty, expressed or implied, regarding the information contained herein. Milestone assumes no responsibility for accuracy, completeness or sufficiency of the information contained in this document.

®Chief is a registered trademark of Milestone AV Technologies. All rights reserved.

## IMPORTANT WARNINGS AND CAUTIONS!



**WARNING:** A WARNING alerts you to the possibility of serious injury or death if you do not follow the instructions.



**CAUTION:** A CAUTION alerts you to the possibility of damage or destruction of equipment if you do not follow the corresponding instructions.



**WARNING:** Failure to read, thoroughly understand, and follow all instructions can result in serious personal injury, damage to equipment, or voiding of factory warranty! It is the installer's responsibility to make sure all components are properly assembled and installed using the instructions provided.



**CAUTION:** This equipment must be installed and assembled by qualified service personnel in accordance with local building codes.



**WARNING:** Failure to provide adequate structural strength for this accessory can result in serious personal injury or damage to equipment! It is the installer's responsibility to make sure the structure to which this accessory is attached can support the combined weight of the box and all equipment not to exceed 75 lbs (34.02 kg).

**IMPORTANT ! :** SUITABLE FOR USE IN OTHER ENVIRONMENTAL AIR SPACE IN ACCORDANCE WITH SECTION 300.22, (C) OF THE NATIONAL ELECTRICAL CODE.

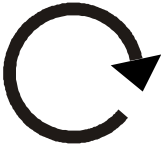
**NOTE:** The equipment shall be installed and assembled by qualified service personnel.


**NOTE:** Knockouts are provided for ease of installation. Any unused knockouts that have been punched are to be closed up with a metal plug.


**NOTE:** Ambient Temperature - The manufacturer's maximum ambient temperature -40°C so that the installer is able to determine acceptability of use of Accessories and components in the operating.


**NOTE:** Spacings - Minimum spacings between the Accessories and components and the housing for Information Technology Communication Equipment shall be maintained for safe operation of the equipment when installed in accordance with the National Electric Code, ANSI/NFPA 70-1999.


**LEGEND**


	<b>Tighten Fastener</b>
	Apretar elemento de fijación
	Befestigungsteil festziehen
	Apertar fixador
	Serrare il fissaggio
	Bevestiging vastdraaien
Serrez les fixations	

	<b>Pencil Mark</b>
	Marcar con lápiz
	Stiftmarkierung
	Marcar com lápis
	Segno a matita
	Potloodmerkten
Marquage au crayon	

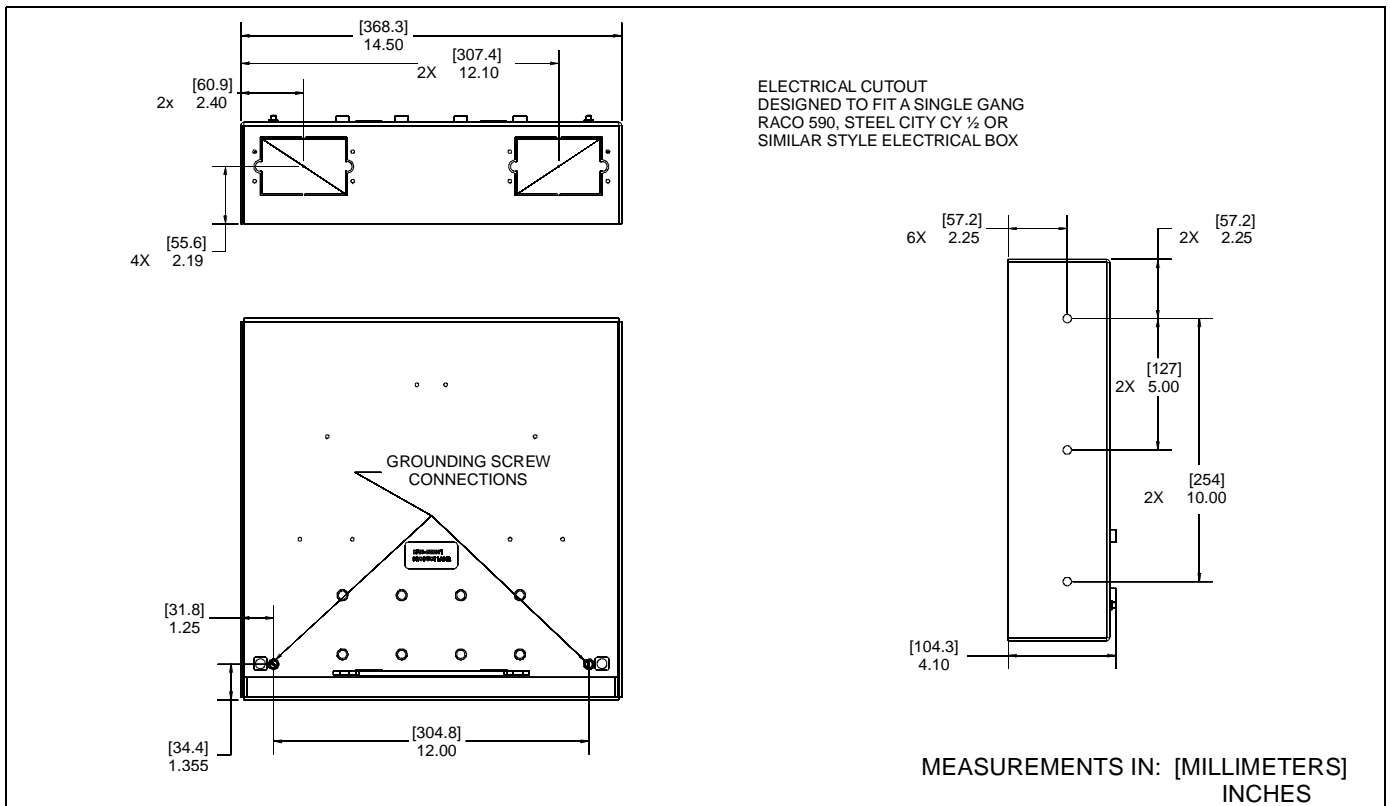
	<b>Loosen Fastener</b>
	Aflojar elemento de fijación
	Befestigungsteil lösen
	Desapertar fixador
	Allentare il fissaggio
	Bevestiging losdraaien
Desserrez les fixations	

	<b>Drill Hole</b>
	Perforar
	Bohrloch
	Fazer furo
	Praticare un foro
	Gat boren
Percez un trou	

	<b>Phillips Screwdriver</b>
	Destornillador Phillips
	Kreuzschlitzschraubendreher
	Chave de fendas Phillips
	Cacciavite a stella
	Kruiskopschroevendraaier
Tournevis à pointe cruciforme	

	<b>Hex-Head Wrench</b>
	Llave de cabeza hexagonal
	Sechskantschlüssel
	Chave de cabeça sextavada
	Chiave esagonale
	Zeskantsleutel
Clé à tête hexagonale	

**DIMENSIONS -- IN-WALL BOX**



## SITE LOCATION AND PREPARATION



**WARNING:** IMPROPER INSTALLATION CAN RESULT DEATH OR SERIOUS PERSONAL INJURY! This accessory should be installed by qualified personnel.

### Locate and Prepare Mounting Site

1. Identify a suitable wall location for the in-wall enclosure.

**IMPORTANT ! :** The MSP-BBIW1 is designed for in-wall installation between two wood studs, 16" on center. Inadequate space will remain on each side between studs for electrical wires/cables, plumbing, ductwork, or insulation. Locate accordingly!



**WARNING:** ELECTRICAL SHOCK HAZARD! CUTTING OR DRILLING INTO ELECTRICAL WIRES OR CABLES CAN CAUSE DEATH OR SERIOUS PERSONAL INJURY! ALWAYS make certain area behind mounting surfaces is free of electrical wires and cables before cutting, drilling, or installing fasteners.



**WARNING:** EXPLOSION AND FIRE HAZARD! CUTTING OR DRILLING INTO GAS PLUMBING CAN CAUSE DEATH OR SERIOUS PERSONAL INJURY! ALWAYS make certain area behind mounting surfaces is free of gas, water, waste, or any other plumbing before cutting, drilling, or installing fasteners.

2. Using a stud sensor, locate and mark studs.
3. Center and level housing between marked studs.
4. Using housing as a template, draw pencil line completely around housing.

**NOTE:** Housing is designed to fit between and directly against two adjacent wall studs.

5. Cut drywall on *outside* edge of line and remove.

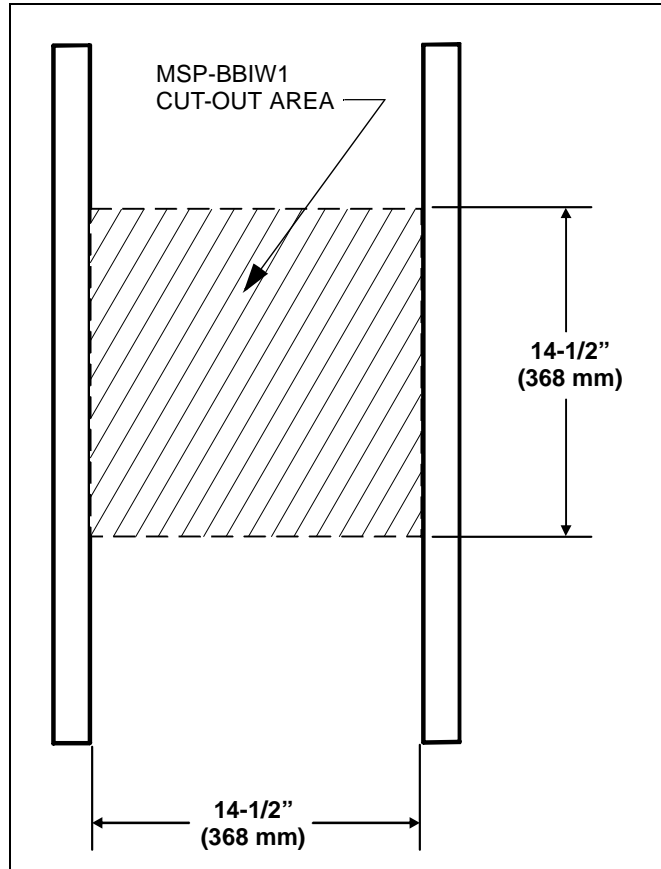
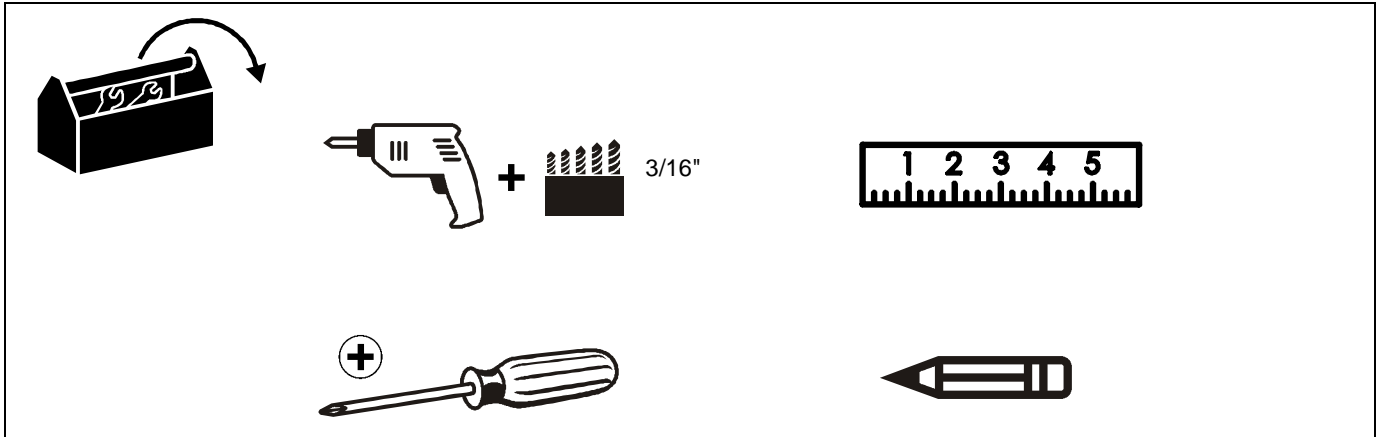
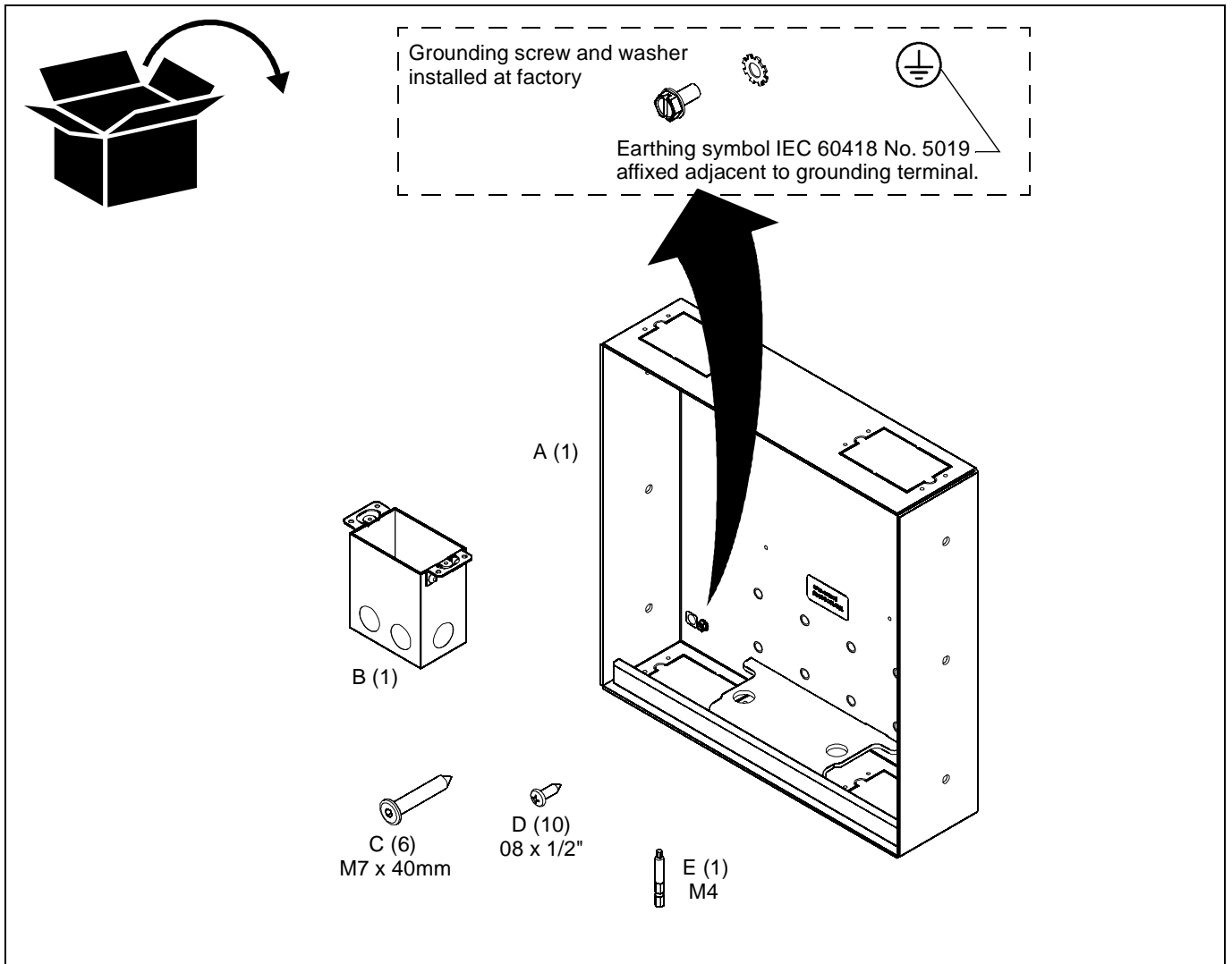


Figure 1

### TOOLS REQUIRED FOR INSTALLATION



### PARTS -- IN-WALL ENCLOSURE



## Installing In-Wall Enclosure

1. Install junction box (B) into the in-wall box (A) using four 08 x 1/2" Phillips pan head tap screws (D). (See Figure 2)

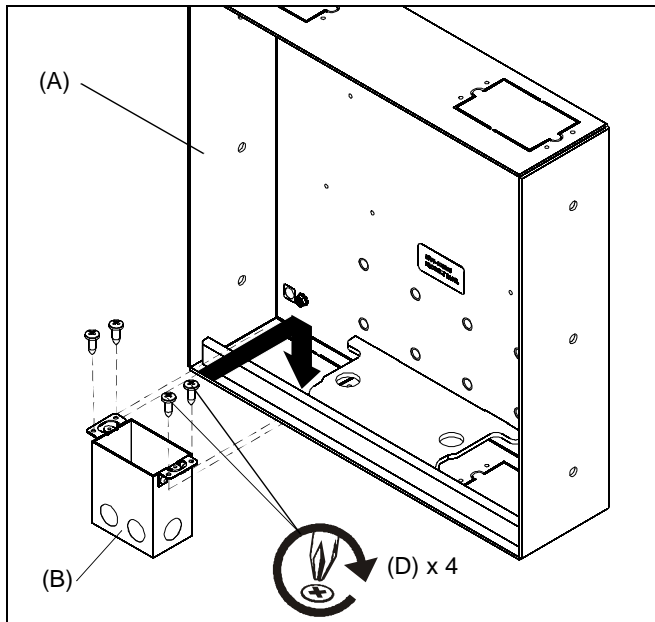


Figure 2

2. Connect electrical wiring.
3. Route audio/visual cables into housing.
4. Center in-wall box in opening and insert into opening. Align front of box with front face of wall. (See Figure 3)

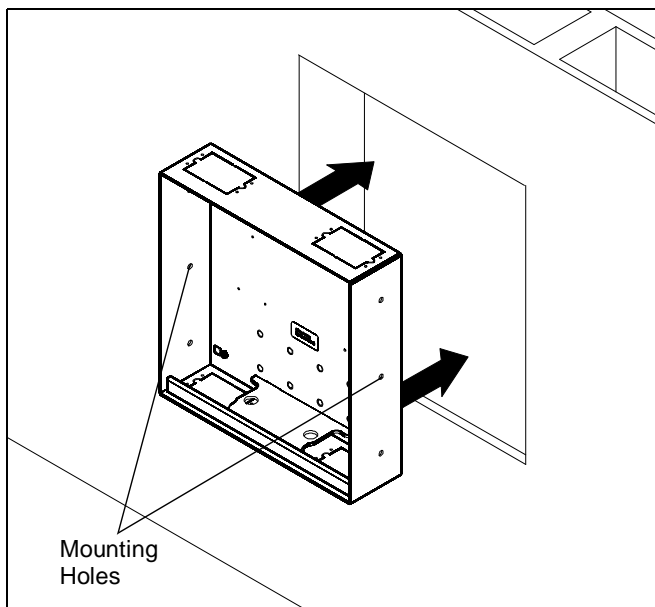


Figure 3



**WARNING:** ELECTRICAL SHOCK HAZARD! CUTTING OR DRILLING INTO ELECTRICAL WIRES OR CABLES CAN CAUSE DEATH OR SERIOUS PERSONAL INJURY! ALWAYS make certain area behind mounting surfaces is free of electrical wires and cables before cutting, drilling, or installing fasteners.

5. Drill six 3/16" diameter pilot holes in studs at mounting holes. (See Figure 3)
6. Attach the in-wall box using six M7 x 40mm Allen head connector screws (C) into pilot holes using an M4 Allen head drill bit (E).



**DANGER:** IMPROPER WIRING CAN LEAD TO DEATH OR SEVERE PERSONAL INJURY! Grounding must be installed by qualified personnel using a UL Recognized No. 12AWG Green and Yellow grounding wire connected to grounding lug on mount.

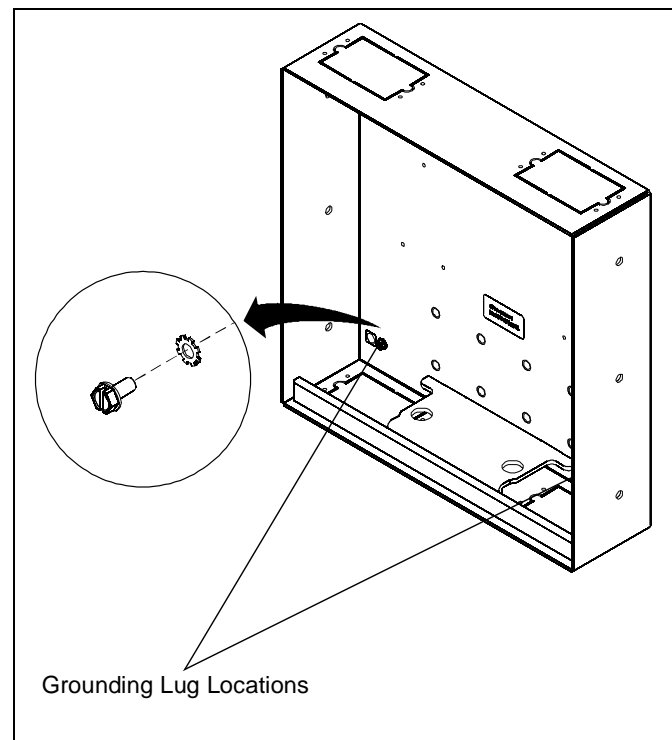
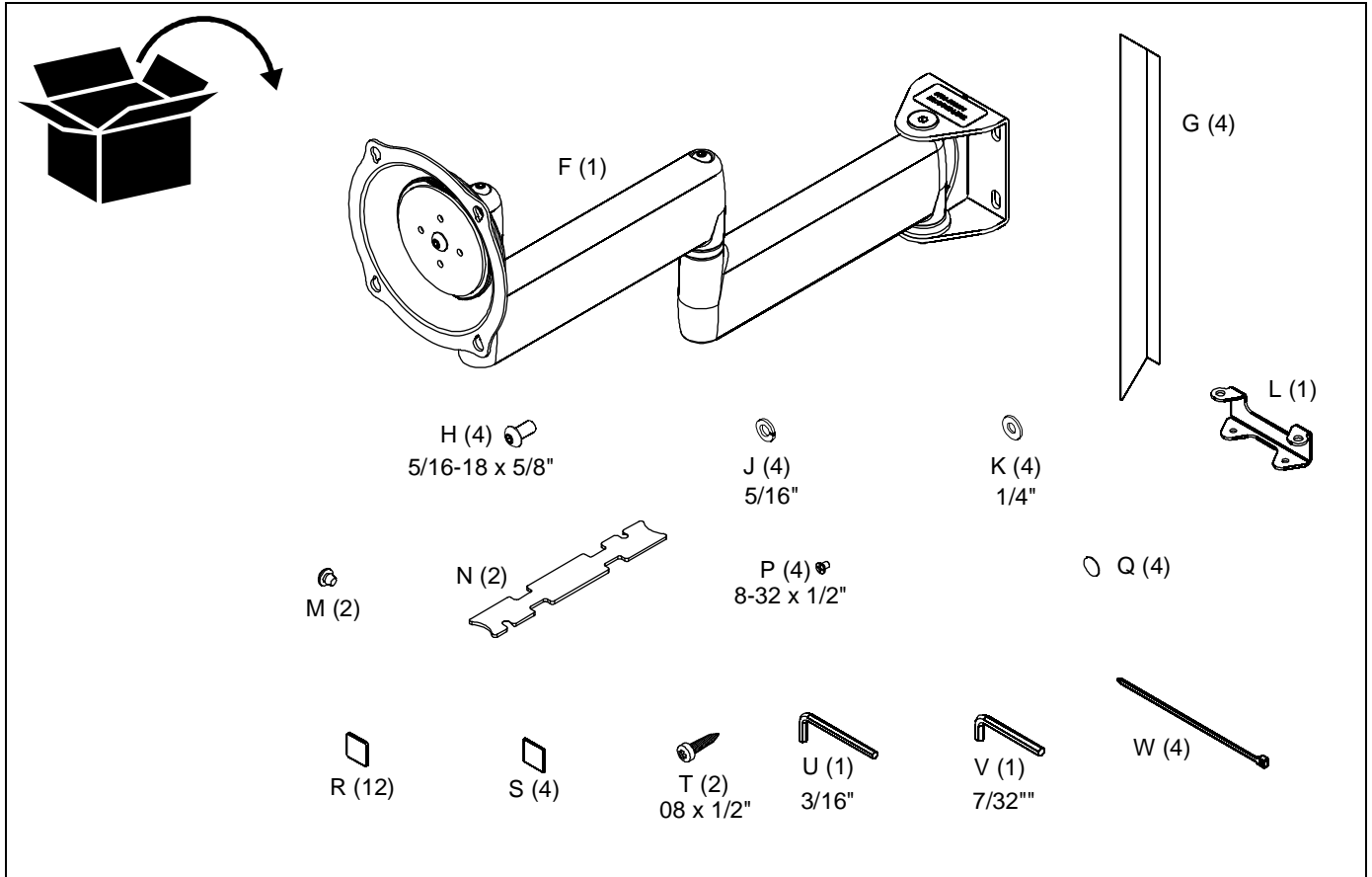
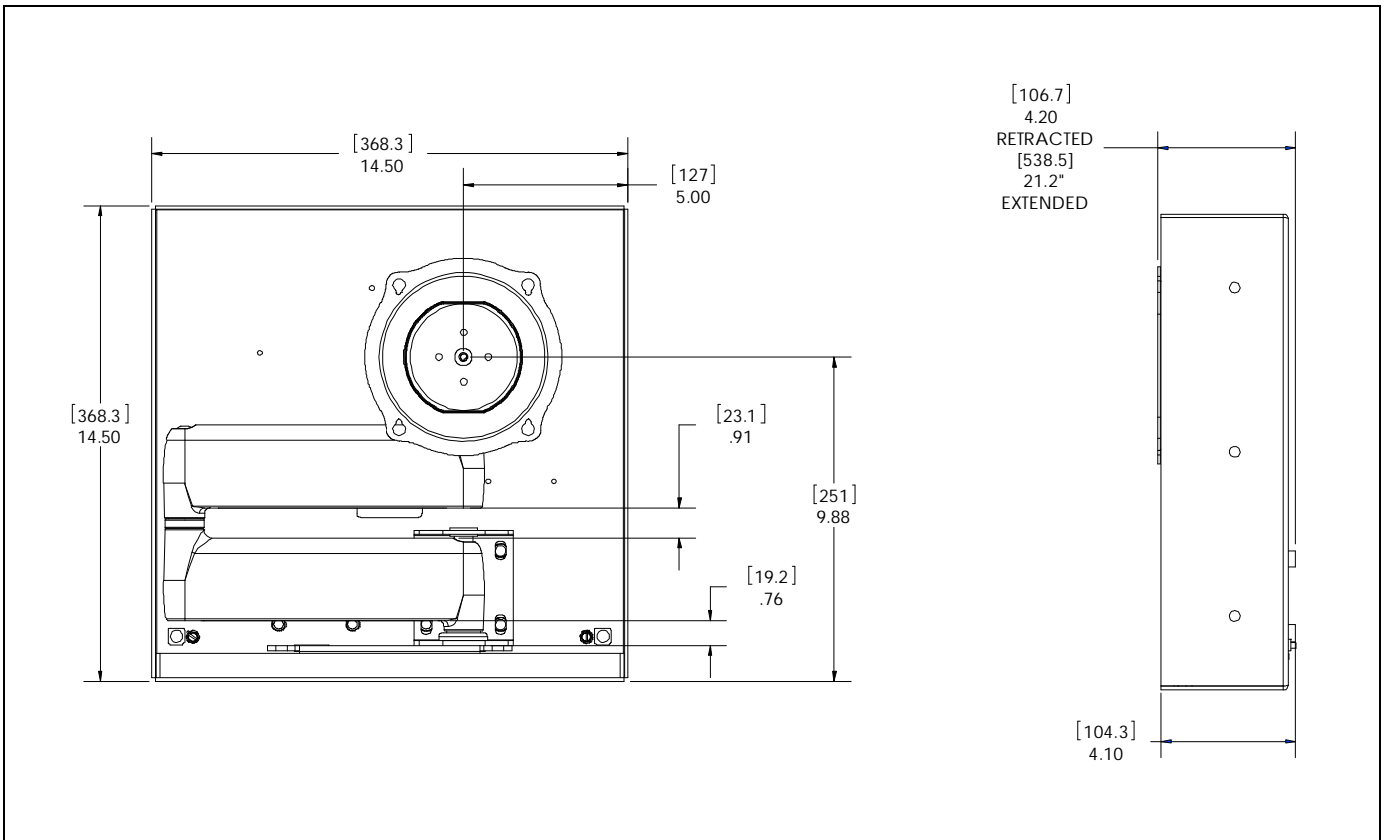


Figure 4

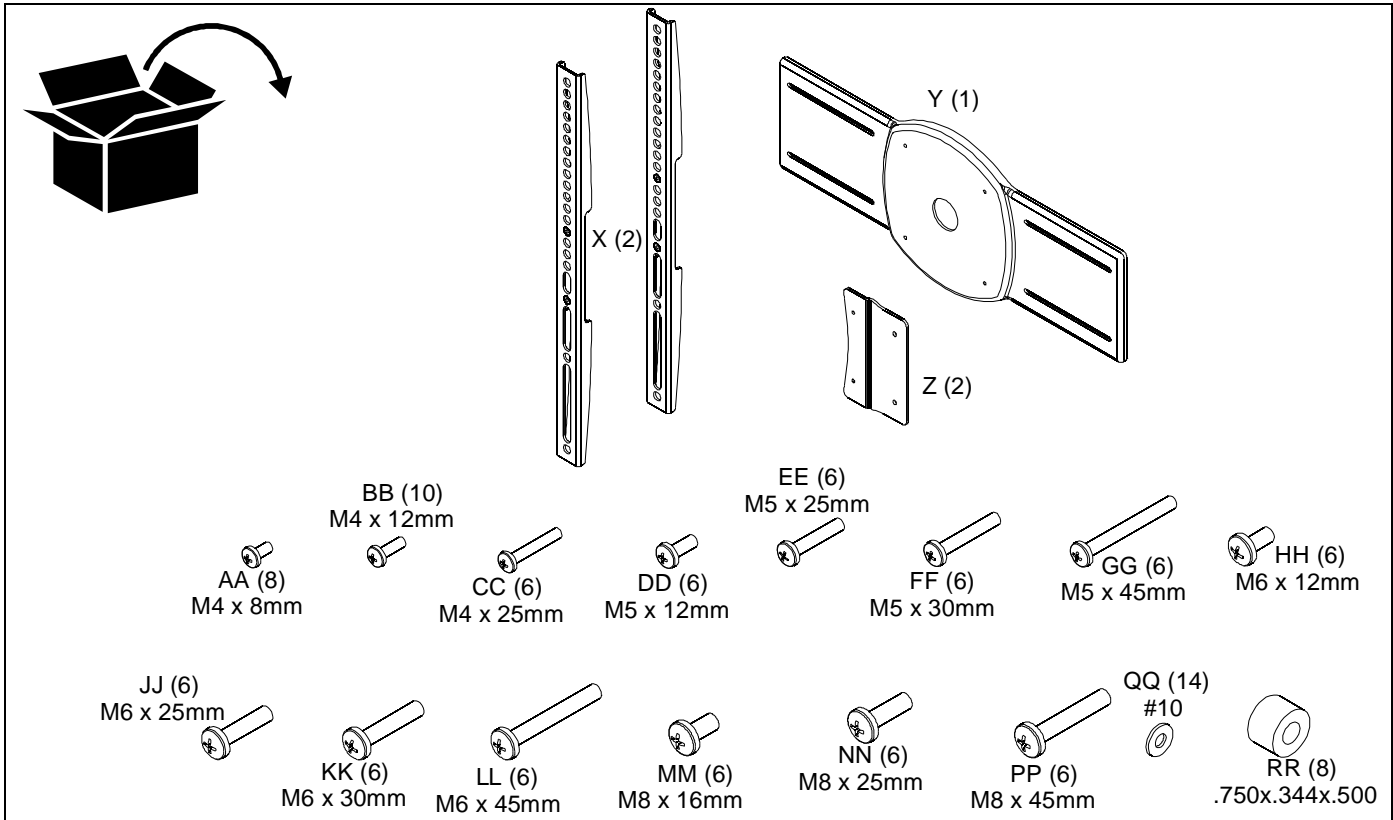
**PARTS -- SWING ARM KIT**



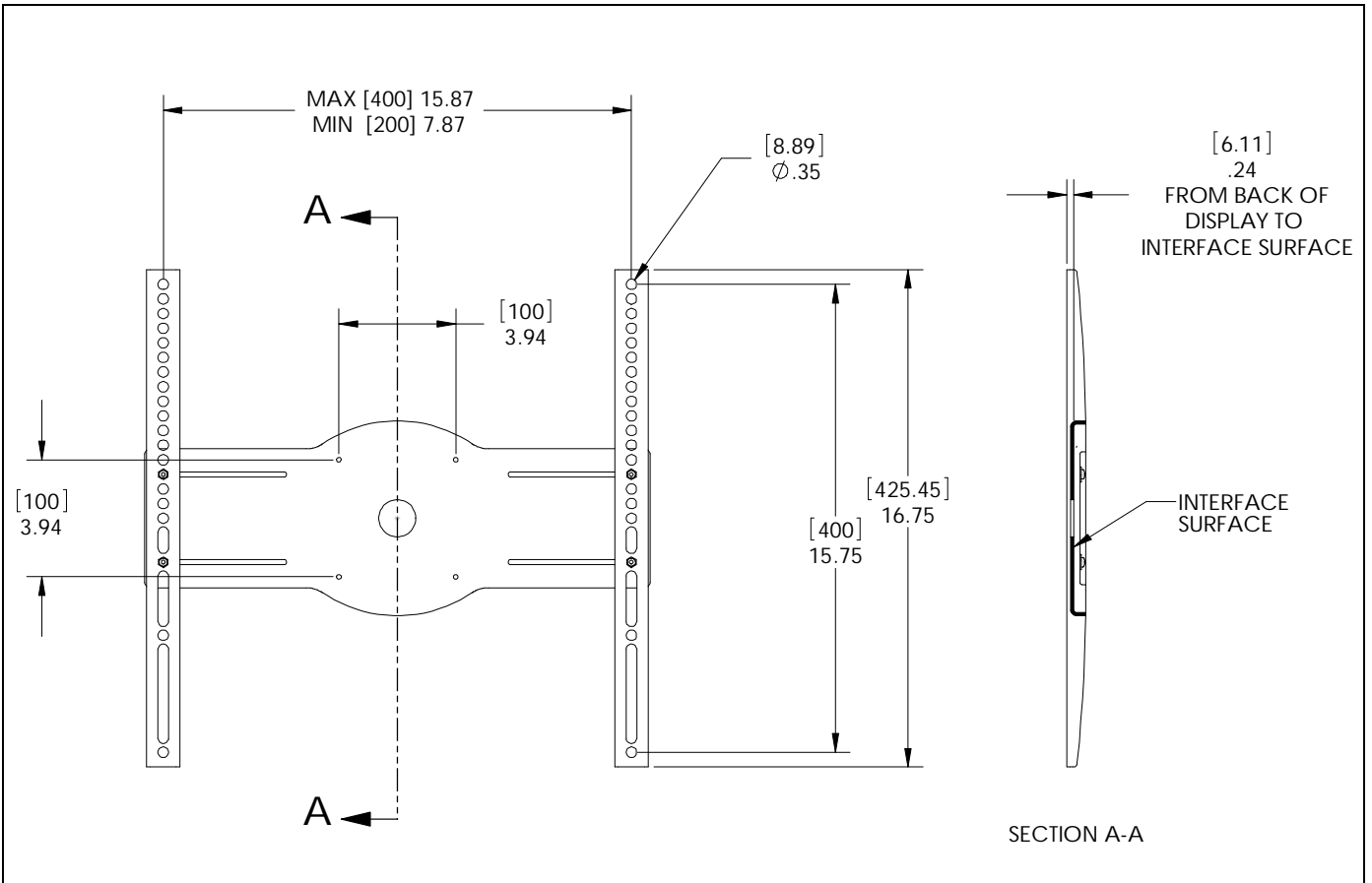
**DIMENSIONS -- SWING ARM IN IN-WALL BOX**



**PARTS -- INTERFACE BRACKET**



**DIMENSIONS -- INTERFACE BRACKET**





### Installing Swing Arm Kit



**WARNING:** IMPROPER INSTALLATION CAN LEAD TO MOUNT FALLING CAUSING SEVERE PERSONAL INJURY OR DAMAGE TO EQUIPMENT! DO NOT deviate from installation instructions provided. DO NOT substitute hardware.

The in-wall enclosure is designed to accommodate 4-1/2" of right or left display offset. This is accomplished by aligning the arm with either the right hand or left hand hole in the in-wall enclosure bottom support plate. The bumper mounting bracket is installed on the side opposite the side used for installing the swing arm. (See Figure 6)

#### Install Bumper

1. Install two bumpers (M) to bumper mounting bracket (L). (See Figure 5)

**NOTE:** A screwdriver may be required to push bumper into hole in bumper mounting bracket.

2. Secure bumper mounting bracket (L) to in-wall enclosure on whichever side the arm is going to be retracted, using two Phillips pan head screws (T). (See Figure 5)

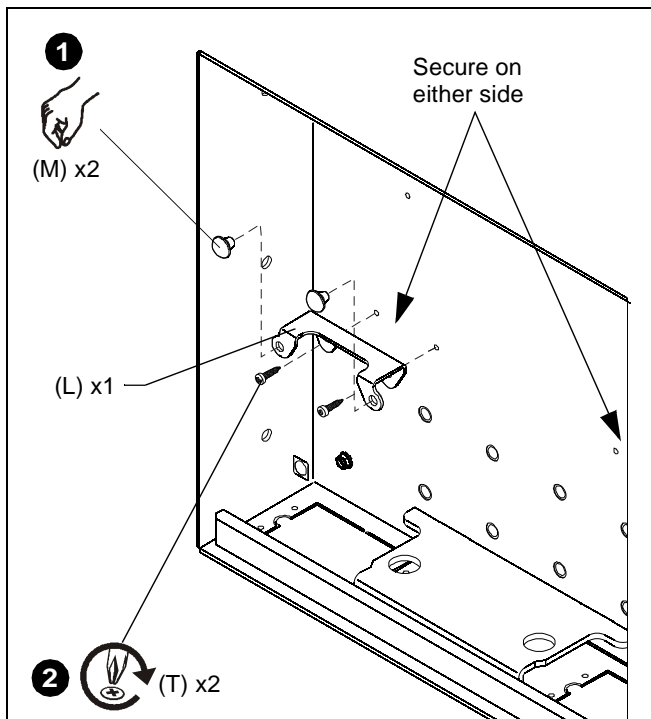


Figure 5

3. Align bottom of swing arm pivot pin with hole in lower support plate. (See Figure 6)
4. Lower swing arm until pivot pin rests in hole in lower support plate. (See Figure 6)
5. Align four mounting holes in swing arm mounting bracket with four mounting holes in in-wall enclosure. (See Figure 6)

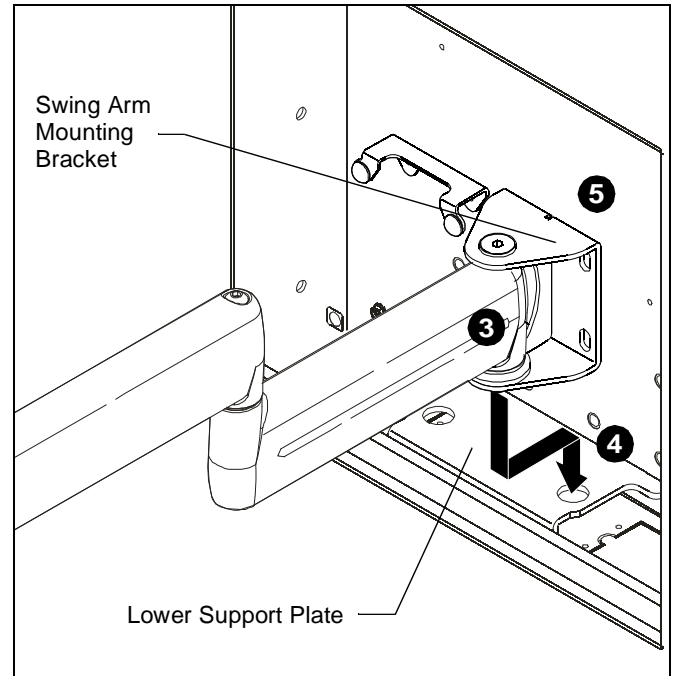


Figure 6

6. Secure swing arm to in-wall enclosure using four button head cap screws (H), four lock washers (J) and four flat washers (K).

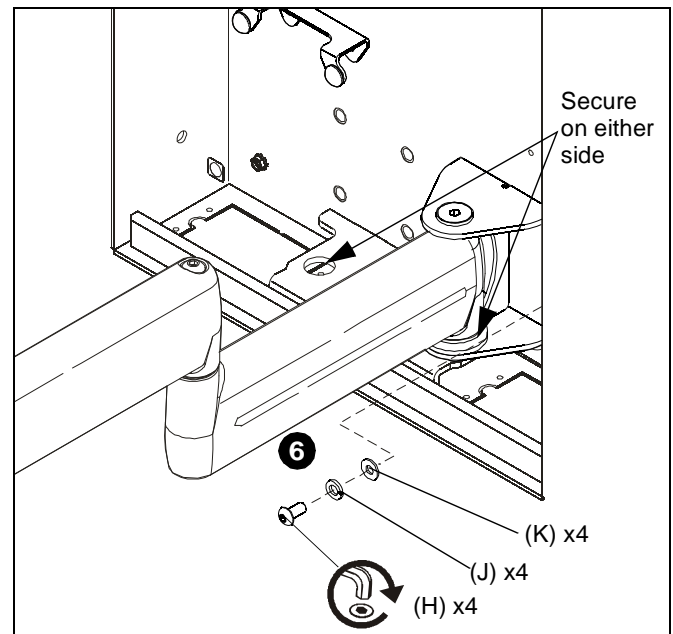


Figure 7

### Installing Display

**NOTE:** If the display being installed has a 100x100 VESA mounting pattern, no interface bracket is required and the display can be mounted directly to the Centris cup as outlined below.

**NOTE:** If the display being installed requires an interface bracket, proceed to the **Installing Interface Bracket** section.



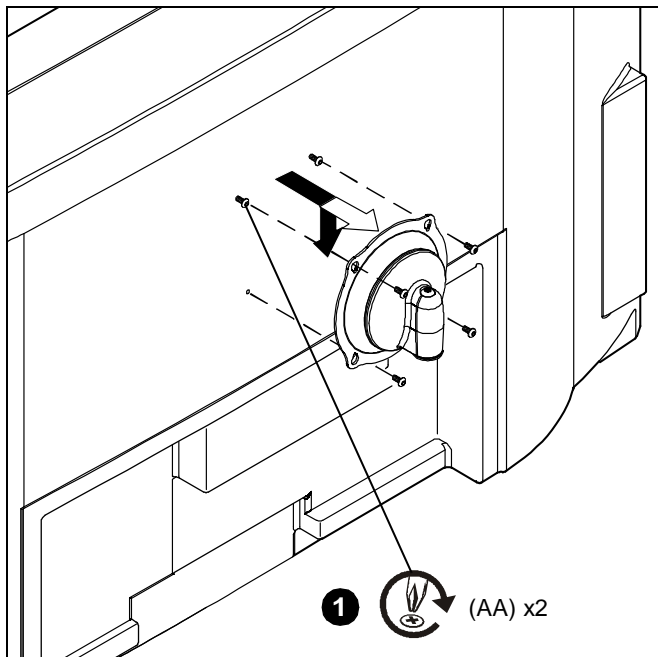
**WARNING:** IMPROPER INSTALLATION CAN LEAD TO DISPLAY FALLING CAUSING SERIOUS PERSONAL INJURY OR DAMAGE TO EQUIPMENT! Using screws of improper size may damage your display! Proper screws will easily and completely thread into display mounting holes. Ensure that screws are not too long.



**WARNING:** IMPROPER INSTALLATION CAN LEAD TO DISPLAY FALLING CAUSING SERIOUS PERSONAL INJURY OR DAMAGE TO EQUIPMENT! Inadequate thread engagement in display may cause display to fall! Back out screws **ONLY** as necessary to allow installation of Centris cup!

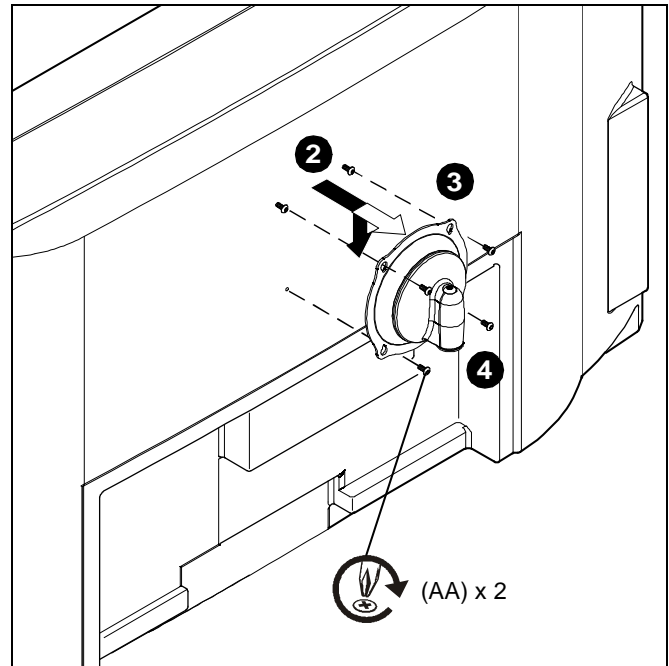
1. Start two M4 x 8mm Phillips pan head screws (AA) into upper mounting holes in display back. (See Figure 8)

**NOTE:** Leave at least 1/8" of each screw protruding out back of display.



**Figure 8**

2. Align two screws in display back with upper mounting holes in Centris cup and lower display until screws are seated in lower area of teardrop mounting holes. (See Figure 9)
3. Install two more of the same screws through lower mounting holes in Centris cup and into display back. (See Figure 9)
4. Tighten all hardware.



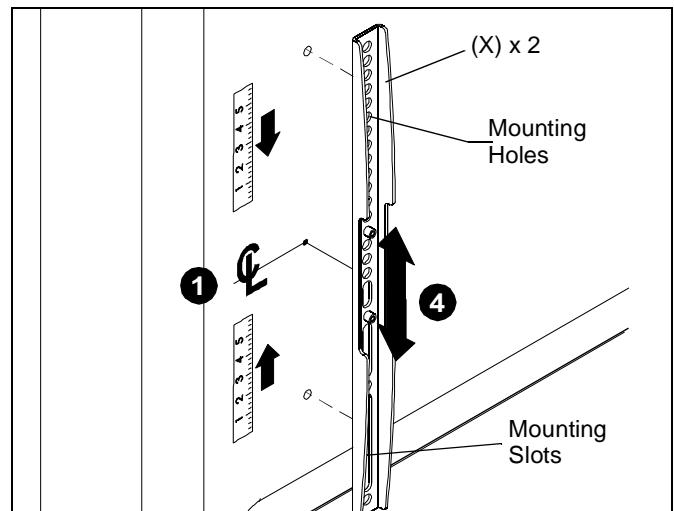
**Figure 9**

### Installing Interface Bracket



**WARNING:** IMPROPER INSTALLATION CAN LEAD TO MOUNT FALLING CAUSING SERIOUS PERSONAL INJURY OR DAMAGE TO EQUIPMENT! DO NOT substitute hardware. Only use hardware provided or specified by manufacturer.

1. Determine and mark the vertical center position between the left side upper and lower mounting holes in display. (See Figure 10)



**Figure 10**

2. Determine and mark the vertical center position between the right side upper and lower mounting holes in display. (See Figure 10)
3. Orient vertical mounting bracket (X) so that mounting holes are on top and mounting slots are on bottom. (See Figure 10)

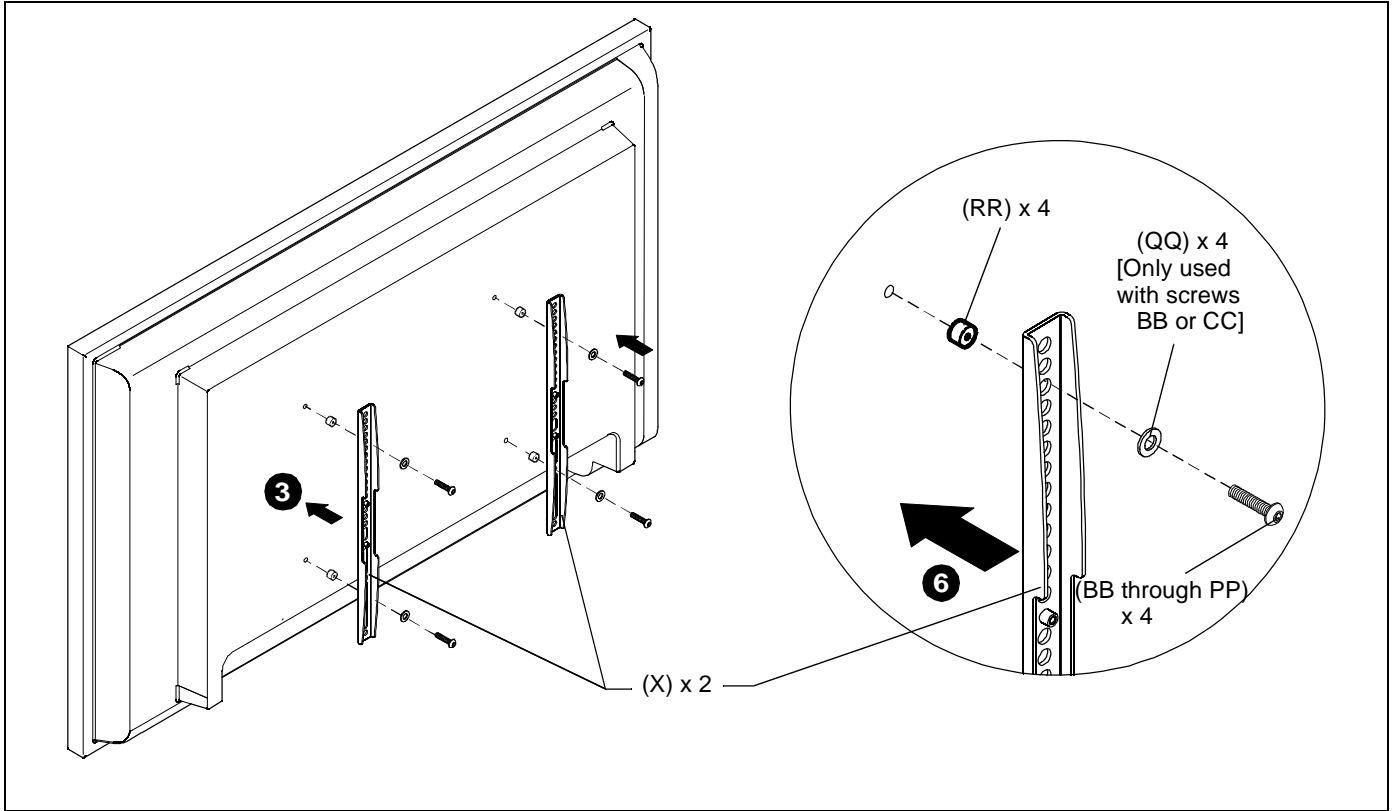


Figure 11

4. Adjust vertical mounting bracket (X) position until mark made in Step 1 aligns with center mark in vertical mounting bracket (X).
5. Secure left side vertical mounting bracket (X) to display using two Phillips pan head screws (BB through PP). (See Figure 11)

**NOTE:** Also use #10 flat washers (QQ) if using screws BB or CC.

**NOTE:** If the display has a recessed mounting surface, protrusions or a power box, a spacer (RR) and longer mounting hardware must be placed between the display and vertical mounting brackets (X). (See Figure 11)

6. Repeat Steps 3 through 6 for right side vertical mounting bracket using the same hole locations to align brackets horizontally.

**NOTE:** If using a display with a 500mm wide mounting pattern, proceed to **Steps 7 and 8**. For all other mounting patterns, proceed to **Step 9**.

7. Attach center bracket (Y) to extension brackets (Z) using four M4 x 8mm Phillips pan head screws (AA) and four #10 flat washers (QQ). (See Figure 12)
8. Insert four M4 x 8mm Phillips pan head screws (AA) into the middle of the center bracket (Y). (See Figure 12)

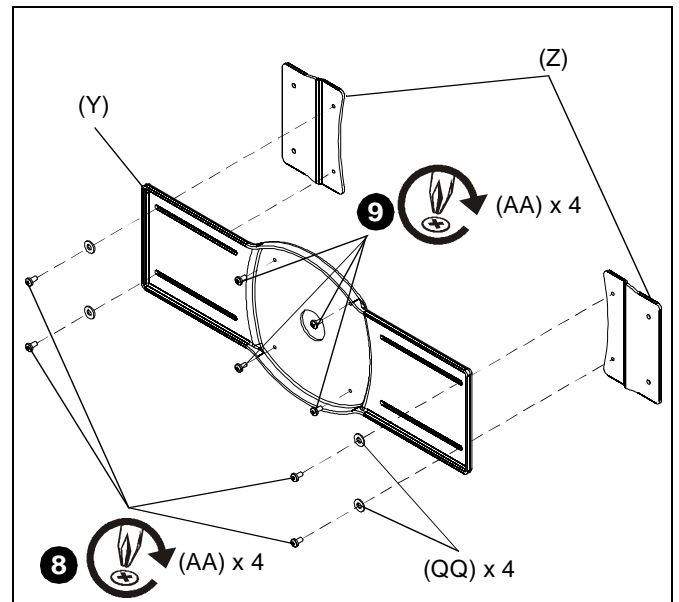
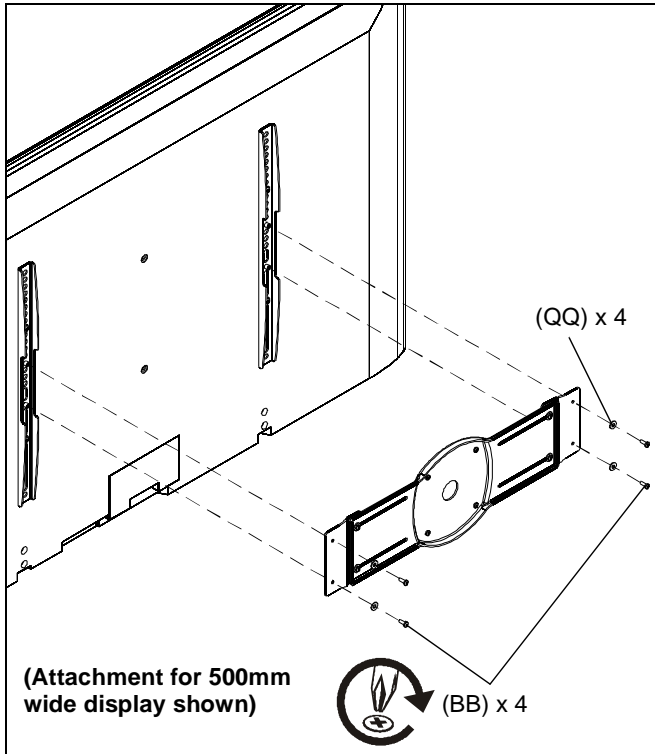


Figure 12

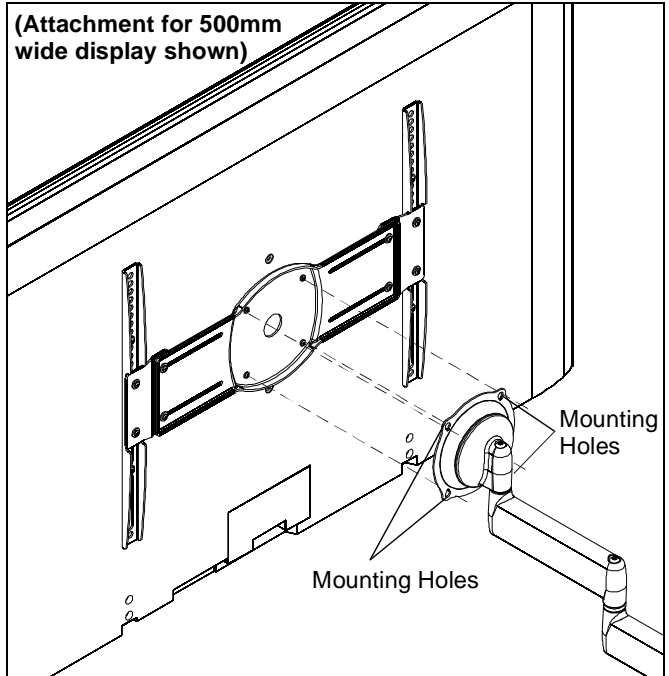
- Attach center bracket (Y) with attached extension brackets (if required) to vertical mounting brackets (X) using four M4 x 12mm Phillips head screws (BB) and four #10 flat washers (QQ). (See Figure 13)

**NOTE:** The center bracket should be centered between the vertical mounting brackets as much as possible.



**Figure 13**

- Align screws in center of center bracket (Y) with mounting holes in Centris head, and lower display until screws are seated in lower area of teardrop mounting holes. (See Figure 14)
- Tighten all hardware.
- Route cables and wires to display.



**Figure 14**

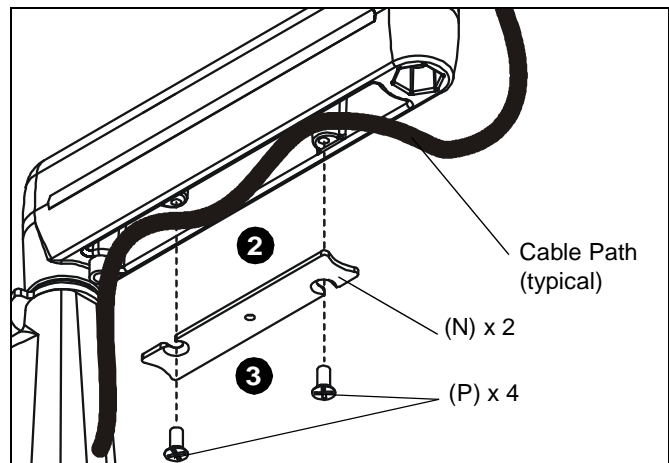
**Cable Management**

- Attach all cables to display.



**CAUTION:** Ensure that adequate cable slack exists for movement of display, and that cables will not be pinched by installation of cover (N) or screws (P).

- Carefully insert cables in cavity located in lower portion of mount arm (See Figure 15).
- Using Phillips screwdriver, install cover (N) with two screws (P). (See Figure 15)



**Figure 15**

**Optional Trim Installation**

1. Remove paper covering adhesive and affix three tape squares (R) to inside lower flange of each trim piece (G). (See Figure 16)
2. Orient trim pieces (G). (See Figure 16)
3. Remove paper covering adhesive back from tape squares (R) on trim and press trim (G) against inner wall of box. (See Figure 16)

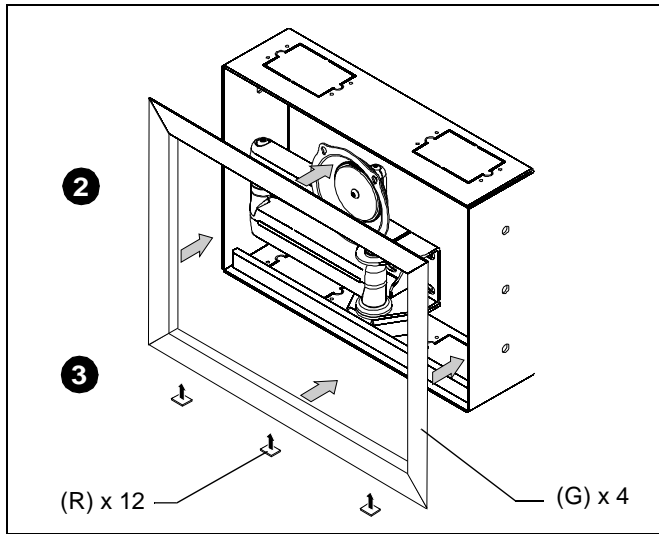


Figure 16

**ADJUSTMENTS**

**Swing Arm**

**PIVOT / SWING Tension**

1. Using 3/16" hex key (U), slightly loosen or tighten the adjustment screw(s) as necessary (See Figure 17).

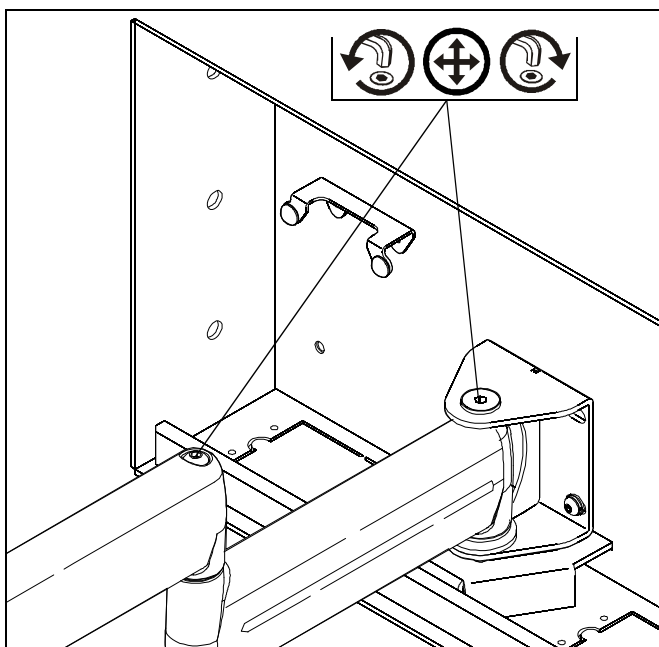


Figure 17

**DISPLAY ROLL, PITCH, YAW Tension**

1. Disconnect all wires and cable from the display.
2. Remove two *Lower* screws securing display to Centris cup.
3. Loosen two *Upper* screws securing display.
4. Lift display upward and away from mount.
5. Using a hex key turn the tension adjustment screw clockwise to increase tension, or counter-clockwise to decrease tension. (See Figure 18)
6. Re-install display.

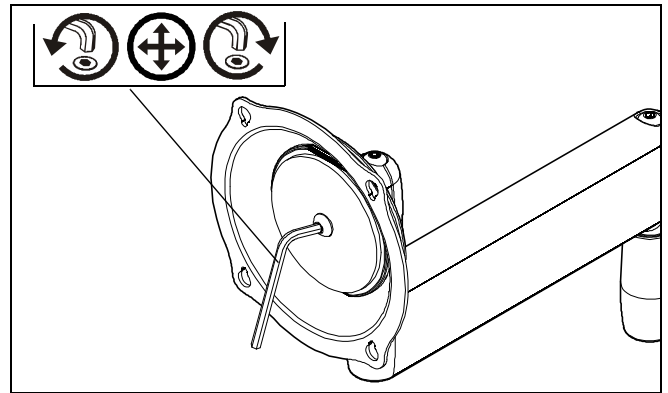


Figure 18







Our Mounts. **Your Vision.**

Chief Manufacturing, a division of  
Milestone AV Technologies

8832-000272 RevB

©2009 Milestone AV Technologies, a  
Duchossois Group Company

[www.chiefmfg.com](http://www.chiefmfg.com)

09/09

**USA/International** A 8401 Eagle Creek Parkway, Savage, MN 55378  
P 800.582.6480 / 952.894.6280

F 877.894.6918 / 952.894.6918

**Europe** A Fellenoord 130 5611 ZB EINDHOVEN, The Netherlands

P +31 (0)40 2668620

F +31 (0)40 2668615

**Asia Pacific** A Room 24F, Block D, Lily YinDu International Building  
LuoGang, BuJi Town, Shenzhen, CHINA.

深圳市布吉罗岗村百合银都国际大厦D栋24F

P +86-755-8996 9226

F +86-755-8996 9217

