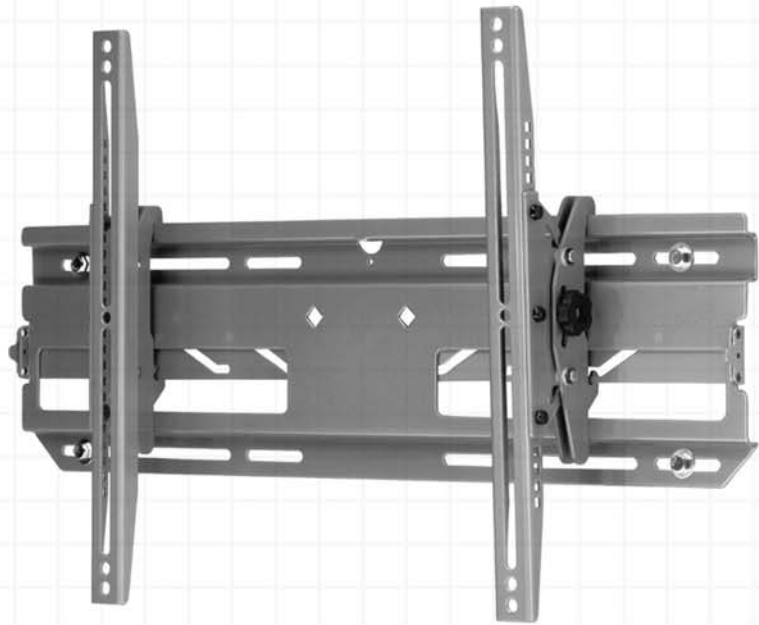


Installation Instructions

---

*Universal Tilting*  
**Flat Panel Wall Mount**  
for Plasma and Large LCD TVs



MSP-BBLT



## IMPORTANT WARNINGS AND CAUTIONS!

**WARNING:** A **WARNING** alerts you to the possibility of serious injury or death if you do not follow the instructions.

**CAUTION:** A **CAUTION** alerts you to the possibility of damage or destruction of equipment if you do not follow the corresponding instructions.

- **WARNING: Improper installation can result in serious personal injury! Make sure that the structural members can support a weight factor *five times* the total weight of the equipment. If not, reinforce the structure before installing the mount.**
- **CAUTION:** Check the unit for shipping damage. See “PARTS DRAWINGS” on page 5.

## TOOLS REQUIRED FOR INSTALLATION

- Socket Set (1/2” Socket)
- Phillips screwdriver, No. 2
- Drill and drill bit set (for wood stud installation)

**NOTE:** Other tools may be required depending on the method of installation.

## CONTENTS

IMPORTANT WARNINGS AND CAUTIONS! .....	2
TOOLS REQUIRED FOR INSTALLATION .....	2
PARTS LIST .....	4
PARTS DRAWINGS .....	5
INSPECT THE MOUNT BEFORE INSTALLING .....	6
INSTALL INTERFACE BRACKETS ON DISPLAY .....	6
Tilt Interface Bracket Install Instructions (Option A) .....	6
Hook Bracket Install Instructions (Option B).....	8
INSTALL WALL PLATE .....	10
INSTALL DISPLAY .....	11
DISPLAY REMOVAL INSTRUCTIONS .....	12

## PARTS LIST

Table 1: Parts List

REF	DESCRIPTION	QTY	REF	DESCRIPTION	QTY
10	PLATE, Wall with two latches attached	1	120	SCREW, Phillips, M4 x 20 (Parts Bag A)	8
20	TILT BRACKET, Interface (Rt)	1	130	SCREW, Phillips, M4 x 16 (Parts Bag A)	8
30	TILT BRACKET, Interface (Lft)	1	140	SCREW, Phillips, M4 x 25 (Parts Bag A)	8
40	SCREW, Phillips, M8 x 20 (Parts Bag A)	6	150	WASHER, Flat, #10 (Parts Bag A)	8
50	SCREW, Phillips, M8 x 30 (Parts Bag A)	6	160	WASHER, Flat, 1/4" (Parts Bag A)	8
60	SCREW, Phillips, M8 x 45 (Parts Bag A)	6	170	SPACER, 1/4" (Parts Bag A)	8
70	SCREW, Phillips, M6 x 25 (Parts Bag A)	8	180	SPACER, 1/2" (Parts Bag A)	8
80	SCREW, Phillips, M6 x 16 (Parts Bag A)	8	190	WASHER, Shoulder, .195"ID (Parts Bag A)	8
90	SCREW, Phillips, M5 x 25 (Parts Bag A)	8	200	WASHER, Shoulder, .320"ID (Parts Bag A)	8
100	SCREW, Phillips, M5 x 20 (Parts Bag A)	8	210	BOLT, Lag, 5/16" (Parts Bag B)	4
110	SCREW, Phillips, M5 x 16 (Parts Bag A)	8	220	WASHER, 5/16" (Parts Bag B)	4
			230	SCREW, Self-Tapping	2
			240	STATIC BRACKET, Interface	2

# PARTS DRAWINGS

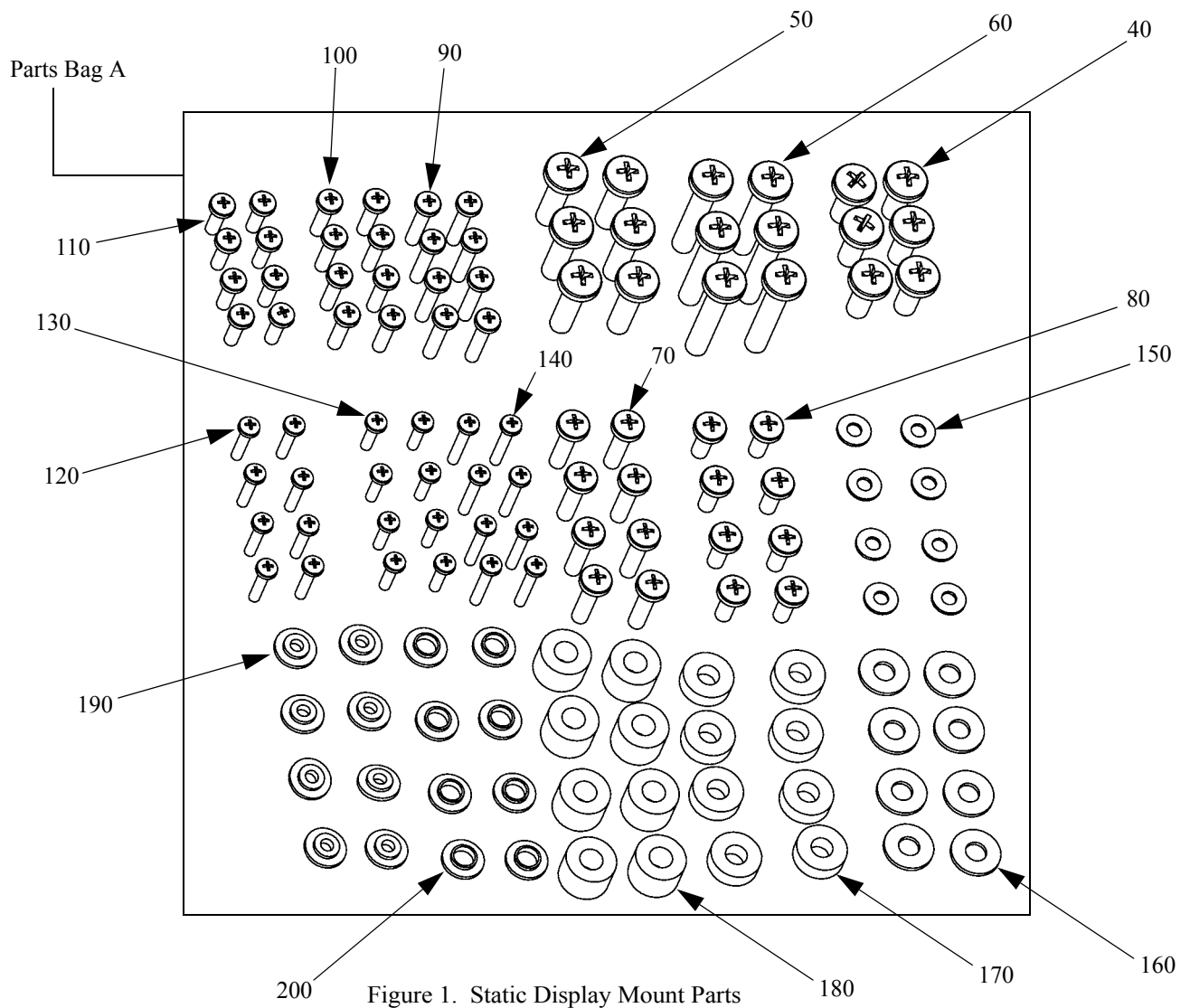
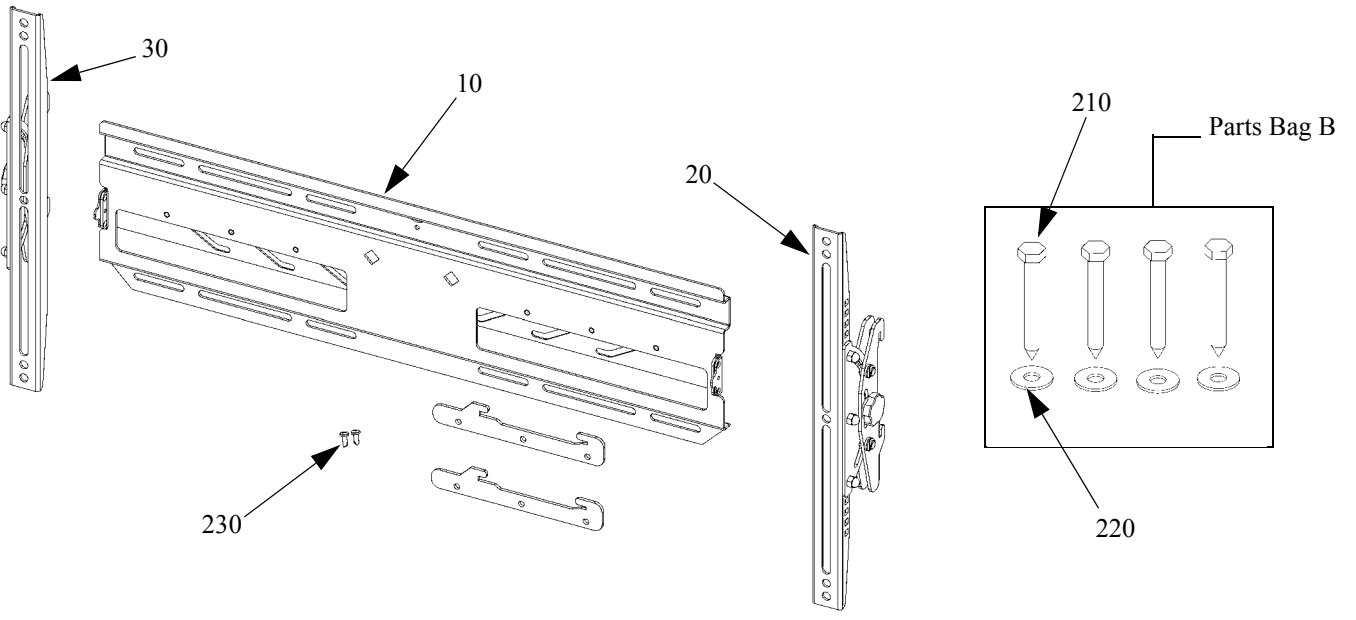


Figure 1. Static Display Mount Parts

## INSPECT THE MOUNT BEFORE ASSEMBLY

1. Carefully inspect the mount components for shipping damage (see Figure 1).
2. If any damage is apparent, call your carrier claims agent and do not continue with the installation until the carrier has reviewed the damage.

**NOTE:** Read all assembly instructions before starting the installation process.

## INSTALL INTERFACE BRACKETS ON DISPLAY

Select one of the following options to install the interface brackets:

- Tilt Bracket Install Instructions (Option A)
- Hook Bracket Install Instructions (Option B)

### Tilt Bracket Install Instructions (Option A)

**NOTE:** The left and right brackets (20 and 30) are shipped as factory assembled interface bracket assemblies for a tilt mount configuration.

Install the interface brackets as follows:

1. Place the left and right factory assembled interface bracket assemblies (20 and 30) on the back of the display (see Figure 2).
2. Position the interface bracket assemblies (20 and 30) with the tension knob on the tilt bracket faced toward the outside of the display (refer to Figure 5).
3. Using the center hole on the interface bracket as a reference point, align the bracket with the center line of the display (see Figure 3).

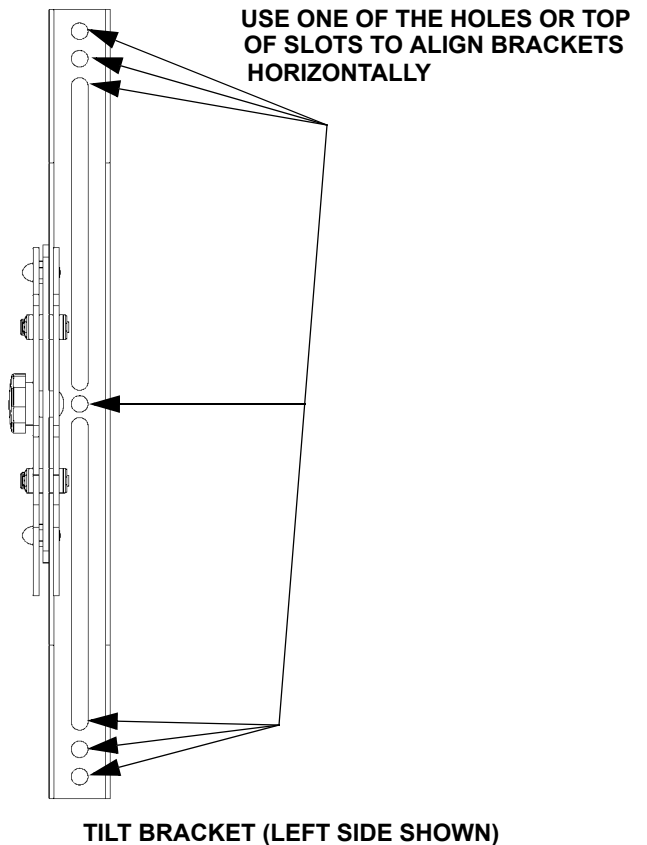


Figure 2. Place Interface Brackets on Display

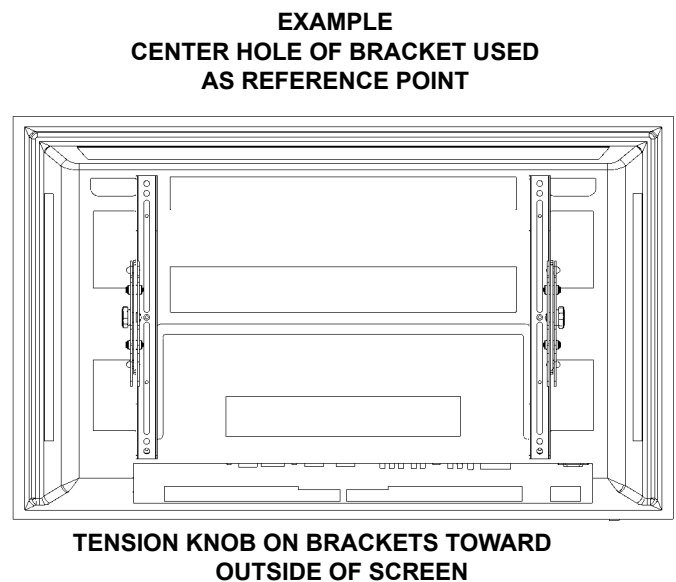


Figure 3. Align Interface Bracket Holes with Center Line On Display (Tilt Brackets Shown)

## INSTALL INTERFACE BRACKETS ON DISPLAY (CONT'D)

**NOTE:** Spacers (170 or 180) are used to offset the bracket if the mounting holes are recessed or to get around the protrusions.

- Secure the left and right factory assembled interface bracket assemblies (20 and 30) to the display. Select the mounting hardware that fits your application. Read the following list and refer to Figure 4 and Figure 5.

- Use spacers (170 or 180), if necessary.
- Use M6 screws (70 or 80) or M8 screws (40, 50, or 60), steel washers (160), and shoulder washers (200).
- Or, use M4 screws (120, 130, or 140) or M5 screws (90, 100, or 110) steel washers (150), and shoulder washers (190).

- Find the center line of the display once again (see Figure 6).

**NOTE:** The tilt brackets can be moved above or below the center line, as needed, to fit the application and/or the desired level (see Figure 7).

- If necessary, remove the attaching hardware and move the tilt brackets as close to the center line of the display as possible (see Figure 6). Re-install the tilt brackets onto the interface brackets.

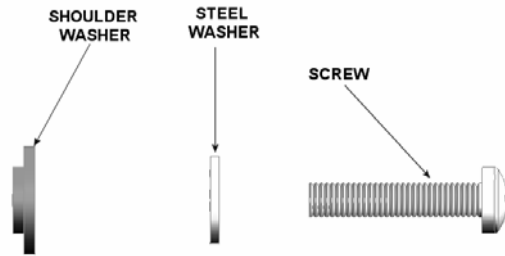


Figure 4. Attachment Parts

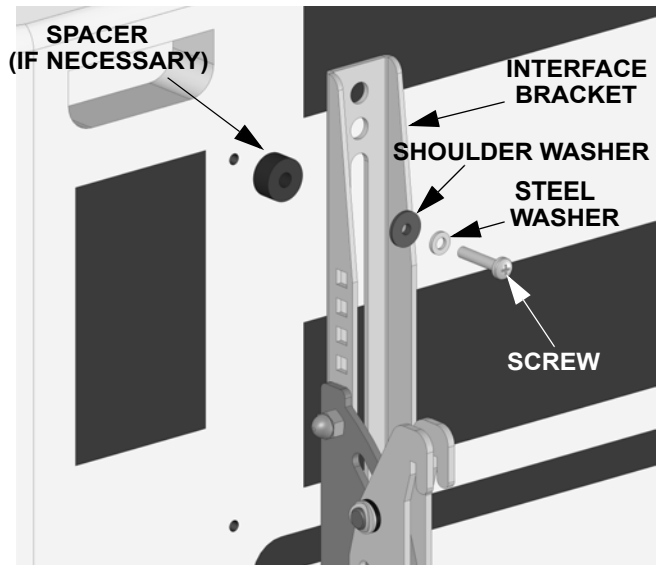


Figure 5. Interface Bracket Attachment

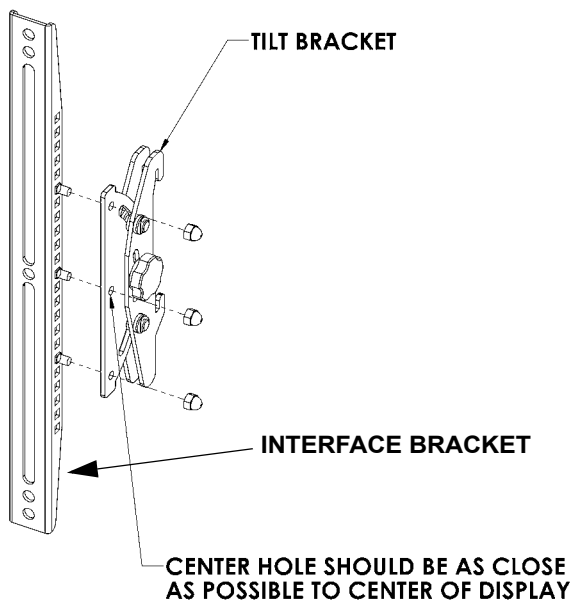


Figure 7. Move Tilt Brackets (If Necessary)

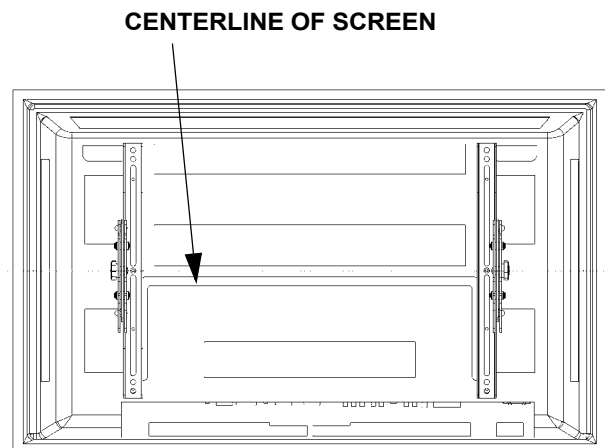


Figure 6. Center Line of Display

## INSTALL INTERFACE BRACKETS ON DISPLAY (CONT'D)

### Hook Bracket Install Instructions (Option B)

**NOTE:** In order to change your tilt mount into a static mount, you will need to remove the tilt brackets from the factory assembled interface bracket assemblies (20 and 30) and replaced them with hook brackets.

Change your tilt mount to a static mount as follows:

1. Remove the tilt brackets from the interface brackets as shown in Figure 8.
2. Install the two hook brackets (240) on each interface brackets as shown in Figure 9. Make sure to align the center hole of the hook brackets as close to the center hole in the interface brackets (see Figure 9).

**NOTE:** In case you ever want to change your static mount back into a tilt mount, store the tilt brackets in a safe place for future use.

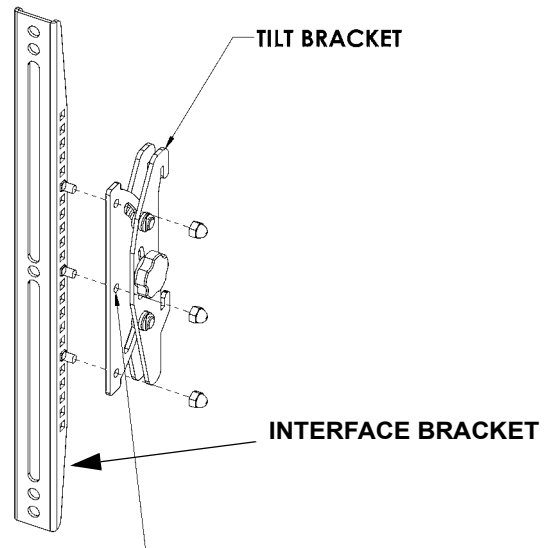


Figure 8. Remove Tilt Brackets

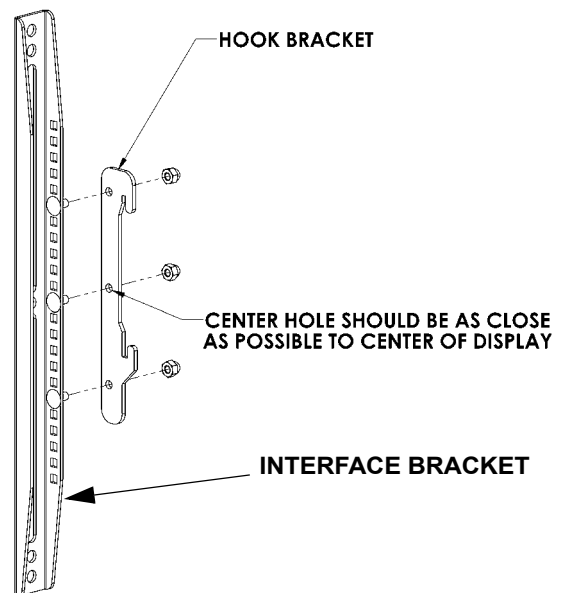


Figure 9. Install Hook Brackets



## INSTALL INTERFACE BRACKETS ON DISPLAY (CONT'D)

Install the interface brackets as follows:

1. Place the left and right interface bracket assemblies (with hook brackets) on the back of the display (see Figure 11).
2. Position the interface bracket assemblies with the hook brackets faced toward the outside of the display (see Figure 10).
3. Using the center hole on the interface bracket as a reference point, align the bracket with the center line of the display (see Figure 11).

**NOTE:** Spacers (170 or 180) are used to offset the bracket if the mounting holes are recessed or to get around the protrusions.

4. Secure the left and right factory assembled interface bracket assemblies (20 and 30) to the display. Select the mounting hardware that fits your application. Read the following list and refer to Figure 10.

- Use spacers (170 or 180), if necessary.
- Use M6 screws (70 or 80) or M8 screws (40, 50, or 60), steel washers (160), and shoulder washers (200).
- Or, use M4 screws (120, 130, or 140) or M5 screws (90, 100, or 110) steel washers (150), and shoulder washers (190).

5. Find the center line of the display (see Figure 11).

**NOTE:** The hook brackets can be moved above or below the center line, as needed, to fit your application and/or the desired level.

6. If necessary, remove the attaching hardware and move the hook brackets as close to the center line of the display as possible (see Figure 12). Re-install the hook brackets onto the interface brackets.

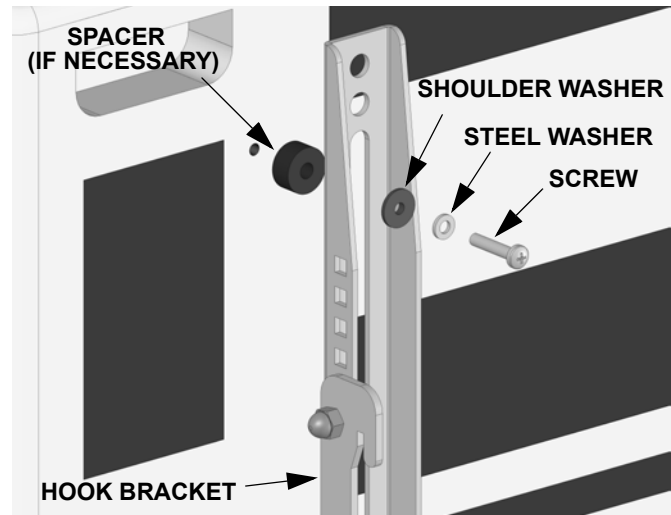


Figure 10. Interface Bracket Attachment

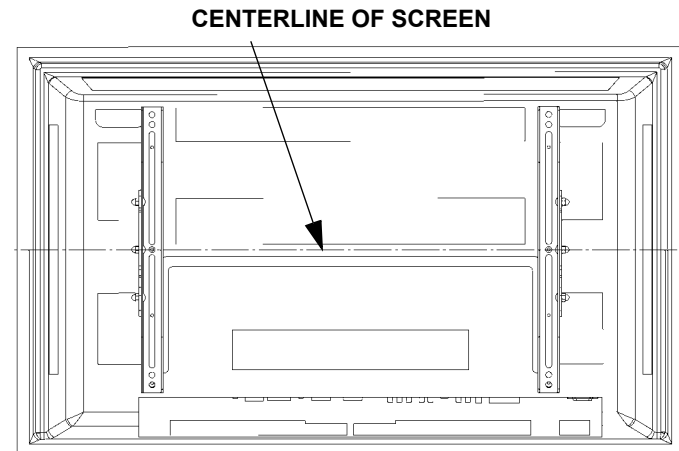


Figure 11. Center Line of Display

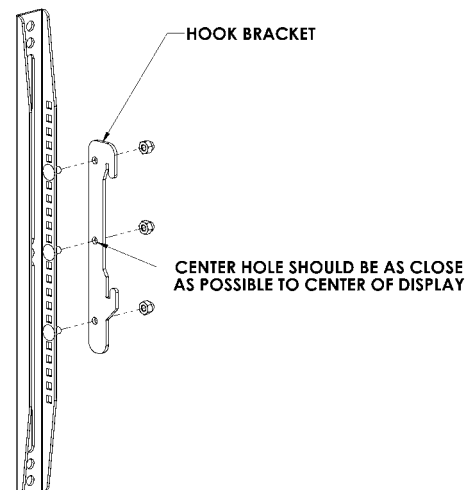


Figure 12. Adjust Hook Brackets

## INSTALL WALL PLATE

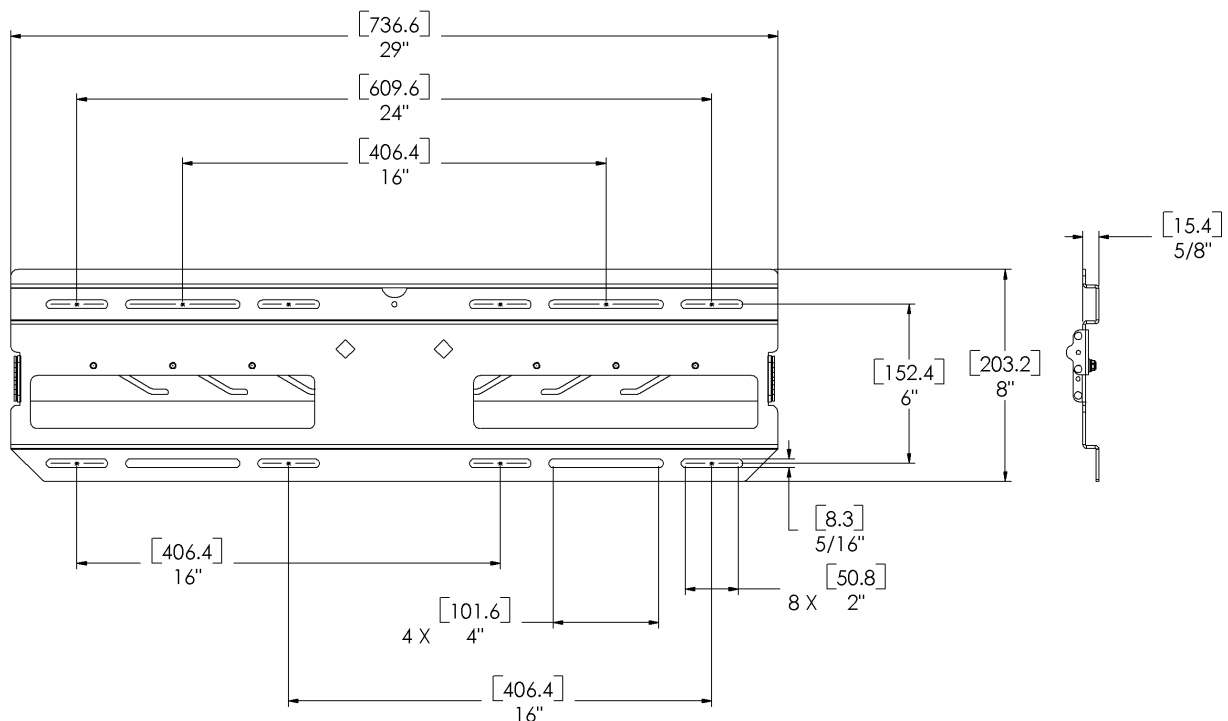
Install the wall plate using the following lag bolt installation instructions.

### Lag Bolt Installation Instructions

Install the wall plate as follows:

**WARNING: It is the responsibility of the installer to verify that the structure to which the mount is anchored will safely support five times the combined load of all attached components and equipment.**

1. Determine a suitable mounting location and lift the wall plate (10) into place. See "PARTS LIST" on page 4. and Figure 13.
2. Using a small nail or screw (not provided) in the center hole, lightly support the wall plate at the mounting location.
3. Level the wall plate (10) and drill pilot holes for anchoring the wall plate. If drilling into wood studs, use a 15/64" drill bit.
4. Using four 5/16" lag bolts (210) and 5/16" washers (220), install the wall plate on the wall.
5. Slide the latches to the outside.



## INSTALL DISPLAY

Install the display as follows:

1. Place the display on the wall plate (10) by hooking the hooks of the brackets (20 and 30) in the top of the wall plate (see Figure 14).
2. Secure the display by sliding the latches, one on each side, inward (see Figure 14).
3. If desired, install self tapping screws (230) and/or padlocks (not provided) for additional security (see Figure 14).
4. Tilt the display up or down as desired.
5. Tighten knobs to achieve the desired tension.

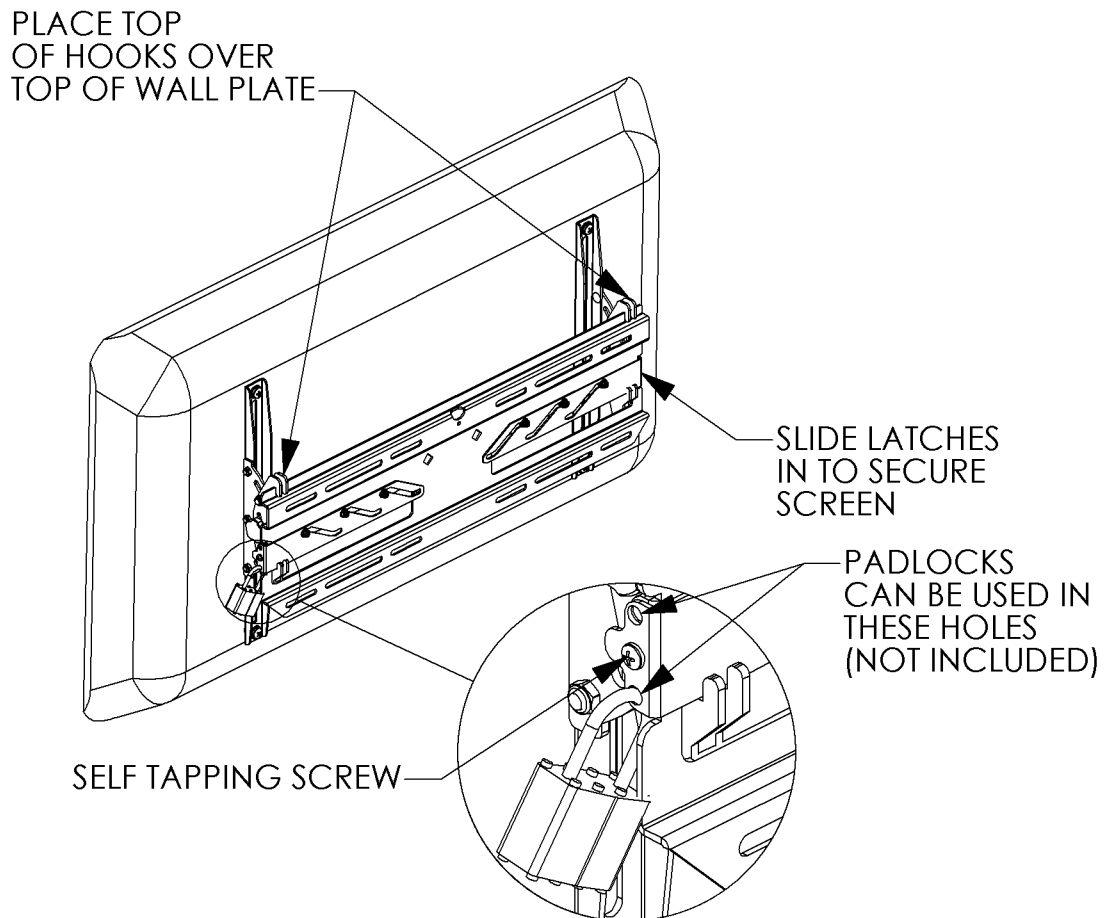


Figure 14. Install Display

## DISPLAY REMOVAL INSTRUCTIONS

To perform service on the display, remove the display from the wall plate as follows:

**WARNING: Disconnect power and audio/video cables before removing the display from its wall mount.**

1. If applicable, remove the self tapping screws and/or padlocks from both sides of the wall plate. This hardware provides security (see Figure 15).
2. Slide the security latches out on both sides to disengage the display from the wall plate. See Figure 15.

**WARNING: The plasma display is heavy and extremely fragile. Exercise caution when removing the display from the mount to avoid equipment damage or personal injury.**

3. With an assistant, lift the display up and off the wall plate (see Figure 16) to remove the display from the wall.

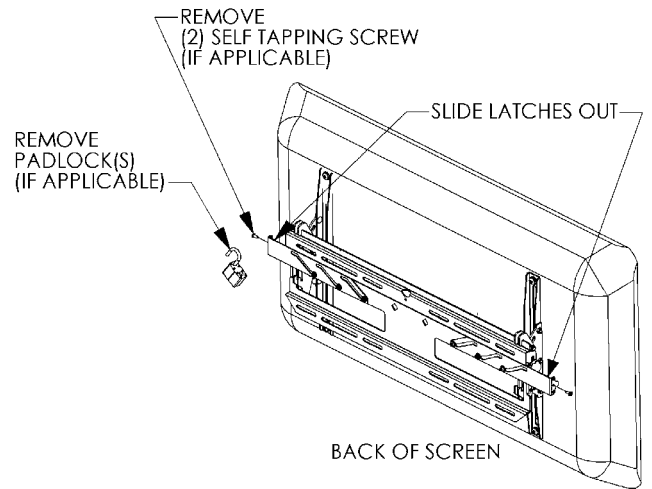


Figure 15. Remove Security Hardware

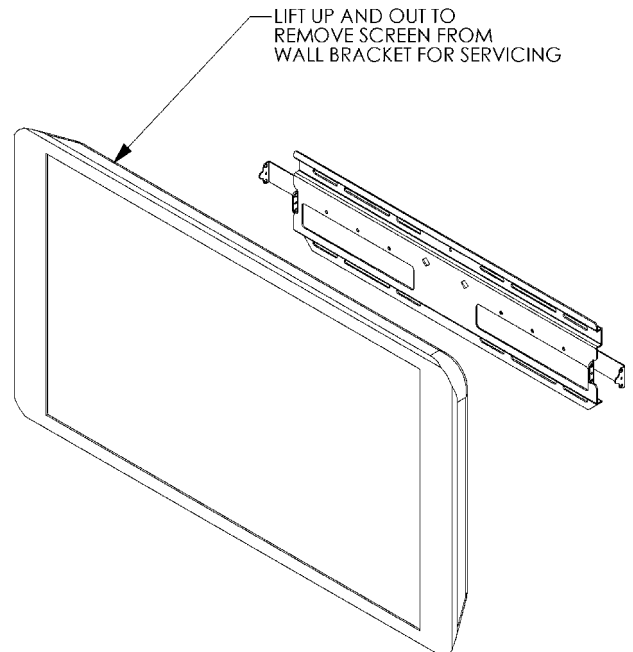


Figure 16. Remove Display



---

Chief Manufacturing Inc.  
8401 Eagle Creek Parkway, Suite 700  
Savage, MN 55378, USA  
PHONE: 800.582.6480  
PHONE: 952.277.3901  
FAX: 952.894.6918  
FAX: 877.894.6918  
[www.chiefmfg.com](http://www.chiefmfg.com)

CSAV Europe B.V.  
Zekeringstraat 17, 1014 BM  
Amsterdam, Netherlands  
PHONE: 31 (0)20 5708923  
FAX: 31 020 5708989  
[europa@chiefmfg.com](mailto:europa@chiefmfg.com)