

Installation Instructions

Tilt and Swivel
Flat Panel Wall Mount
for LCD TVs and Monitors



MSP-BBSP



IMPORTANT WARNINGS AND PRECAUTIONS!

- WARNING:** A **WARNING** alerts you to the possibility of serious injury or death if you do not follow the instructions.
- CAUTION:** A **CAUTION** alerts you to the possibility of damage or destruction of equipment if you do not follow the corresponding instructions.
- **WARNING: Improper installation can result in serious personal injury! Make sure that the structural members can support a redundant weight factor *five times* the total weight of the equipment: if not, reinforce the structure before installing the mount.**
 - **WARNING: Be aware also of the potential for personal injury or damage to the unit if it is not adequately mounted.**
 - **WARNING: The installer is responsible for verifying that the wall to which the mount is anchored will safely support the combined load of all attached components or other equipment.**
 - **WARNING: The weight of the display placed on the mount must not exceed 40 lbs. (18.1 kg), the maximum load capacity of the mount.**
 - **WARNING: Watch for pinch points. Do not put your fingers between movable parts.**
 - **WARNING: Make sure the mount and brackets are correctly oriented.**
 - **CAUTION:** Check the unit for shipping damage before you begin the installation.

CONTENTS

SPECIFICATIONS 1

TOOLS REQUIRED FOR INSTALLATION 1

DRAWINGS 2

INSPECT THE UNIT BEFORE INSTALLING 3

iC-SP-TP1-01 INSTALLATION 3

ADJUSTMENTS 5

ADJUSTMENTS 5

SPECIFICATIONS

This mount accommodates all VESA® 75mm/100mm compliant displays. Table 1 provides mount specifications.

Table 1: Specifications

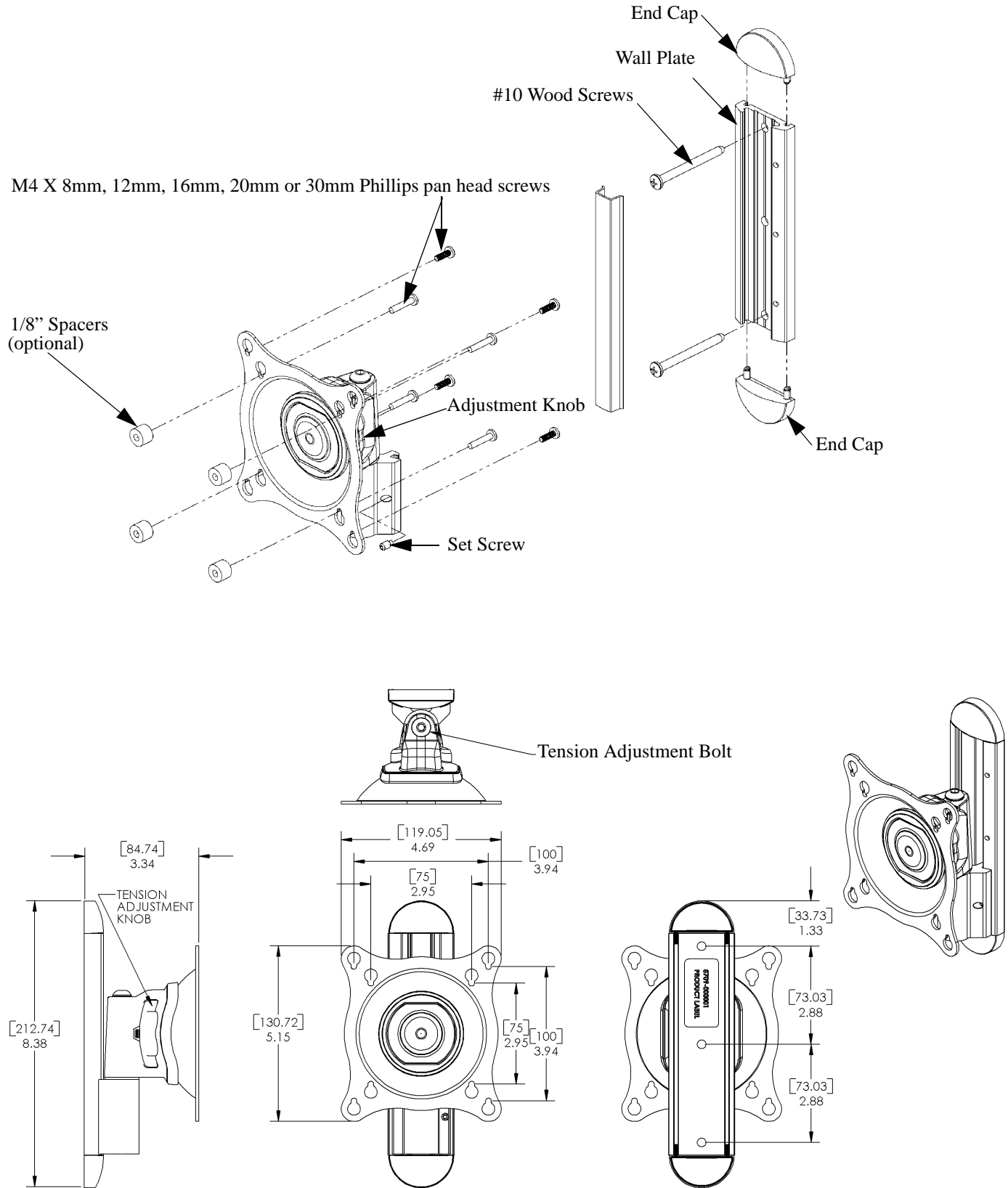
Depth from Wall	3.34" (84.74mm) deep in the closed position
Dimensions (WxHxD)	2-3/8" x 5-11/16" x 1-13/16" (61 x 145 x 46 mm)
Tilt	+/-15 degrees
Pivot	180 degrees
Weight Capacity	40 lbs. (18.2 kg)

TOOLS REQUIRED FOR INSTALLATION

- Electric drill and bit set
- Phillips Screwdriver
- Level

NOTE: Other tools may be required depending on the mounting surface and method of installation.

DRAWINGS



INSPECT THE UNIT BEFORE INSTALLING

WARNING: Watch for pinch points. Do not put your fingers between movable parts.

1. Carefully inspect the mount for shipping damage. If any damage is apparent, call your carrier claims agent and do not continue with the installation until the carrier has reviewed the damage.

NOTE: Read all instructions before starting installation.

2. Lay out components to ensure you have all the required parts before proceeding (see drawing on page 2).

INSTALLATION

WARNING: It is the responsibility of the installer to verify that the structure to which the mount is anchored will safety support five times the combined load of all attached components and equipment.

1. Determine the exact mounting location prior to installation, considering the unit's swing radius.
2. Using the wall plate as a template, drill two 3/32" pilot holes to a minimum depth of 1 1/2" into wall stud.
3. Using two Phillips head #10 wood screws (supplied), secure the wall plate (see Figure 1).
4. Install screw cover (see Figure 2).
5. Check mount to insure it is level and adjust to level if necessary.
6. Determine if you are installing a VESA compliant flush mount display, VESA compliant recessed mount display or a non-VESA compliant display and follow the appropriate instructions.

VESA Compliant Flush Mounting

- A. Install the mount on the wall plate, set to desired height at one of the fixed height settings and secure by tightening the set screw (see Figure 3).
- B. Install the end caps on the wall plate (see Figure 4).

CAUTION: If monitor uses a screw size other than M4, DO NOT use the M4 screws provided. Using the wrong screws could result in damage to your display.

- C. Start two M4 X 12mm Phillips pan head screws in the top mounting holes of your display.
- D. Matching the hole pattern on your display with the hole pattern on the mount (see Figure 5), hang the mount from the two screws started in Step A.

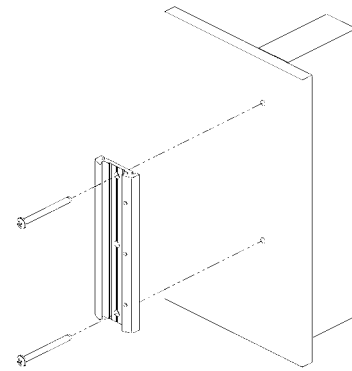


Figure 1. Secure Wall Plate

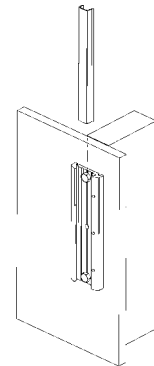


Figure 2. Install Screw Cover

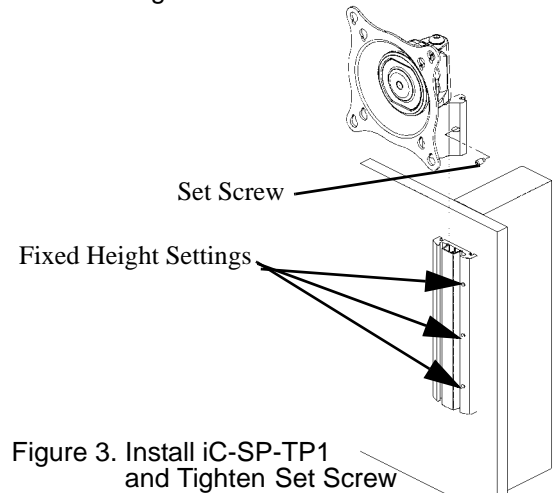


Figure 3. Install iC-SP-TP1 and Tighten Set Screw

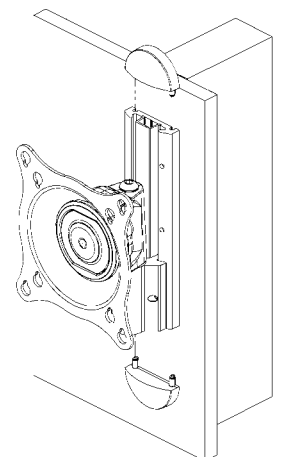


Figure 4. Install End Caps

- E. Install two remaining Phillips pan head screws through the mount and into the mounting holes of your display.
- F. Secure your display to the mount by tightening the four Phillips pan head screws.

WARNING: Make sure your cables do not run through a pinch point.

- G. Connect and secure power/audio/video cables, making sure to leave sufficient slack to allow for movement of the display.

VESA Compliant Recessed Mounting

- A. Place four 1/2" X 3/8" Nylon spacers or four 1/2" X 3/4" Nylon spacers, as necessary, over the mounting holes of your display (see Figure 6).
- B. Place the mount over the Nylon spacers, matching the hole pattern on your display (75mm or 100mm) with the hole pattern on the mount.
- C. Using four M4 X 20mm Phillips pan head screws for 1/2" X 3/8" Nylon spacer installation or four M4 X .7 X 30mm Phillips pan head screws for the 1/2" X 3/4" Nylon spacer installation, secure the mount to your display.
- H. Install the mount on the wall plate, set to desired height at one of the fixed height settings and secure by tightening the set screw (see Figure 3).
- J. Install the end caps on the wall plate (see Figure 4).

WARNING: Make sure your cables do not run through a pinch point.

- K. Connect and secure power/audio/video cables, making sure to leave sufficient slack to allow for movement of the display.

Non-VESA Compliant Mounts

- A. Contact Chief Manufacturing for custom interface brackets.

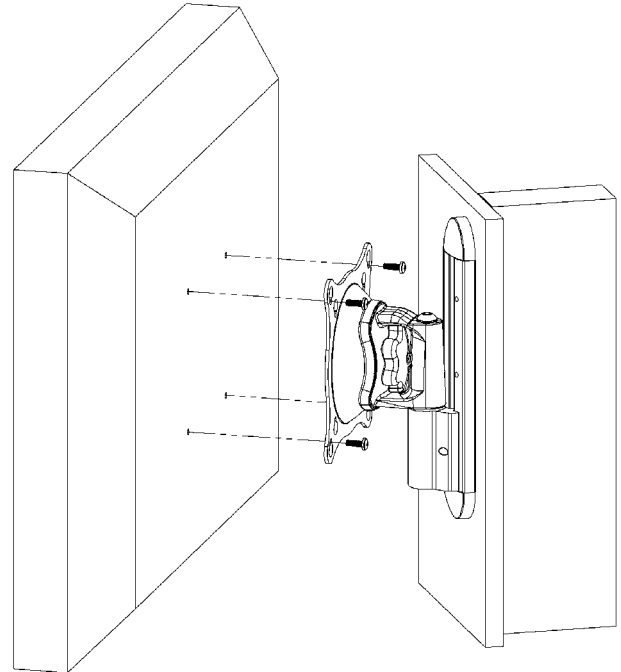


Figure 5. Flush Mounting

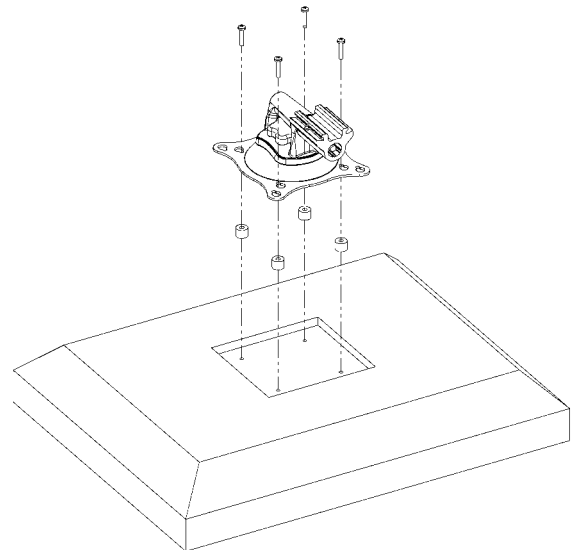


Figure 6. Recessed Mounting

INSTALLATION (200mm x 100MM)

Attach Interface Adapter to Display

1. Select six M4 X 16mm Phillips flat head screws and six 1/8" nylon retaining spacers.
2. Place display face down on a clean dry surface.
3. Align six 1/8" nylon spacers over mounting holes in display back (see Figure 7).
4. Align interface bracket mounting holes with 1/8" nylon spacers.
5. Install six M4 X 16mm Phillips flat head screws through six mounting holes in interface bracket, spacers and into display (see figure 7).
6. Tighten six M4 X 16mm Phillips flat head screws.

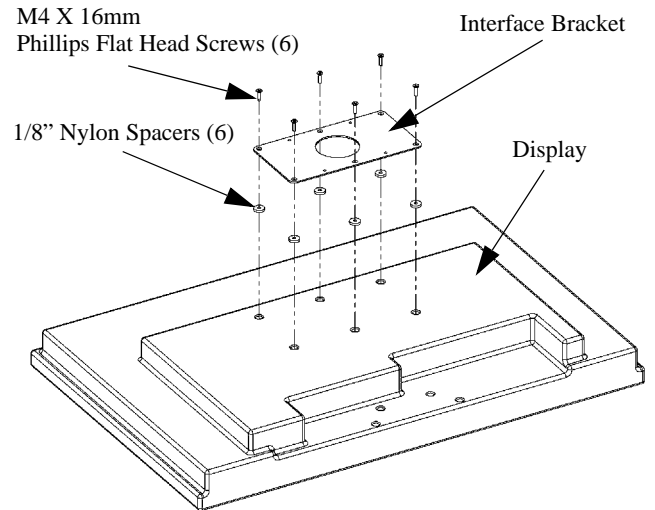


Figure 7. Install Interface Bracket

Attach Centris Bracket to Display

1. Start two M4 x 8mm Phillips pan head screws into the top two mounting holes of interface bracket (see figure 8).
2. Hang mount from two screws.
3. Install the remaining two M4 x 8mm Phillips pan head screws into the bottom two mounting holes of interface bracket.
4. Secure the display to the mount (Centris bracket) by tightening four M4 x 8mm Phillips pan head screws.

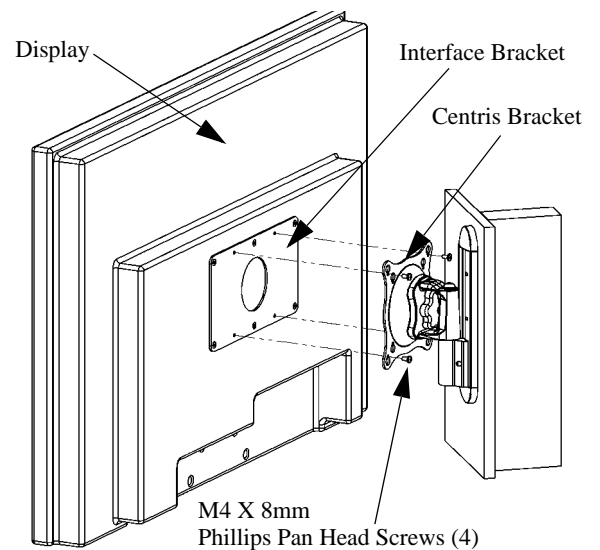


Figure 8. Attach Centris Bracket to Display

ADJUSTMENTS

CAUTION: Overtightening adjustment will cause excessive wear.

Rotational Tilt, Pitch, and Roll Adjustment

1. If necessary, use a Phillips screwdriver to tighten or loosen the Phillips pan head screw (see DRAWINGS).
2. Check for desired tension.
3. Repeat Steps 1 and 2 until desired tension is obtained.

Lateral Tension Adjustment

1. Using a 3/16" hex wrench (provided), slightly tighten or loosen lateral tension adjustment bolt (see DRAWINGS).
2. Check for desired tension.
3. Repeat Steps 1 and 2 until desired tension is obtained.

Chief Manufacturing Inc.
8401 Eagle Creek Parkway, Suite 700
Savage, MN 55378, USA
PHONE: 800.582.6480
PHONE: 952.277.3901
FAX: 952.894.6918
FAX: 877.894.6918
www.chiefmfg.com

CSAV Europe B.V.
Zekeringstraat 17, 1014 BM
Amsterdam, Netherlands
PHONE: 31 (0)20 5708923
FAX: 31 020 5708989
europa@chiefmfg.com