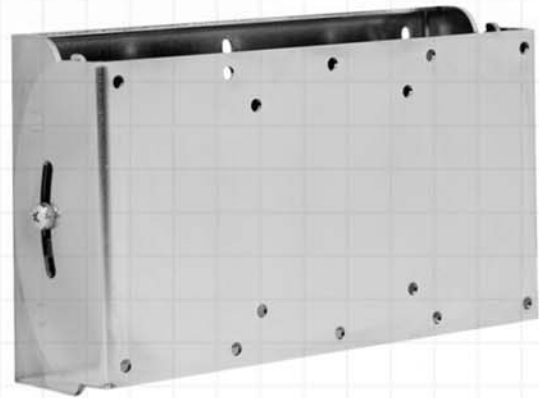


Installation Instructions

Universal Tilt or Swivel
Flat Panel Wall Mount
for LCD TVs and Monitors



MSP-BBST

IMPORTANT WARNINGS and CAUTIONS!

WARNING	A WARNING alerts you to the possibility of serious injury or death if you do not follow the instructions.
CAUTION	A CAUTION alerts you to the possibility of damage or destruction of equipment if you do not follow the corresponding instructions.
WARNING	Improper installation can result in serious personal injury! Make sure that the mounting surface can support a redundant weight factor <i>five times</i> the total weight of the equipment. If not, reinforce the mounting surface structural members before installing the mount.
WARNING	Be aware of the potential for personal injury or damage to the unit if it is not adequately mounted.
WARNING	The installer is responsible for verifying that the mounting surface to which the mount is anchored will safely support the combined load of all attached components or other equipment.
WARNING	Weight Specifications (see Table 1).
WARNING	Watch for pinch points. Do not put your fingers between movable parts.
WARNING	Make sure the mount is correctly oriented.
CAUTION	Check the unit for shipping damage before you begin the installation.
CAUTION	If your monitor uses a longer screw size other than those included in the kit, <u>DO NOT</u> use the screws provided with the mount. Use the screws provided with your monitor or contact the manufacturer. Using the wrong screws could result in damage to your monitor.

WEIGHT SPECIFICATIONS

Table 1 contains the weight specifications for the various tilt mount VESA configurations.

Table 1. Weight Specifications

VESA HOLE PATTERN	4-HOLE	6-HOLE	FLUSH MOUNT	RECESSED MOUNT	MAX SUPPORT WEIGHT
75MM X 75MM	X		X	X	45 LBS. (20.4KG)
100MM X 100MM	X		X	X	45 LBS. (20.4KG)
200MM X 100MM		X	X	X	45 LBS. (20.4KG)
200MM X 200MM	X		X		45 LBS. (20.4KG)

CONTENTS

WEIGHT SPECIFICATIONS2
 TOOLS REQUIRED FOR INSTALLATION3
 TILT MOUNT KIT4
 Tilt Mount Without Bracket Adapters5
 Tilt Mount With Bracket Adapters5
 INSTALLATION6
 Wall Stud Installation (Step 1)6
 Attaching the VESA Bracket to the Display (Step 2) ..6
 Flush Mount (Without Bracket Adapter).....7
 Recessed Mount8
 Flush Mount (With Bracket Adapter).....9
 Mounting the Display on the Wall Bracket (Step 3)....10
 Locking the Display on the Wall Bracket (Step 4)10

TOOLS REQUIRED FOR INSTALLATION

- Phillips screwdriver
- Drill and drill bits

NOTE: Other tools may be required depending on your method of installation.

TILT MOUNT KIT

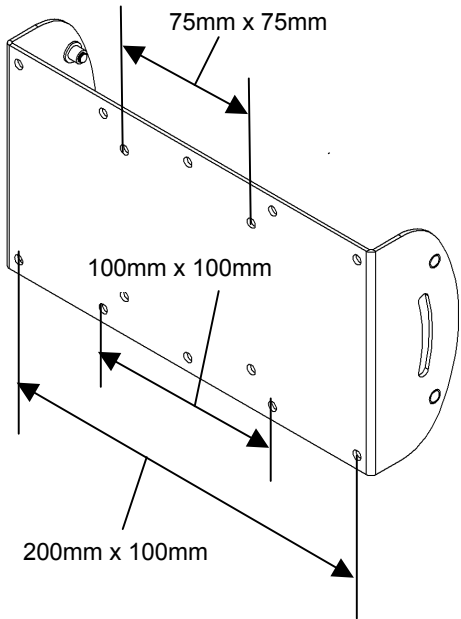
Unpack the carton. Verify the kit contents shown in Table 2. Read installation instructions completely. If you are missing any of the listed components, please contact Customer Service at 1-800/582-6480.

Table 2. Tilt Mount Kit

ITEM NUMBER	DESCRIPTION	QTY	NOTES
10	BRKT, VESA TILT INTERFACE	1	
20	BRKT, WALL TILT MOUNT	1	
30	PHILLIPS HEAD WOOD SCREW, 2-1/2"	2	SINGLE STUD MOUNTED
40	NYLON WASHER	2	TILT ADJUSTMENT
50	PHILLIPS PAN HEAD MACHINE SCREW, M5 X 10MM	2	
60	PHILLIPS PAN HEAD MACHINE SCREW, M4 X 12MM OR	6	FLUSH MOUNT
	PHILLIPS PAN HEAD MACHINE SCREW, M4 X 12MM	4	200MM X 200MM MOUNT
70	PHILLIPS PAN HEAD MACHINE SCREW, M4 X 20MM (USE WITH 80 OR 110) *	6	RECESSED MOUNT
80	3/8" NYLON SPACER	6	
90	PHILLIPS PAN HEAD MACHINE SCREW, M4 X 30MM (USE WITH 100) **	6	
100	3/4" NYLON SPACER	6	
110	1/8" NYLON SPACER (USE WITH 90) ***	6	
120	BRACKET ADAPTER	2	200MM X 200MM MOUNT
130	WASHER, M4	4	
140	PHILLIPS PAN HEAD MACHINE SCREW, M6 X 10MM	4	
150	PHILLIPS PAN HEAD MACHINE SCREW, M4 X 5MM	4	

- *Use M4 x 20mm screws (70) with spacers (80) for recessed mount applications.
- **Use M4 x 30mm screws (90) with spacers (100) for recessed mount applications.
- ***Use M4 x 20mm screws (70) with spacers (110) for recessed mount applications.

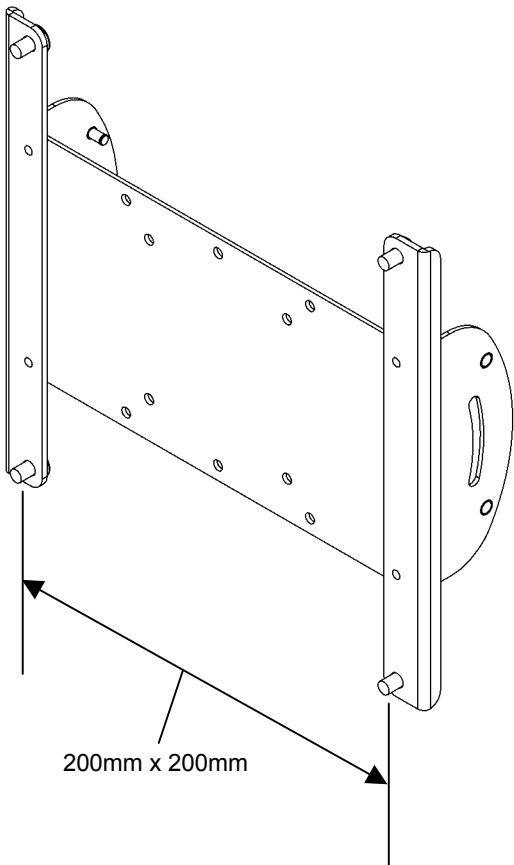
Tilt Mount Without Bracket Adapters



VESA CHART (WITHOUT BRACKET ADAPTERS)

VESA HOLE PATTERN	4-HOLE	6-HOLE	FLUSH MOUNT	RECESSED MOUNT
75MM X 75MM	X		X	X
100MM X 100MM	X		X	X
200MM X 100MM		X	X	X

Tilt Mount With Bracket Adapters



VESA CHART (WITH BRACKET ADAPTERS)

VESA HOLE PATTERN	4-HOLE	FLUSH MOUNT
200MM X 200MM	X	X

INSTALLATION

The following procedures describe how to install the tilt mount.

NOTE: Read “Warnings and Cautions” on Page 2.

Wall Stud Installation (Step 1)

Install the wall bracket on a wall stud, as follows:

1. Determine the exact mounting location prior to installation, considering screen size as well as the mount swing and extension radius.
2. Position the wall bracket (20) as desired.

NOTE: Mark the mounting holes as accurately as possible before drilling the holes. The holes must be centered for the wall bracket to fit correctly on the wall.

3. Locate stud and, using wall bracket (20) as a template at the desired height, mark the location of the two center mounting holes.
4. Using the two wood screws (30), secure wall bracket (20) to wall.

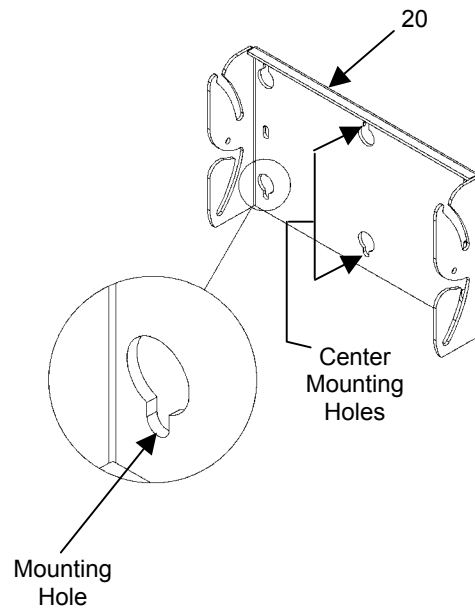


Figure 1. Installing Wall Bracket — Wall Stud

Attaching the VESA Bracket to the Display (Step 2)

Depending on the VESA hole-pattern on your display, select the applicable set of instructions, listed below, to attach the VESA bracket to your display:

- Flush Mount (Without Bracket Adapter)
 - 75mm/75mm compliant displays
 - 100mm/100mm compliant displays
 - 200mm/100mm compliant displays
- Recessed Mount (spacers are used)
 - 75mm/75mm compliant displays
 - 100mm/100mm compliant displays
 - 200mm/100mm compliant displays
- Flush Mount (With Bracket Adapter)
 - 200mm/200mm compliant displays

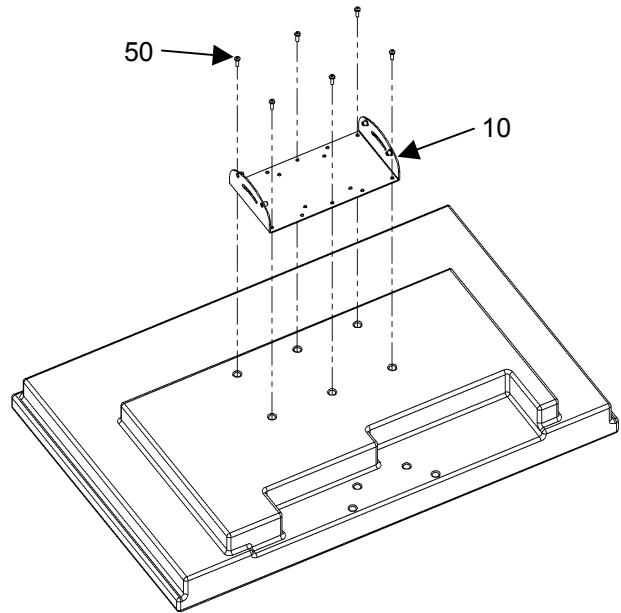
CAUTION:

If monitor uses a screw size other than those included in the kit, **DO NOT** use the screws provided. Using the wrong screws could result in damage to your monitor.

Flush Mount (Without Bracket Adapter)

To attach the VESA bracket using the recessed mount procedure, do the following:

1. Place the VESA bracket (10) on the display.
2. Align the hole-pattern of your display with the hole-pattern on the VESA bracket (10).
3. Attach VESA bracket (10) to the display using six M4 X 10mm screws (50) provided.



**Figure 2. Flush Mount
200mm/100mm Display (shown)**

Recessed Mount

To attach the VESA bracket using the recessed mount procedure, do the following:

1. Refer to the applicable table (listed below) and select six screws and six spacers.
 - See to Table 3 for 75mm/100mm and 100mm/100mm compliant displays.
 - See Table 4 for 200mm/100mm compliant displays.
2. Select option 1, 2, or 3 to pick the applicable screw and spacer combination.
3. Set six spacers over the four mounting holes on your monitor (see Figure 3. Recessed Mount 200mm/100mm Display (shown)).
4. Set VESA interface bracket (10) on top of spacers and install six screws into the mounting holes of your display.

NOTE:
For additional information, see VESA Chart, page 5

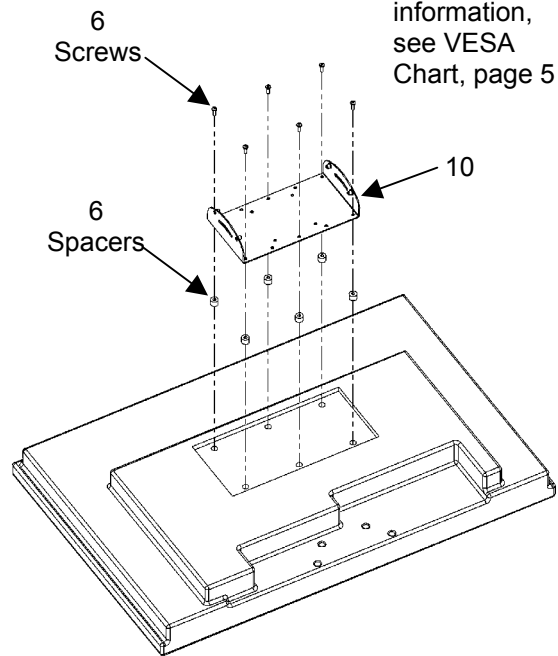


Table 3. 75mm/75mm and 100mm /100mm Compliant Displays

OPTION	SCREW	QTY	SPACER	QTY
1	70	4	80	4
2	90	4	100	4
3	70	4	110	4

Figure 3. Recessed Mount 200mm/100mm Display (shown)

Table 4. 200mm/100mm Compliant Displays

OPTION	SCREW	QTY	SPACER	QTY
1	70	6	80	6
2	90	6	100	6
3	70	6	110	6

Flush Mount (With Bracket Adapter)

To attach the VESA bracket using the recessed mount procedure, do the following:

1. Select the two bracket adapters (120), four washers (130), and four screws (refer to the Table 5) that will be used to install the VESA bracket for 200mm/200mm compliant displays.
2. Align the two bracket adapters (120) with the 200mm/200mm hole-pattern of your display.
3. To attach the two bracket adapters (120) to your display, use one of the following options:
 - a. Four M6 X 10mm screws (140). Or,
 - b. Four M4 X 12mm screws (60) and four M4 washers (130).
4. Place the VESA bracket (10) on the two bracket adapters (120).
5. Align the VESA bracket (10) with the hole-pattern on the two bracket adapters (120).
6. Attach VESA bracket (10) to the two bracket adapters (120) using four M4 X 5mm screws (150).
7. Tighten (do not over-tighten) the screws.

Table 5. 200mm /200mm Compliant Displays

ITEM	DESCRIPTION	QTY	NOTES
120	BRACKET ADAPTER	2	2
130	WASHER, M4 (USE WITH 60)	4	4
140	PHILLIPS SCREW, M6 X 10MM	4	BRACKET ADAPTER TO DISPLAY
60	PHILLIPS SCREW, M4 X 12MM	4	
150	PHILLIPS SCREW, M4 X 5MM	4	VESA BRACKET TO BRACKET ADAPTER

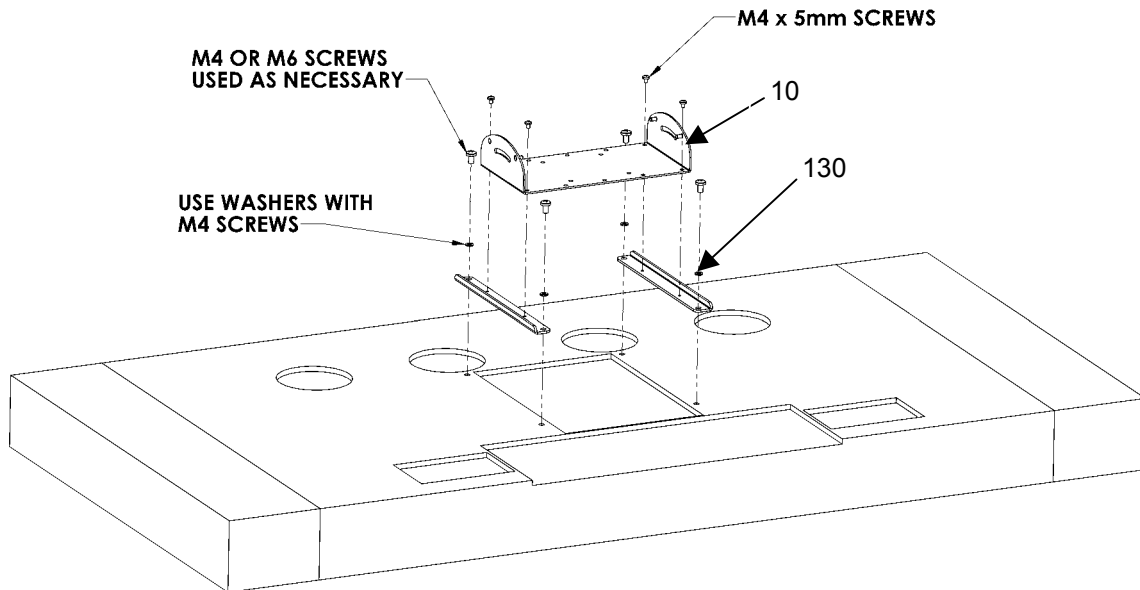


Figure 4. Flush Mount — 200mm x 200mm Compliant Displays

Mounting the Display on the Wall Bracket (Step 3)

To mount the display on the wall bracket, do the following:

1. With an assistant (if necessary), lift the display up to the wall bracket (20) over the four mounting pins.
2. Align the mounting pins on the display with the slots in the wall bracket (20), and set the display into place.
3. Verify that the display tilts on the wall bracket (20).

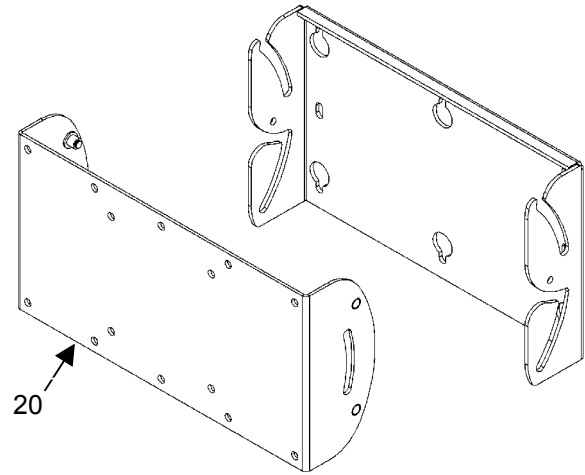


Figure 5. Assemble the Brackets

Locking the Display on the Wall Bracket (Step 4)

To lock the display on the wall bracket, do the following:

1. Assemble a washer (40) over each M5 screw (50). Install the two M5 (50) screw assemblies into the tapped holes located on the side of the wall bracket (20).
2. Set the display into the desired position. Tighten the M5 screw (50) until friction holds the display stationary.

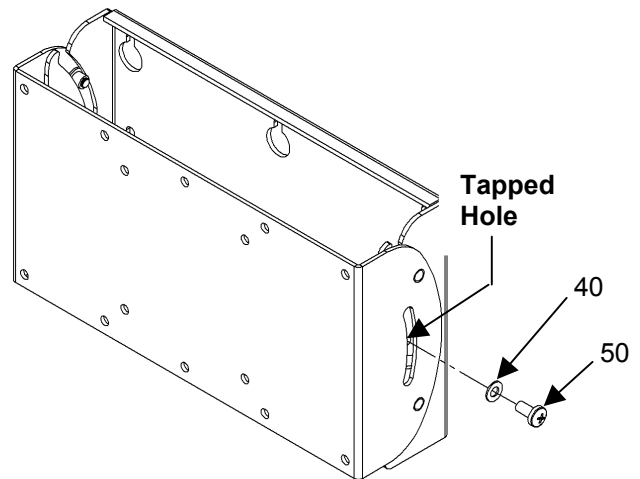


Figure 6. Install the M5 Screw

Chief Manufacturing Inc.
8401 Eagle Creek Parkway, Suite 700
Savage, MN 55378, USA
PHONE: 800.582.6480
PHONE: 952.277.3901
FAX: 952.894.6918
FAX: 877.894.6918
www.chiefmfg.com

CSAV Europe B.V.
Zekeringstraat 17, 1014 BM
Amsterdam, Netherlands
PHONE: 31 (0)20 5708923
FAX: 31 020 5708989
europe@chiefmfg.com