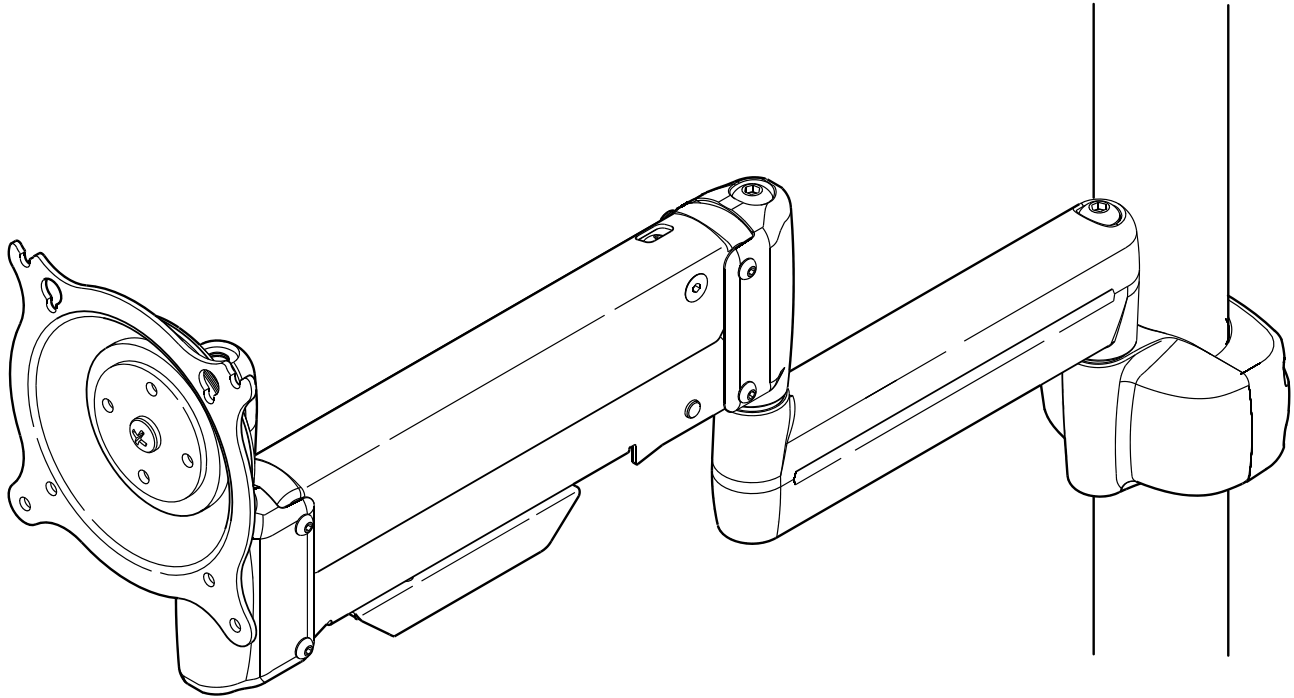

INSTALLATION INSTRUCTIONS



Pole Mount Height Adjustable Swing Arm Mount

 **CHIEF**[®]

MSPBHFPG110

DISCLAIMER

CSAV, Inc., and its affiliated corporations and subsidiaries (collectively, "CSAV"), intend to make this manual accurate and complete. However, CSAV makes no claim that the information contained herein covers all details, conditions or variations, nor does it provide for every possible contingency in connection with the installation or use of this product. The information contained in this document is subject to change without notice or obligation of any kind. CSAV makes no representation of warranty, expressed or implied, regarding the information contained herein. CSAV assumes no responsibility for accuracy, completeness or sufficiency of the information contained in this document.

! IMPORTANT WARNINGS AND CAUTIONS!

! WARNING: A WARNING alerts you to the possibility of serious injury or death if you do not follow the instructions.

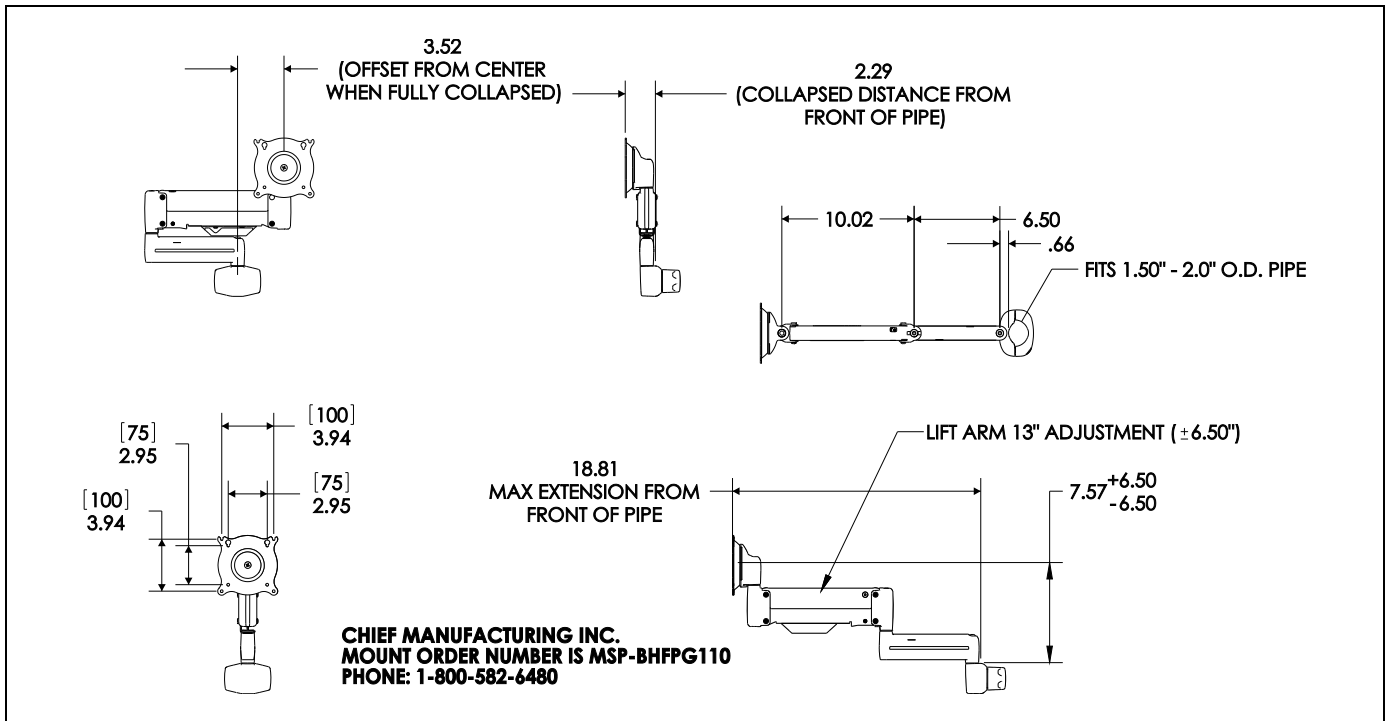
! CAUTION: A CAUTION alerts you to the possibility of damage or destruction of equipment if you do not follow the corresponding instructions.

! WARNING: Failure to read, thoroughly understand, and follow all instructions can result in serious personal injury, damage to equipment, or voiding of factory warranty! It is the installer's responsibility to make sure all components are properly assembled and installed using the instructions provided.

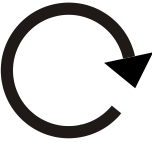
! WARNING: Failure to provide adequate structural strength for this component can result in serious personal injury or damage to equipment! It is the installer's responsibility to make sure the structure to which this component is attached can support five times the combined weight of all equipment. Reinforce the structure as required before installing the component.


! WARNING: Exceeding the weight capacity of the mount can result in serious personal injury or damage to equipment! It is the installer's responsibility to make sure the combined weight of the mount and all attached components does not exceed 25lbs (11.34kg).

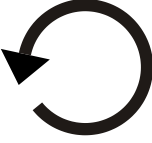
DIMENSIONS




LEGEND

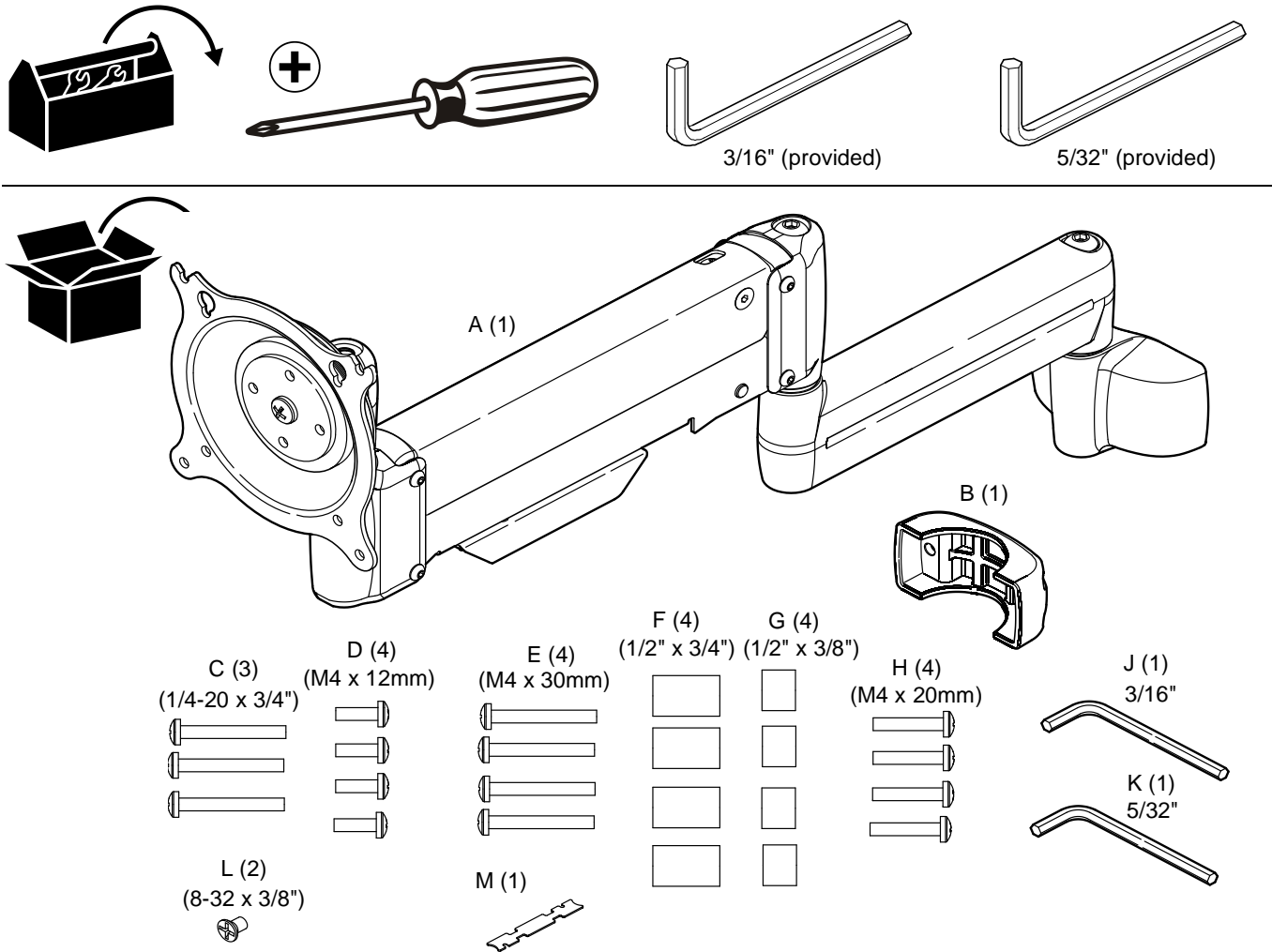
	Tighten Fastener
	Apretar elemento de fijación
	Befestigungsteil festziehen
	Apertar fixador
	Serrare il fissaggio
	Bevestiging vastdraaien
	Serrez les fixations
Сожмите Застежку	


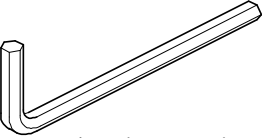
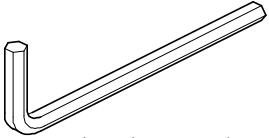
	Hex-Head Wrench
	Llave de cabeza hexagonal
	Sechskantschlüssel
	Chave de cabeça sextavada
	Chiave esagonale
	Zeskantsleutel
	Clé à tête hexagonale
Ключ с шестигранной головкой	

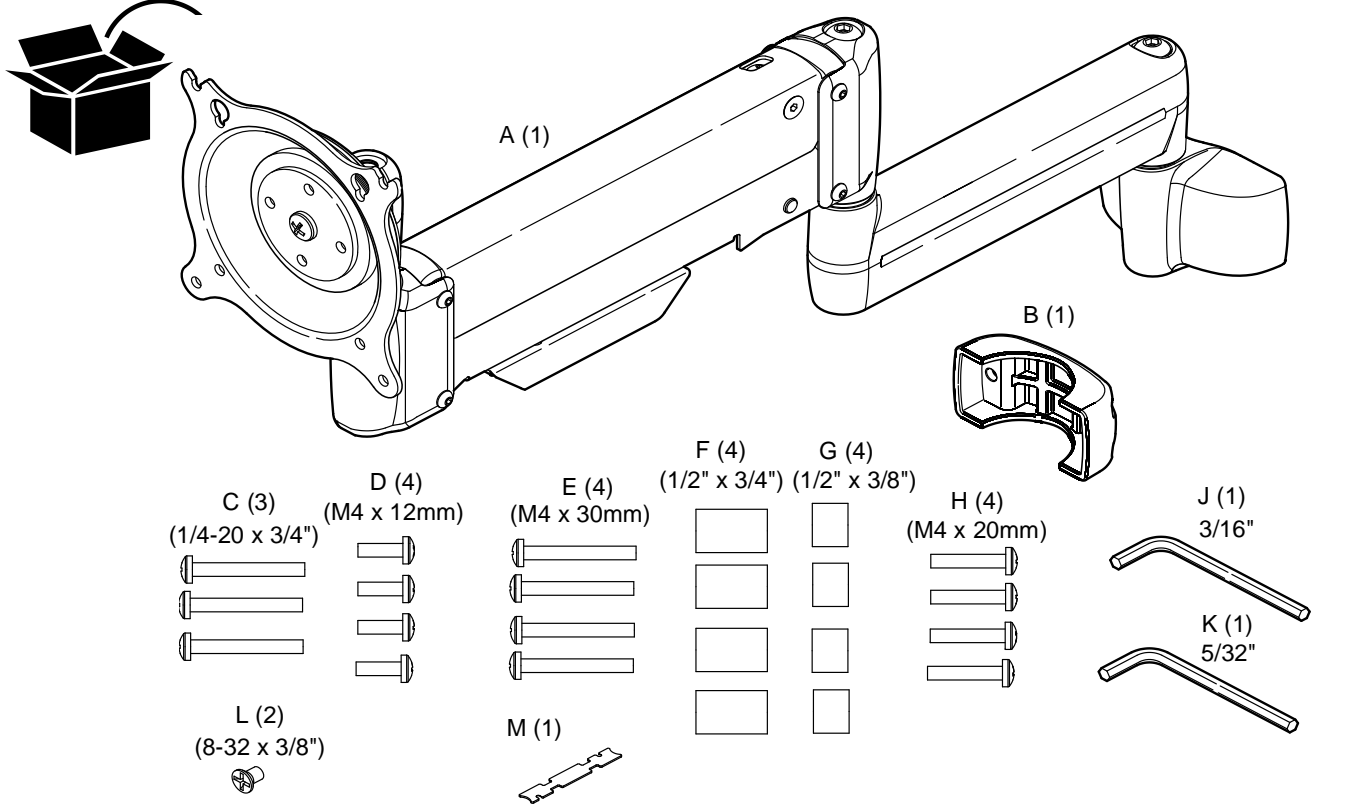
	Loosen Fastener
	Aflojar elemento de fijación
	Befestigungsteil lösen
	Desapertar fixador
	Allentare il fissaggio
	Bevestiging losdraaien
	Desserrez les fixations
Ослабьте Застежку	

	Phillips Screwdriver
	Destornillador Phillips
	Kreuzschlitzschraubendreher
	Chave de fendas Phillips
	Cacciavite a stella
	Kruiskopschroevendraaier
	Tournevis à pointe cruciforme
Отвертка	

TOOLS REQUIRED FOR INSTALLATION AND PARTS




 3/16" (provided)
  5/32" (provided)



A (1)
B (1)
C (3) (1/4-20 x 3/4")
D (4) (M4 x 12mm)
E (4) (M4 x 30mm)
F (4) (1/2" x 3/4")
G (4) (1/2" x 3/8")
H (4) (M4 x 20mm)
J (1) 3/16"
K (1) 5/32"
L (2) (8-32 x 3/8")
M (1)

INSTALLATION

Mount Installation



WARNING: IMPROPER INSTALLATION CAN LEAD TO MOUNT FALLING CAUSING SERIOUS PERSONAL INJURY OR DAMAGE TO EQUIPMENT! DO NOT substitute hardware. Only use hardware provided or specified by manufacturer.

1. Determine desired mounting location taking display size and mount turn radius into consideration. (See Figure 1)
2. Loosely assembly swing arm assembly (A) to back mounting bracket (B) using three Button head screws (C). (See Figure 1)
3. Position mount and tighten all screws.

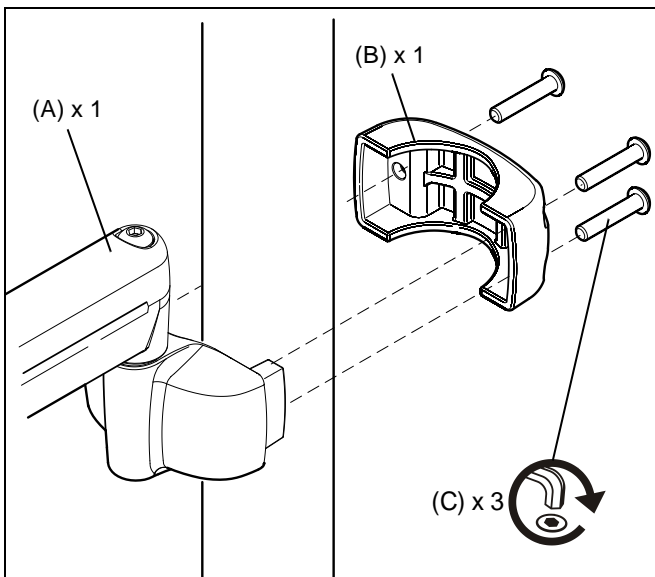


Figure 1

Display Installation

Ensure Centris head is able to swivel and tilt easily, yet still be tight enough to hold display in desired position (See Figure 2). Adjust as required before proceeding. See "ADJUSTMENTS" for detail.

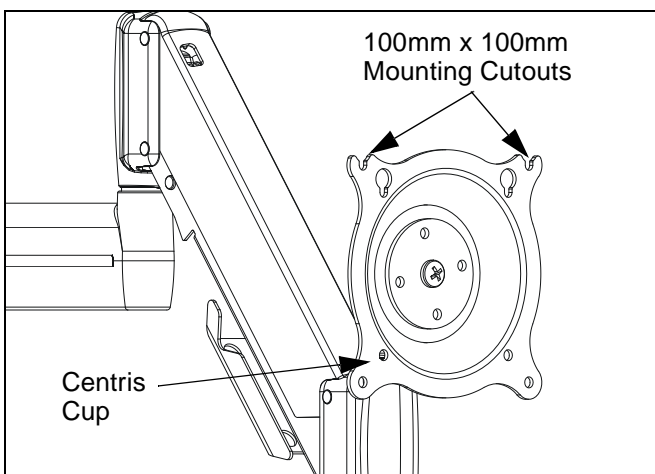


Figure 2

4. Orient Centris cup so that 100mm x 100mm mounting cutouts are on top (See Figure 2).

Recessed Mount Display

IMPORTANT ! : Spacers (F, G) are used only if your display has a recessed mounting surface, and the Centris bracket will not fit into that cavity. (See Figure 3)

1. Carefully place display face down on a clean, dry surface.
2. Place four spacers (F,G) over each mounting hole on display. (See Figure 3)
3. Orient mount (A) so that mounting holes in Centris cup are aligned with holes in spacers (F,G). (See Figure 3)



CAUTION: USING SCREWS OF IMPROPER SIZE CAN DAMAGE DISPLAY! Proper screws will easily and completely thread into display mounting holes.

4. Using Phillips screwdriver, install four screws (E,H) through mounting holes/cutouts in Centris cup, through spacers (F,G), and into the display. (See Figure 3)
5. Tighten all screws. Do not overtighten!

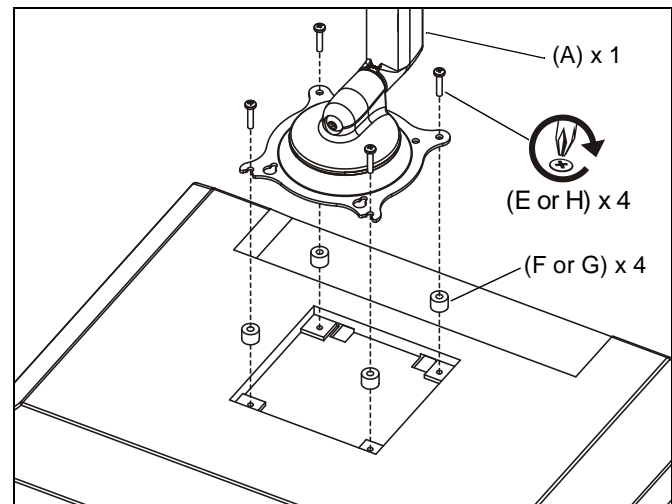


Figure 3

Flush Mount Display

IMPORTANT ! : If your display has a recessed mounting hole cavity, and the Centris bracket will not fit into that cavity (See Figure 3), then follow the "Recessed Mount Display" procedure.



CAUTION: Using screws of improper size may damage your display! Proper screws will easily and completely thread into display mounting holes.



CAUTION: Inadequate thread engagement in display may cause display to fall! Back out screws ONLY as necessary to allow installation of Centris bracket!

1. Using Phillips screwdriver, install two screws (D) into the upper mounting holes on display (See Figure 4). Thread screws completely into display, then back out 3-1/2 turns.

2. Align display so that screws (D) (installed in previous step) fit into the *upper* 100mm x 100mm mounting cutouts, or *upper* 75mm x 75mm teardrop mounting holes in Centris cup and lower display into place. (See Figure 4)
3. Display will be hanging on upper two screws (D).

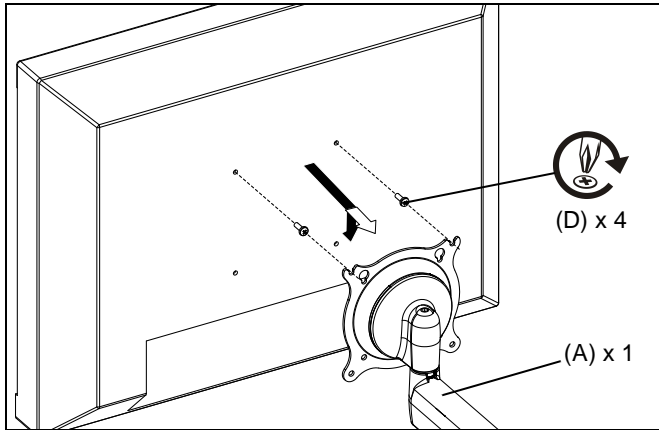


Figure 4

4. Using Phillips screwdriver, install two remaining screws (D) through *lower* mounting holes in Centris bracket into display. (See Figure 5)
5. Tighten all screws. Do not overtighten!

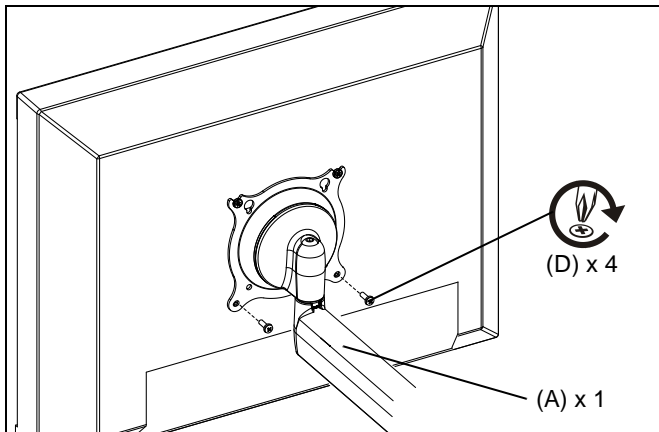


Figure 5

CABLE MANAGEMENT

1. Attach all cables to display.
2. Open the cable management bracket by sliding it towards the edge of the arm (See Figure 6).

NOTE: If necessary, cable management bracket attach screws may be loosened using hex key.

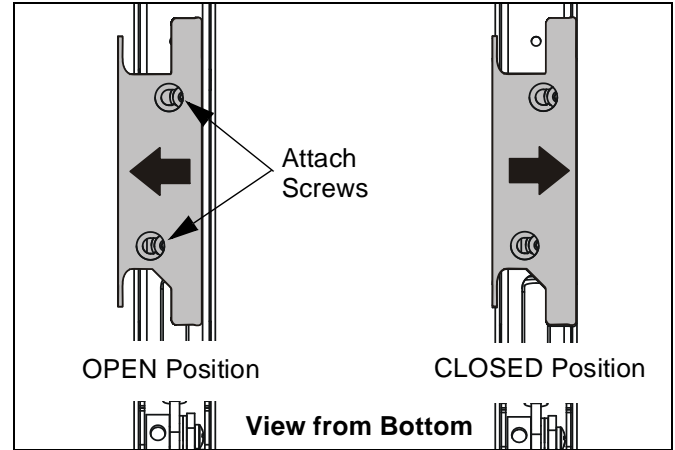


Figure 6



CAUTION: Ensure that adequate cable slack exists for movement of display, and that cables will not be pinched when bracket is closed.

3. Carefully insert cables into bracket. (See Figure 7)

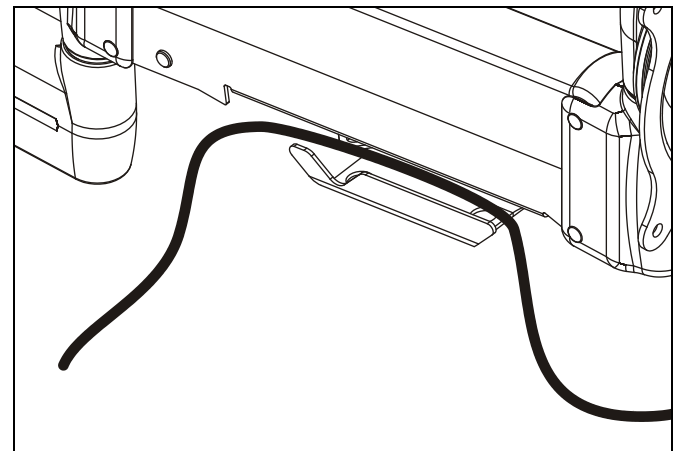


Figure 7

4. Close cable management bracket by sliding it back towards the centerline of the arm (See Figure 6).

NOTE: If necessary, cable management bracket attach screws may be tightened using hex key.



CAUTION: Ensure that adequate cable slack exists for movement of display, and that cables will not be pinched by installation of cover (M) or screws (L).

5. Carefully insert cables in cavity located in lower portion of mount arm (See Figure 8).
6. Using Phillips screwdriver, install cover (M) with two screws (L).

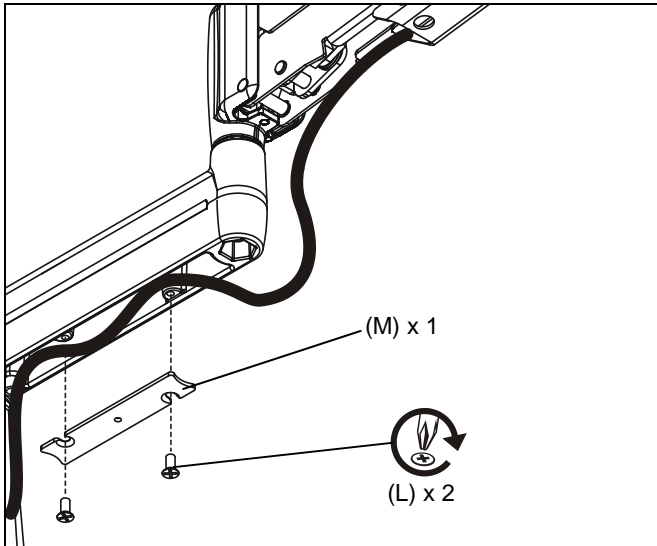


Figure 8

ADJUSTMENTS

ROLL/PITCH/YAW Tension Adjustment

1. If previously attached, disconnect cables from display, then remove display.
2. Using Phillips screwdriver, slightly loosen or tighten adjustment screw as necessary (See Figure 9).

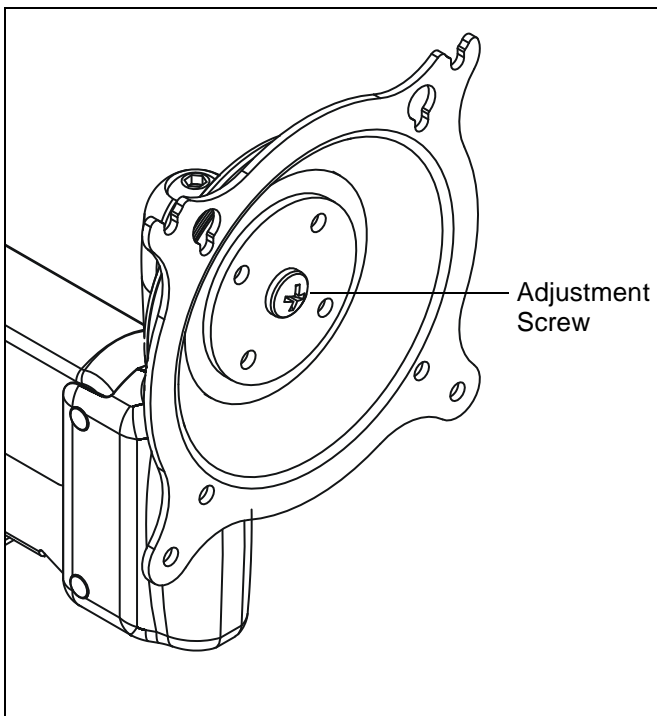


Figure 9

3. Install Display. See "DISPLAY INSTALLATION."

PIVOT/SWING Tension Adjustment

1. Using hex wrench, slightly loosen or tighten the adjustment screw(s) as necessary (See Figure 10).

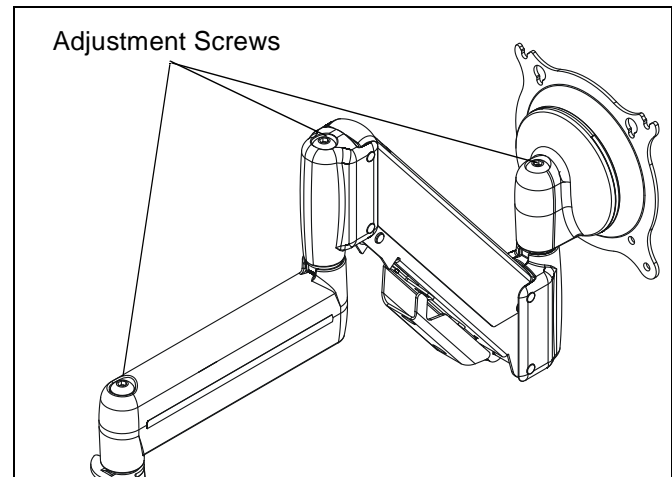


Figure 10

Height Adjust Tension Adjustment

1. Using hex key, slightly loosen or tighten the adjustment screw as necessary (See Figure 11).
 - If display settles on its own, then rotate adjustment screw counterclockwise (towards the "+" symbol).
 - If display rises on its own, then rotate adjustment screw clockwise (towards the "-" symbol).

NOTE: It may be necessary to raise or lower the height adjustable arm to expose the adjustment screw.

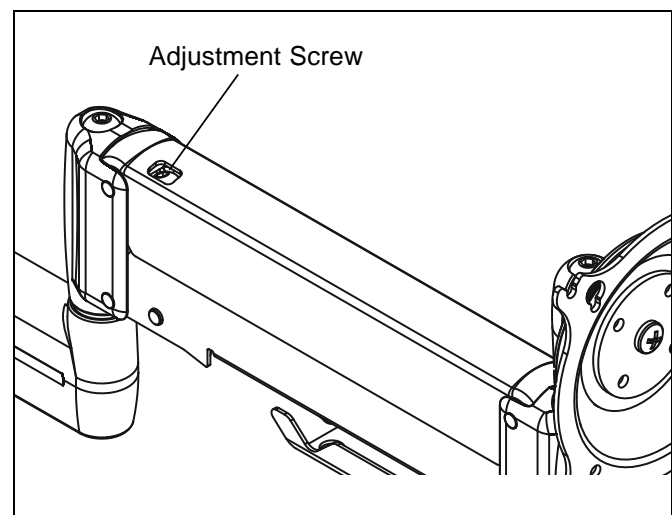


Figure 11



8807-000065
©2007 Chief Manufacturing
www.chiefmfg.com
02/07

USA/International	A 8401 Eagle Creek Parkway, Savage, MN 55378 P 800.582.6480 / 952.894.6280 F 877.894.6918 / 952.894.6918
Europe	A Fellenoord 130 5611 ZB EINDHOVEN, The Netherlands P +31 40 2668620 F +31 (0) 40 2668615
Asia Pacific	A Room 30I, Block D, Lily YinDu International Building LuoGang, BuJi Town, Shenzhen, CHINA. Post Code: 518112 深圳市布吉罗岗百合银都国际大厦D栋30I P +86-755-8996 9226 ; 8996 9236 ; 8996 9220 F +86-755-8996 9217