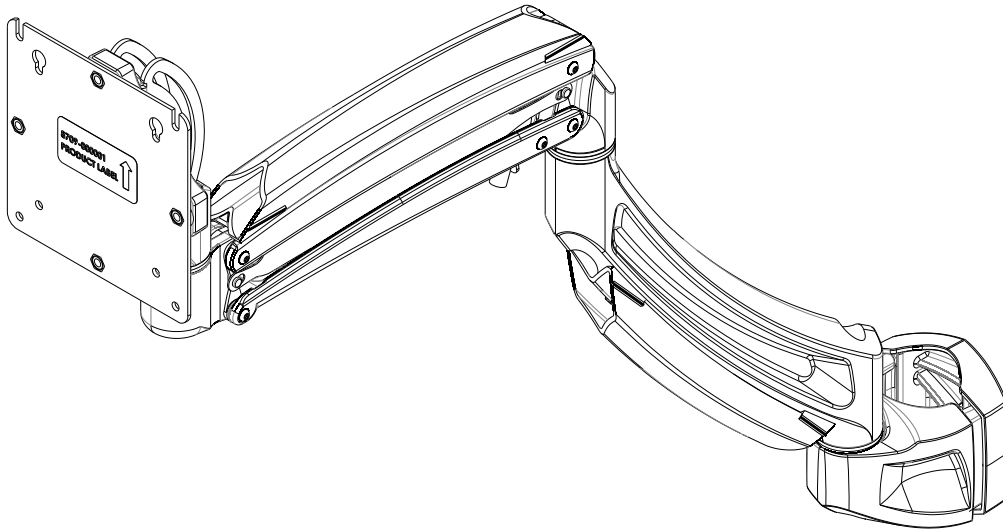

INSTALLATION INSTRUCTIONS



Pole-Mounted Monitor Arm

DISCLAIMER

Milestone AV Technologies and its affiliated corporations and subsidiaries (collectively "Milestone"), intend to make this manual accurate and complete. However, Milestone makes no claim that the information contained herein covers all details, conditions or variations, nor does it provide for every possible contingency in connection with the installation or use of this product. The information contained in this document is subject to change without notice or obligation of any kind. Milestone makes no representation of warranty, expressed or implied, regarding the information contained herein. Milestone assumes no responsibility for accuracy, completeness or sufficiency of the information contained in this document.


Chief® is a registered trademark of Milestone AV Technologies. All rights reserved.


DEFINITIONS

MOUNTING SYSTEM: A MOUNTING SYSTEM is the primary Chief product to which an accessory and/or component is attached.


ACCESSORY: AN ACCESSORY is the secondary Chief product which is attached to a primary Chief product, and may have a component attached or setting on it.

COMPONENT: A COMPONENT is an audiovisual item designed to be attached or resting on an accessory or mounting system such as a video camera, CPU, screen, display, projector, etc.





 **WARNING:** A WARNING alerts you to the possibility of serious injury or death if you do not follow the instructions.

 **CAUTION:** A CAUTION alerts you to the possibility of damage or destruction of equipment if you do not follow the corresponding instructions.


 **IMPORTANT SAFETY INSTRUCTIONS!**


 **WARNING:** Failure to read, thoroughly understand, and


LEGEND


	Tighten Fastener		Hex-Head Wrench
	Apretar elemento de fijación		Llave de cabeza hexagonal
	Befestigungsteil festziehen		Sechskantschlüssel
	Apertar fixador		Chave de cabeça sextavada
	Serrare il fissaggio		Chiave esagonale
	Bevestiging vastdraaien		Zeskantsleutel
Serrez les fixations	Clé à tête hexagonale		
	Loosen Fastener		Phillips Screwdriver
	Aflojar elemento de fijación		Destornillador Phillips
	Befestigungsteil lösen		Kreuzschlitzschraubendreher
	Desapertar fixador		Chave de fendas Phillips
	Allentare il fissaggio		Cacciavite a stella
	Bevestiging losdraaien		Kruiskopschroevendraaier
Desserrez les fixations	Tournevis à pointe cruciforme		


follow all instructions can result in serious personal injury, damage to equipment, or voiding of factory warranty! It is the installer's responsibility to make sure all mounting systems/ accessories are properly assembled and installed using the instructions provided.

 **WARNING:** Failure to provide adequate structural strength for this mounting system can result in serious personal injury or damage to equipment! It is the installer's responsibility to make sure the structure to which this mounting system is attached can support five times the combined weight of all equipment. Reinforce the structure as required before installing the mounting system.

 **WARNING:** Use this mounting system only for its intended use as described in these instructions. Do not use attachments not recommended by the manufacturer.

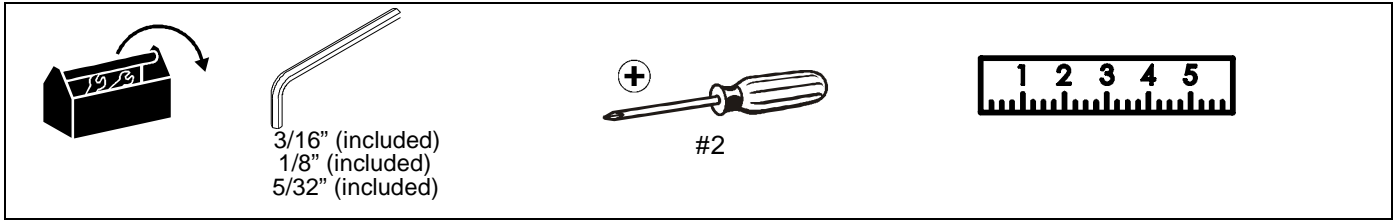
 **WARNING:** Never operate this mounting system if it is damaged. Return the mounting system to a service center for examination and repair.

 **WARNING:** Do not use this product outdoors.

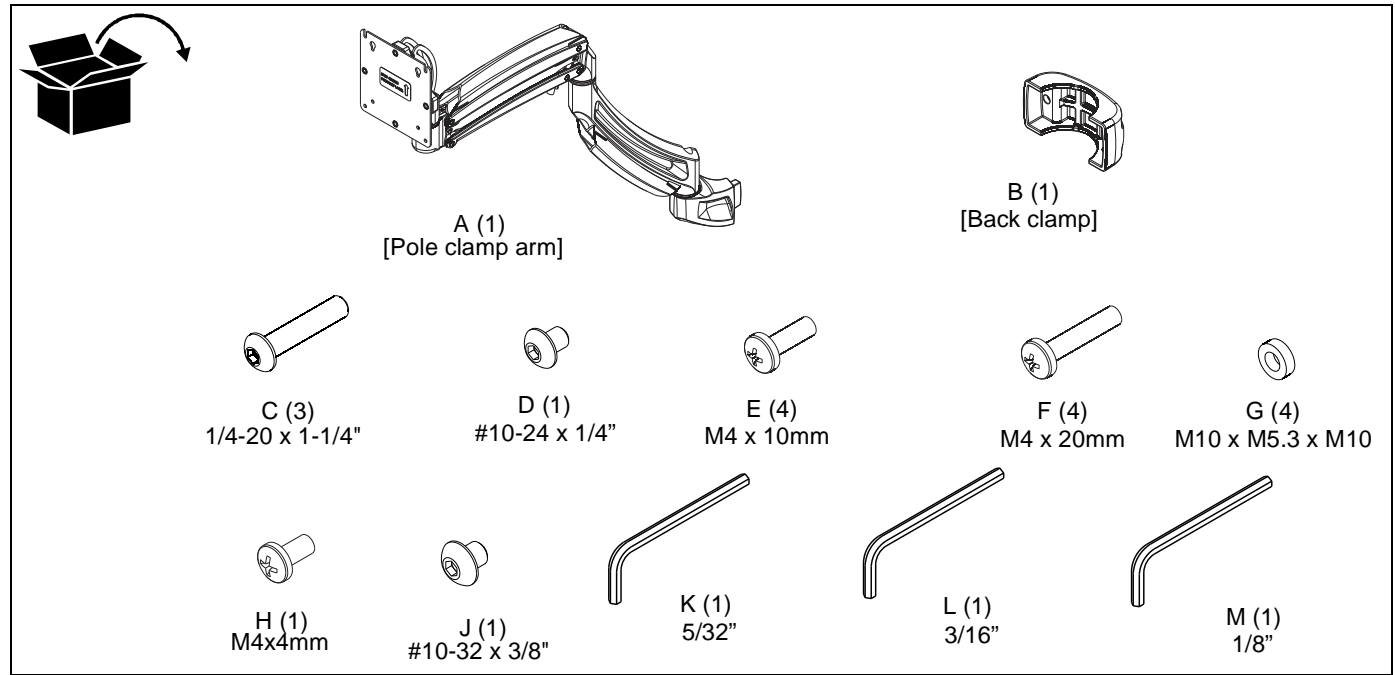
 **WARNING:** Exceeding the weight capacity can result in serious personal injury or damage to equipment! It is the installer's responsibility to make sure the combined weight of all components located attached to the MSP-BHK1P120 up to (and including) the display does not exceed 25 lbs (11.34 kg). Use with products heavier than the maximum weight indicated may result in collapse of the mount and its accessories causing possible injury.

--SAVE THESE INSTRUCTIONS!--

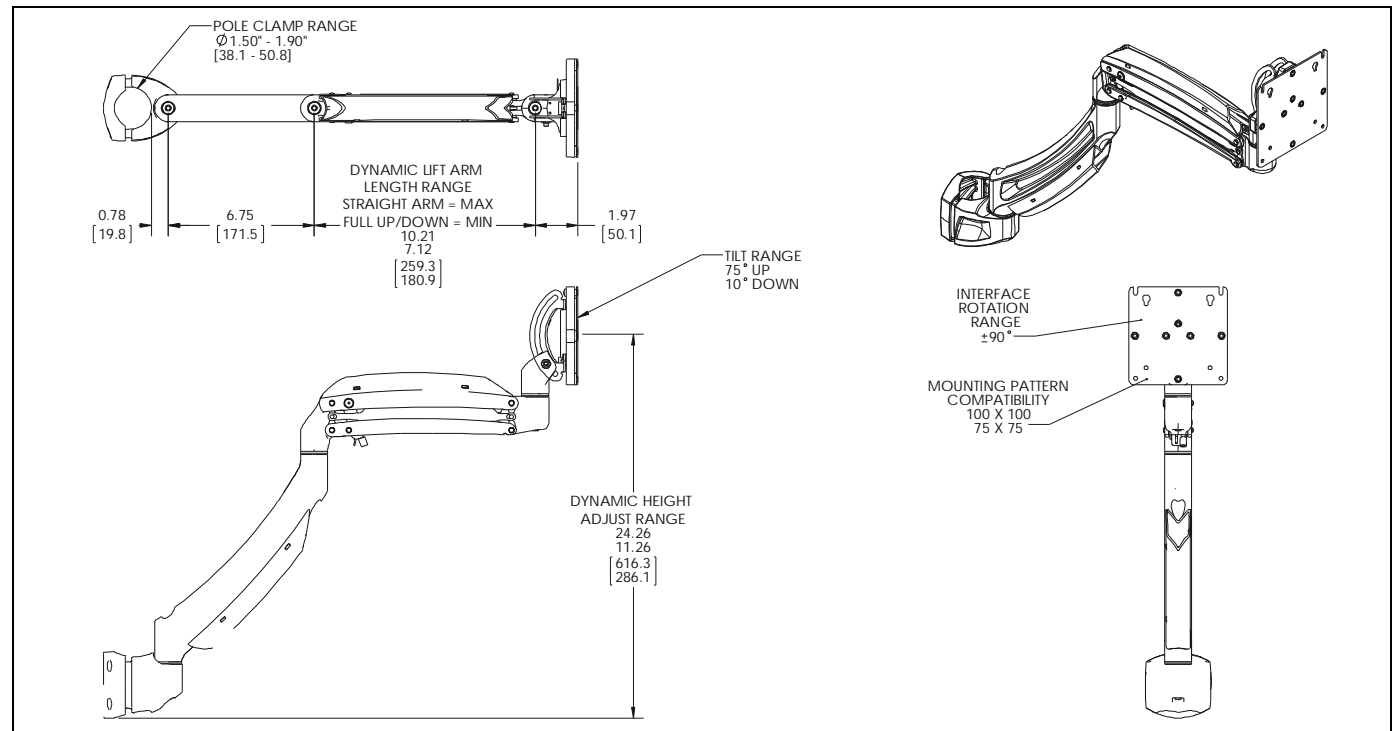
TOOLS REQUIRED FOR INSTALLATION



PARTS



DIMENSIONS



ASSEMBLY AND INSTALLATION

Connecting to Pole

1. Determine approximate location for mount keeping in mind display size, extension, and height adjustment requirements.
2. Place pole clamp arm (A) against pole in approximate mounting location. (See Figure 1)
3. Loosely fasten three 1/4-20 x 1-1/4" button head cap screws (C) into back clamp (B) and place against pole aligning with pole clamp arm (A). (See Figure 1)

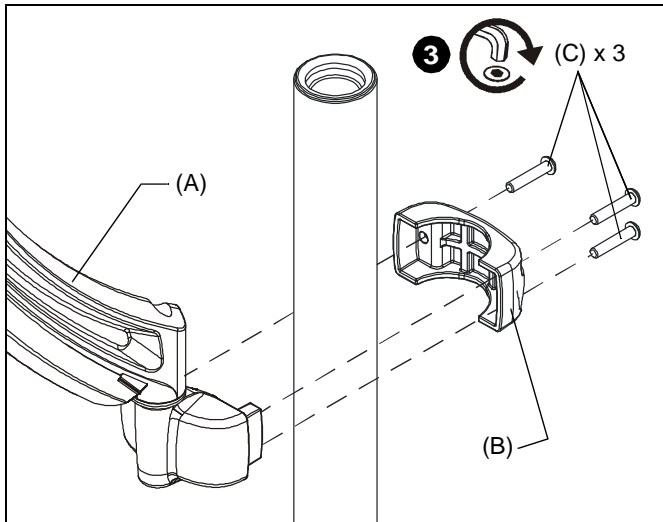


Figure 1

IMPORTANT ! : Equally tighten screws (C) against pole clamp arm (A) and the back clamp (B). (See Figure 2)

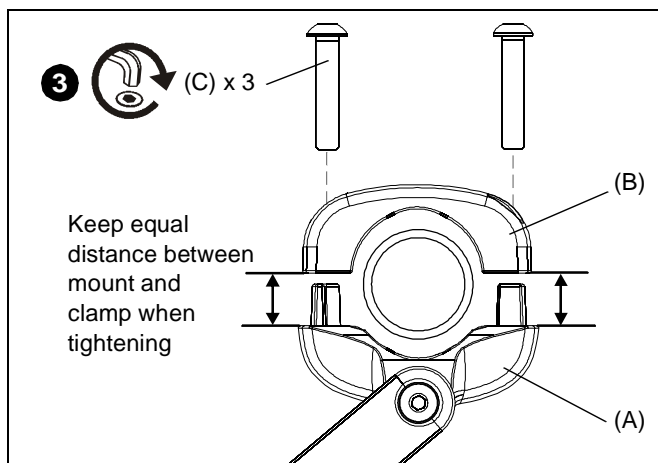


Figure 2

4. Secure back clamp (B) to pole clamp arm (A) and pole by equally tightening three 1/4-20 x 1-1/4" button head cap screws (C) using 5/32" hex key (H). (See Figure 2)

Display Installation

1. Remove quick release faceplate from mount by pulling quick release lever and sliding faceplate off mount. (See Figure 3)

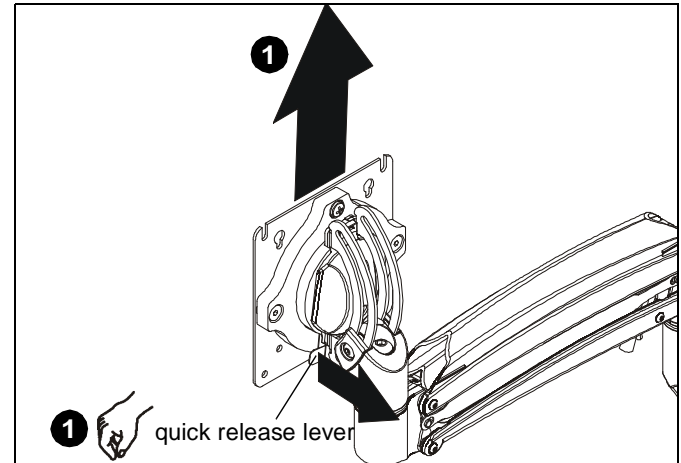


Figure 3

WARNING: Only remove display from mount when the display can be lifted up from the mount! DO NOT remove display unless the display is in the upright position! See **Display Removal** section for details.

WARNING: Exceeding the weight capacity can result in serious personal injury or damage to equipment! It is the installer's responsibility to make sure the combined weight of all components located attached to the MSP-BHK1P120 up to (and including) the display does not exceed 25 lbs (11.34 kg). Use with products heavier than the maximum weight indicated may result in collapse of the mount and its accessories causing possible injury.

2. Carefully place display face down on protective surface.
3. Connect faceplate to display
 - Carefully install four M4x10mm Phillips screws (E) through corresponding holes on faceplate and into the mounting holes on the display. (See Figure 4)

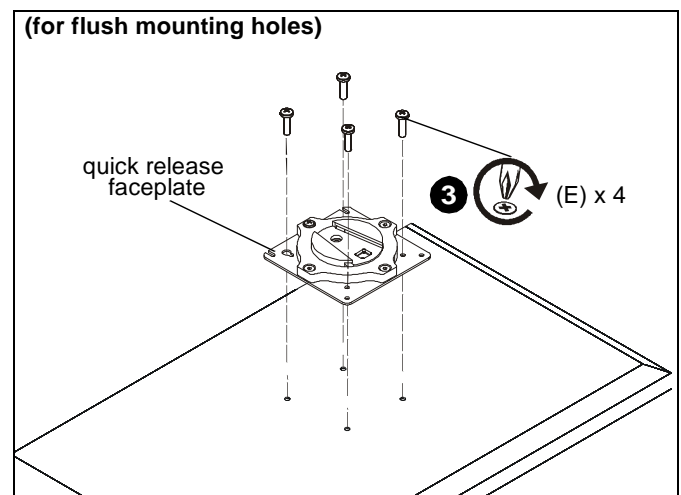


Figure 4

For **recessed** mounting hole installation:

- Place four spacers (G) on top of mounting holes on back of display. (See Figure 5)
- Carefully install four M4x25mm Phillips screws (F) through corresponding holes on faceplate, spacers (G) and into the mounting holes on the display. (See Figure 5)

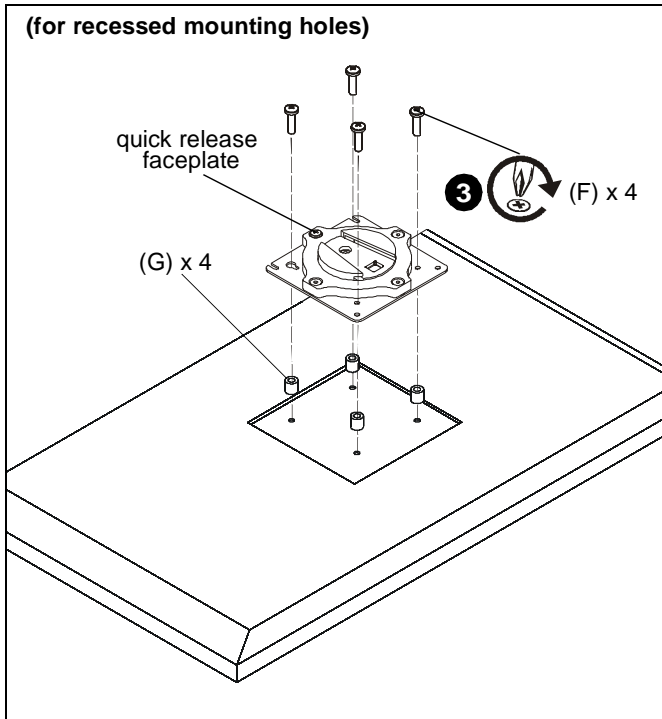


Figure 5

4. Position display with faceplate attached above mount. (See Figure 6)
5. Slide faceplate onto mounting head until quick release tab clicks into place. (See Figure 6)

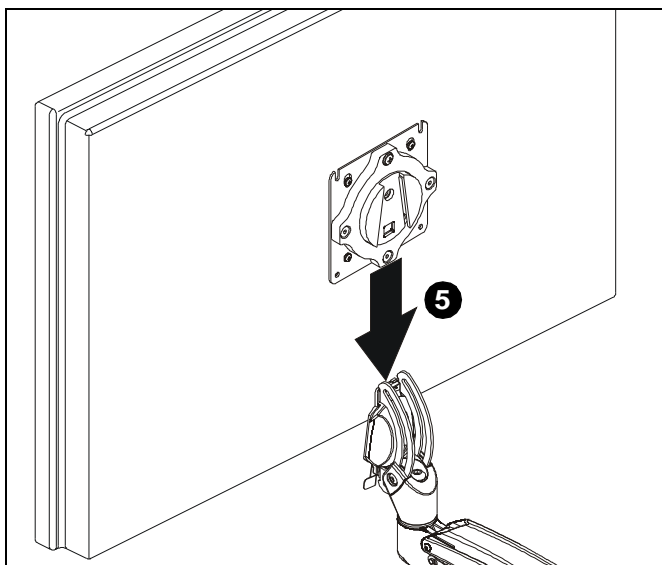


Figure 6

Adjustments

Pitch Adjustment (non-array models)

1. Adjust pitch to desired tilt position. (See Figure 7)
2. Adjust pitch tension screw to change the adjustment tension. (See Figure 7)

Pivot Adjustment (non-array models)

3. Adjust pivot position as desired. (See Figure 7)
4. Use 3/16" hex key (L) to adjust pivot point tension screws to change pivot adjustment tension. (See Figure 7)

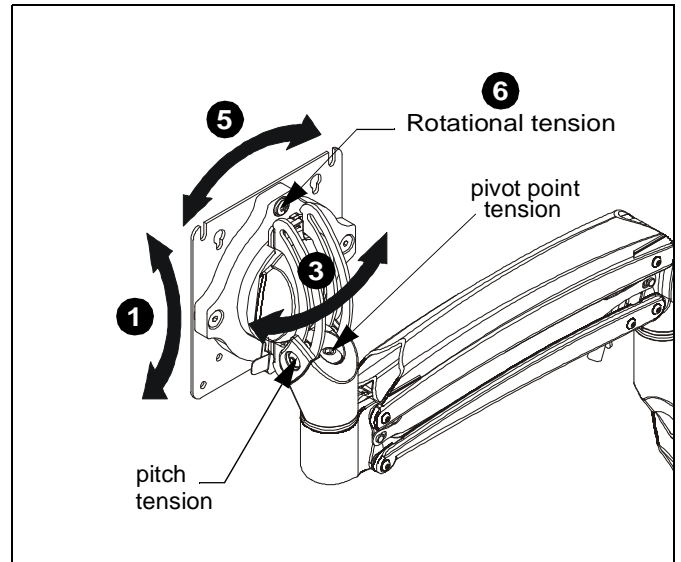


Figure 7

Rotational Adjustment

NOTE: (Optional) Rotational adjustment may be locked by installing rotational locking screw (J) into back of faceplate. (See Figure 8)

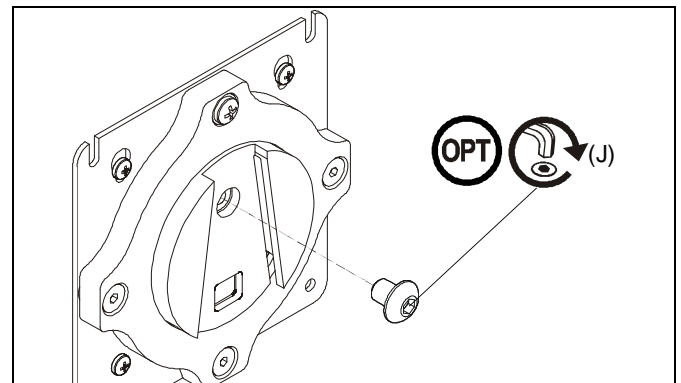


Figure 8

5. The monitor may be adjusted 90 degrees in either direction in order to provide a portrait view of the monitor. (See Figure 7)
6. Use 3/16" hex key (L) to adjust rotational adjustment screw to adjust rotational tension. (See Figure 7)

Lift Arm Tension Adjustment

1. Tension may be adjusted with tension adjustment screw inside cable management cover and 1/8" hex key (M). (See Figure 9)

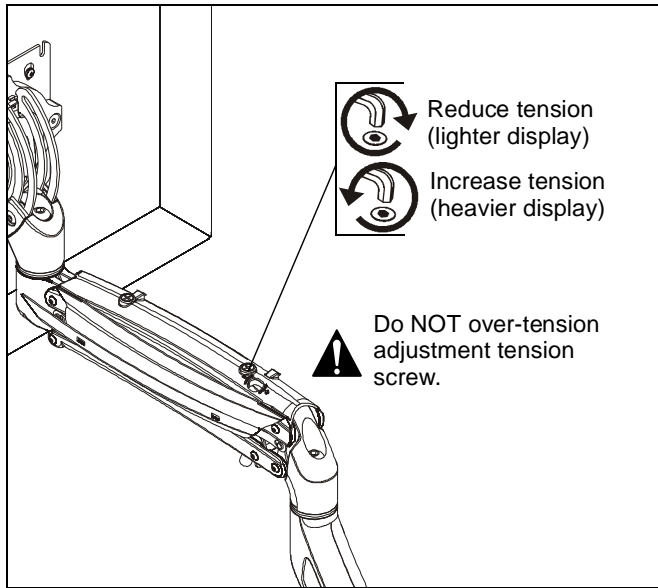


Figure 9

Display Removal

WARNING: Only remove display from mount when the display can be lifted up from the mount! DO NOT remove display unless the display is in the upright position! (See Figure 10)

1. Make sure display is in the upright position.
2. Remove faceplate from mount by pulling quick release lever and sliding faceplate off mount. (See Figure 10)

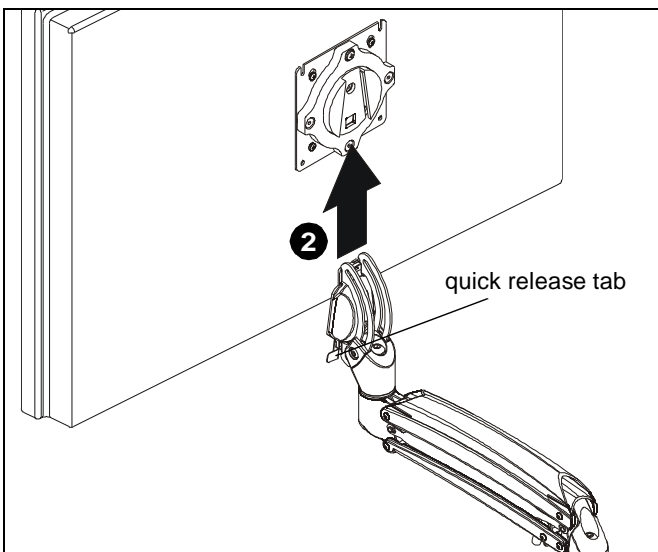


Figure 10

Display Removal Security Screw

NOTE: In order to prevent display from being easily removed from mount using the quick release lever, install M4x4mm security screw (H) into lower hole on back of faceplate. (See Figure 11)

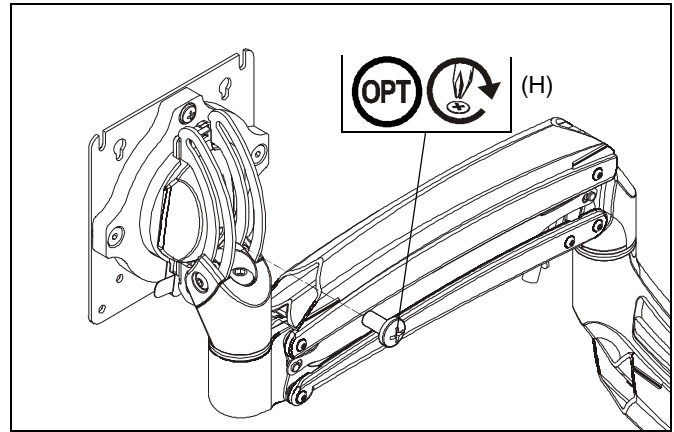


Figure 11

Pivot Adjustment Range

1. Adjust arm angle as desired up to 90° in either direction. (See Figure 12)

WARNING: Swinging the arm beyond 90° may result in the mount slipping off the desk causing serious injury!

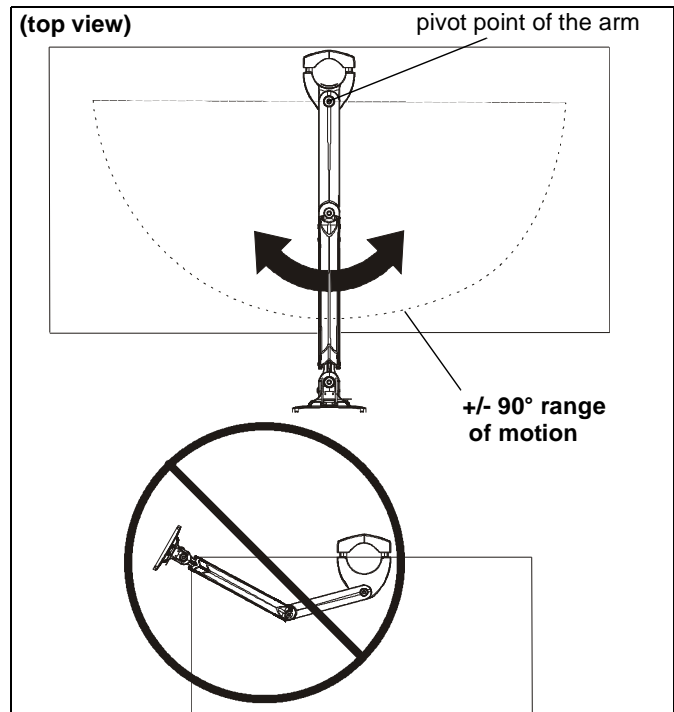


Figure 12

Cable Management

1. Press insides of cable management covers at both ends to unhinge tabs on either end of cable management cover on upper arm. (See Figure 13)
2. Lift cable management cover up until tabs are unhinged and cover is in the "open" position. (See Figure 13)

IMPORTANT ! : Be sure to leave enough slack in the cables near display and arm joint to allow for full arm articulation!

4. Close cable management covers on monitor arm. (See Figure 14)
5. Repeat Steps 1-4 for lower arm.

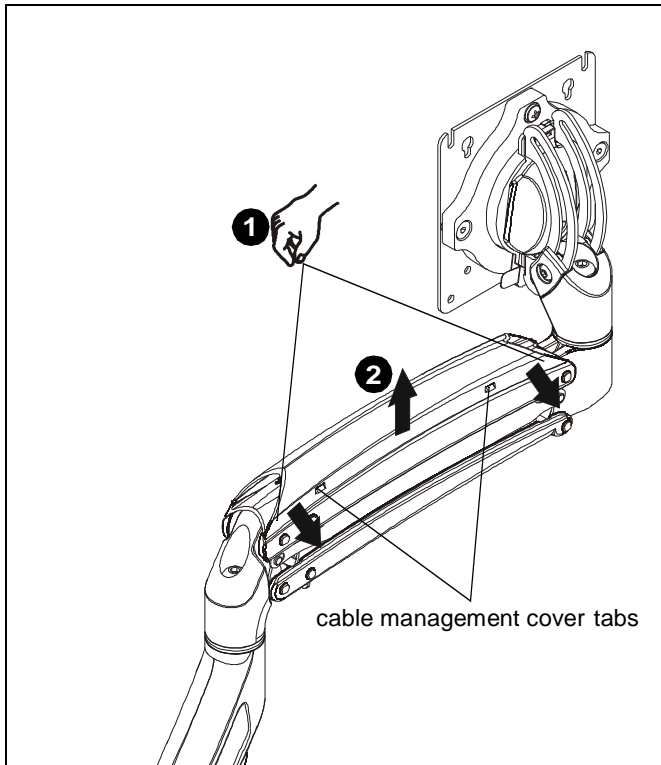


Figure 13

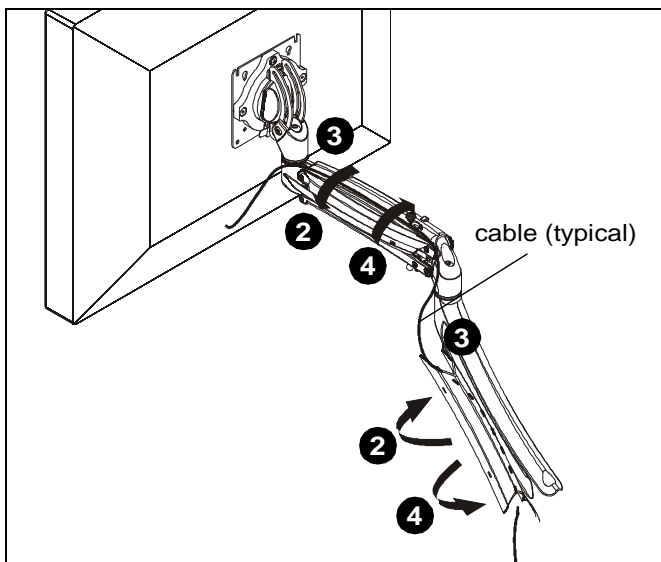


Figure 14

3. Route cables through cable management channels. (See Figure 14)



Our Mounts. **Your Vision.**

Chief, a products division of
Milestone AV Technologies

8800-002765 Rev00
©2016 Milestone AV Technologies
www.milestone.com
11/16

USA/International	A 6436 City West Parkway, Eden Prairie, MN 55344 P 800.582.6480 / 952.225.6000 F 877.894.6918 / 952.894.6918
Europe	A Franklinstraat 14, 6003 DK Weert, Netherlands P +31 (0) 495 580 852 F +31 (0) 495 580 845
Asia Pacific	A Office No. 918 on 9/F, Shatin Galleria 18-24 Shan Mei Street Fotan, Shatin, Hong Kong P 852 2145 4099 F 852 2145 4477

