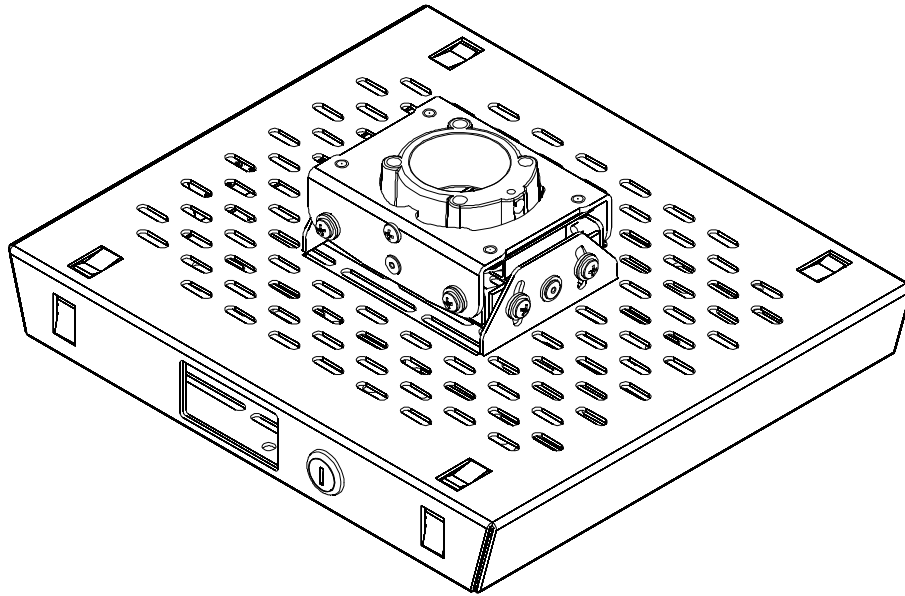

INSTALLATION INSTRUCTIONS



Locking Projector Mount

DISCLAIMER

Milestone AV Technologies and its affiliated corporations and subsidiaries (collectively "Milestone"), intend to make this manual accurate and complete. However, Milestone makes no claim that the information contained herein covers all details, conditions or variations, nor does it provide for every possible contingency in connection with the installation or use of this product. The information contained in this document is subject to change without notice or obligation of any kind. Milestone makes no representation of warranty, expressed or implied, regarding the information contained herein. Milestone assumes no responsibility for accuracy, completeness or sufficiency of the information contained in this document.

Chief® is a registered trademark of Milestone AV Technologies. All rights reserved.

IMPORTANT WARNINGS AND CAUTIONS!

WARNING: A WARNING alerts you to the possibility of serious injury or death if you do not follow the instructions.

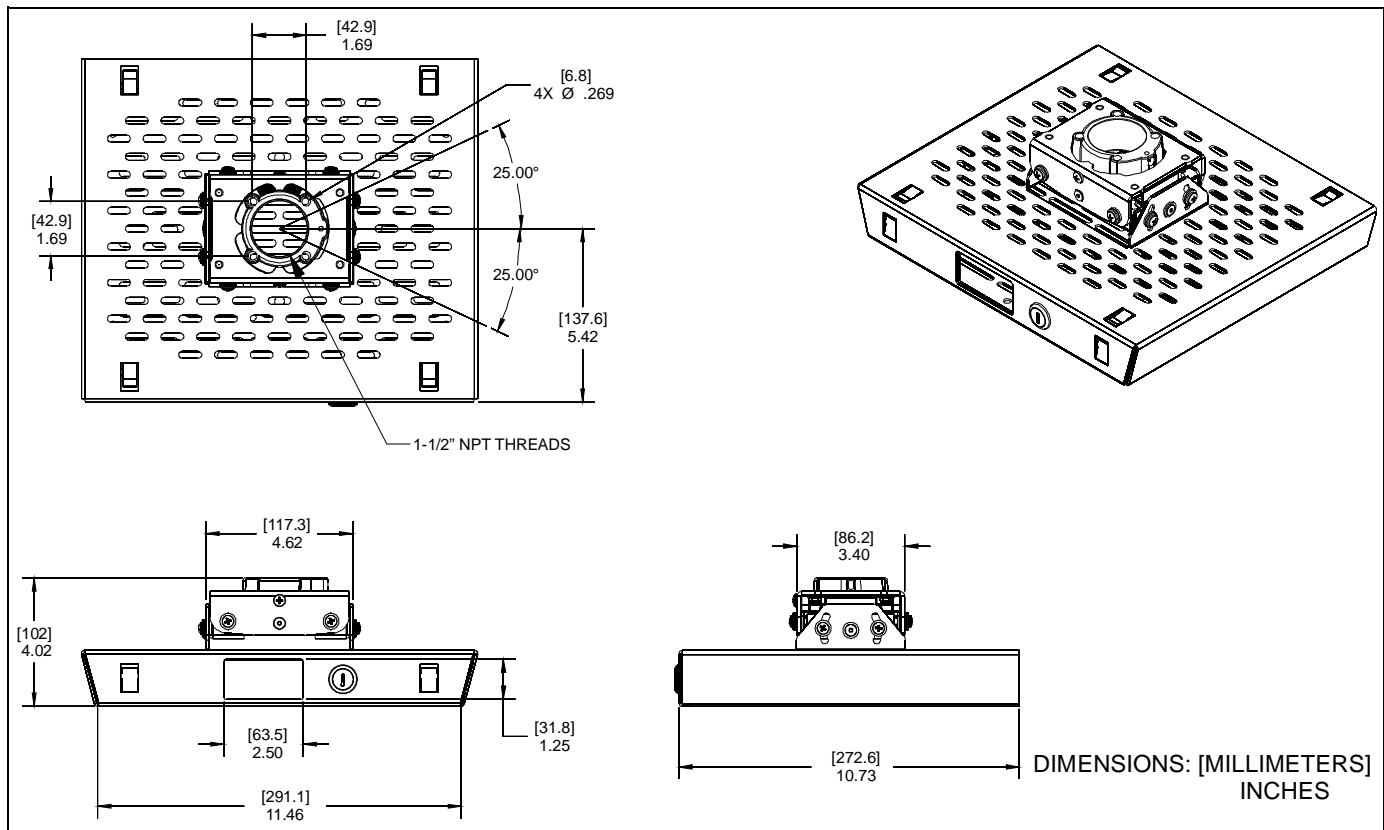
CAUTION: A CAUTION alerts you to the possibility of damage or destruction of equipment if you do not follow the corresponding instructions.

WARNING: Failure to read, thoroughly understand, and follow all instructions can result in serious personal injury, damage to equipment, or voiding of factory warranty! It is the installer's responsibility to make sure all components are properly assembled and installed using the instructions provided.

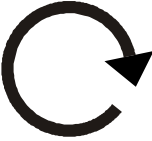
WARNING: Failure to provide adequate structural strength for this component can result in serious personal injury or damage to equipment! It is the installer's responsibility to make sure the structure to which this component is attached can support five times the combined weight of all equipment. Reinforce the structure as required before installing the component.

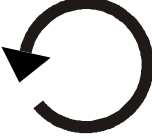
WARNING: Exceeding the weight capacity can result in serious personal injury or damage to equipment! It is the installer's responsibility to make sure the combined weight of all components does not exceed 50 lbs (22.68 kg).


DIMENSIONS





LEGEND


	Tighten Fastener
	Apretar elemento de fijación
	Befestigungsteil festziehen
	Apertar fixador
	Serrare il fissaggio
	Bevestiging vastdraaien
	Serrez les fixations


	Loosen Fastener
	Aflojar elemento de fijación
	Befestigungsteil lösen
	Desapertar fixador
	Allentare il fissaggio
	Bevestiging losdraaien
	Desserrez les fixations


	Phillips Screwdriver
	Destornillador Phillips
	Kreuzschlitzschraubendreher
	Chave de fendas Phillips
	Cacciavite a stella
	Kruiskopschroevendraaier
	Tournevis à pointe cruciforme


	Open-Ended Wrench
	Llave de boca
	Gabelschlüssel
	Chave de bocas
	Chiave a punte aperte
	Steeksleutel
	Clé à fourche


	By Hand
	A mano
	Von Hand
	Com a mão
	A mano
	Met de hand
	À la main


	Hex-Head Wrench
	Llave de cabeza hexagonal
	Sechskantschlüssel
	Chave de cabeça sextavada
	Chiave esagonale
	Zeskantsleutel
	Clé à tête hexagonale


	Pencil Mark
	Marcar con lápiz
	Stiftmarkierung
	Marcar com lápis
	Segno a matita
	Potloodmerkteken
	Marquage au crayon

	Drill Hole
	Perforar
	Bohrloch
	Fazer furo
	Praticare un foro
	Gat boren
	Percez un trou

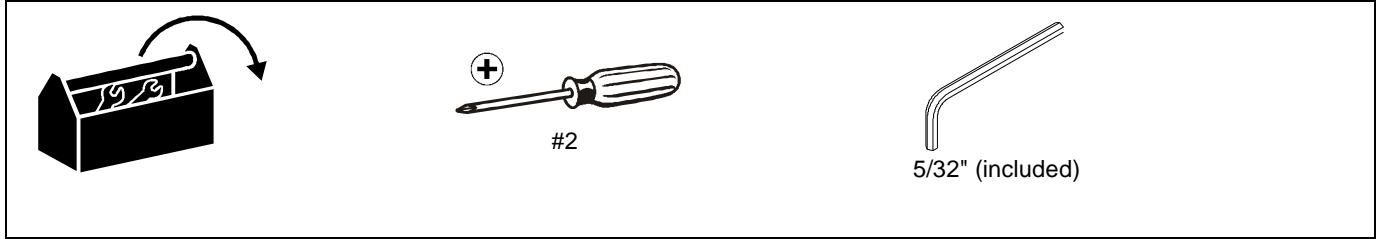
	Adjust
	Ajustar
	Einstellen
	Ajustar
	Regolare
	Afstellen
	Ajuster

	Remove
	Quitar
	Entfernen
	Remover
	Rimuovere
	Verwijderen
	Retirez

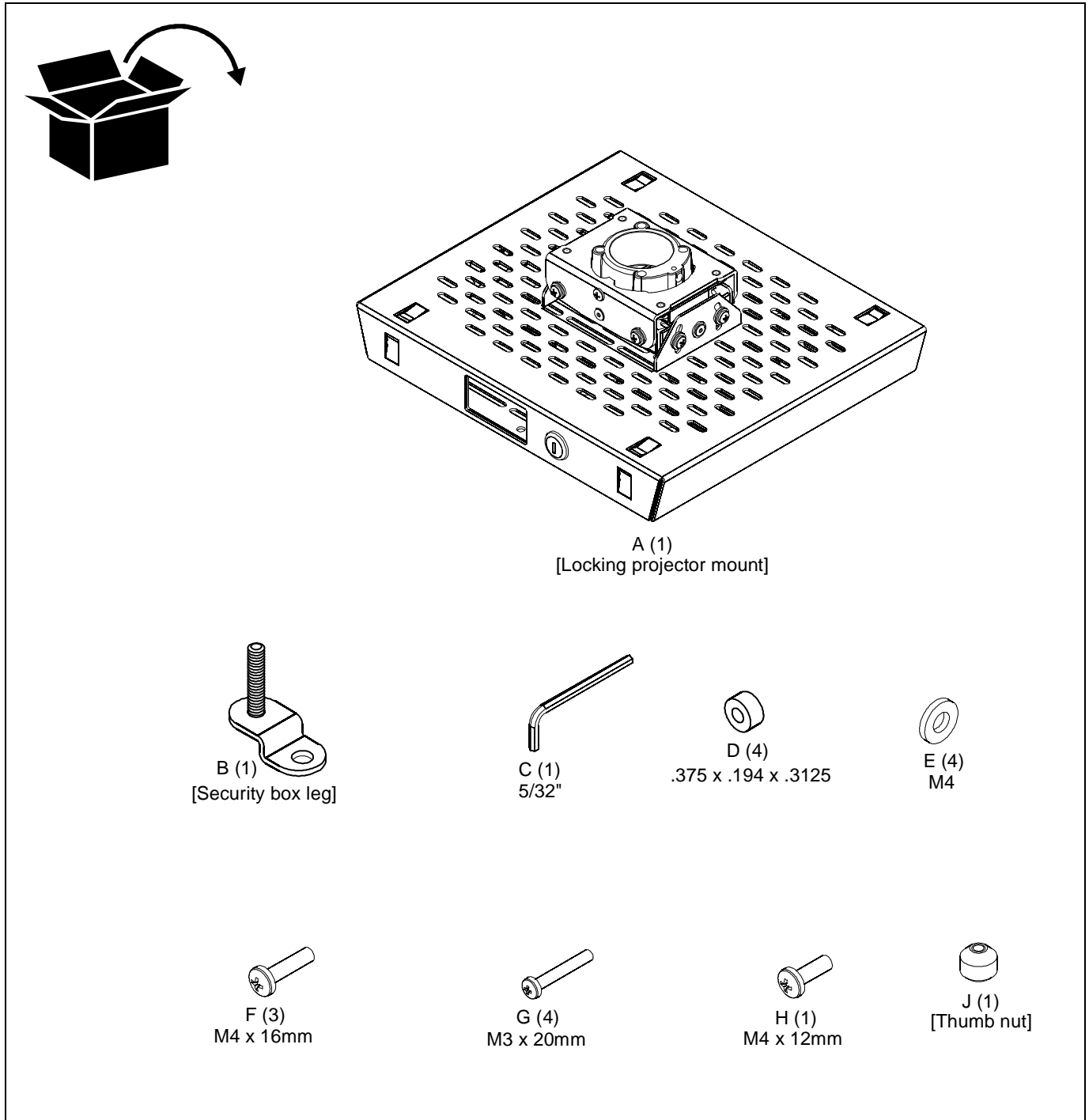
	Optional
	Opcional
	Optional
	Opcional
	Opzionale
	Optie
	En option

	Security Wrench
	Llave de seguridad
	Sicherheitsschlüssel
	Chave de segurança
	Chiave di sicurezza
	Veiligheidssleutel
	Clé de sécurité

TOOLS REQUIRED FOR INSTALLATION



PARTS



ASSEMBLY AND INSTALLATION

Installing Threaded Pipe and MSP-CCS3 Outer Sleeve



WARNING: IMPROPER INSTALLATION CAN RESULT IN SERIOUS PERSONAL INJURY OR DAMAGE TO EQUIPMENT! Structural members **MUST** be capable of supporting five times the combined weight of all equipment being installed.

1. Install ceiling plate and extension accessories following installation instructions provided by manufacturer.
2. Remove drawer from MSP-CCS3 outer sleeve. (See Figure 1)

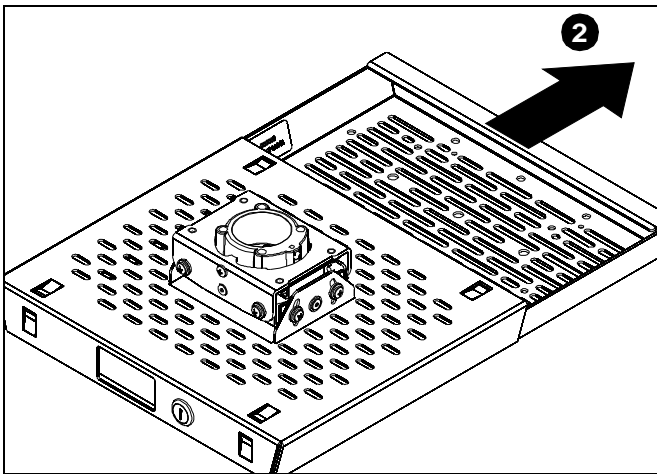


Figure 1

3. Align MSP-CCS3 outer sleeve with end of NTP pipe. (See Figure 2)
4. Thread MSP-CCS3 sleeve up onto pipe by turning counterclockwise until hand tight. (See Figure 2)

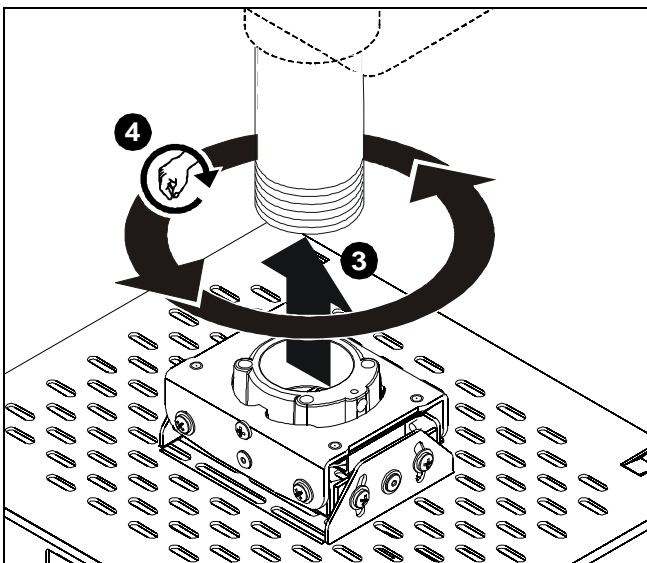


Figure 2

Rough Alignment of MSP-CCS3

1. Turn MSP-CCS3 sleeve clockwise or counterclockwise until the front of the MSP-CCS3 is facing target. (See Figure 3)

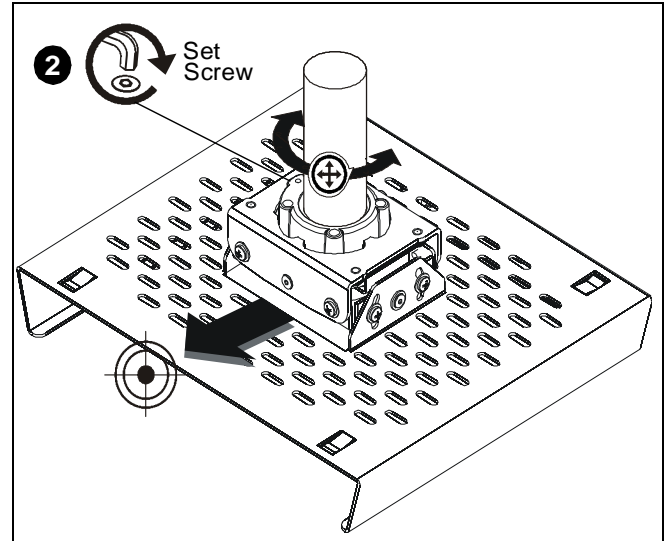


Figure 3

2. Tighten set screw. (See Figure 4)
3. Tighten security screw. (See Figure 4)

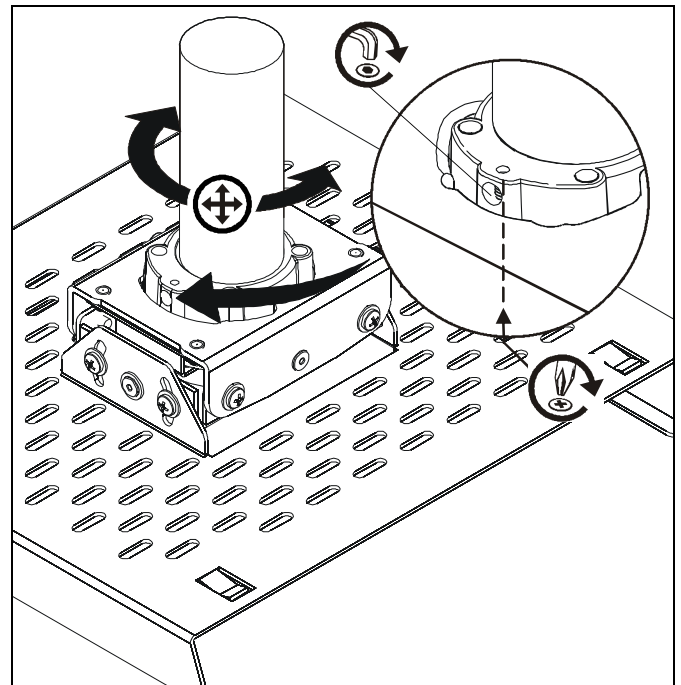


Figure 4

Attaching Projector to Security Mount Drawer

NEC VT595 Installation

1. Align projector and security mount drawer so that the projector is oriented correctly and mounting holes are aligned. (See Figure 5)
2. Secure projector to mount using three M4 x 16mm Phillips head machine screws (F), three flat washers (E) and three spacers (D). Spacers should be placed between projector and mount. (See Figure 5)

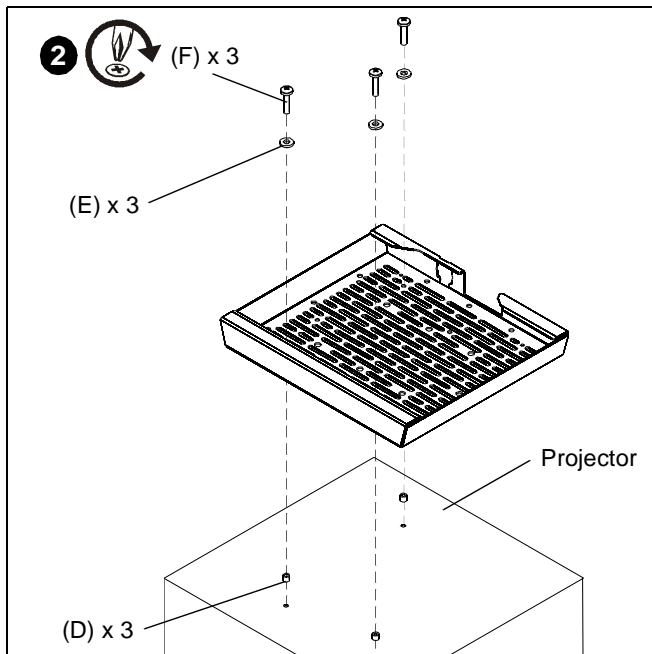


Figure 5

3. Slide the security mount drawer into the MSP-CCS3 outer sleeve.

NEC VT800 Installation

1. Align projector and security mount drawer so that the projector is oriented correctly and mounting holes are aligned. (See Figure 6)
2. Secure projector to mount using four M3 x 20mm Phillips head machine screws (G), four flat washers (E) and four spacers (D). Spacers should be placed between projector and mount. (See Figure 6)

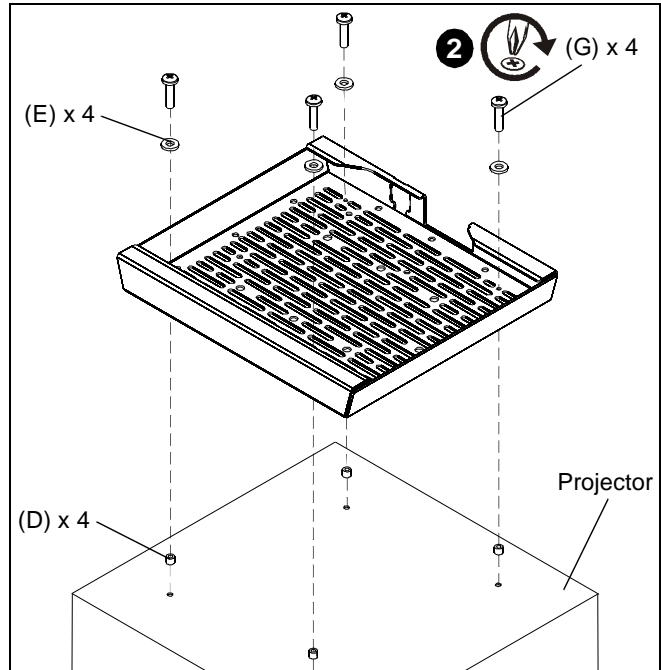


Figure 6

3. Slide the security mount drawer into the MSP-CCS3 outer sleeve.

EPSON Installation

1. Align projector and security mount drawer so that the projector is oriented correctly and mounting holes are aligned. (See Figure 7)
2. Secure projector end of mounting foot (B) to projector using one M4 x 12mm Phillips head machine screw (H). (See Figure 7)
3. Orient mounting foot (B) so that threaded end is in line with mounting hole in mount.
4. Secure projector to mount using two M4 x 16mm Phillips head machine screws (F), two flat washers (E) and two spacers (D), and secure mounting foot to mount using one thumb nut (J). Spacers should be placed between projector and mount. (See Figure 7)

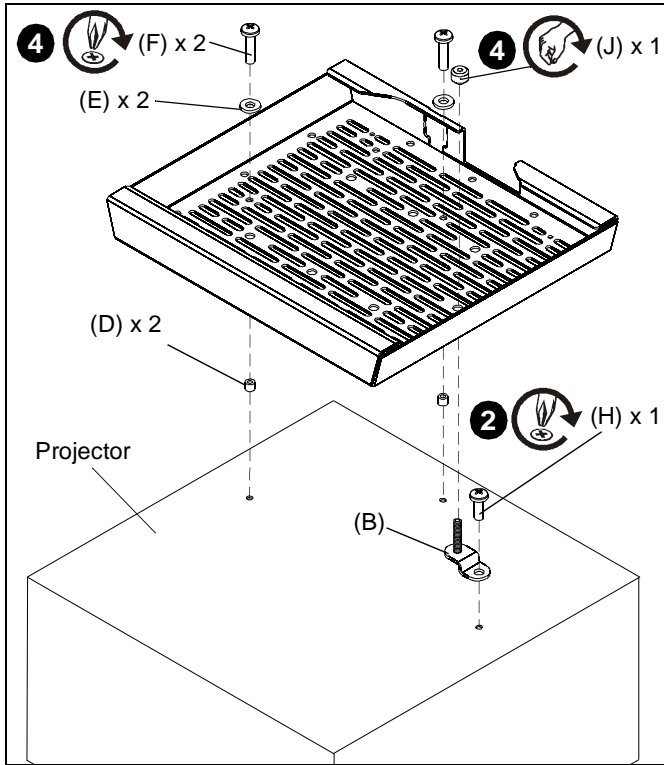


Figure 7

5. Slide the security mount drawer into the MSP-CCS3 outer sleeve.

Aligning Projector

The MSP-CCS3 can be adjusted for vertical elevation (pitch), horizontal tilt (roll), and rotation (yaw).

Pitch

Adjust pitch using the adjustment screw on the end of the adjustment plate. (See Figure 8)

1. Loosen the adjustment screws.
2. Adjust projector angle to desired pitch.
3. Tighten adjustment screws.

Roll

Adjust roll using the two adjustment screws on the back of the adjustment plate. (See Figure 8)

4. Loosen the two adjustment screws.
5. Adjust projector to desired roll.
6. Tighten adjustment screws.

Yaw

Adjust yaw using the adjustment screw on the back of the adjustment plate. (See Figure 8)

7. Loosen the adjustment screw.
8. Adjust projector to desired yaw.
9. Tighten adjustment screw.

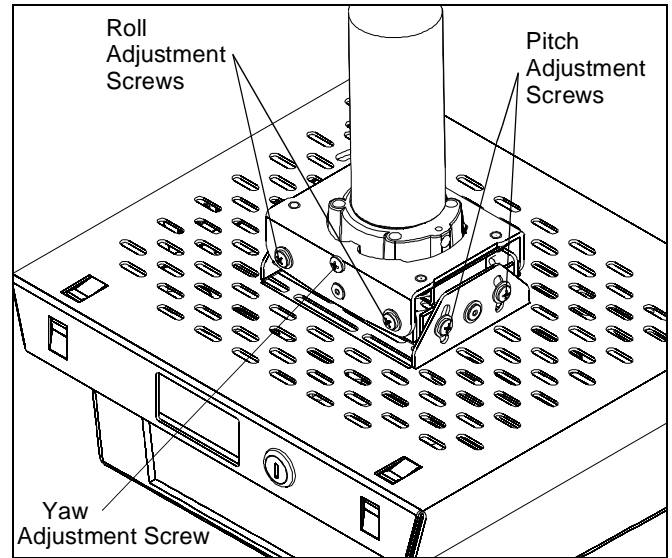


Figure 8

Locking the MSP-CCS3

Lock the MSP-CCS3 after all installation and adjustment steps have been completed. (See Figure 9)

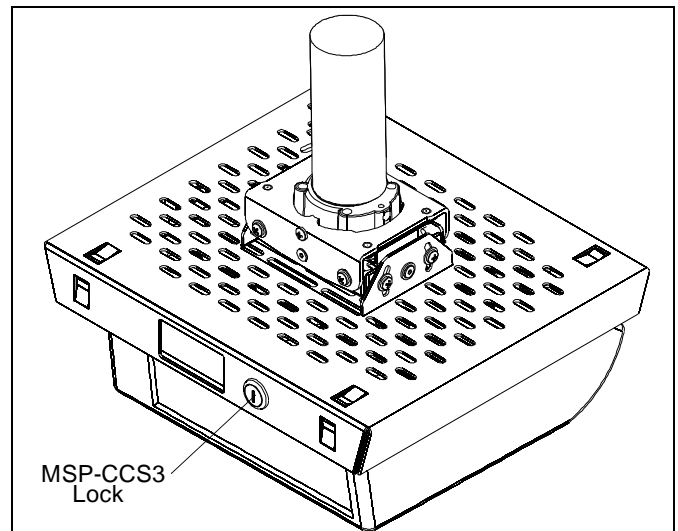


Figure 9



Our Mounts. Your Vision.

Chief Manufacturing, a products division
of Milestone AV Technologies

8803-002009 Rev00

©2010 Milestone Technologies, a

Duchossois Group Company

www.chiefmfg.com

02/10

USA/International

A 8401 Eagle Creek Parkway, Savage, MN 55378

P 800.582.6480 / 952.894.6280

F 877.894.6918 / 952.894.6918

Europe

A Fellenoord 130 5611 ZB EINDHOVEN, The Netherlands

P +31 (0)40 2668620

F +31 (0)40 2668615

Asia Pacific

A Office No. 1 on 12/F, Shatin Galleria
18-24 Shan Mei Street

Fotan, Shatin, Hong Kong

P 852 2145 4099

F 852 2145 4477

