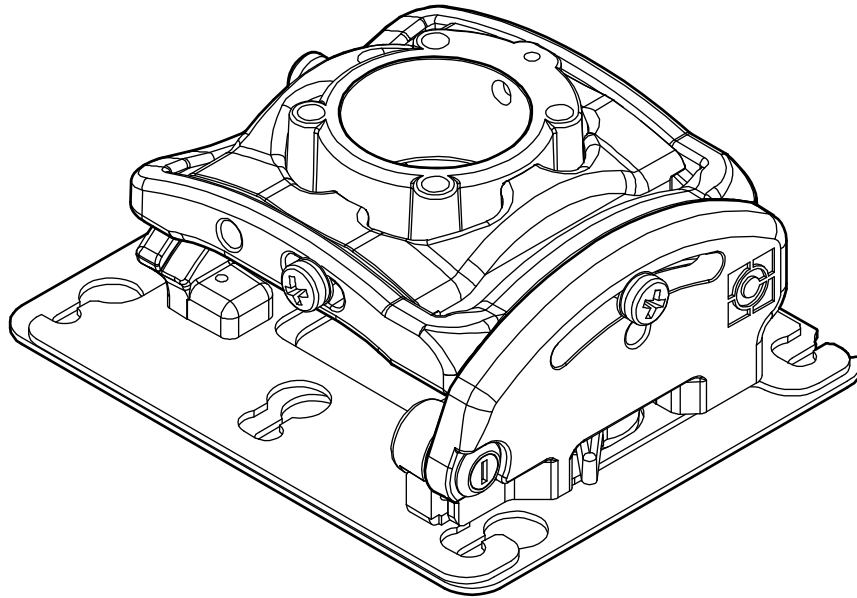

INSTALLATION INSTRUCTIONS



RPA Elite Series Projector Mounts

CHRISTIE® RPMA/RPMB/RPMC Series

NOTE: RPMA, RPMB, and RPMC models are included in these installation instructions. Throughout these instructions "RPMX" is used to designate all of the models covered by these instructions.

DISCLAIMER

Christie Digital Systems, Inc. and its affiliated corporations and subsidiaries (collectively "Christie"), intend to make this manual accurate and complete. However, Christie makes no claim that the information contained herein covers all details, conditions or variations, nor does it provide for every possible contingency in connection with the installation or use of this product. The information contained in this document is subject to change without notice or obligation of any kind. Christie makes no representation of warranty, expressed or implied, regarding the information contained herein. Christie assumes no responsibility for accuracy, completeness or sufficiency of the information contained in this document.

Christie® is a registered trademark of Digital Systems, Inc. All rights reserved.



IMPORTANT SAFETY INSTRUCTIONS



WARNING: A WARNING alerts you to the possibility of serious injury or death if you do not follow the instructions.



CAUTION: A CAUTION alerts you to the possibility of damage or destruction of equipment if you do not follow the corresponding instructions.



WARNING: Failure to read, thoroughly understand, and follow all instructions can result in serious personal injury, damage to equipment, or voiding of factory warranty! It is the installer's responsibility to make sure all components are properly assembled and installed using the instructions provided.



WARNING: Failure to provide adequate structural strength for this component can result in serious personal injury or damage to equipment! It is the installer's responsibility to make sure the structure to which this component is attached can support five times the combined weight of all equipment. Reinforce the structure as required before installing the component.



WARNING: Exceeding the weight capacity can result in serious personal injury or damage to equipment! It is the installer's responsibility to make sure the combined weight of all components attached to the RPMX does not exceed 50 lbs (22.7 kg).

- The weight capacity of the RPMX may be LIMITED to the lowest weight capacity of any other components located between the RPMX and the supporting structure!



WARNING: Use this mounting system only for its intended use as described in these instructions. Do not use attachments not recommended by the manufacturer.



WARNING: Never operate this mounting system if it is damaged. Return the mounting system to a service center for examination and repair.



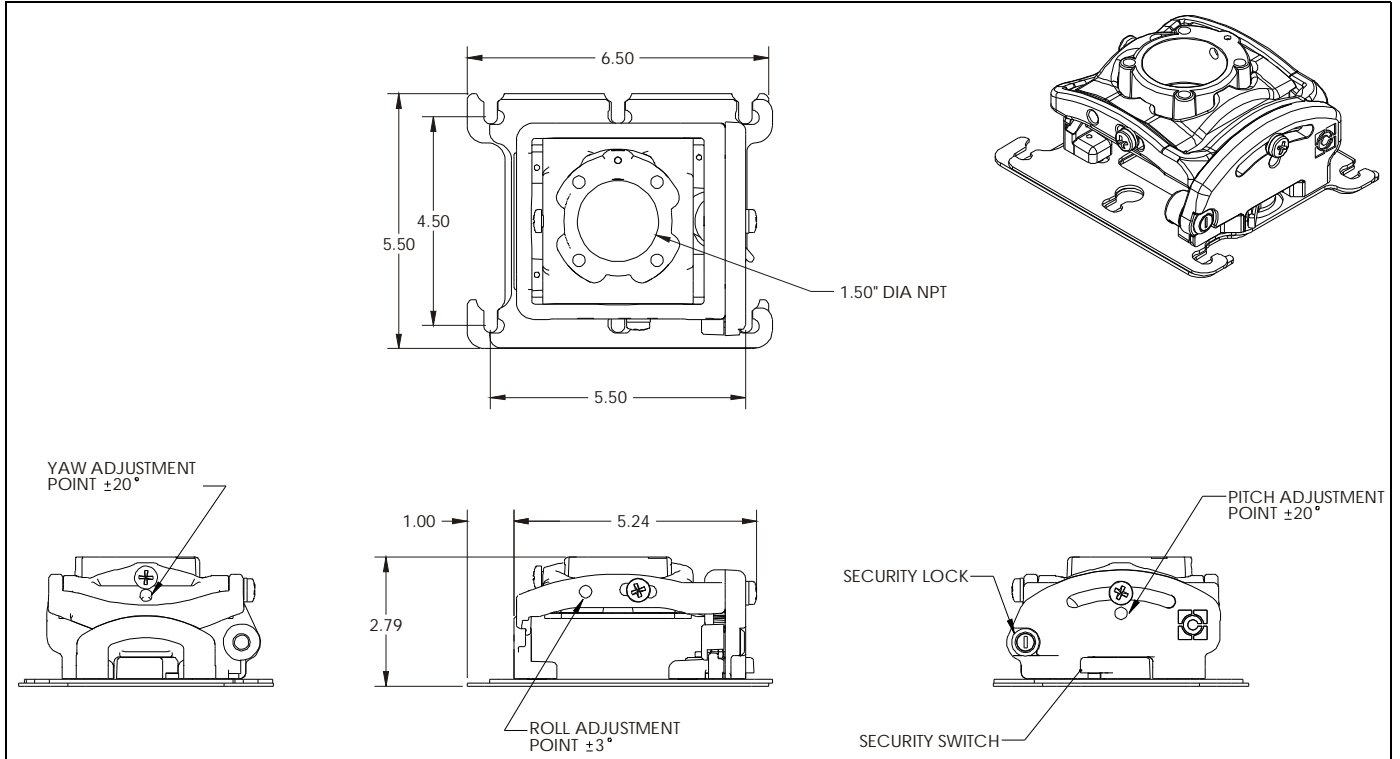
WARNING: Do not use this product outdoors.

IMPORTANT ! : The RPMX mounts are designed to be:

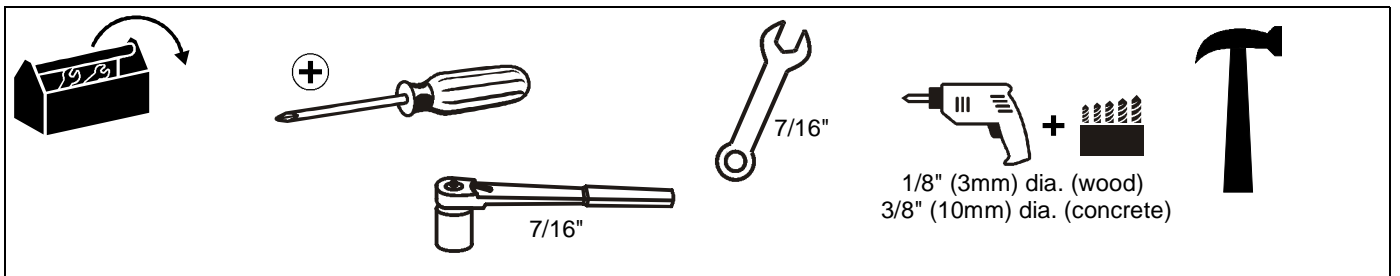
- mounted to a 1-1/2" NPT or NPSM threaded extension column (not included);
- mounted to a wood framework;
- mounted to a solid concrete ceiling; or
- suspended from four threaded rods (not included) which are secured to a metal framing channel (spanning a maximum of 5 feet).

--SAVE THESE INSTRUCTIONS--

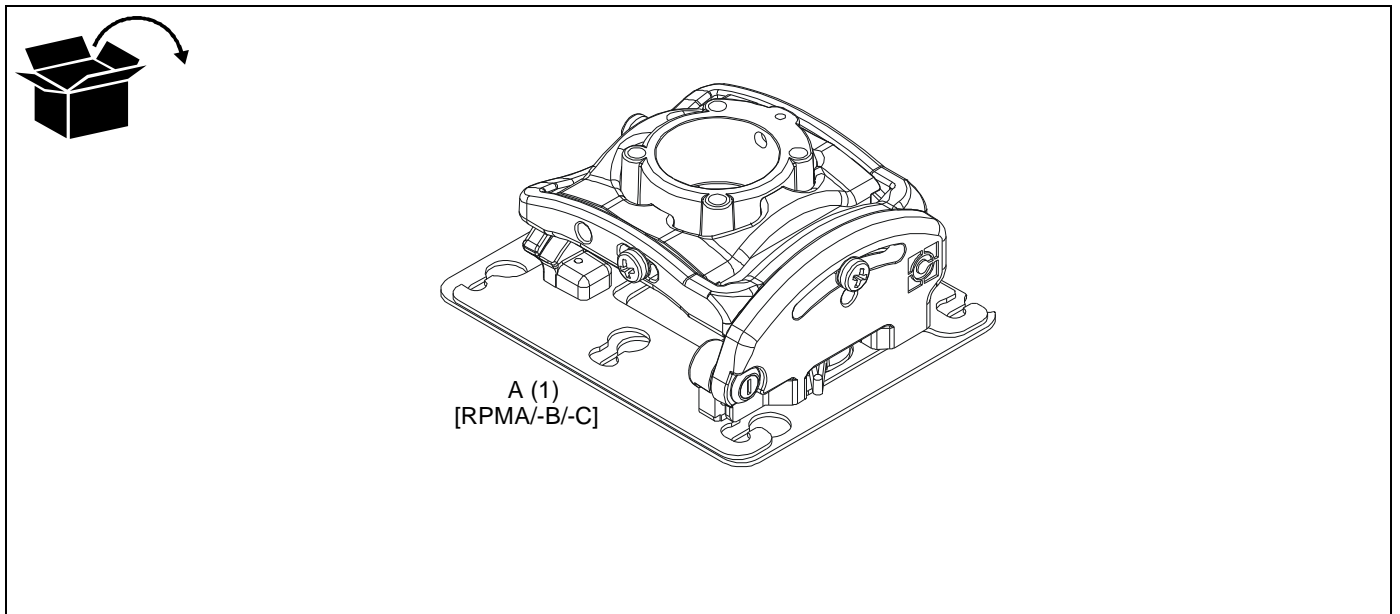
DIMENSIONS





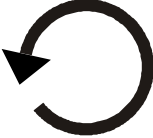






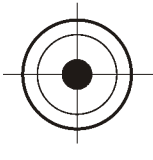


TOOLS REQUIRED FOR INSTALLATION



PARTS



LEGEND

	<p>Tighten Fastener</p> <p>Serrez les fixations</p> <p>Serrare il fissaggio</p> <p>Befestigungsteil festziehen</p> <p>Apretar elemento de fijación</p> <p>Bevestiging vastdraaien</p> <p>Apertar fixador</p>		<p>Pencil Mark</p> <p>Marquage au crayon</p> <p>Segno a matita</p> <p>Stiftmarkierung</p> <p>Marcar con lápiz</p> <p>Potloodmerkteken</p> <p>Marcar com lápis</p>
	<p>Loosen Fastener</p> <p>Desserrez les fixations</p> <p>Allentare il fissaggio</p> <p>Befestigungsteil lösen</p> <p>Aflojar elemento de fijación</p> <p>Bevestiging losdraaien</p> <p>Desapertar fixador</p>		<p>Drill Hole</p> <p>Percez un trou</p> <p>Praticare un foro</p> <p>Bohrloch</p> <p>Perforar</p> <p>Gat boren</p> <p>Fazer furo</p>
	<p>Phillips Screwdriver</p> <p>Tournevis à pointe cruciforme</p> <p>Cacciavite a stella</p> <p>Kreuzschlitzschraubendreher</p> <p>Destornillador Phillips</p> <p>Kruiskopschroevendraaier</p> <p>Chave de fendas Phillips</p>		<p>Adjust</p> <p>Ajuster</p> <p>Regolare</p> <p>Einstellen</p> <p>Ajustar</p> <p>Afstellen</p> <p>Ajustar</p>
	<p>Hex-Head Wrench</p> <p>Clé à tête hexagonale</p> <p>Chiave esagonale</p> <p>Sechskantschlüssel</p> <p>Llave de cabeza hexagonal</p> <p>Zeskantsleutel</p> <p>Chave de cabeça sextavada</p>		<p>Hammer</p> <p>Martillo</p> <p>Hammer</p> <p>Martelo</p> <p>Martello</p> <p>Hamer</p> <p>Marteau</p>
	<p>Open-Ended Wrench</p> <p>Clé à fourche</p> <p>Chiave a punte aperte</p> <p>Gabelschlüssel</p> <p>Llave de boca</p> <p>Steeksleutel</p> <p>Chave de bocas</p>		<p>Target of Projector</p> <p>Punto de enfoque del proyector</p> <p>Ziel des Projektors</p> <p>Mira do projector</p> <p>Punto di proiezione</p> <p>Doel van de projector</p> <p>Cible du projecteur</p>
	<p>By Hand</p> <p>À la main</p> <p>A mano</p> <p>Von Hand</p> <p>A mano</p> <p>Met de hand</p> <p>Com a mão</p>		<p>Security Wrench</p> <p>Clé de sécurité</p> <p>Chiave di sicurezza</p> <p>Sicherheitsschlüssel</p> <p>Llave de seguridad</p> <p>Veiligheidssleutel</p> <p>Chave de segurança</p>

PREPARATION

The RPMX projector mounts are designed to be installed in one of the following common applications:

- mounted to a 1-1/2" NPT or NPSM (Schedule 40, 0.154" minimum thickness aluminum - ASTM B221) threaded extension column (not included);
- mounted to a wood framework;
- mounted to a solid concrete ceiling; or
- suspended from four threaded rods (not included) which are secured to a metal framing channel (spanning a maximum of 5 feet).

Locate Mounting Site



WARNING: IMPROPER INSTALLATION MAY LEAD TO PROJECTOR MOUNT FALLING CAUSING SEVERE PERSONAL INJURY OR DAMAGE TO EQUIPMENT! It is the installers responsibility to make certain the structure to which the projector mount is being mounted is capable of supporting five times the weight of the projector mount and all attached equipment. Reinforce the structure as required before installing the projector mount.

1. Determine required position of the RPMX projector mount.
2. Determine required distance of the projector mount from the screen using the projector specifications.

NOTE: Proceed to **Installing to 1-1/2" Threaded Extension Column, Installing to Wood Framework, Installing to Concrete Ceiling, or Installing to Threaded Rod** section, as appropriate.

INSTALLATION

Installing to 1-1/2" Threaded Extension Column

IMPORTANT ! : These installation instructions assume that a 1-1/2" NPT or NPSM (Schedule 40, 0.154" minimum thickness aluminum - ASTM B221) threaded extension column (not included) has been properly installed (with a minimum of four threads engaged) and is in place.

1. Thread RPMX projector mount (A) onto the threaded extension column (not included) until hand tight.
2. Turn RPMX clockwise or counter-clockwise until front of mount is facing target.

IMPORTANT ! : When RPMX is properly positioned, the set screw access hole should be pointing directly at target, or 180° AWAY from target.

3. Secure RPMX to pipe by turning set screw until tight. (See Figure 1)



CAUTION: DO NOT OVERTIGHTEN! Overtightening of set screw can damage threads on pipe.

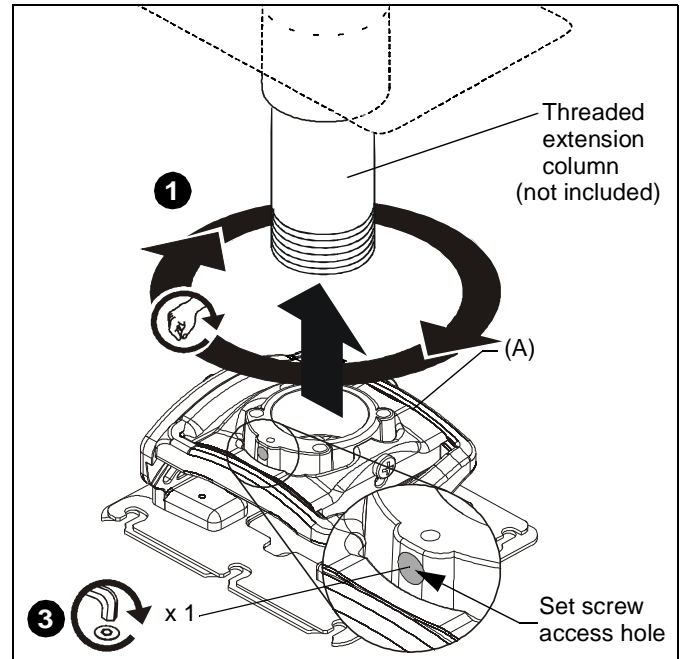


Figure 1

4. Turn security screw (access from bottom of RPMX) (See Figure 2) using a Phillips screwdriver until set screw cannot be seen through set screw access hole in RPMX. (See Figure 4)

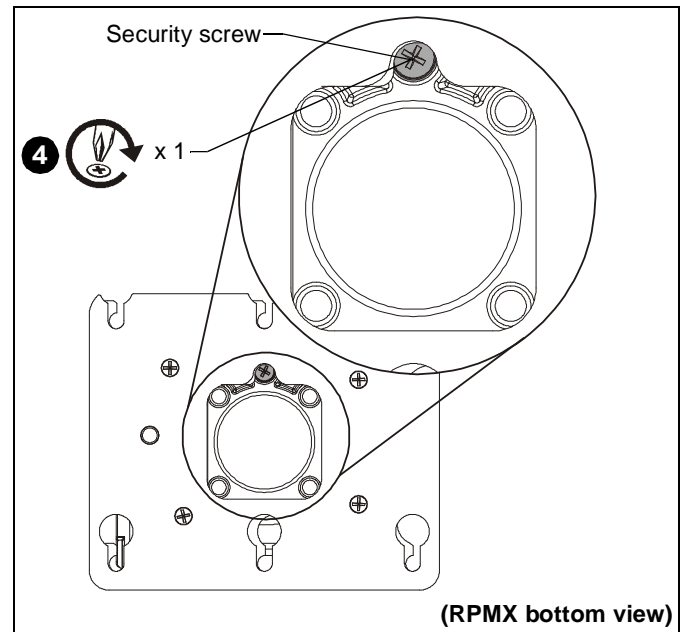


Figure 2

5. Proceed to **Installing Projector with Interface Bracket** section.

Installing to Wood Framework (Joists)

1. Using the RPMX as a guide, mark four mounting hole locations. (See Figure 3)
2. Drill four 1/8" (3mm) dia. pilot holes to a depth of 1-3/4" (45mm) deep.

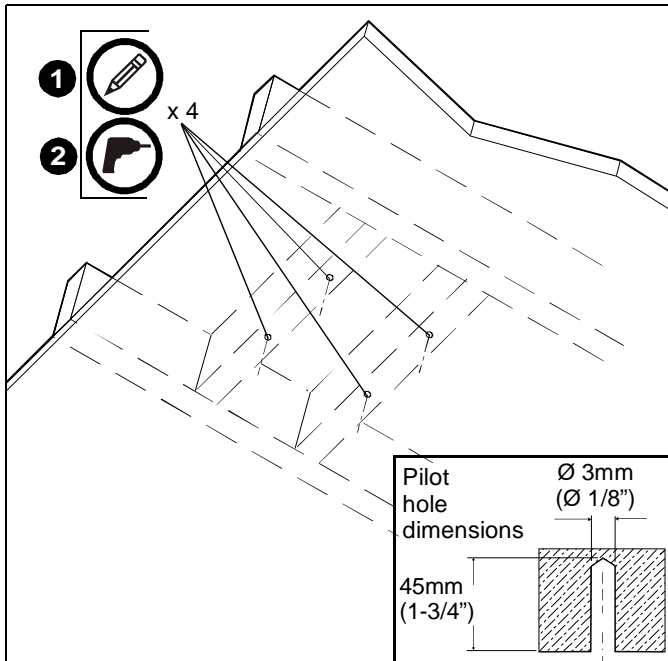


Figure 3

3. Align four mounting holes in RPMX with four pilot holes.

IMPORTANT ! : When RPMX is properly positioned, the set screw access hole should be pointing directly at target, or 180° AWAY from target.

4. Secure RPMX to structure using four 1/4" x 3" Grade 2 lag bolts (not included) and four 1/4" Grade 2 flat washers (not included). (See Figure 4)

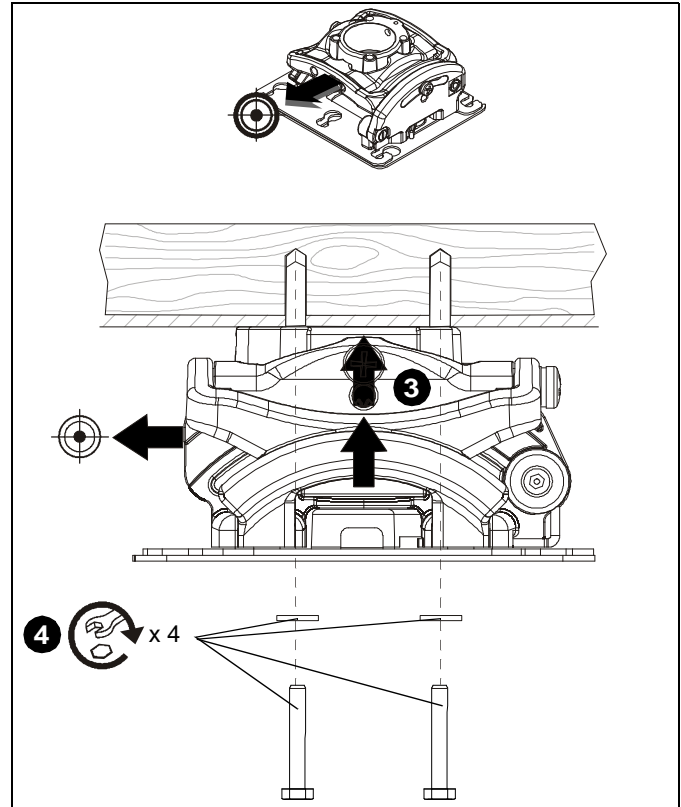


Figure 4

5. Proceed to **Installing Projector with Interface Bracket** section.

Installing to Concrete Ceiling

1. Using the RPMX as a guide, mark four mounting hole locations on ceiling using a pencil or similar tool.
2. Drill four 3/8" (10mm) dia. pilot holes to a depth of 2-1/2" (64mm) deep.

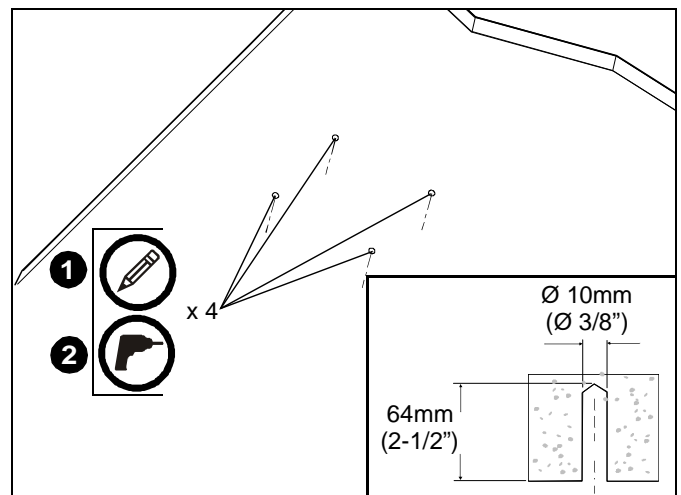


Figure 5

3. Align four mounting holes in RPMX with four pilot holes.

IMPORTANT ! : When RPMX is properly positioned, the set screw access hole should be pointing directly at target, or 180° AWAY from target.

4. Install four Toggler A10 Alligator concrete anchors (not included) by inserting into pilot holes and hammering in until flush with mounting surface.
5. Secure RPMX to structure using four 1/4" flat washers and four 1/4" x 3" lag bolts (not included). (See Figure 6)

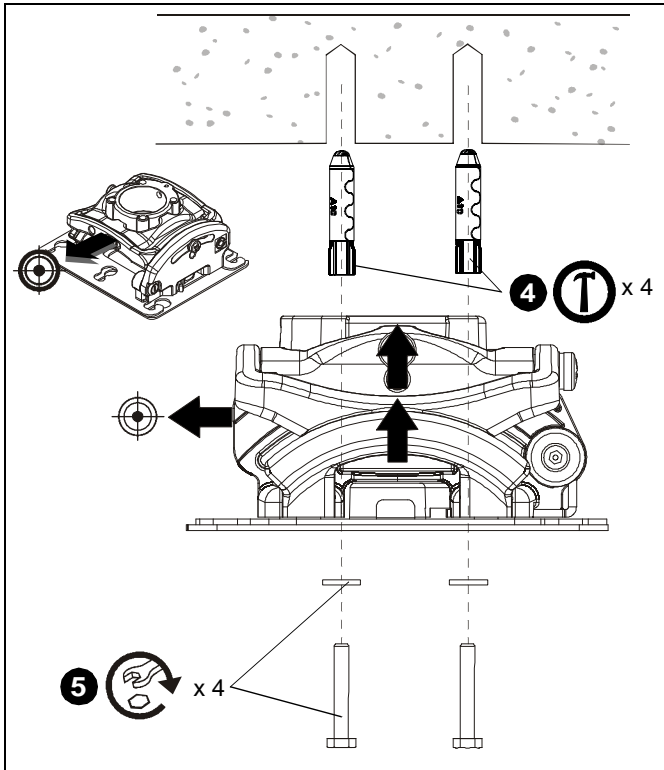


Figure 6

Installing to Threaded Rod

NOTE: The RPMX projector mount may be suspended from four 1/4" diameter Grade 2 or better threaded rods (not included) which are secured to unistrut, angle or channel assembly overhead structural members (trusses or I-beams) by Grade 2 or better 1/4-20 jam nuts (not included).

1. Secure one end of each of the four threaded rods (not included) to the structural member.
2. Install one 1/4-20 jam nut (not included) onto each threaded rod.
3. Install RPMX onto threaded rods, inserting the rods into the four holes on top of the RPMX.

NOTE: Hole in the RPMX allows socket wrench access without unit disassembly.

4. Secure the threaded rods to the RPMX with Grade 2 or better 1/4-20 jam nuts (not included) and 1/4" washers (not included). (See Figure 7)

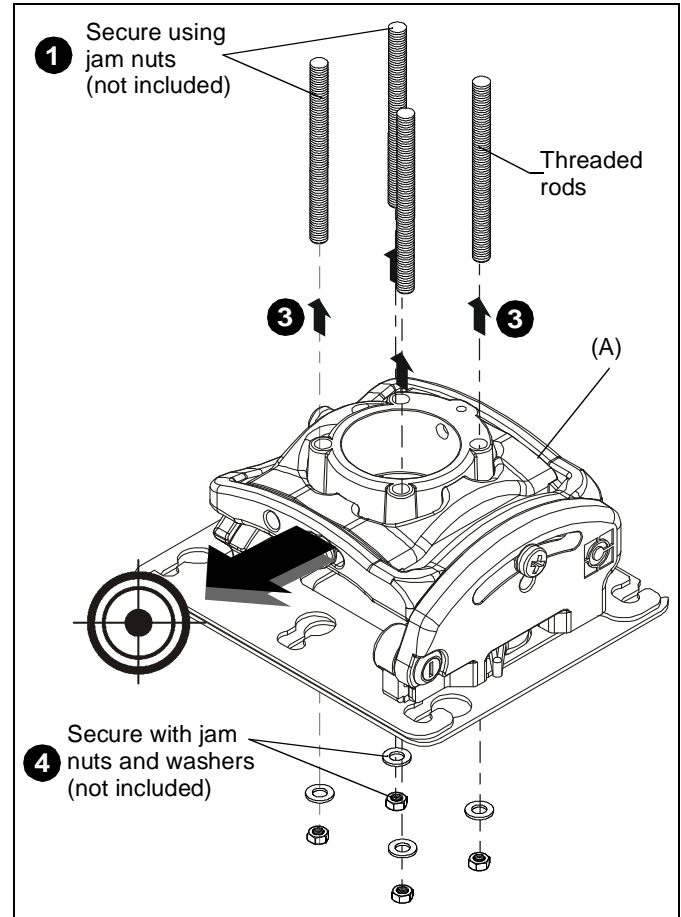


Figure 7

5. Proceed to **Installing Projector with Interface Bracket** section.

PROJECTOR INSTALLATION

1. Attach projector to interface bracket using installation instructions and hardware included with the interface bracket.

NOTE: Security screws can be substituted when mounting Interface bracket to projector by using the hardware and installation instructions in the All-Points Security Kit (included with interface bracket).

Installing Projector with Interface Bracket

1. Orient projector with interface bracket.
2. Lift projector so that screws with thumb nuts are aligned with mounting slots in mount base. (See Figure 8)
3. Slide projector with mounting bracket into mounting slots in mount base until screws are seated against the back of mounting slots.

⚠ WARNING: IMPROPER INSTALLATION CAN LEAD TO PROJECTOR FALLING RESULTING IN SERIOUS PERSONAL INJURY OR DAMAGE TO EQUIPMENT. Make certain mounting slots in mount base slide under thumb screws and that screws are seated in the back of slots.

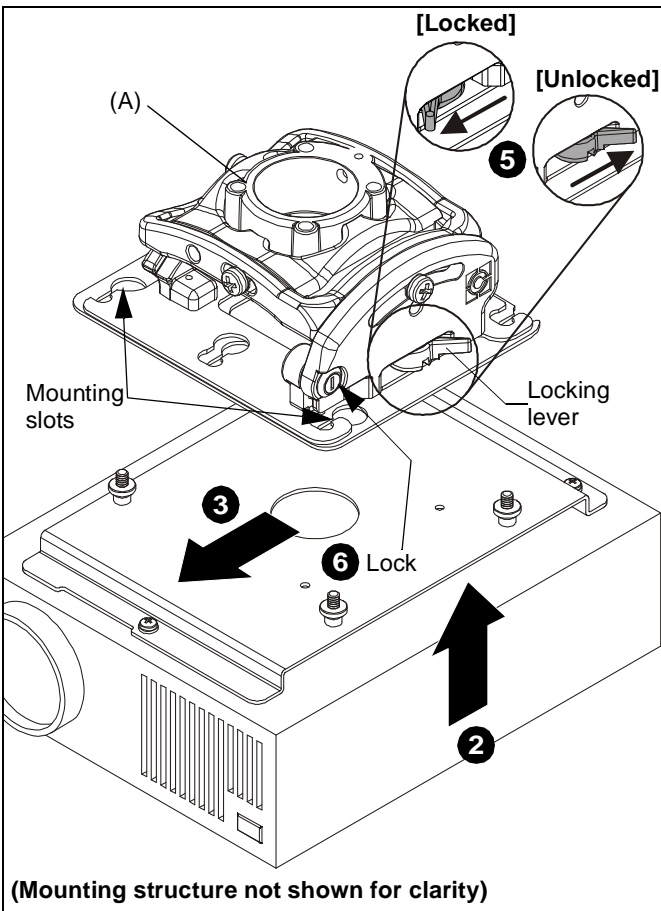


Figure 8

4. Verify mounting screws are properly seated in mounting slots in mount base.
5. Move locking lever to "LOCKED" position. (See Figure 8)
6. Insert key into lock and turn to secure projector to RPMX.
7. Route all cables, as required.

ADJUSTMENTS

The RPMX projector mount can be adjusted for pitch (vertical elevation), roll (horizontal tilt), and yaw (rotation).

⚠ WARNING: OVER-LOOSENING OR REMOVAL OF HARDWARE MAY RESULT IN PERSONAL INJURY OR SERIOUS DAMAGE TO EQUIPMENT! RPMX projector mount and hardware is to be loosened only enough to allow for necessary movement.

YAW Adjustment (Rotation)

1. Loosen YAW adjustment locking screw using a #2 Phillips screwdriver. (See Figure 9)
2. Turn YAW micro-adjustment screw right or left using a #2 Phillips screwdriver until image is properly aligned on target.
3. Tighten YAW adjustment locking screw using a #2 Phillips screwdriver.

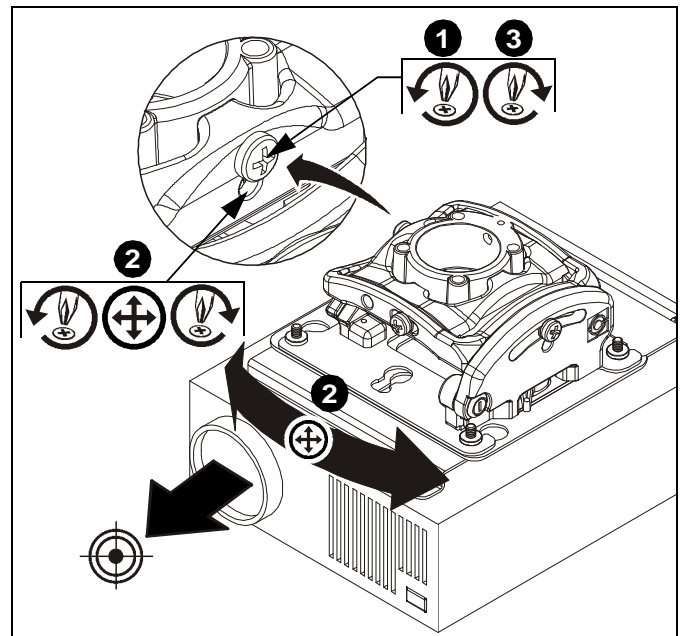


Figure 9

Pitch Adjustment (Vertical Elevation)

1. Loosen PITCH adjustment locking screw using a #2 Phillips screwdriver. (See Figure 10)
2. Turn PITCH micro-adjustment screw right or left using a #2 Phillips screwdriver until image is properly aligned on target.
3. Tighten PITCH adjustment locking screw using a #2 Phillips screwdriver.

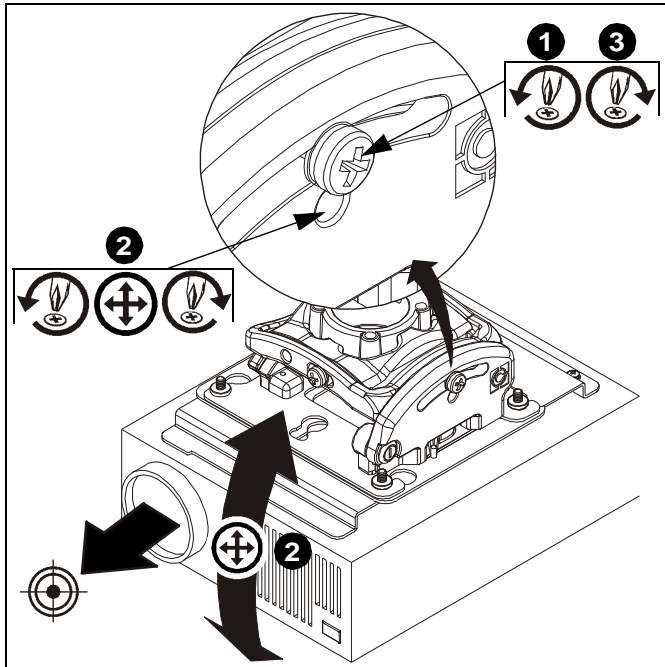


Figure 10

Roll Adjustment (Horizontal Tilt)

1. Loosen ROLL adjustment locking screw using a #2 Phillips screwdriver. (See Figure 11)
2. Turn ROLL micro-adjustment screw right or left using a #2 Phillips screwdriver until image is properly aligned on target.
3. Tighten ROLL adjustment locking screw using a #2 Phillips screwdriver.

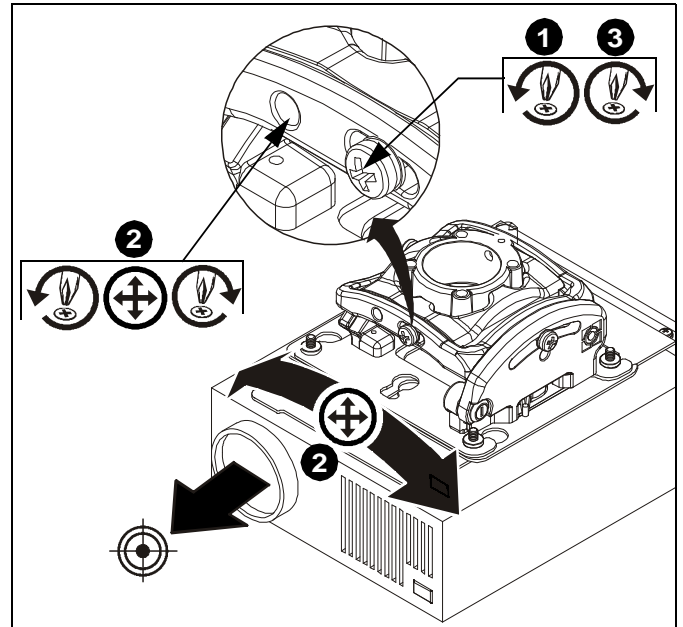


Figure 11

Christie Digital Systems USA, Inc.

USA

Toll Free: 1-800-221-8025

PH: 519-744-8005

FX: 519-749-3302

Monday - Friday 8:00 am - 8:00 pm EST

Canada

Toll Free: 1-800-221-8025

PH: 519-744-8005

FX: 519-749-3302

Monday - Friday 8:00 am - 8:00 pm EST

Chile

PH: 519-744-8005

FX: 519-749-3302

Monday - Friday 8:00 am - 8:00 pm EST

Singapore

PH: +65 6877-8737

FX: +65 6877-8747

Monday - Friday 9:00 am - 5:00 pm SST

China

PH: +86 10 6561 0240

FX: +86 10 6561 0546

Monday - Friday 9:00 am - 5:00 pm CST

Japan

PH: 81-3-3599-7481

FX: 81-3-3599-7482

Monday - Friday 9:00 am - 5:00 pm JST

South Korea

PH: +82 2 702 1601

FX: +82 2 702 1602

Monday - Friday 9:00 am - 5:00 pm KST

India

PH: +91 (080) 41468940

FX: +91 (080) 41468949

Monday - Friday 9:00 am - 5:00 pm IST

United Kingdom

PH: +44 (0) 118 977 8111

FX: +44 (0) 118 977 8112

Monday - Friday 8:30 am - 5:00 pm GMT

France

PH: +33 (0)1 41 21 44 10

FX: +33 (0)1 41 21 00 36

Monday - Friday 10:00 am - 6:00 pm CEST

Germany

PH: +49 2161 56620 22

FX: +49 2161 6645 46

Monday - Friday 8:30 pm - 5:30 pm CEST

Eastern Europe

PH: +44 (0) 118 977 8111

FX: +44 (0) 118 977 8112

Monday - Friday 8:30 am - 5:00 pm GMT

Middle East

PH: +44 (0) 118 977 8111

FX: +44 (0) 118 977 8112

Monday - Friday 8:30 am - 5:00 pm GMT

Spain

PH: + 34 91 633 9990

FX: + 3491 633 9991

Monday - Friday 9:00 am - 5:00 pm CEST

Italy

PH: +39 (0)2 9902 1161

FX: +39 (0)2 9902 2641

Monday - Friday 9:00 am - 5:00 pm CEST

Africa

PH: +44 (0) 118 977 8111

FX: +44 (0) 118 977 8112

Monday - Friday 8:30 am - 5:00 pm GMT

CHRISTIE®8800-002250 Rev00
11/12**Christie Digital Systems USA, Inc.**10550 Camden Drive
Cypress, CA 90630
www.christiedigital.com