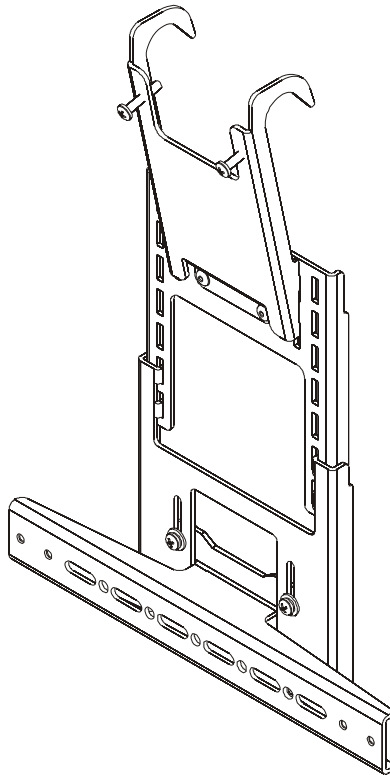


---

# INSTALLATION INSTRUCTIONS

---



---

**Center Channel Speaker Bracket**

---

---

**SONY®**

---

**CH-SFCC1**

---

**DISCLAIMER**

Sony Electronics, Inc., and its affiliated corporations and subsidiaries (collectively, "Sony"), intend to make this manual accurate and complete. However, Sony makes no claim that the information contained herein covers all details, conditions or variations, nor does it provide for every possible contingency in connection with the installation or use of this product. The information contained in this document is subject to change without notice or obligation of any kind. Sony makes no representation of warranty, expressed or implied, regarding the information contained herein. Sony assumes no responsibility for accuracy, completeness or sufficiency of the information contained in this document.

**! IMPORTANT WARNINGS AND CAUTIONS!**

**! WARNING:** A WARNING alerts you to the possibility of serious injury or death if you do not follow the instructions.

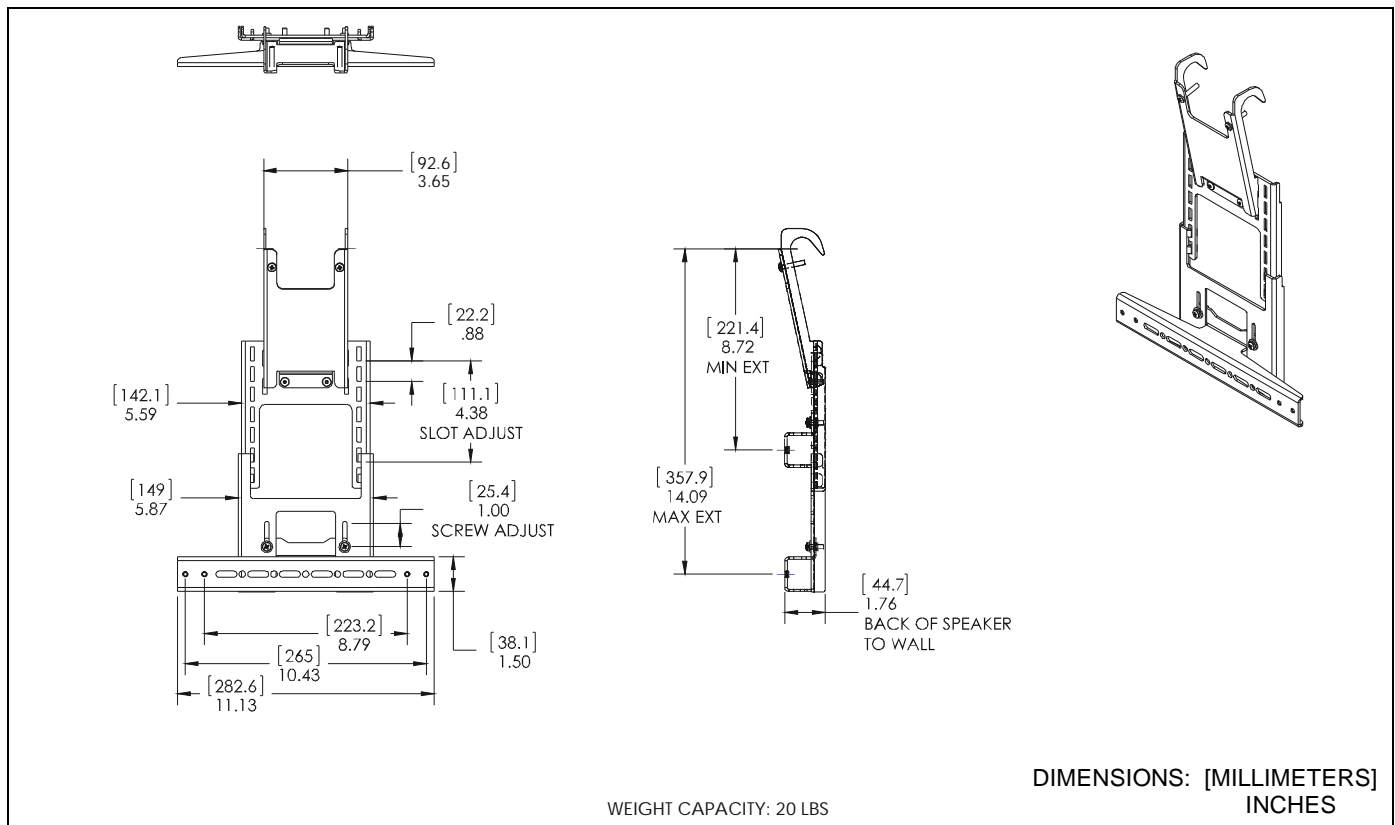
**! CAUTION:** A CAUTION alerts you to the possibility of damage or destruction of equipment if you do not follow the corresponding instructions.

**! WARNING:** Failure to read, thoroughly understand, and follow all instructions can result in serious personal injury, damage to equipment, or voiding of factory warranty! It is the installer's responsibility to make sure all components are properly assembled and installed using the instructions provided.



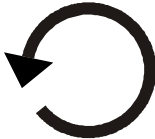









**! WARNING:** Failure to provide adequate structural strength for this component can result in serious personal injury or damage to equipment! It is the installer's responsibility to make sure the structure to which this component is attached can support five times the combined weight of all equipment. Reinforce the structure as required before installing the component.

**! WARNING:** Exceeding the weight capacity can result in serious personal injury or damage to equipment! It is the installer's responsibility to make sure the combined weight of all components located on the CH-SFCC1 does not exceed 20 lbs (9.1 kg). Use with products heavier than the maximum weight indicated may result in collapse of the mount and its accessories causing possible injury.

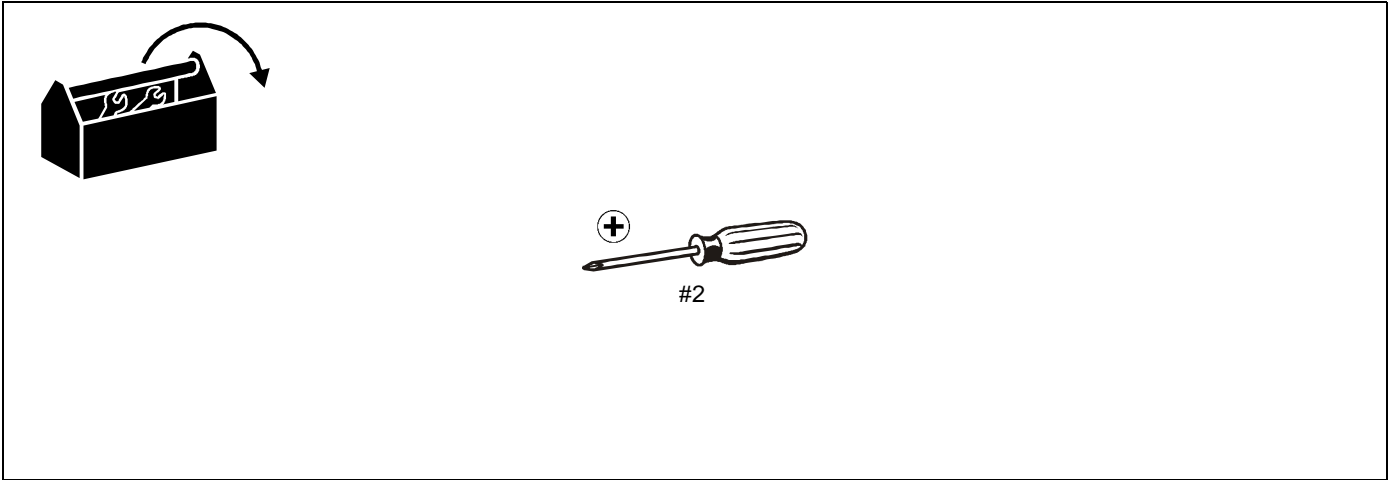
**DIMENSIONS**



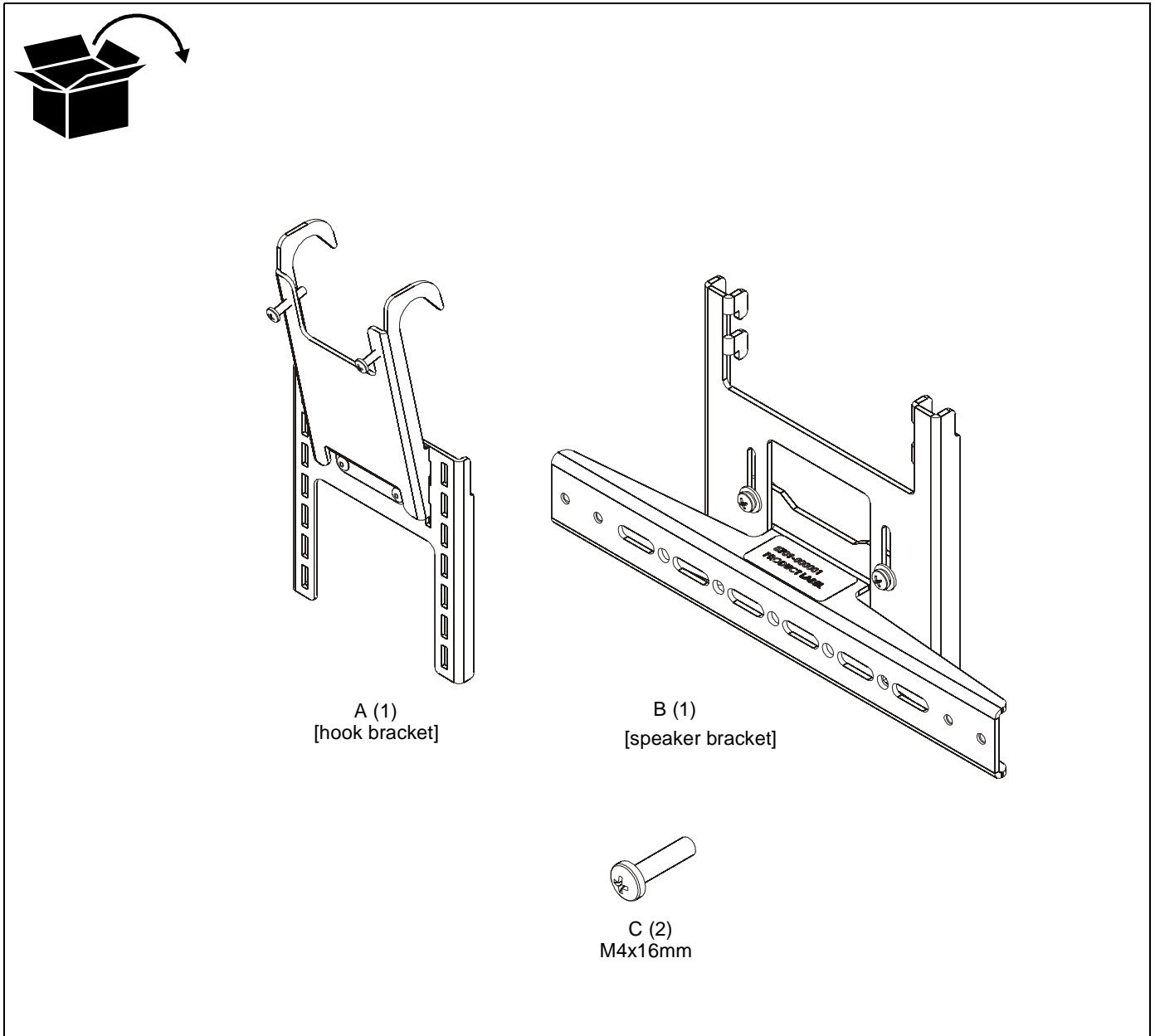
**LEGEND**

	<p><b>Tighten Fastener</b>                      Apretar elemento de fijación                      Befestigungsteil festziehen                      Apertar fixador                      Serrare il fissaggio                      Bevestiging vastdraaien                      Serrez les fixations</p>		<p><b>Pencil Mark</b>                      Marcar con lápiz                      Stiftmarkierung                      Marcar com lápis                      Segno a matita                      Potloodmerkteken                      Marquage au crayon</p>
	<p><b>Loosen Fastener</b>                      Aflojar elemento de fijación                      Befestigungsteil lösen                      Desapertar fixador                      Allentare il fissaggio                      Bevestiging losdraaien                      Desserrez les fixations</p>		<p><b>Drill Hole</b>                      Perforar                      Bohrloch                      Fazer furo                      Praticare un foro                      Gat boren                      Percez un trou</p>
	<p><b>Phillips Screwdriver</b>                      Destornillador Phillips                      Kreuzschlitzschraubendreher                      Chave de fendas Phillips                      Cacciavite a stella                      Kruikschroevendraaier                      Tournevis à pointe cruciforme</p>		<p><b>Adjust</b>                      Ajustar                      Einstellen                      Ajustar                      Regolare                      Afstellen                      Ajuster</p>
	<p><b>Open-Ended Wrench</b>                      Llave de boca                      Gabelschlüssel                      Chave de bocas                      Chiave a punte aperte                      Steeksleutel                      Clé à fourche</p>		<p><b>Remove</b>                      Quitar                      Entfernen                      Remover                      Rimuovere                      Verwijderen                      Retirez</p>
	<p><b>By Hand</b>                      A mano                      Von Hand                      Com a mão                      A mano                      Met de hand                      À la main</p>		<p><b>Optional</b>                      Opcional                      Optional                      Opcional                      Opzionale                      Optie                      En option</p>
	<p><b>Hex-Head Wrench</b>                      Llave de cabeza hexagonal                      Sechskantschlüssel                      Chave de cabeça sextavada                      Chiave esagonale                      Zeskantsleutel                      Clé à tête hexagonale</p>		<p><b>Security Wrench</b>                      Llave de seguridad                      Sicherheitsschlüssel                      Chave de segurança                      Chiave di sicurezza                      Veiligheidssleutel                      Clé de sécurité</p>

### TOOLS REQUIRED FOR INSTALLATION



### PARTS



## ASSEMBLY AND INSTALLATION

### Attaching to Wall Mount

**NOTE:** The CH-SFCC1 may be attached to the wall mount with the display already in place, or with the display removed. Proceed to either **Installing to Wall Mount with Display Attached** or **Installing to Wall Mount with Display Removed** section.

#### Installing to Wall Mount with Display Attached

1. Pull out bottom of display.
2. Remove two Phillips pan machine screws from upper holes on hook bracket (A)
3. From below and behind the display, raise and hang hook bracket (A) onto wall mount rail. (See Figure 1)

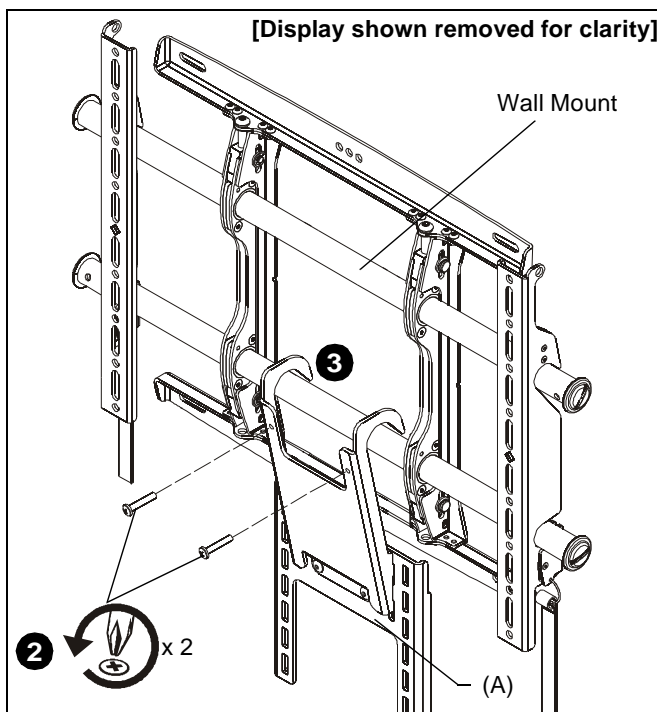


Figure 1

4. Hang speaker bracket (B) onto the hook bracket (A). (See Figure 2)

**NOTE:** The speaker bracket (B) may be adjusted up or down on the hook bracket (A) in  $\frac{7}{8}$ " increments for  $4\frac{3}{8}$ " adjustment, PLUS 1" infinite adjustment on the hook bracket (A) for a total height adjustability of  $5\frac{3}{8}$ ".

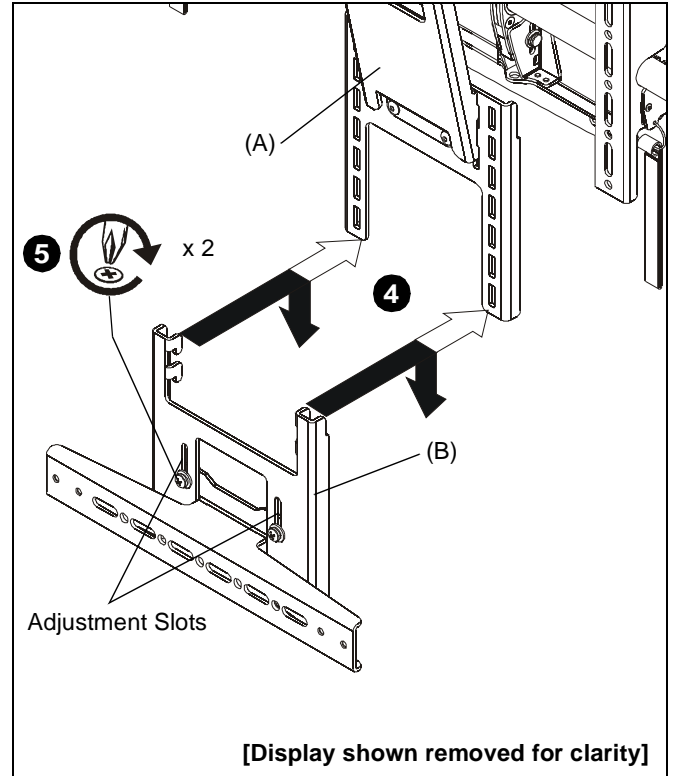


Figure 2

5. Adjust the speaker height by holding onto hook bracket (B) while using the adjustment slots to fine tune the speaker height.
6. Tighten two screws to secure in place. (See Figure 2)

### Installing to Wall Mount with Display Removed

**NOTE:** Installing the CHS-FCC1 to a wall mount where a display has been removed allows use of security screws to prevent the CH-SFCC1 from being removed.

1. Hang hook bracket (B) with attached speaker bracket onto the upper hook bracket (A). (See Figure 3)

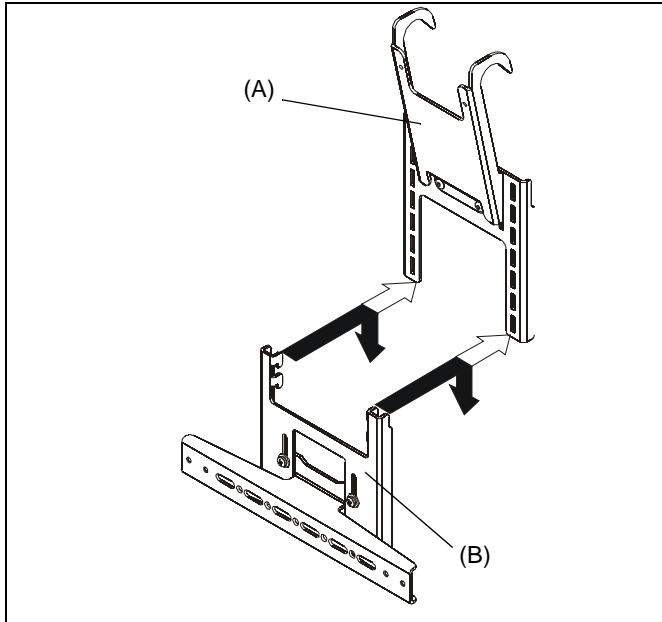


Figure 3

**NOTE:** The speaker bracket (B) may be adjusted up or down on the hook bracket (A) in 7/8" increments for 4 3/8" adjustment, PLUS 1" infinite adjustment on the hook bracket (A) for a total height adjustability of 5 3/8".

2. Remove display if already attached to wall mount following instructions included with the wall mount.
3. Hang hook bracket (B) on lower wall mount rail.
4. Adjust location of CH-SFCC1 and secure to wall mount rail using two Phillips pan head screws. (See Figure 4)
5. Hang display on wall mount following installation instructions included with the wall mount.
6. Adjust the speaker height by holding onto hook bracket (B) while using the adjustment slots to fine tune the speaker height.
7. Tighten two screws to secure in place. (See Figure 4)

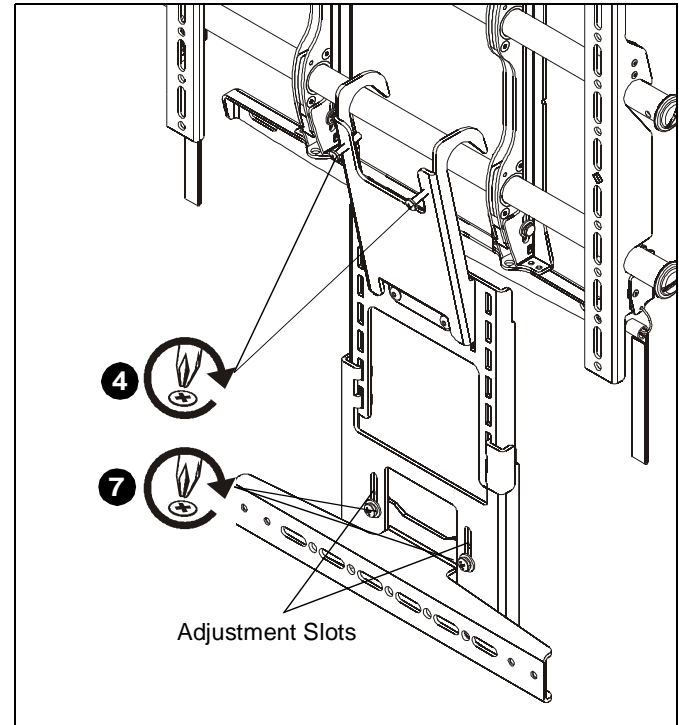


Figure 4

### Installing Speaker

1. Install two M4x16mm Phillips pan machine screws (C) to speaker bracket (C) in holes corresponding to mounting holes on back of center speaker. (See Figure 5)

**NOTE:** Do not fully install screws. Leave screws hanging out enough to hang speaker in the next step. See speaker installation instructions for further details.

2. Hang speaker onto screws installed in Step 1. (See Figure 5)

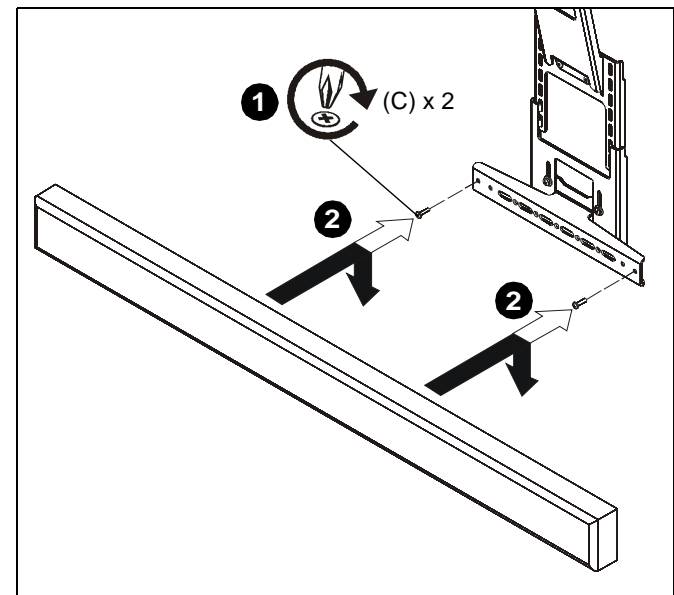
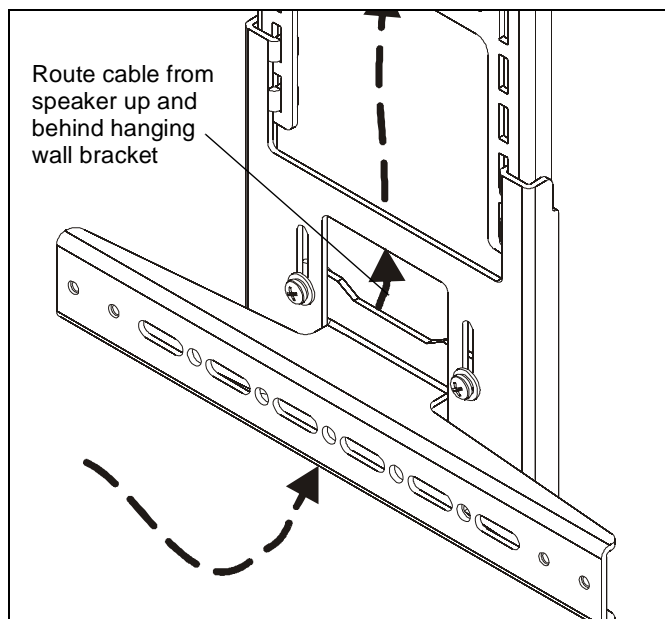


Figure 5

## Routing Cable

1. Route cable from speaker up and behind the CH-SFCC1.  
(See Figure 6)



**Figure 6**

**SONY**<sup>®</sup>

**Sony Electronics, Inc.**

1 Sony Drive  
Park Ridge, NJ 07656  
201-930-1000  
[www.sony.com/displaysystems](http://www.sony.com/displaysystems)

8800-002119 Rev00  
08/11

