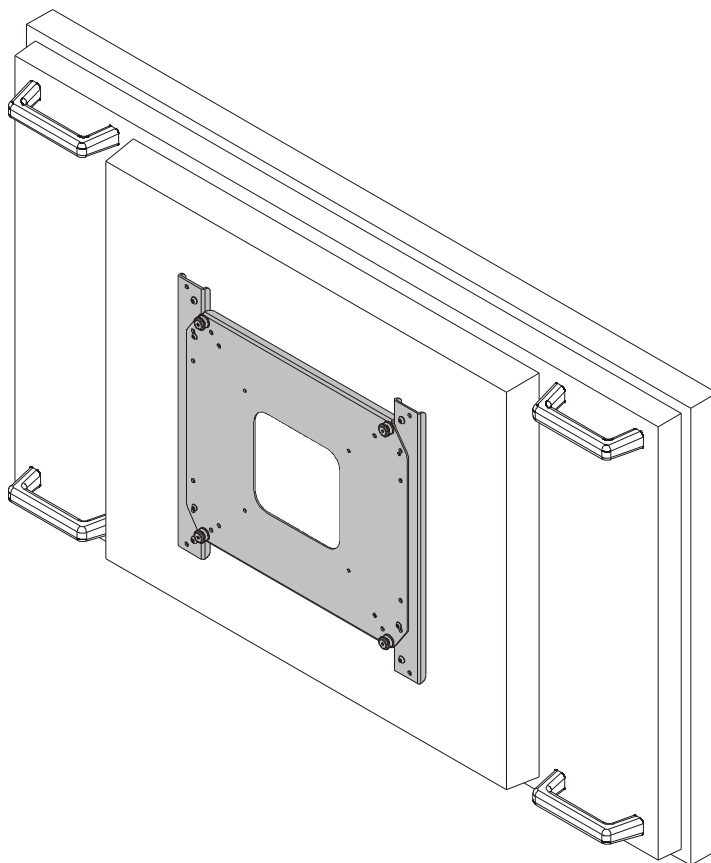

INSTALLATION INSTRUCTIONS



Sony Custom Interface Bracket

SONY®

CH-SINTBR

DISCLAIMER

Sony Electronics, Inc., and its affiliated corporations and subsidiaries (collectively, "Sony"), intend to make this manual accurate and complete. However, Sony makes no claim that the information contained herein covers all details, conditions or variations, nor does it provide for every possible contingency in connection with the installation or use of this product. The information contained in this document is subject to change without notice or obligation of any kind. Sony makes no representation of warranty, expressed or implied, regarding the information contained herein. Sony assumes no responsibility for accuracy, completeness or sufficiency of the information contained in this document.

! IMPORTANT WARNINGS AND CAUTIONS!

! WARNING: A WARNING alerts you to the possibility of serious injury or death if you do not follow the instructions.

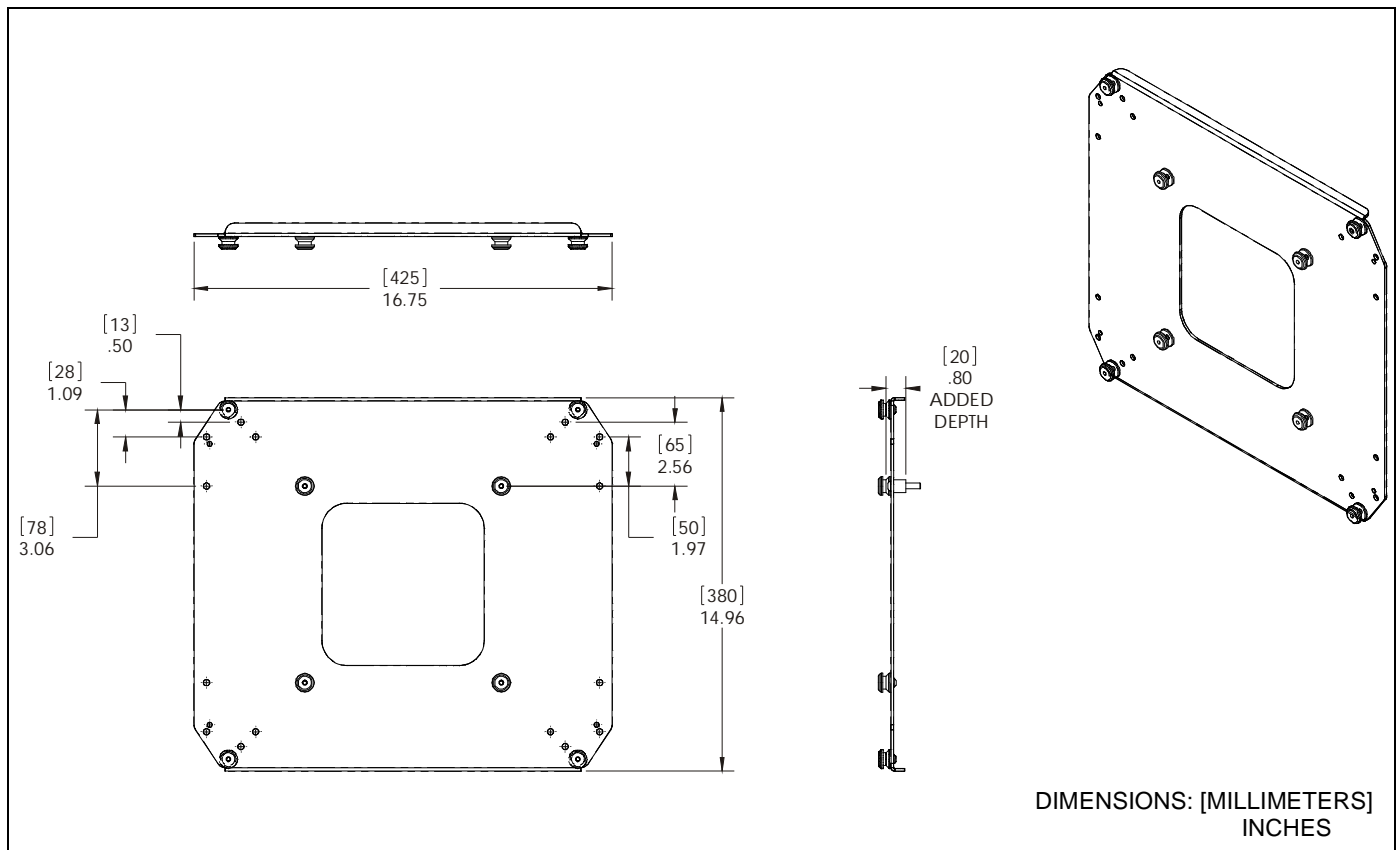
! CAUTION: A CAUTION alerts you to the possibility of damage or destruction of equipment if you do not follow the corresponding instructions.

! WARNING: Failure to read, thoroughly understand, and follow all instructions can result in serious personal injury, damage to equipment, or voiding of factory warranty! It is the installer's responsibility to make sure all components are properly assembled and installed using the instructions provided.

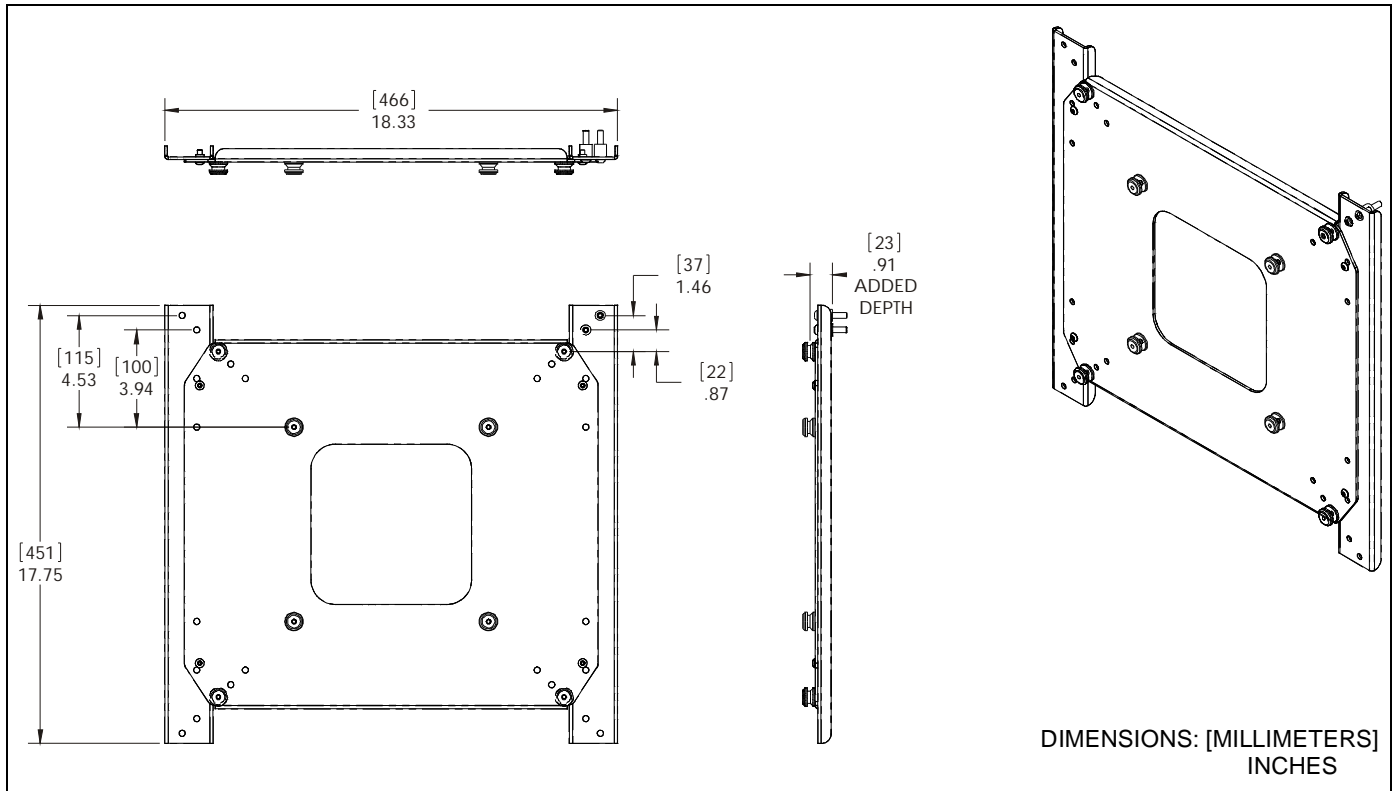
! WARNING: Failure to provide adequate structural strength for this component can result in serious personal injury or damage to equipment! It is the installer's responsibility to make sure the structure to which this component is attached can support five times the combined weight of all equipment. Reinforce the structure as required before installing the component.

! WARNING: Exceeding the weight capacity can result in serious personal injury or damage to equipment! It is the installer's responsibility to make sure the combined weight of all components attached to the CH-SINTBR does not exceed 125 lbs (56.70 kg) when using a 200 x 200 hole pattern or 175 lbs (79.38 kg) for all other hole patterns.

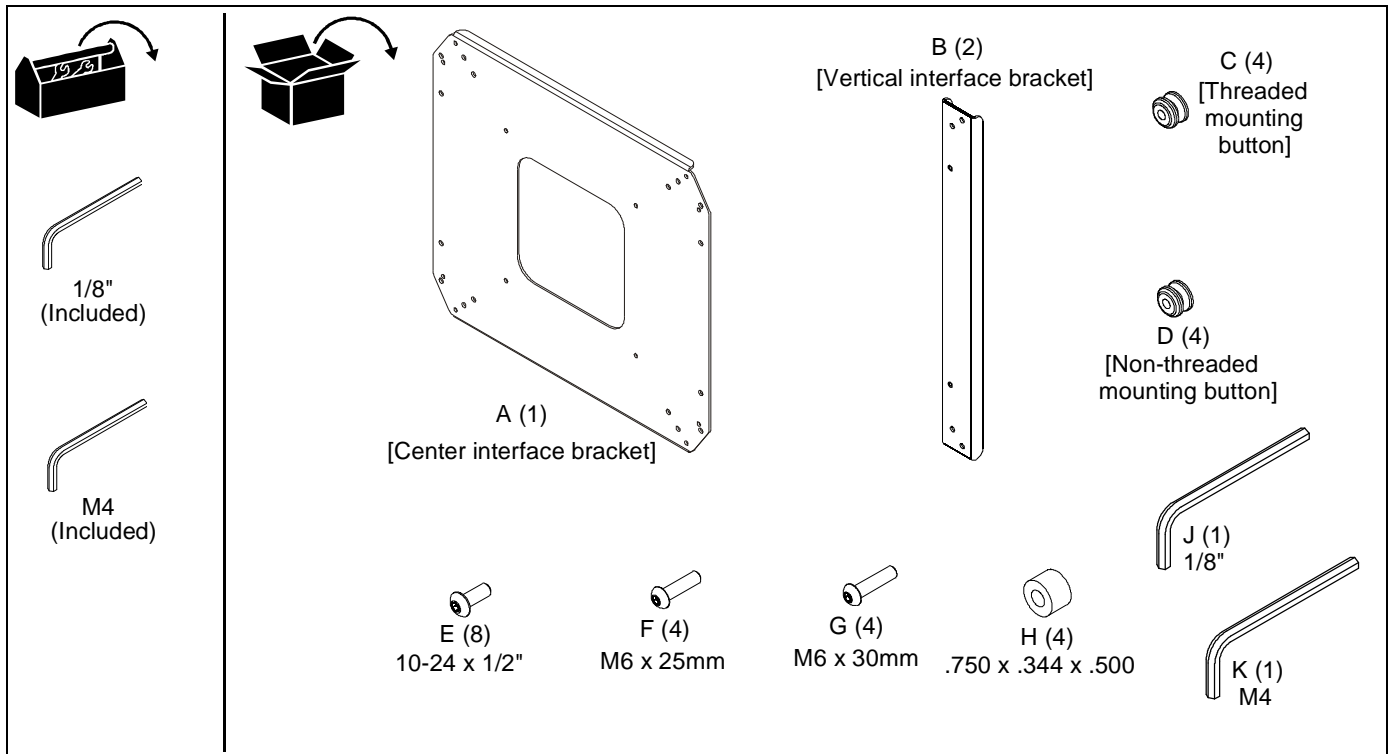
DIMENSIONS (without Vertical Brackets)




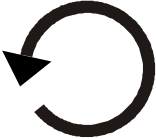
DIMENSIONS (with Vertical Brackets)





TOOLS REQUIRED FOR INSTALLATION / PARTS



LEGEND

	Tighten Fastener
	Apretar elemento de fijación
	Befestigungsteil festziehen
	Apertar fixador
	Serrare il fissaggio
	Bevestiging vastdraaien
	Serrez les fixations
Сожмите Застежку	
	Loosen Fastener
	Aflojar elemento de fijación
	Befestigungsteil lösen
	Desapertar fixador
	Allentare il fissaggio
	Bevestiging losdraaien
	Desserrez les fixations
Ослабьте Застежку	

	Adjust
	Ajustar
	Einstellen
	Ajustar
	Regolare
	Afstellen
	Hex-Head Wrench
	Llave de cabeza hexagonal
	Sechskantschlüssel
	Chave de cabeça sextavada
	Chiave esagonale
	Zeskantsleutel
	Clé à tête hexagonale
Главный ведемый Рывок	

ASSEMBLY

The CH-SINTBR custom interface bracket kit includes the hardware necessary to install each of the display models listed in Table 1 below. Refer to Table 1 to determine which hardware is required for each display installation.

Model Number	Center Bracket (A)	Vertical Brackets (B)	Threaded Buttons (C)	Non-Threaded Buttons (D)	#10-24 x 1/2" Screws (E)	M6 x 25mm Screws (F)	M6 x 30mm Screws (G)	Spacers (H)
FWD-32LX2	1		4		4		4	4
FWD-40LX2	1	2	4		8	*	*	4
FWD-S42H1	1		4		4		4	4
FWD-S47H1	1		4		4		4	4
FWD-50PX3	1	2	4		8	4		4
KLH-W32	1		4		4	4		4
KLH-40X1	1		4		4		4	4
GXD-L52H1	1	2	4		8		4	4
KDL-32M4000				4		4		
KDL-37M4000	1		4		4		4	4
KDL-40SL140	1		4		4		4	4
KDL-46SL140	1		4		4	*	*	4
KDL-32N4000				4		4		
KDL-32NL140				4		4		
KDL-37N4000	1		4		4		4	4
KDL-37NL140	1		4		4		4	4
KDL-32EX500				4		4		
KDL-40EX500	1		4		4	4		4
KDL-46EX500	1		4		4	4		4
KDL-55EX500	1		4		4	4		4
KDL-60EX500	1		4		4	4		4
KDL-32S5100				4		4		
KDL-40S5100	1		4		4	4		4
KDL-46S5100	1		4		4	4		4
KDL-52S5100	1		4		4	4		4

Table 1

* Use the longest screw that fully threads into the display.

ATTACH MOUNTING BUTTONS

Attach Mounting Buttons Directly to Display

For displays with a 200 x 200 hole pattern, no interface bracket is necessary for installation. For all other hole patterns, skip ahead to **Attach Mounting Buttons to Interface Bracket** section.



WARNING: Exceeding the weight capacity can result in serious personal injury or damage to equipment! It is the installer's responsibility to make sure the combined weight of all components attached to the CH-SINTBR does not exceed 125 lbs (56.70 kg) when using a 200 x 200 hole pattern.



WARNING: When screws are threaded into back of display, they should thread into the holes easily. DO NOT force a stuck screw into the display. Doing so could cause permanent damage to the display!

1. Install four M6 x 25mm button head cap screws (F) through non-threaded mounting buttons (D) and into holes on back of display. (See Figure 1)

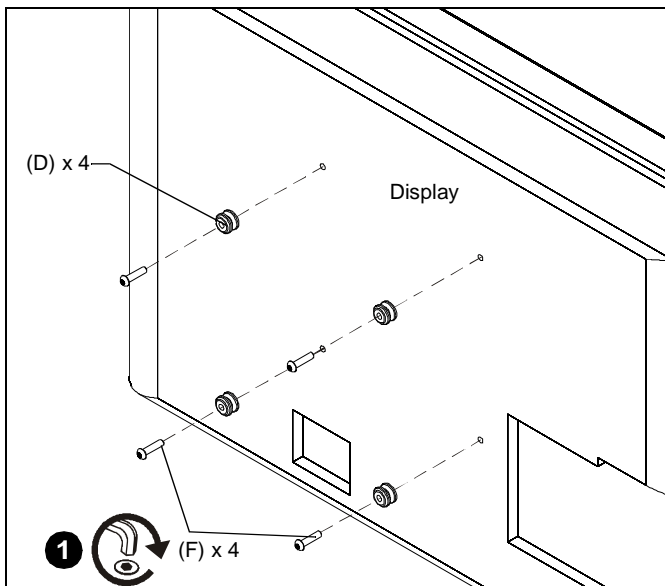


Figure 1

Attach Mounting Buttons to Interface Bracket

1. Insert four #10-24 x 1/2" button head cap screws (E) through four inner holes of interface plate and into four threaded mounting buttons (C). (See Figure 2)

NOTE: For wide mounting configurations on mounting device, mounting buttons may be installed to wider holes on interface bracket. (See Figure 3)

Attach Vertical Brackets to Interface Bracket

NOTE: For wide hole configurations on display, using the vertical interface brackets may be required. If this is the case, these brackets must be attached to the center interface bracket prior to attaching bracket to display. Otherwise, skip ahead to **Attach Interface Bracket to Display** section.

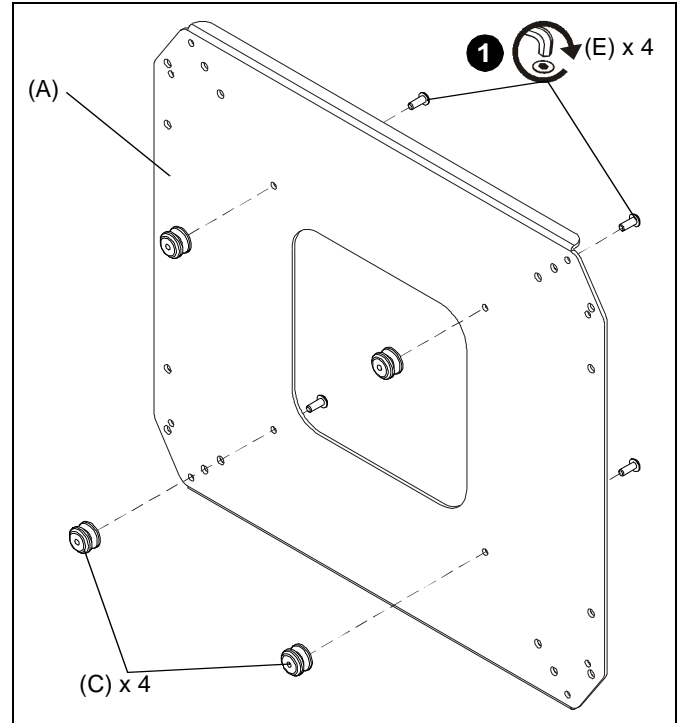


Figure 2

1. Install four #10-24 x 1/2" button head cap screws (E) through corresponding holes in interface bracket (A) and vertical brackets (B). (See Figure 3)

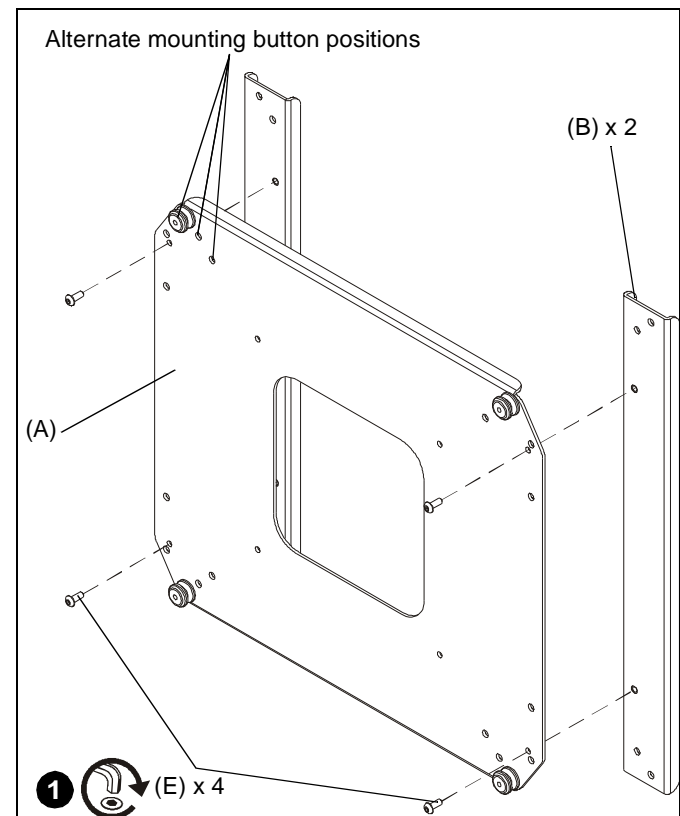


Figure 3

Attach Interface Bracket to Display

⚠ WARNING: Exceeding the weight capacity can result in serious personal injury or damage to equipment! It is the installer's responsibility to make sure the combined weight of all components attached to the CH-SINTBR does not exceed 125 lbs (56.70 kg) when using a 200 x 200 hole pattern or 175 lbs (79.38 kg) for all other hole patterns.

⚠ WARNING: When screws are threaded into back of display, they should thread into the holes easily. **DO NOT** force a stuck screw into the display. Doing so could cause permanent damage to the display!

Without Using Vertical Brackets

1. Install four M6 x 25mm or M6 x 30mm button head cap screws (F or G) through corresponding holes on interface bracket (A), spacers (H) and into holes on back of display. (See Figure)

NOTE: Refer to Table 1 to determine screw length.

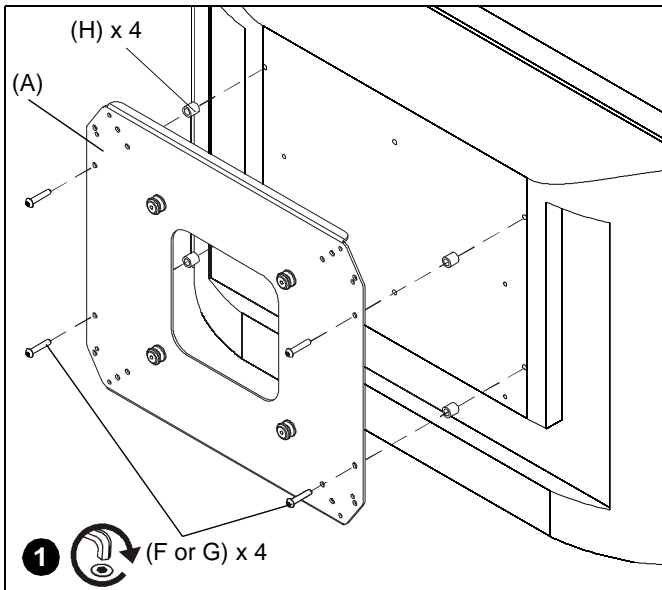


Figure 4

Using Vertical Brackets

1. Install four M6 x 25mm or M6 x 30mm button head cap screws (F or G) through corresponding holes on vertical brackets (B), spacers (H) and into holes on back of display. (See Figure 5)
2. Refer to Table 1 to determine screw length.

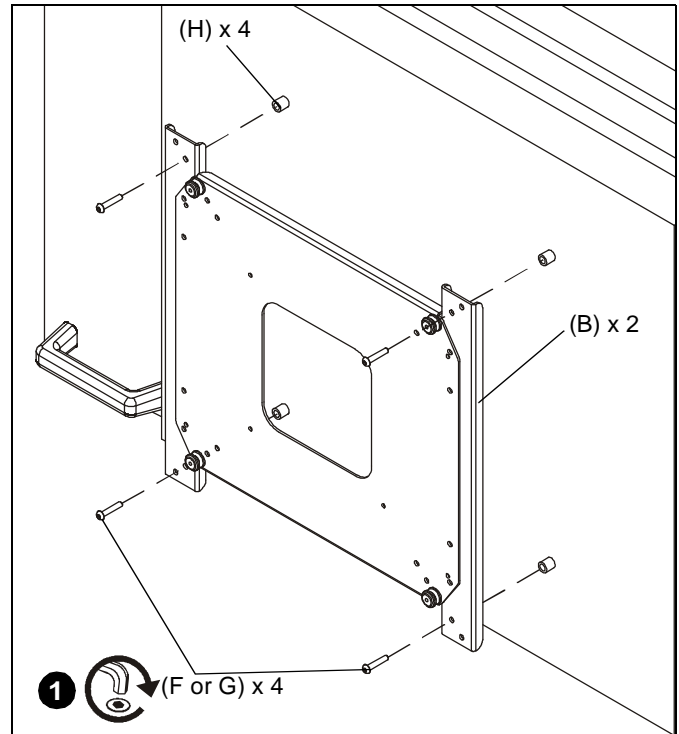


Figure 5

SONY®

8832-002047 Rev00
10/10

Sony Electronics Inc.

1 Sony Drive
Park Ridge, NJ 07656
201-930-1000
www.sony.com/displaysystems