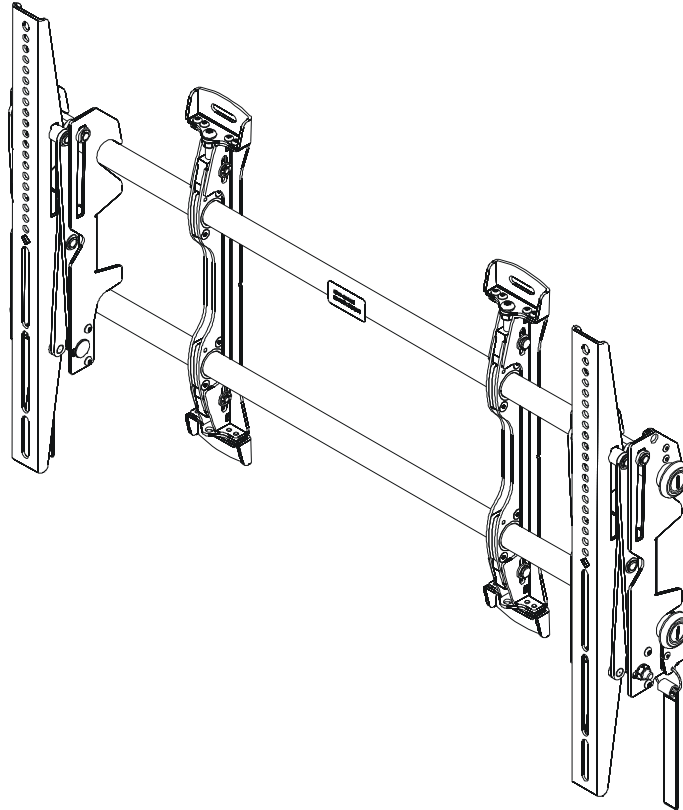

INSTALLATION INSTRUCTIONS



LARGE PULL-OUT FLAT PANEL MOUNTS

SONY®

CH-SLSMVU

DISCLAIMER

Sony Electronics, Inc., and its affiliated corporations and subsidiaries (collectively, "Sony"), intend to make this manual accurate and complete. However, Sony makes no claim that the information contained herein covers all details, conditions or variations, nor does it provide for every possible contingency in connection with the installation or use of this product. The information contained in this document is subject to change without notice or obligation of any kind. Sony makes no representation of warranty, expressed or implied, regarding the information contained herein. Sony assumes no responsibility for accuracy, completeness or sufficiency of the information contained in this document.



WARNING: Failure to read, thoroughly understand, and follow all instructions can result in serious personal injury, damage to equipment, or voiding of factory warranty! It is the installer's responsibility to make sure all components are properly assembled and installed using the instructions provided.



WARNING: Failure to provide adequate structural strength for this component can result in serious personal injury or damage to equipment! It is the installer's responsibility to make sure the structure to which this component is attached can support five times the combined weight of all equipment. Reinforce the structure as required before installing the component. The wall to which the mount is being attached may have a maximum drywall thickness of 5/8" (1.6cm).



WARNING: Exceeding the weight capacity can result in serious personal injury or damage to equipment! It is the installer's responsibility to make sure the combined weight of all components located on the CH-SLSMVU does not exceed 150 lbs (68 kg).



IMPORTANT WARNINGS AND CAUTIONS!

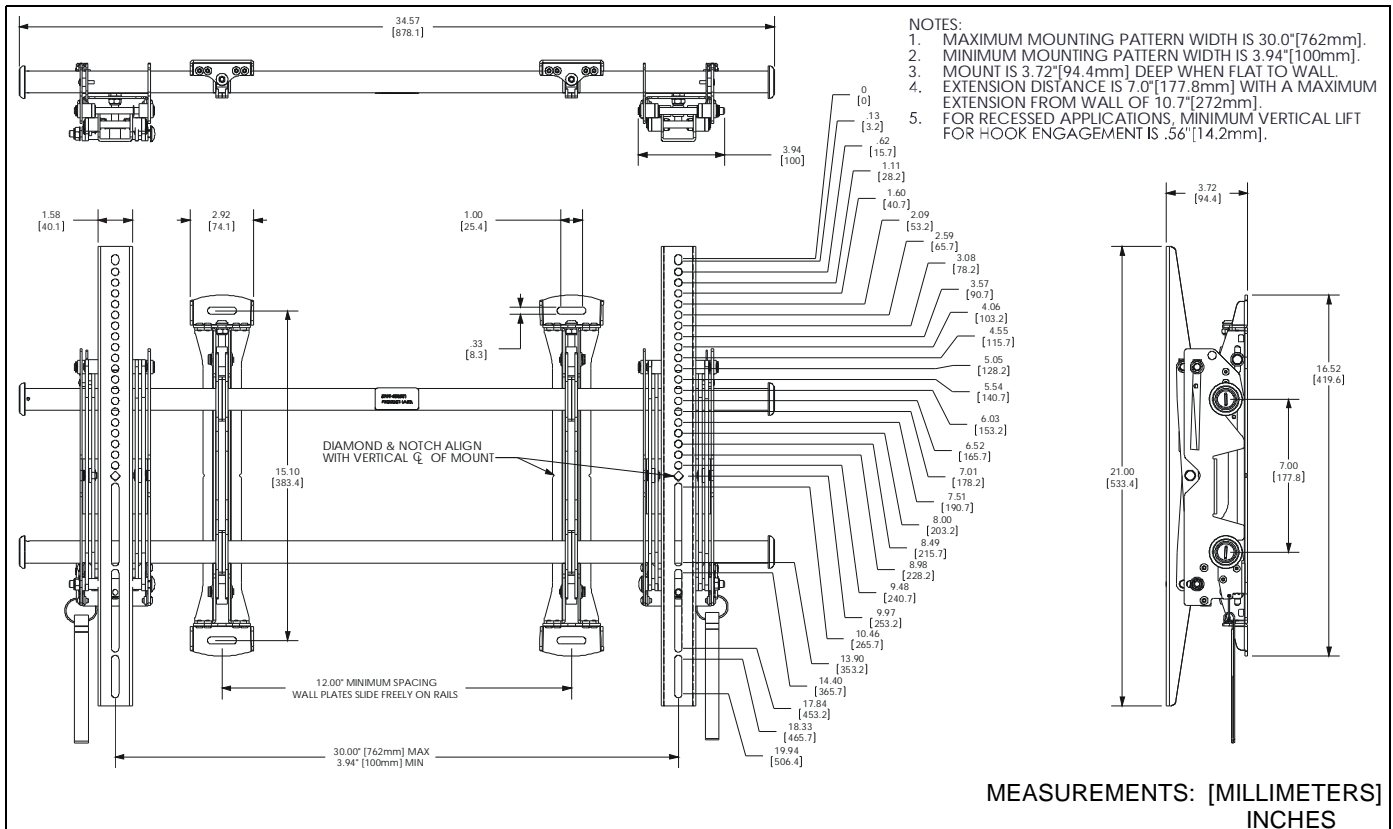


WARNING: A WARNING alerts you to the possibility of serious injury or death if you do not follow the instructions.

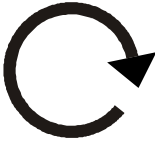

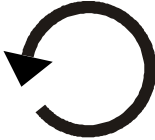











CAUTION: A CAUTION alerts you to the possibility of damage or destruction of equipment if you do not follow the corresponding instructions.

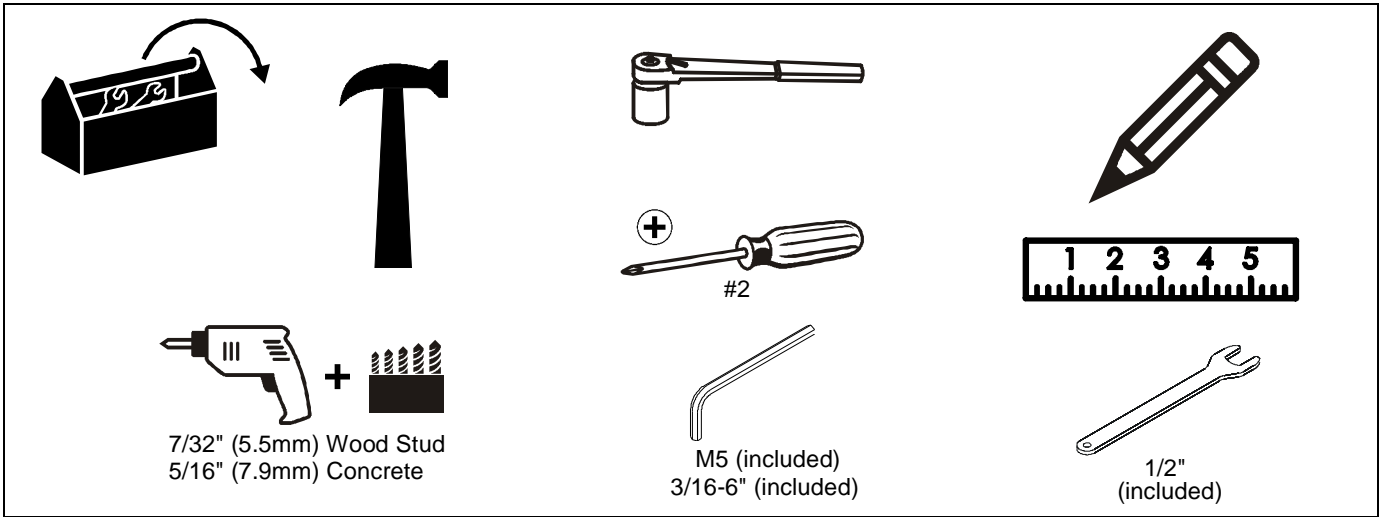
DIMENSIONS



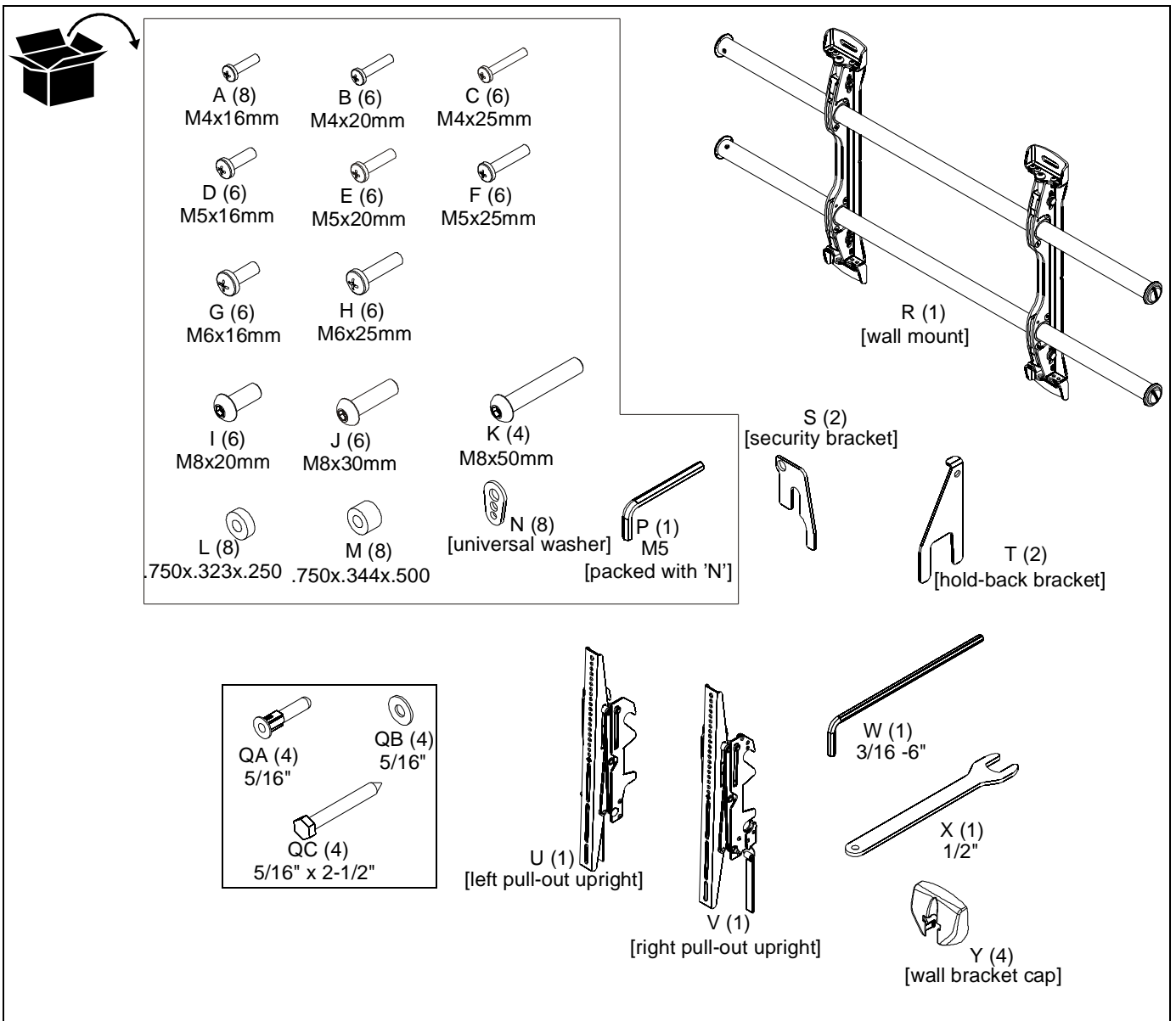
LEGEND

	<p>Tighten Fastener</p> <p>Apretar elemento de fijación</p> <p>Befestigungsteil festziehen</p> <p>Apertar fixador</p> <p>Serrare il fissaggio</p> <p>Bevestiging vastdraaien</p> <p>Serrez les fixations</p>		<p>Pencil Mark</p> <p>Marcar con lápiz</p> <p>Stiftmarkierung</p> <p>Marcar com lápis</p> <p>Segno a matita</p> <p>Potloodmerkteken</p> <p>Marquage au crayon</p>
	<p>Loosen Fastener</p> <p>Aflojar elemento de fijación</p> <p>Befestigungsteil lösen</p> <p>Desapertar fixador</p> <p>Allentare il fissaggio</p> <p>Bevestiging losdraaien</p> <p>Desserrez les fixations</p>		<p>Drill Hole</p> <p>Perforar</p> <p>Bohrloch</p> <p>Fazer furo</p> <p>Praticare un foro</p> <p>Gat boren</p> <p>Percez un trou</p>
	<p>Phillips Screwdriver</p> <p>Destornillador Phillips</p> <p>Kreuzschlitzschraubendreher</p> <p>Chave de fendas Phillips</p> <p>Cacciavite a stella</p> <p>Kruiskopschroevendraaier</p> <p>Tournevis à pointe cruciforme</p>		<p>Adjust</p> <p>Ajustar</p> <p>Einstellen</p> <p>Ajustar</p> <p>Regolare</p> <p>Afstellen</p> <p>Ajuster</p>
	<p>Open-Ended Wrench</p> <p>Llave de boca</p> <p>Gabelschlüssel</p> <p>Chave de bocas</p> <p>Chiave a punte aperte</p> <p>Steeksleutel</p> <p>Clé à fourche</p>		<p>Remove</p> <p>Quitar</p> <p>Entfernen</p> <p>Remover</p> <p>Rimuovere</p> <p>Verwijderen</p> <p>Retirez</p>
	<p>By Hand</p> <p>A mano</p> <p>Von Hand</p> <p>Com a mão</p> <p>A mano</p> <p>Met de hand</p> <p>À la main</p>		<p>Optional</p> <p>Opcional</p> <p>Optional</p> <p>Opcional</p> <p>Opzionale</p> <p>Optie</p> <p>En option</p>
	<p>Hex-Head Wrench</p> <p>Llave de cabeza hexagonal</p> <p>Sechskantschlüssel</p> <p>Chave de cabeça sextavada</p> <p>Chiave esagonale</p> <p>Zeskantsleutel</p> <p>Clé à tête hexagonale</p>		<p>Security Wrench</p> <p>Llave de seguridad</p> <p>Sicherheitsschlüssel</p> <p>Chave de segurança</p> <p>Chiave di sicurezza</p> <p>Veiligheidssleutel</p> <p>Clé de sécurité</p>

TOOLS REQUIRED FOR INSTALLATION



PARTS



INSTALLATION

Locate Mounting Site



WARNING: IMPROPER INSTALLATION CAN LEAD TO MOUNT FALLING CAUSING SEVERE PERSONAL INJURY OR DAMAGE TO EQUIPMENT! It is the installers responsibility to make certain the structure to which the mount is being attached is capable of supporting five times the weight of the CH-SLSMVU and all attached equipment not to exceed 150 lbs (68 kg).

NOTE: Proceed to either the **Installing CH-SLSMVU to a Wood Stud Wall** section, or **Installing CH-SLSMVU to Wall - Concrete, Concrete Block** section.

IMPORTANT !: For video wall mounting, mounts should be installed one screen height apart vertically and approximately one screen width apart horizontally. (See Figure 1)

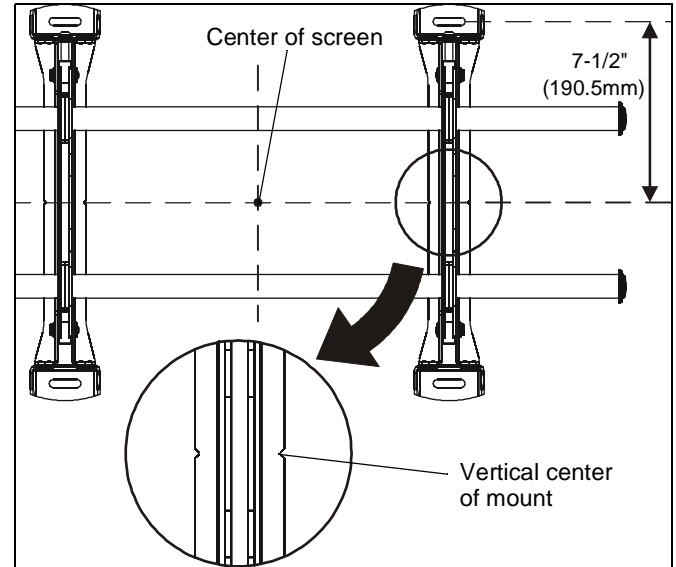


Figure 2

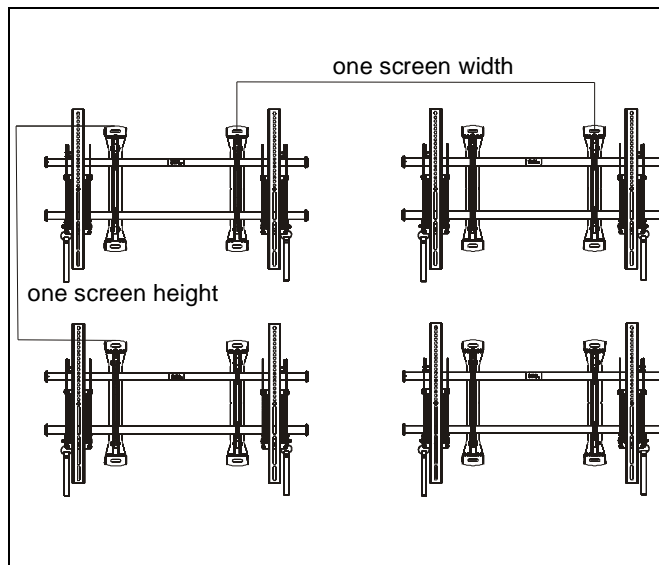


Figure 1

Mounting CH-SLSMVU to Wall

The CH-SLSMVU has been designed to be mounted directly onto either a wood stud or concrete wall.

Installing CH-SLSMVU to a Wood Stud Wall

1. Determine the center of the TV screen, and where it should be located on the wall.
2. Locate the closest stud to the left and right of the selected location.

NOTE: If the screen area lies over a stud, use that stud and the stud to either the left or right of it.

3. Line up the notches on mount (R) with center of screen marking to determine vertical center. (See Figure 2)
4. Measure up 7-1/2" (190.5mm) from the center point to mark location of the upper mounting slots. (See Figure 2)

- Using a level, mark the wall on each stud to attach the mount through the upper mounting slots. (See Figure 3)

WARNING: ELECTRICAL SHOCK HAZARD! CUTTING OR DRILLING INTO ELECTRICAL CORDS OR CABLES CAN CAUSE DEATH OR SERIOUS PERSONAL INJURY! ALWAYS make certain area behind mounting surface is free of electrical wires and cables before drilling or installing fasteners.

WARNING: EXPLOSION AND FIRE HAZARD! CUTTING OR DRILLING INTO GAS PLUMBING CAN CAUSE DEATH OR SERIOUS PERSONAL INJURY! ALWAYS make certain area behind mounting surface is free of gas, water, waste, or any other plumbing before cutting, drilling, or installing fasteners.

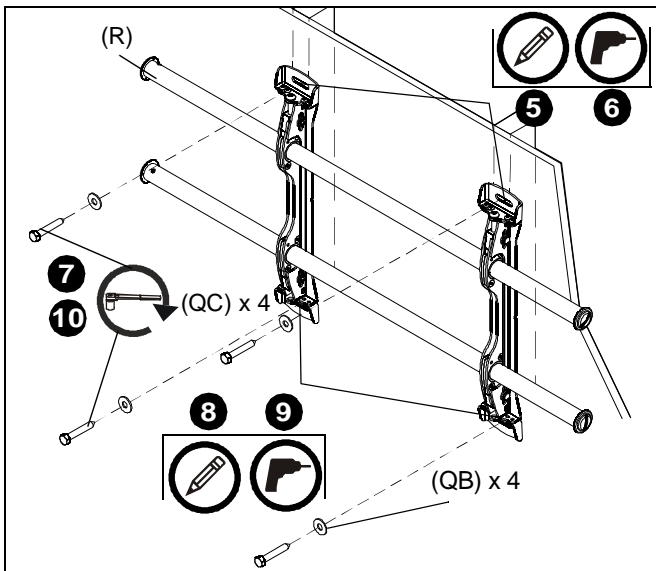


Figure 3

- Drill one 7/32" pilot hole in each stud.
- Use two 5/16 x 2-1/2" lag bolts (QC) and two 5/16" flat washers (QB) to attach top of mount (R) to wall. (See Figure 3)
- Mark the attachment points for the lower mounting slots, making sure the attachment points are located on the studs. (See Figure 3)
- Drill 7/32" pilot holes at markings for lower mounting holes. (See Figure 3)
- Use two 5/16 x 2-1/2" lag bolts (QC) and two 5/16" flat washers (QB) to attach the mount to the wall through the lower mounting holes. (See Figure 3)
- Slide rails to approximate center of screen location.

Installing CH-SLSMVU to Wall - Concrete, Concrete Block

- Determine the center of the TV screen, and where it should be located on the wall.
- Line up the notches on mount (R) with center of screen marking to determine vertical center. (See Figure 4)
- Measure up 7-1/2" (190.5mm) from the center point to mark location of the upper mounting slots. (See Figure 4)
- Using a level, mark the wall through both upper mounting slots. (See Figure 4)

CAUTION: MINIMUM HORIZONTAL DISTANCE BETWEEN WALL BRACKETS IS 12" (304.8mm). Do not place mounting brackets closer together than 12" (304.8mm).

WARNING: ELECTRICAL SHOCK HAZARD! CUTTING OR DRILLING INTO ELECTRICAL CORDS OR CABLES CAN CAUSE DEATH OR SERIOUS PERSONAL INJURY! ALWAYS make certain area behind mounting surface is free of electrical wires and cables before drilling or installing fasteners.

WARNING: EXPLOSION AND FIRE HAZARD! CUTTING OR DRILLING INTO GAS PLUMBING CAN CAUSE DEATH OR SERIOUS PERSONAL INJURY! ALWAYS make certain area behind mounting surface is free of gas, water, waste, or any other plumbing before cutting, drilling, or installing fasteners.

- Drill one 5/16" pilot hole at each marking.
- Install an anchor (QA) into each upper pilot hole using a hammer, making sure that the anchor is flush with the wall.
- Use two 5/16 x 2-1/2" lag bolts (QC) and two 5/16" flat washers (QB) to attach top of mount (R) to anchors in wall.
- Mark the attachment points for the lower mounting slots. (See Figure 4)
- Drill one pilot hole at each marking for lower mounting holes. (See Figure 4)
- Install an anchor (QA) into each lower pilot hole using a hammer. (See Figure 4)
- Use two 5/16 x 2-1/2" lag bolts (QC) and two 5/16" flat washers (QB) to attach the mount to the wall through the lower mounting holes. (See Figure 4)
- Slide rails to approximate center of screen location.

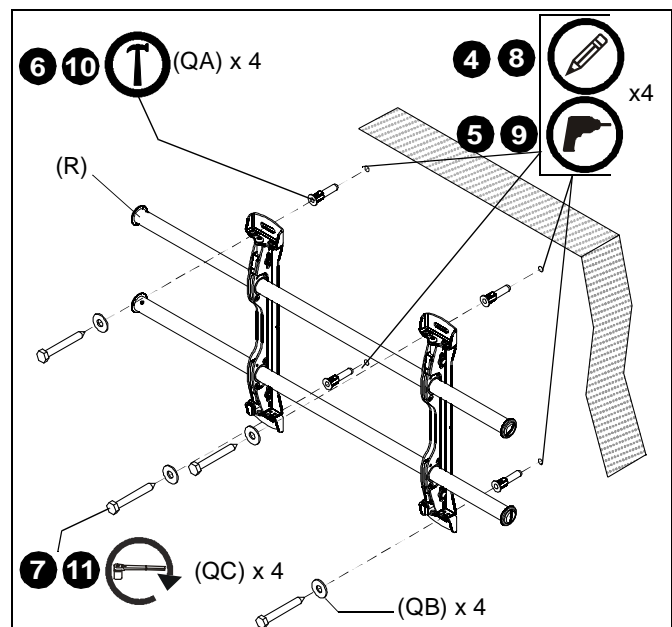


Figure 4

Attaching Uprights to Display

1. Align the center of the pull-out uprights (U and V) with center of screen. (See Figure 5)

NOTE: The diamond-shape hole in the upright corresponds to the center of the mount.

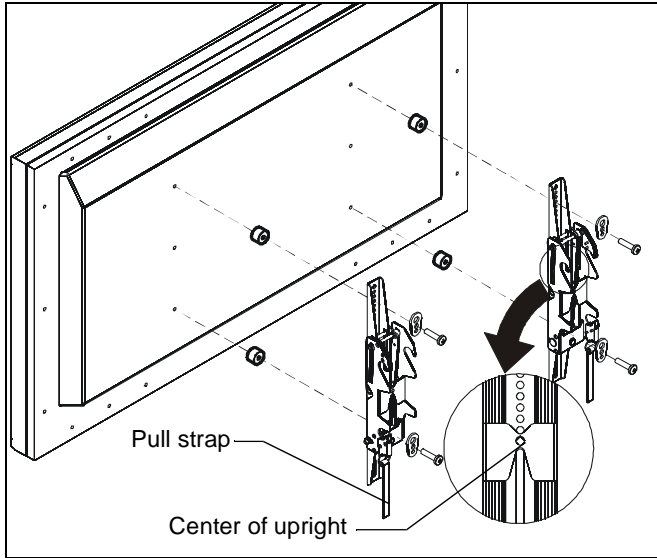


Figure 5



WARNING: IMPROPER INSTALLATION CAN LEAD TO DISPLAY FALLING CAUSING SERIOUS PERSONAL INJURY OR DAMAGE TO EQUIPMENT! Using screws of improper size may damage your display. Properly sized screws will easily and completely thread into display mounting holes. If spacers are required, be sure to use longer screws of the same diameter.

2. Select correct screws, spacers (if necessary) and universal washers from the hardware bag (A-N) and attach uprights (U and V) to back of screen. (See Figure 5)

NOTE: Uprights may need to be pulled out to the extended position in order to install screws through proper holes.

Attaching Display to Wall Mount

1. Attach wall bracket caps (Y) to top and bottom of both wall brackets. (See Figure 6)

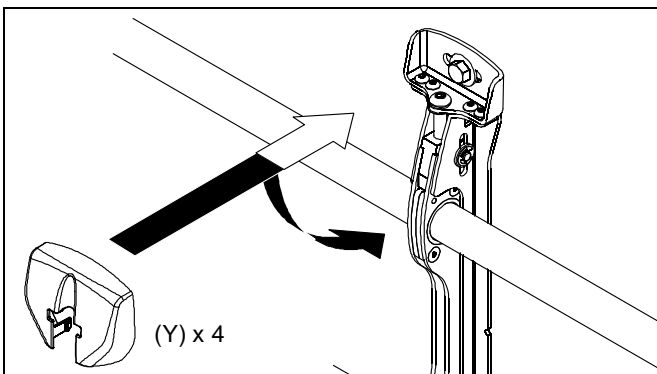


Figure 6

2. Adjust Velcro® pull strap (if necessary) so it does not extend beyond bottom of screen. (See Figure 7)

NOTE: Do NOT allow both uprights (U and V) to be located on same side of wall bracket. (See Figure 7)

NOTE: NEVER place both uprights (U and V) to one side of the wall mount center line! (See Figure 7)

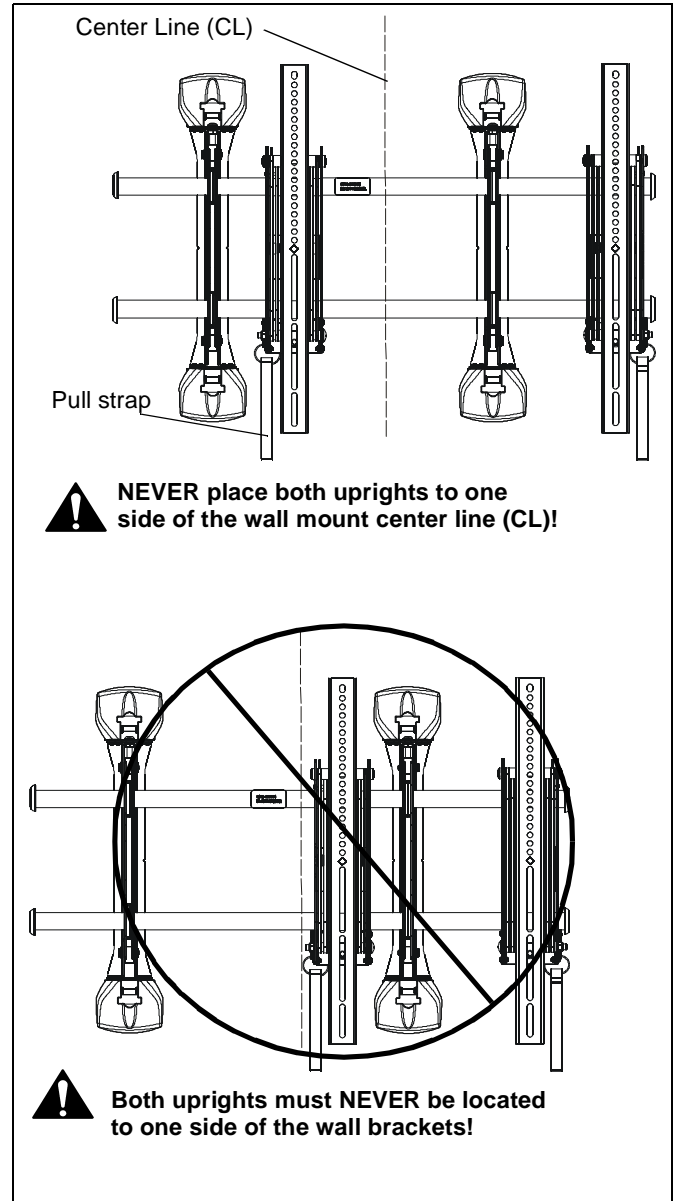


Figure 7

3. Hang top hook of uprights (U and V) onto the top bar of the mount (R). (See Figure 8)
4. Slide display and bars to desired viewing position.
5. Route cables between wall and bars.

NOTE: The pull-out feature allows the display to be pulled away from the wall for easy cable access following installation.



CAUTION: PINCH POINTS! Keep fingers, hands and cables out of pinch point areas.

6. Pull downward on the pullstraps and swing inward toward wall, latching uprights to lower bar and locking bottom of screen to the mount. (See Figure 8)

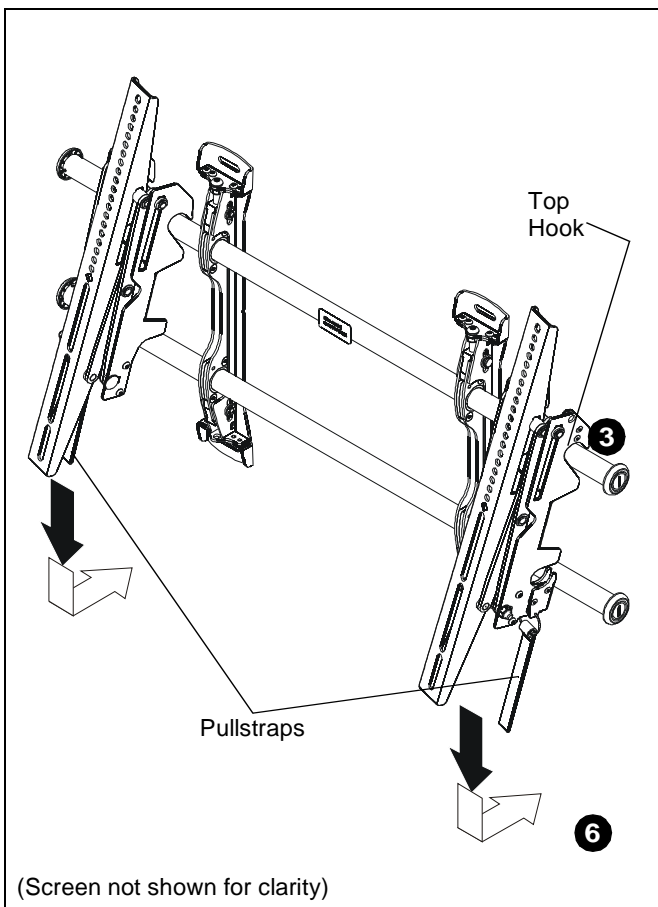


Figure 8

Plumb Adjustment

1. Using the provided 1/2" wrench (X), turn plumb adjustment bolt to the left to adjust screen away from the wall. (See Figure 9)
2. Using the provided 1/2" wrench (X), turn plumb adjustment bolt to the right to adjust screen toward the wall. (See Figure 9)

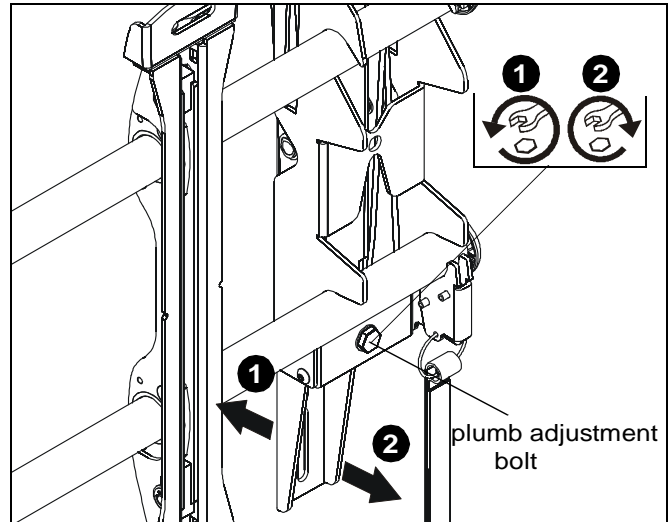


Figure 9

Adjusting Roll/Height of Wall Brackets

NOTE: The height adjust wall brackets allow adjustment of $\pm 1/2"$.

1. Turn to right (tighten) to raise side of screen. (See Figure 10)
2. Turn to left (loosen) to lower side of the screen.

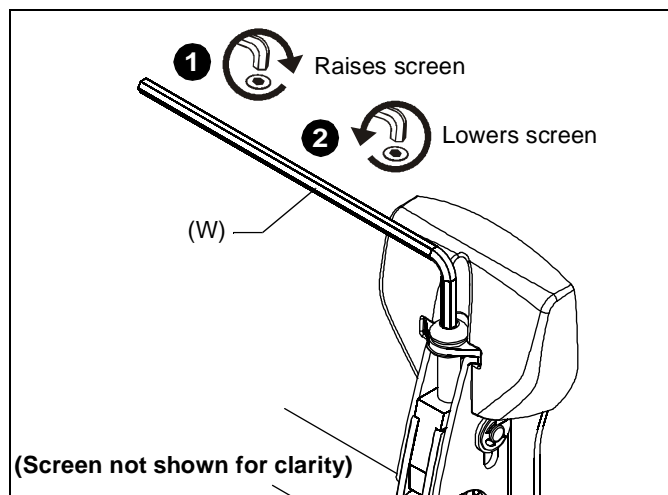
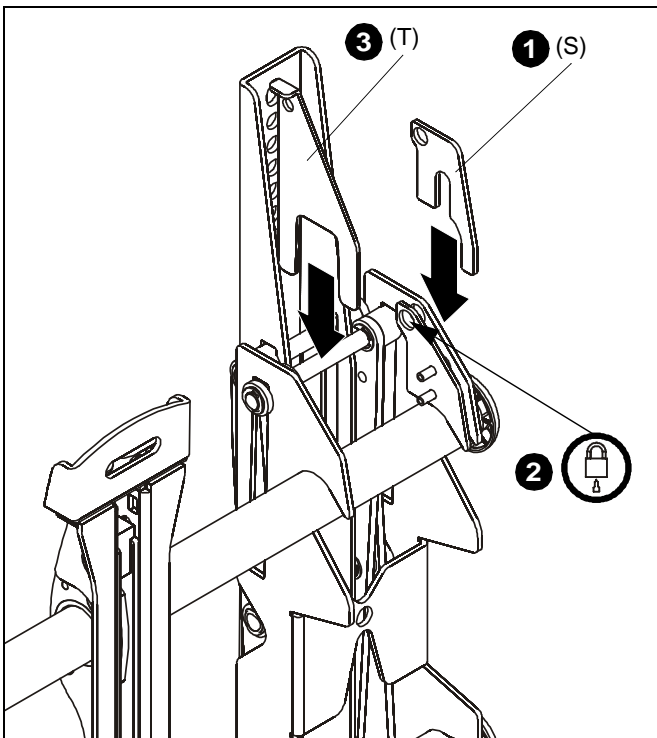


Figure 10

Locking Mount (Optional)

1. Add security bracket (S) to the mount. (See Figure 11)
2. Add padlock (not included) through holes on small security bracket (S) and mount.
3. Add hold-back bracket (T) to the mount to secure mount in recessed position. (See Figure 11)
4. Repeat Steps 1-3 for the other upright for additional security.

**Figure 11**

SONY®

8832-002065 Rev00
04/11

Sony Electronics, Inc.

1 Sony Drive
Park Ridge, NJ 07656
201-930-1000
www.sony.com/displaysystems

