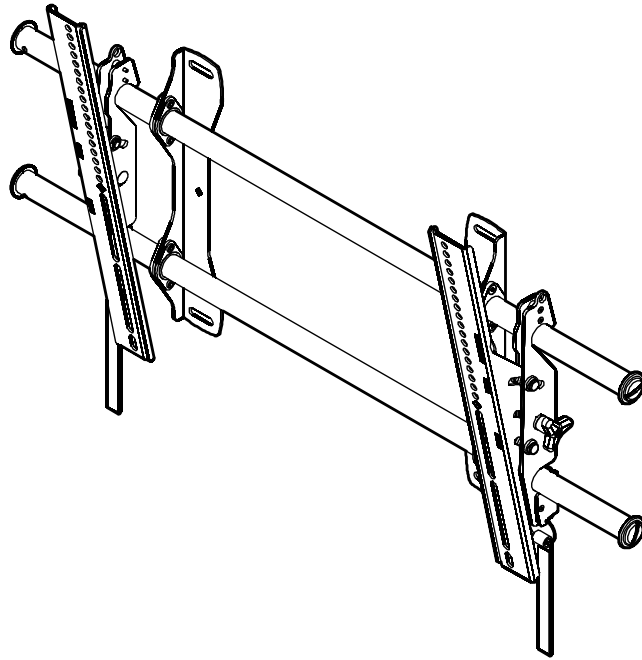

INSTALLATION INSTRUCTIONS



LARGE FLAT PANEL TILT MOUNT

SONY

CH-SLTAU

DISCLAIMER

Sony Electronics, Inc., and its affiliated corporations and subsidiaries (collectively, "Sony"), intend to make this manual accurate and complete. However, Sony makes no claim that the information contained herein covers all details, conditions or variations, nor does it provide for every possible contingency in connection with the installation or use of this product. The information contained in this document is subject to change without notice or obligation of any kind. Sony makes no representation of warranty, expressed or implied, regarding the information contained herein. Sony assumes no responsibility for accuracy, completeness or sufficiency of the information contained in this document.

! IMPORTANT WARNINGS AND CAUTIONS!

! WARNING: A WARNING alerts you to the possibility of serious injury or death if you do not follow the instructions.

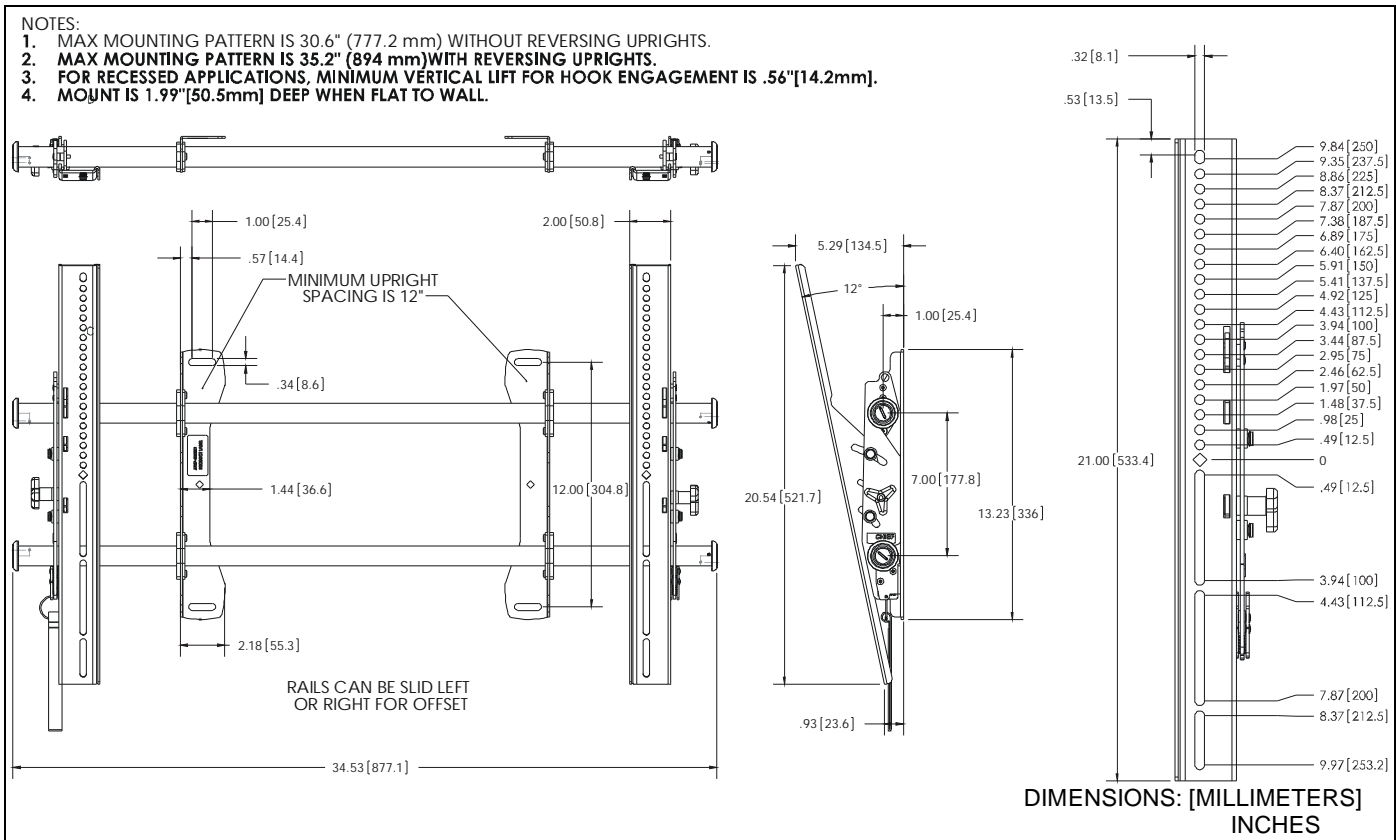
! CAUTION: A CAUTION alerts you to the possibility of damage or destruction of equipment if you do not follow the corresponding instructions.

! WARNING: Failure to read, thoroughly understand, and follow all instructions can result in serious personal injury, damage to equipment, or voiding of factory warranty! It is the installer's responsibility to make sure all components are properly assembled and installed using the instructions provided.







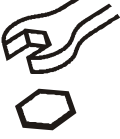





! WARNING: Failure to provide adequate structural strength for this component can result in serious personal injury or damage to equipment! It is the installer's responsibility to make sure the structure to which this component is attached can support five times the combined weight of all equipment. Reinforce the structure as required before installing the component. The wall to which the mount is being attached may have a maximum drywall thickness of 5/8" (1.6cm).

! WARNING: Exceeding the weight capacity can result in serious personal injury or damage to equipment! It is the installer's responsibility to make sure the combined weight of all components located between the CH-SLTAU up to (and including) the display does not exceed 200 lbs (90.7 kg).

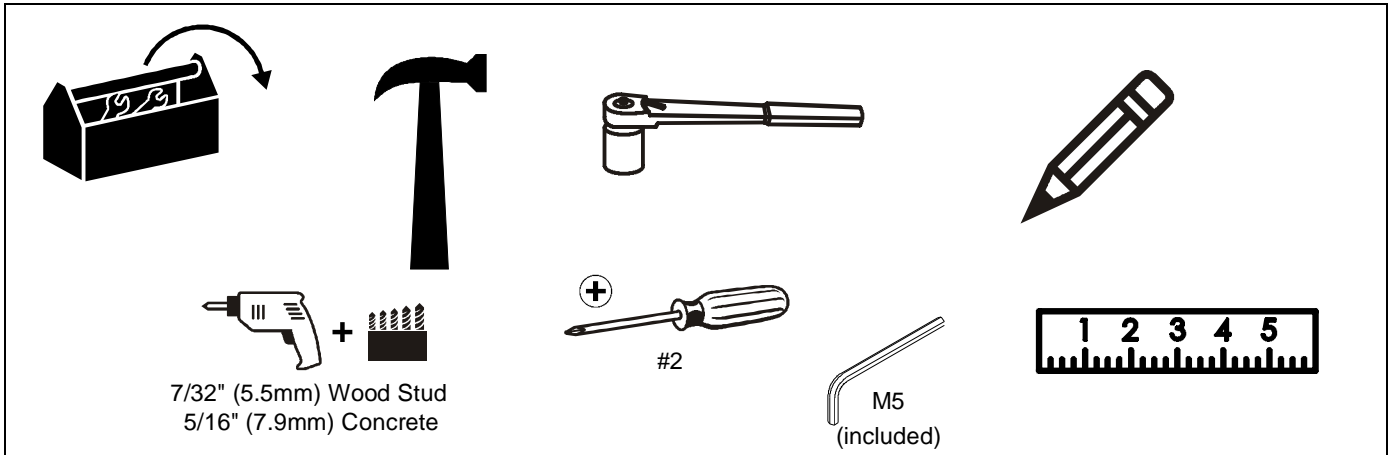
DIMENSIONS



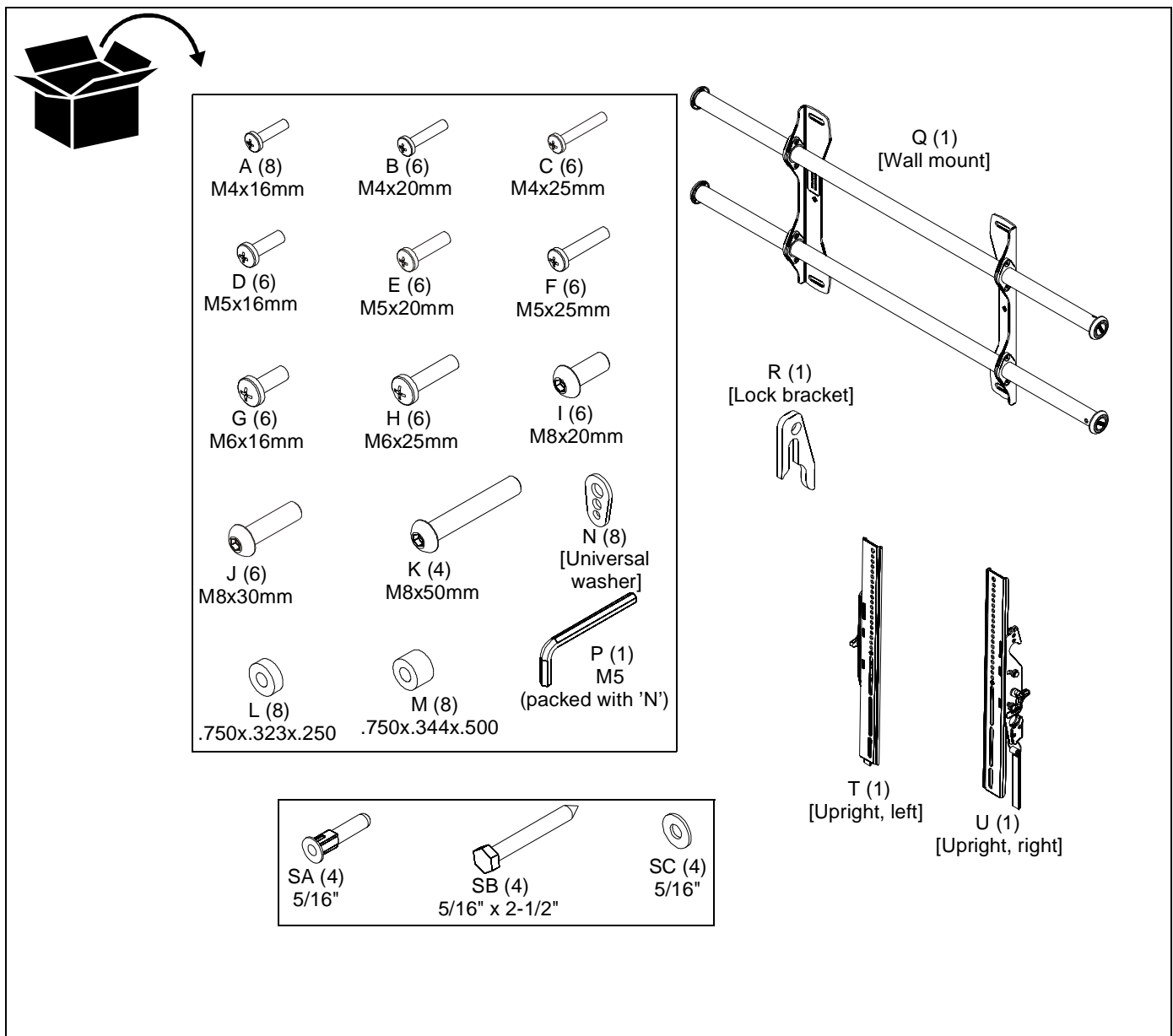
LEGEND

	<p>Tighten Fastener</p> <p>Apretar elemento de fijación</p> <p>Befestigungsteil festziehen</p> <p>Apertar fixador</p> <p>Serrare il fissaggio</p> <p>Bevestiging vastdraaien</p> <p>Serrez les fixations</p>		<p>Pencil Mark</p> <p>Marcar con lápiz</p> <p>Stiftmarkierung</p> <p>Marcar com lápis</p> <p>Segno a matita</p> <p>Potloodmerkteken</p> <p>Marquage au crayon</p>
	<p>Loosen Fastener</p> <p>Afajar elemento de fijación</p> <p>Befestigungsteil lösen</p> <p>Desapertar fixador</p> <p>Allentare il fissaggio</p> <p>Bevestiging losdraaien</p> <p>Desserrez les fixations</p>		<p>Drill Hole</p> <p>Perforar</p> <p>Bohrloch</p> <p>Fazer furo</p> <p>Praticare un foro</p> <p>Gat boren</p> <p>Percez un trou</p>
	<p>Phillips Screwdriver</p> <p>Destornillador Phillips</p> <p>Kreuzschlitzschraubendreher</p> <p>Chave de fendas Phillips</p> <p>Cacciavite a stella</p> <p>Kruiskopschroevendraaier</p> <p>Tournevis à pointe cruciforme</p>		<p>Adjust</p> <p>Ajustar</p> <p>Einstellen</p> <p>Ajustar</p> <p>Regolare</p> <p>Afstellen</p> <p>Ajuster</p>
	<p>Open-Ended Wrench</p> <p>Llave de boca</p> <p>Gabelschlüssel</p> <p>Chave de bocas</p> <p>Chiave a punte aperte</p> <p>Steeksleutel</p> <p>Clé à fourche</p>		<p>Remove</p> <p>Quitar</p> <p>Entfernen</p> <p>Remover</p> <p>Rimuovere</p> <p>Verwijderen</p> <p>Retirez</p>
	<p>By Hand</p> <p>A mano</p> <p>Von Hand</p> <p>Com a mão</p> <p>A mano</p> <p>Met de hand</p> <p>À la main</p>		<p>Optional</p> <p>Opcional</p> <p>Optional</p> <p>Opcional</p> <p>Opzionale</p> <p>Optie</p> <p>En option</p>
	<p>Hex-Head Wrench</p> <p>Llave de cabeza hexagonal</p> <p>Sechskantschlüssel</p> <p>Chave de cabeça sextavada</p> <p>Chiave esagonale</p> <p>Zeskantsleutel</p> <p>Clé à tête hexagonale</p>		<p>Security Wrench</p> <p>Llave de seguridad</p> <p>Sicherheitsschlüssel</p> <p>Chave de segurança</p> <p>Chiave di sicurezza</p> <p>Veiligheidsleutel</p> <p>Clé de sécurité</p>

TOOLS REQUIRED FOR INSTALLATION



PARTS



INSTALLATION

The CH-SLTAU has been designed to be mounted directly onto either a wood stud or concrete wall. The CH-SLTAU has uprights which allow the TV to be tilted.

Locate Mounting Site

WARNING: IMPROPER INSTALLATION CAN LEAD TO MOUNT FALLING CAUSING SEVERE PERSONAL INJURY OR DAMAGE TO EQUIPMENT! It is the installers responsibility to make certain the structure to which the mount is being attached is capable of supporting five times the weight of the CH-SLTAU and all attached equipment not to exceed 200 lbs (90.7 kg).

NOTE: Proceed to either the **Installing to a Wood Stud Wall** section or the **Installing to a Concrete Wall** section.

Installing to a Wood Stud Wall

1. Determine the center of the display, and where it should be located on the wall.
2. Locate the closest stud to the left and right of the selected location.

NOTE: If the screen area lies over a stud, use that stud and the stud to either the left or right of it.

3. Line up the diamond on mount with center of screen marking to determine vertical center. (See Figure 1)
4. Measure up 6" from the center point to mark location of the upper mounting slots.

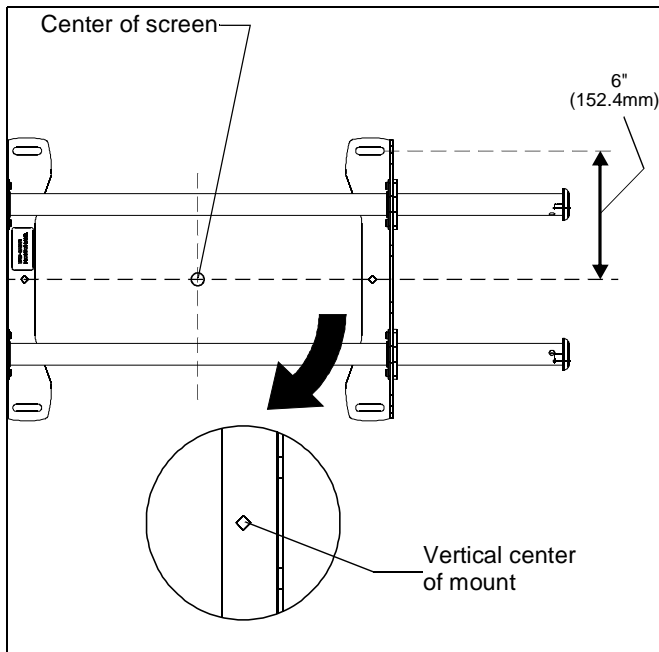


Figure 1

5. Using a level, mark the wall on each stud to attach the mount through the upper mounting slots. (See Figure 2)

WARNING: ELECTRICAL SHOCK HAZARD! CUTTING OR DRILLING INTO ELECTRICAL CORDS OR CABLES CAN CAUSE DEATH OR SERIOUS PERSONAL INJURY! ALWAYS make certain area behind mounting surface is free of electrical wires and cables before drilling or installing fasteners.

WARNING: EXPLOSION AND FIRE HAZARD! CUTTING OR DRILLING INTO GAS PLUMBING CAN CAUSE DEATH OR SERIOUS PERSONAL INJURY! ALWAYS make certain area behind mounting surface is free of gas, water, waste, or any other plumbing before cutting, drilling, or installing fasteners.

6. Drill one 7/32" (5.5mm) pilot hole in each stud.
7. Use two 5/16 x 2-1/2" lag bolts (SB) and two 5/16" flat washers (SC) to attach top of mount to wall. (See Figure 2)

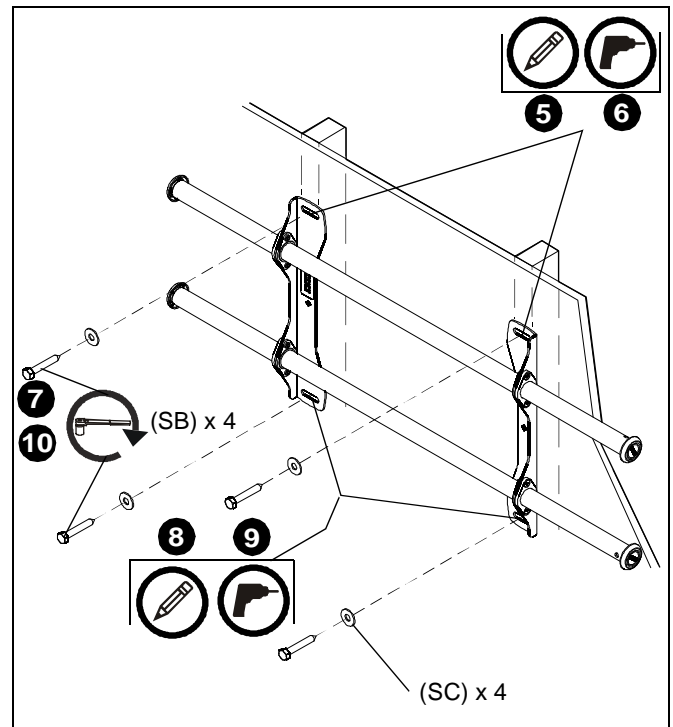


Figure 2

8. Mark the attachment points for the lower mounting slots, making sure the attachment points are located on the studs. (See Figure 2)
9. Drill 7/32" (5.5mm) pilot holes at markings for lower mounting holes. (See Figure 2)
10. Use two 5/16 x 2-1/2" lag bolts (SB) and two 5/16" flat washers (SC) to attach the mount to the wall through the lower mounting holes. (See Figure 2)
11. Slide rails to approximate center of screen location.

Installing to a Concrete Wall

1. Determine the center of the display, and where it should be located on the wall.

2. Line up the diamonds on mount with center of screen marking to determine vertical center. (See Figure 1)
3. Measure up 6" (152.4mm) from the center point to mark location of the upper mounting slots. (See Figure 1)
4. Using a level, mark the wall through both upper mounting slots. (See Figure 3)

CAUTION: MINIMUM HORIZONTAL DISTANCE BETWEEN WALL BRACKETS IS 12" (304.8mm). Do not place mounting brackets closer together than 12" (304.8mm).

WARNING: ELECTRICAL SHOCK HAZARD! CUTTING OR DRILLING INTO ELECTRICAL CORDS OR CABLES CAN CAUSE DEATH OR SERIOUS PERSONAL INJURY! ALWAYS make certain area behind mounting surface is free of electrical wires and cables before drilling or installing fasteners.

WARNING: EXPLOSION AND FIRE HAZARD! CUTTING OR DRILLING INTO GAS PLUMBING CAN CAUSE DEATH OR SERIOUS PERSONAL INJURY! ALWAYS make certain area behind mounting surface is free of gas, water, waste, or any other plumbing before cutting, drilling, or installing fasteners.

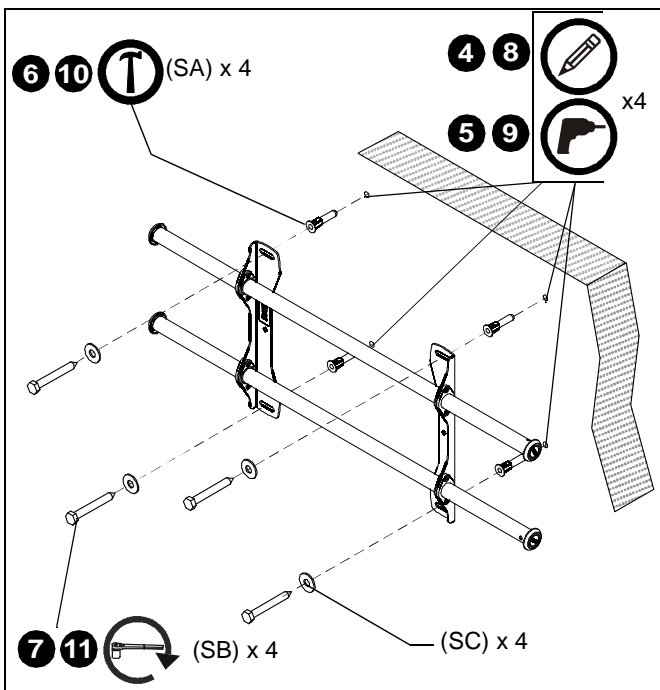


Figure 3

5. Drill one 5/16" (7.9mm) pilot hole at each marking.
6. Install an anchor (SA) into each pilot hole using a hammer.
7. Use two 5/16 x 2-1/2" lag bolts (SB) and two 5/16" flat washers (SC) to attach top of mount to anchors in wall.
8. Mark the attachment points for the lower mounting slots. (See Figure 3)

9. Drill one 5/16" (7.9mm) pilot hole at each marking for lower mounting holes. (See Figure 3)
10. Install an anchor (SA) into each pilot hole using a hammer.
11. Use two 5/16 x 2-1/2" lag bolts (SB) and two 5/16" flat washers (SC) to attach the mount to the wall through the lower mounting holes. (See Figure 3)
12. Slide rails to approximate center of screen location.

Attaching Uprights to TV

1. Align the center of the upright with center of screen. (See Figure 4)

NOTE: The diamond-shape hole in the upright corresponds to the center of the mount.

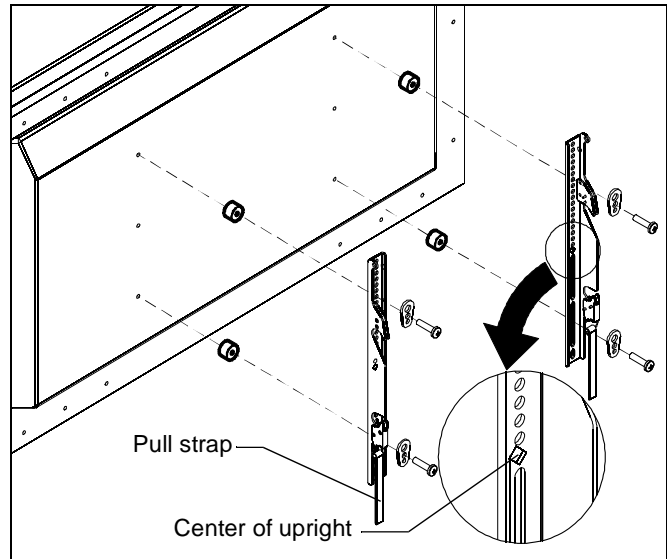


Figure 4

WARNING: IMPROPER INSTALLATION CAN LEAD TO DISPLAY FALLING CAUSING SERIOUS PERSONAL INJURY OR DAMAGE TO EQUIPMENT! Using screws of improper size may damage your display. Properly sized screws will easily and completely thread into display mounting holes. If spacers are required, be sure to use longer screws of the same diameter.

2. Select correct screws, spacers (if necessary) and universal washers from the hardware bag (A-N) and attach uprights to back of screen. (See Figure 4)

Switching Uprights (Optional)

If an installation situation makes adjusting the location of uprights necessary, there are several options.

1. The wall brackets may be adjusted side to side at the point of attachment. (See Figure 5)
2. The location of the left and right uprights may be switched, with the knobs on the CH-SLTAU uprights facing the inside of the mount. (See Figure 5)

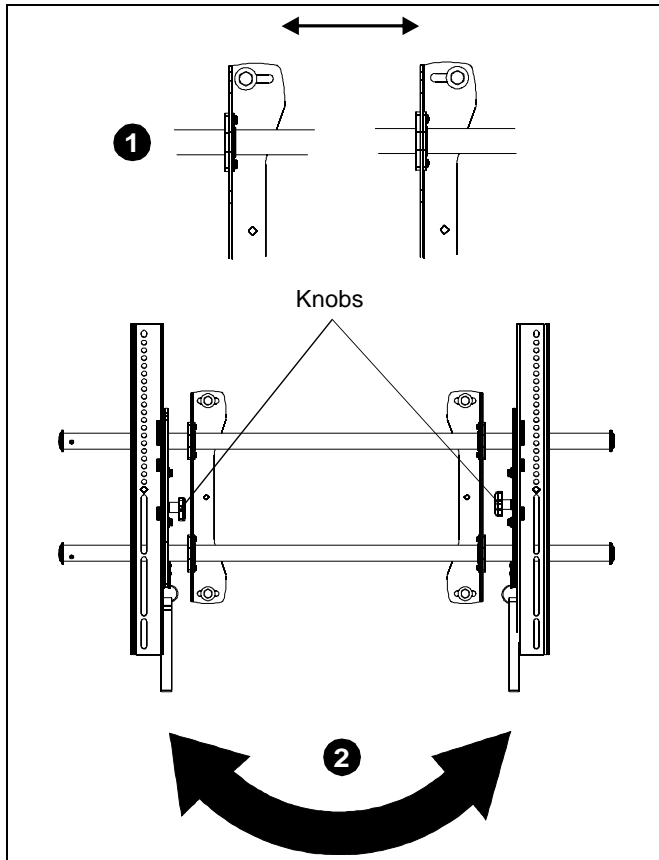


Figure 5

3. If necessary, the uprights knobs may be switched to allow the uprights to be reversed. (See Figure 6)
 - a. Remove display from mount.
 - b. Remove uprights from display.
 - c. Hold the right upright horizontally, tightly gripping it so that spacers do not move.
 - d. Remove the knob, washer and screw.
 - e. Replace the knob, washer and screw in the opposite order, with the knob on the inside of the upright.
 - f. Switch the right upright to the left side of the wall mount.
 - g. Repeat Steps 3c through 3f with the left upright.

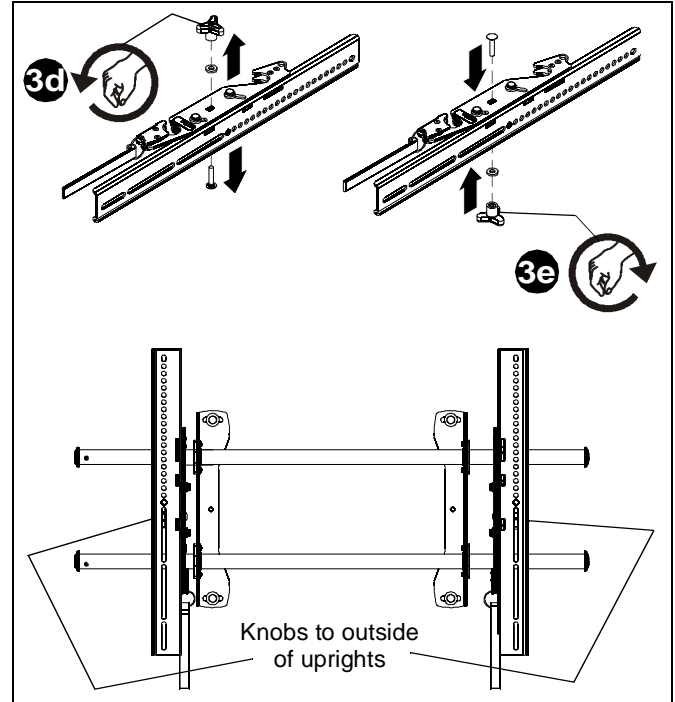


Figure 6

Attaching Screen to Wall Mount

1. Adjust Velcro® pull strap (if necessary) so it does not extend beyond bottom of screen. (See Figure 7)

NOTE: Do NOT allow both uprights to be located on same side of wall bracket. (See Figure 7)

NOTE: NEVER place both uprights to one side of the wall mount center line! (See Figure 7)

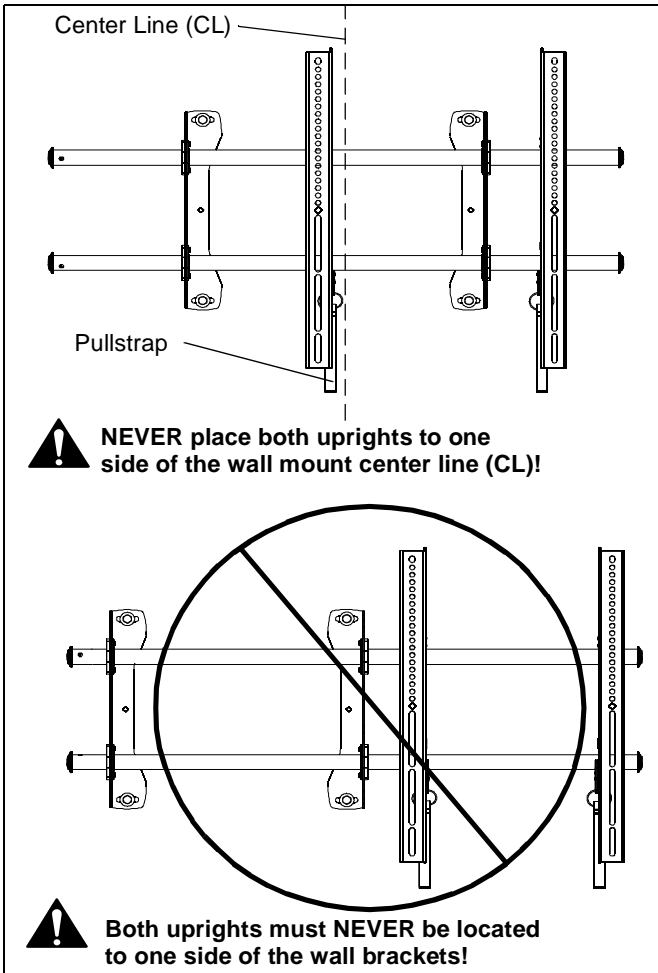


Figure 7

2. Hang top hook of uprights onto the top bar of the mount. (See Figure 8)

NOTE: The screen initially installs into the "kickstand mode" to allow easy cable access.

3. Slide screen and bars to desired viewing position.
4. Route cables between wall and bars.

⚠ CAUTION: PINCH POINTS! Keep fingers, hands and cables out of pinch point areas.

5. Pull downward on the pullstraps and swing inward toward wall, latching uprights to lower bar and locking bottom of screen to the mount. (See Figure 8)

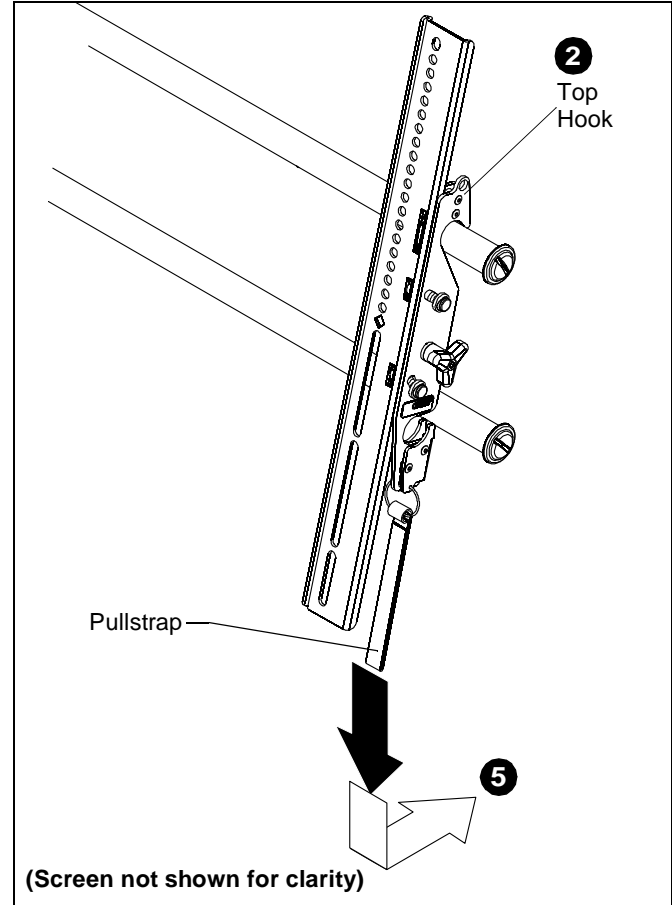


Figure 8

Locking Mount (Optional)

1. Add optional lock bracket (R) to the mount. (See Figure 9)
2. Add padlock (not included) to complete security.

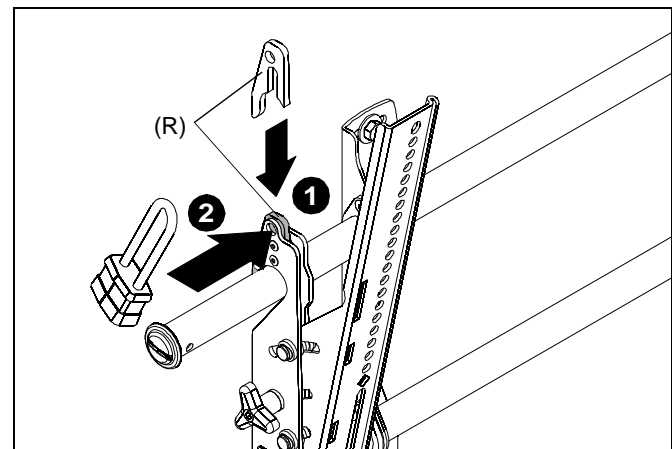


Figure 9

SONY[®]

8832-002067 Rev00
04/11

Sony Electronics, Inc.

1 Sony Drive
Park Ridge, NJ 07656
201-930-1000
www.sony.com/displaysystems

