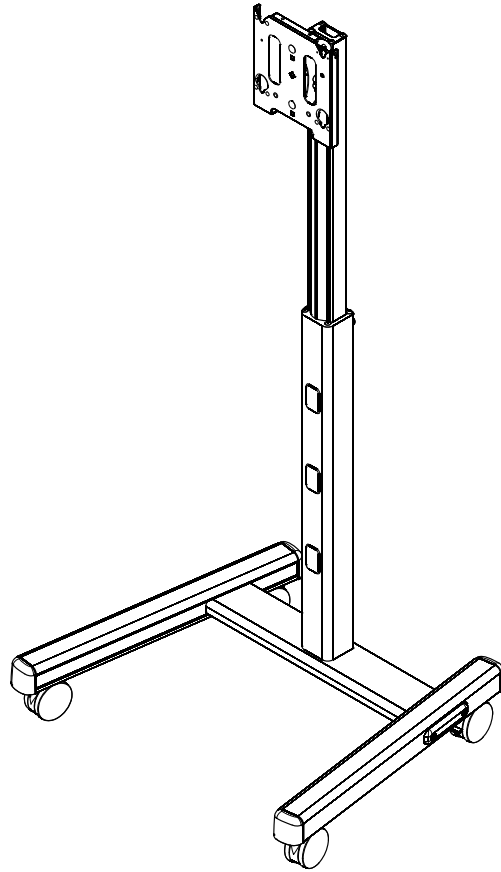


---

# INSTALLATION INSTRUCTIONS

---



---

**Display Carts**

---

---

**SONY®**

---

**CH-SMFC**

---

**DISCLAIMER**

Sony Electronics, Inc., and its affiliated corporations and subsidiaries (collectively, "Sony"), intend to make this manual accurate and complete. However, Sony makes no claim that the information contained herein covers all details, conditions or variations, nor does it provide for every possible contingency in connection with the installation or use of this product. The information contained in this document is subject to change without notice or obligation of any kind. Sony makes no representation of warranty, expressed or implied, regarding the information contained herein. Sony assumes no responsibility for accuracy, completeness or sufficiency of the information contained in this document.



**WARNING:** Failure to read, thoroughly understand, and follow all instructions can result in serious personal injury, damage to equipment, or voiding of factory warranty! It is the installer's responsibility to make sure all components are properly assembled and installed using the instructions provided.



**WARNING:** Failure to provide adequate structural strength for this component can result in serious personal injury or damage to equipment! It is the installer's responsibility to make sure the structure to which this component is attached can support five times the combined weight of all equipment. Reinforce the structure as required before installing the component.



**WARNING:** Exceeding the weight capacity can result in serious personal injury or damage to equipment! It is the installer's responsibility to make sure the combined weight of all components on the cart does not exceed 125 lbs (56.70 kg).

**IMPORTANT WARNINGS AND CAUTIONS!**

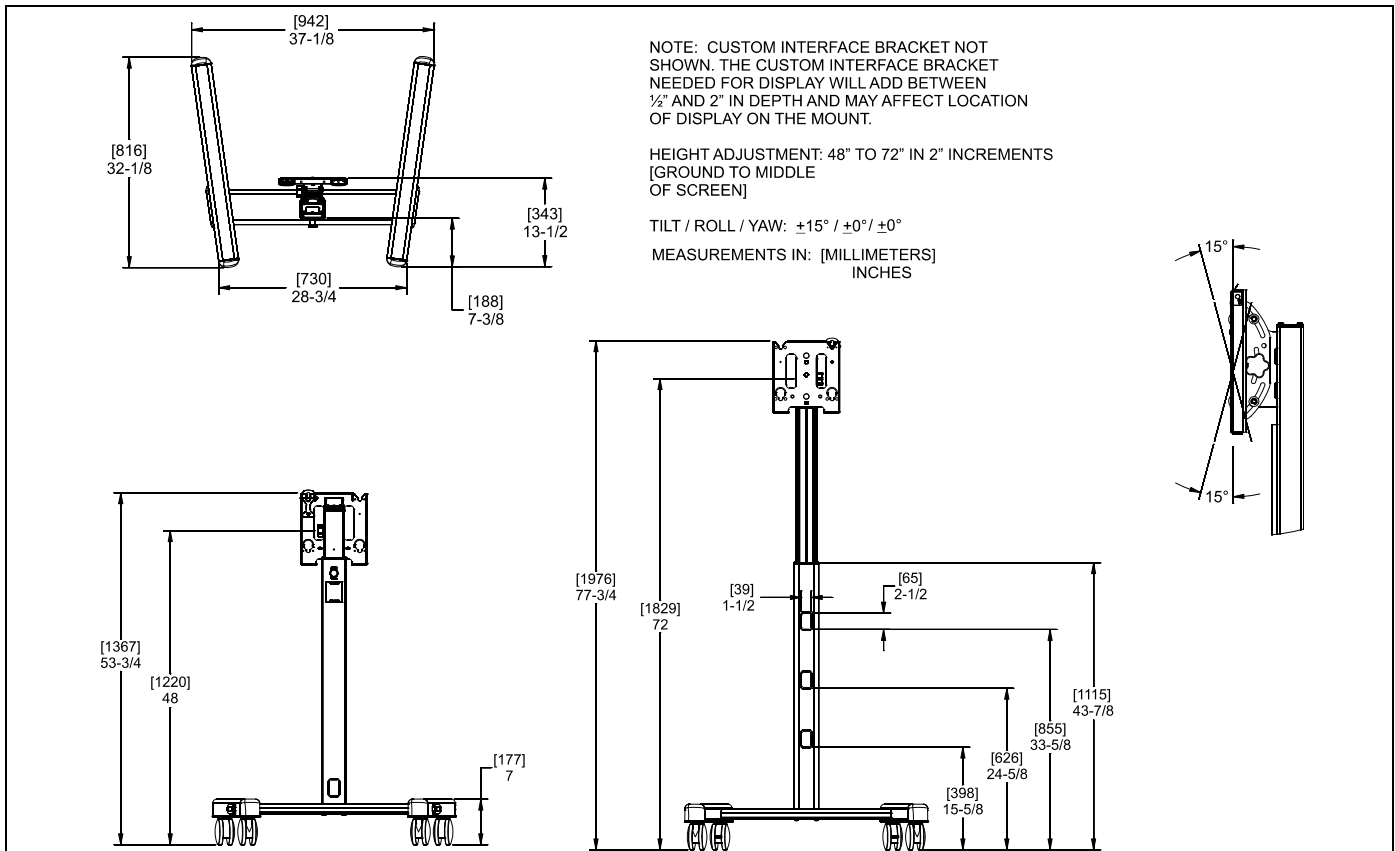


**WARNING:** A WARNING alerts you to the possibility of serious injury or death if you do not follow the instructions.

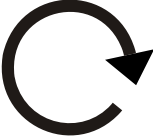



**CAUTION:** A CAUTION alerts you to the possibility of damage or destruction of equipment if you do not follow the corresponding instructions.

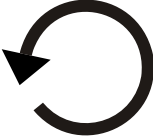
**DIMENSIONS**





**LEGEND**

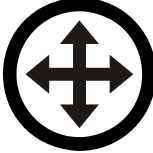
	<b>Tighten Fastener</b>
	Apretar elemento de fijación
	Befestigungsteil festziehen
	Apertar fixador
	Serrare il fissaggio
	Bevestiging vastdraaien
Serrez les fixations	


	<b>Pencil Mark</b>
	Marcar con lápiz
	Stiftmarkierung
	Marcar com lápis
	Segno a matita
	Potloodmerkteken
Marquage au crayon	


	<b>Loosen Fastener</b>
	Aflojar elemento de fijación
	Befestigungsteil lösen
	Desapertar fixador
	Allentare il fissaggio
	Bevestiging losdraaien
Desserrez les fixations	

	<b>Drill Hole</b>
	Perforar
	Bohrloch
	Fazer furo
	Praticare un foro
	Gat boren
Percez un trou	


	<b>Phillips Screwdriver</b>
	Destornillador Phillips
	Kreuzschlitzschraubendreher
	Chave de fendas Phillips
	Cacciavite a stella
	Kruiskopschroevendraaier
Tournevis à pointe cruciforme	


	<b>Adjust</b>
	Ajustar
	Einstellen
	Ajustar
	Regolare
	Afstellen
Ajuster	


	<b>Open-Ended Wrench</b>
	Llave de boca
	Gabelschlüssel
	Chave de bocas
	Chiave a punte aperte
	Steeksleutel
Clé à fourche	

	<b>Remove</b>
	Quitar
	Entfernen
	Remover
	Rimuovere
	Verwijderen
Retirez	

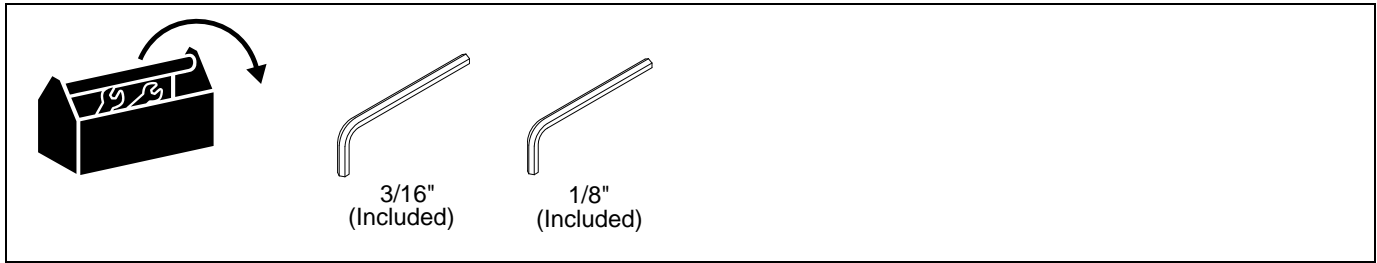
	<b>By Hand</b>
	A mano
	Von Hand
	Com a mão
	A mano
	Met de hand
À la main	

	<b>Optional</b>
	Opcional
	Optional
	Opcional
	Opzionale
	Optie
En option	

	<b>Hex-Head Wrench</b>
	Llave de cabeza hexagonal
	Sechskantschlüssel
	Chave de cabeça sextavada
	Chiave esagonale
	Zeskantsleutel
Clé à tête hexagonale	

	<b>Security Wrench</b>
	Llave de seguridad
	Sicherheitsschlüssel
	Chave de segurança
	Chiave di sicurezza
	Veiligheidssleutel
Clé de sécurité	

**TOOLS REQUIRED FOR INSTALLATION**



**PARTS**

I/M

x1

Interface  
Bracket  
Kit  
(Including Hardware)

x 1

Display Size	Sony Model #
32"	FWD-32LX2
32"	KLH-W32U
32"	KDL-32N4000
32"	KDL-32NL140
32"	KDL-32M4000
37"	KDL-37N4000
37"	KDL-37NL140
37"	KDL-37M4000
40"	KLH-40X1
40"	FWD-40LX2
40"	FWD-40PX2
40"	KDL-40SL140
42"	FWD-42PV1
42"	FWD-42PX2
42"	FHD-S42H1
46"	KDL-46SL140
47"	FHD-S47H1
50"	FWD-50PX1
50"	FWD-50PX2
50"	FWD-50PX3

- The display models listed are compatible with the CH-SMFC cart.

**IMPROPER INSTALLATION CAN LEAD TO DISPLAY FALLING CAUSING SERIOUS PERSONAL INJURY OR DAMAGE TO EQUIPMENT! Using screws of improper size may damage your display! Properly sized screws will easily and completely thread into display mounting holes. If spacers are required, be sure to use longer screws of the same diameter.**

**ASSEMBLY**



**CAUTION:** Attachment holes may be damaged if a power drill is used to insert button head cap screws. Screws should first be inserted and turned **BY HAND** with the hex key or with a handheld screwdriver **BEFORE** using the hex head drill bit and power drill to complete the attachment.

**Assembling Cart**

1. Assemble two legs (A) and (B) to the cart cross bracket (F) using two 5/16-18x4-1/4" button head cap screws (M) per leg. (See Figure 1)

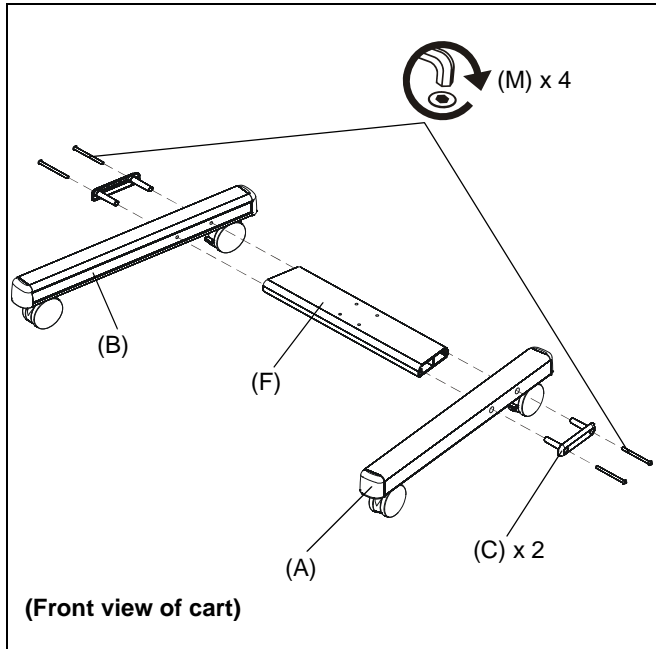


Figure 1



**CAUTION:** Attachment holes may be damaged if a power drill is used to insert button head cap screws. Screws should first be inserted and turned **BY HAND** with the hex key or with a handheld screwdriver **BEFORE** using the hex head drill bit (H) and power drill to complete the attachment.

**NOTE:** Insert and turn screws in order shown (1, 2, 3, 4) in Figure 2.

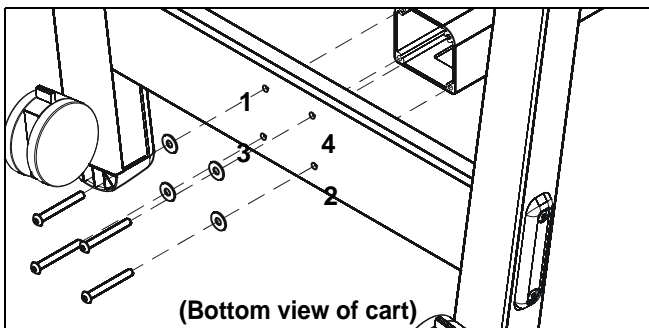


Figure 2

2. Attach center post (E) to leg assembly using four 5/16-18 x 2-3/4" button head cap screws (L) and four 5/16" washers (N). (See Figures 2 and 3)

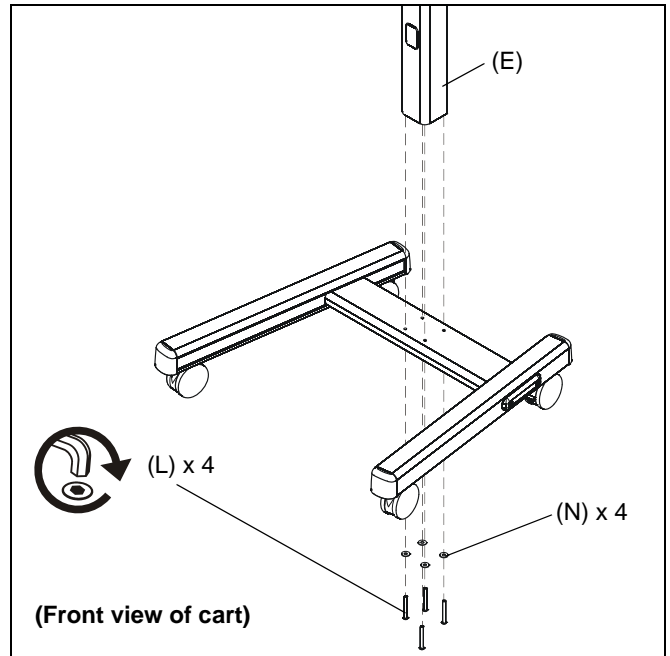


Figure 3

3. Attach head assembly (G) to the cart assembly using four 5/16-18 x 3/4" button head cap screws (K). (See Figure 4)

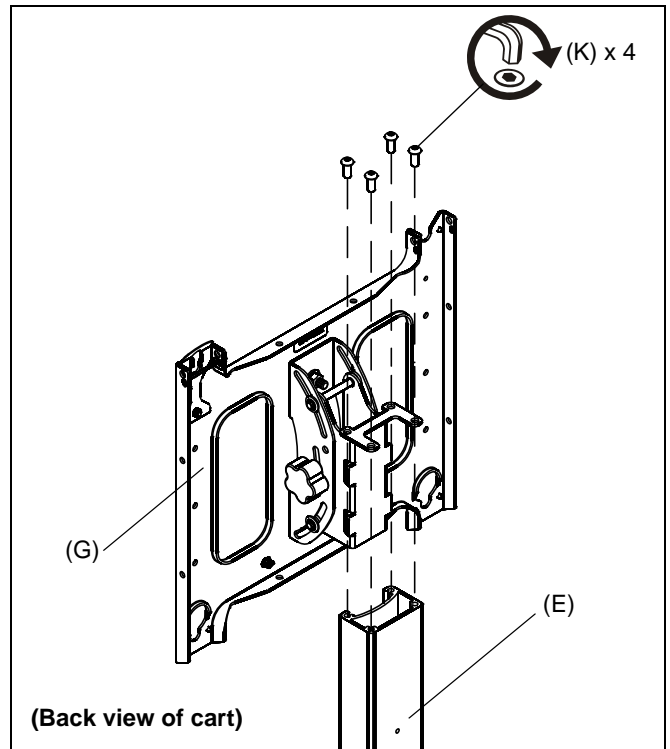
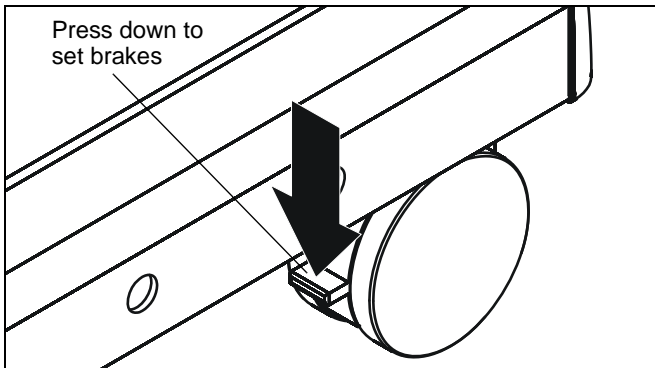


Figure 4

**Attaching Display to Cart**

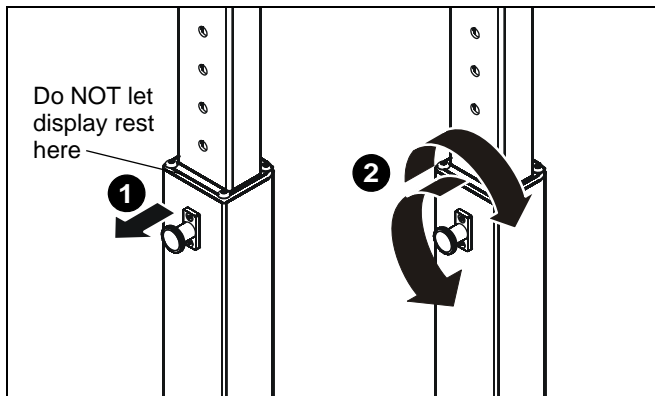
**WARNING:** EXCEEDING MAXIMUM WEIGHT CAPACITY MAY LEAD TO SERIOUS PERSONAL INJURY OR DAMAGE TO EQUIPMENT! It is the installer's responsibility to ensure the total amount of weight placed on the cart does not exceed 125 lbs (56.70 kg).

**CAUTION:** Before attaching display to cart set the brakes on the back wheels by pressing down on the tab. (See Figure 5)



**Figure 5**

1. Adjust the cart to the desired height by holding the top part of the post, pulling out knob on the center post and turning 90° in either direction to disengage the locking mechanism.
2. Raise or lower the center post, then turn the knob 90° either direction to engage the knob and lock the cart at desired height. (See Figure 6)



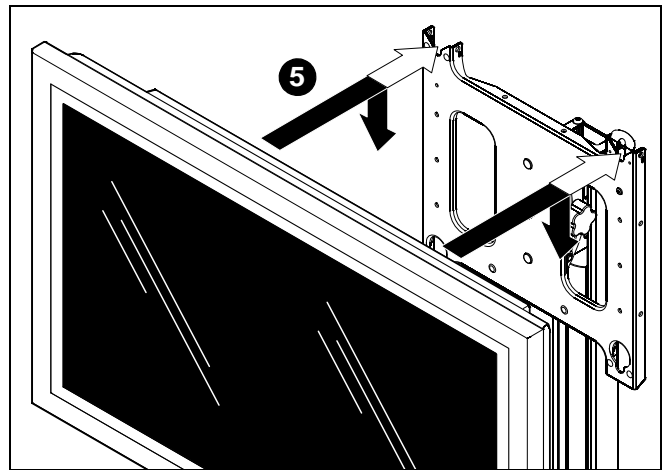
**Figure 6**

**IMPORTANT ! :** Set the height of the cart so the display does NOT rest on the lower part of the center post. (See Figure 6.) Always set the height so the knob is engaged in a hole in the center post.

3. Attach CH-SINTBR interface bracket to the display following the instructions included with the bracket.

**CAUTION:** IMPROPER INSTALLATION CAN LEAD TO DISPLAY FALLING CAUSING SERIOUS PERSONAL INJURY OR DAMAGE TO EQUIPMENT! Using screws of improper size may damage your display! Properly sized screws will easily and completely thread into display mounting holes. If spacers are required, be sure to use longer screws of the same diameter.

4. While supporting both sides of display, align four mounting buttons on display or interface bracket with four mounting holes in head assembly. (See Figures 7 and 8)



**Figure 7**

**WARNING:** DISPLAY MAY WEIGH IN EXCESS OF 40 LBS! Always use two people and proper lifting techniques when installing or positioning display on cart.

5. Lower display into place listening for audible "click" to ensure recessed area of mounting buttons are properly seated in lower area of mounting holes. (See Figures 7 & 8)

**WARNING:** IMPROPER INSTALLATION CAN LEAD TO CART OR DISPLAY FALLING CAUSING SERIOUS PERSONAL INJURY OR DAMAGE TO EQUIPMENT! Ensure mounting buttons are completely engaged in mounting holes.

**NOTE:** Holes are provided in the faceplate for use with a padlock or similar locking device, if desired. In addition, the pin and nut may be removed from the upper holes and moved to the lower holes for use as a more permanent locking device. (See Figure 8)

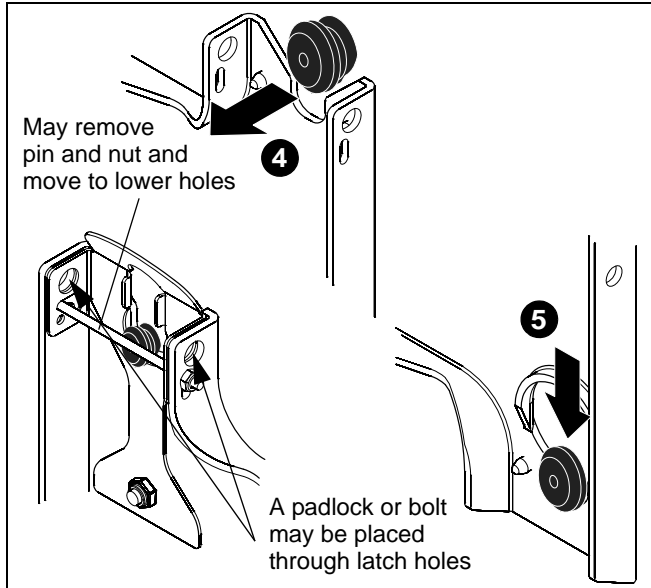


Figure 8

**Tilting Display**

The display can be tilted up to 15° either backward or forward from a straight upright position.

1. Turn knob counterclockwise on back of head assembly to loosen the tilt. (See Figure 9)

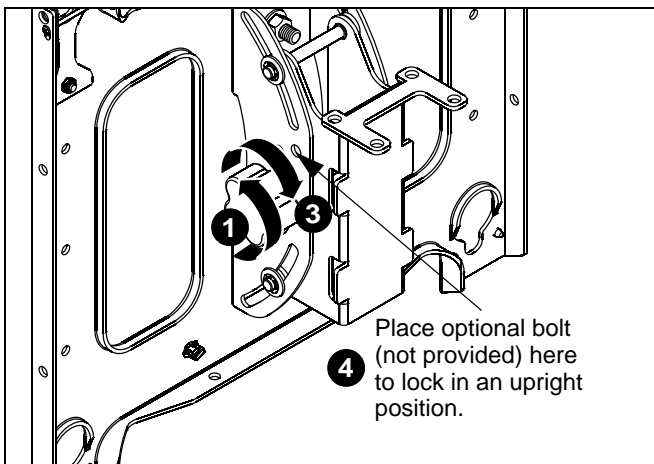


Figure 9

2. Tilt display as desired, to a maximum of 15° either forward or backward.
3. Turn knob clockwise to tighten display on head assembly. (See Figure 9)



**CAUTION:** Tighten knob on back of head assembly to prevent damage when moving the cart and display.

4. If leaving the display in a straight upright position, it is recommended that a bolt (not provided) be placed through the head assembly (see Figure 9) to lock the display into the upright position.

**Cable Management**

1. Signal cables can be run down the front flap of the center post and out the front of the post at any of the openings. (See Figure 10)
2. The display power cord can be run through the top and down through the post to exit out the back. (See Figure 10)
3. Any accessory power cords can be run through the front and down through the post to exit out the back. (See Figure 10)
4. Install the snap-on covers (D) to any opening that is not being used. (See Figure 10)
5. To remove the snap-on covers, grip the sides of the cover in the middle and pull off. They can also be removed by inserting a flat-blade screwdriver into the bottom slot and rotating the screwdriver.

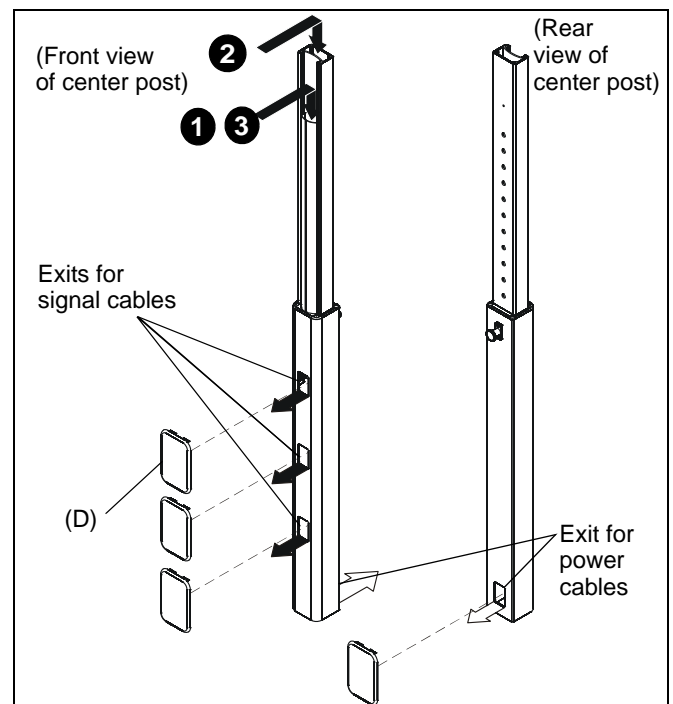


Figure 10

**Cart Use and Maintenance**



**CAUTION:** This cart is intended for use only with the maximum weight indicated (125 lbs [56.70 kg]). Use with other products or products heavier than the maximum weights indicated may result in instability causing possible injury.



**WARNING:** CART CAN TIP OVER RESULTING IN RISK OF INJURY. Do not allow children under 16 to move cart. Only adults should move this cart. Move cart slowly. Apply moving force on narrow dimension. Never apply force at top - always push near middle. Push, don't pull.

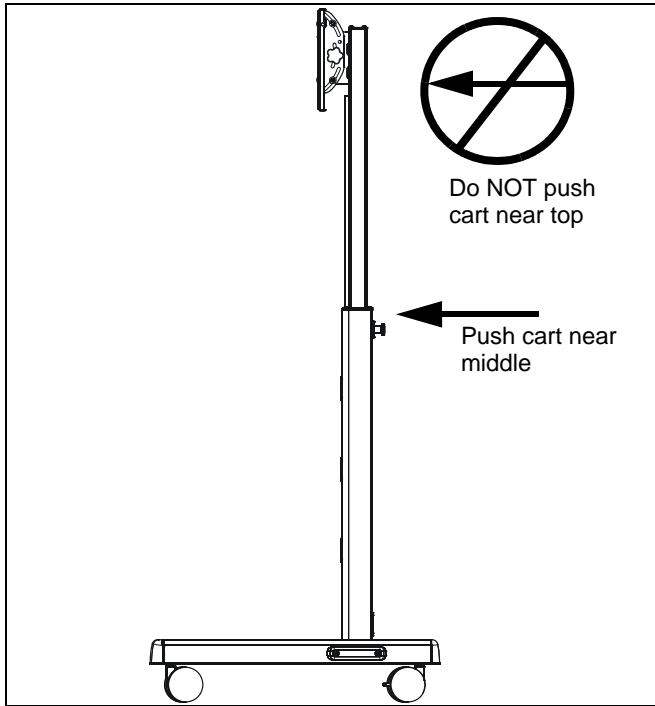


Figure 11

1. Always place cart on level surface.
2. Always lock the wheels when the cart is not moving.
3. Check and tighten the hex nuts on the casters occasionally. (See Figure 12) These should be checked especially after use on uneven ground.

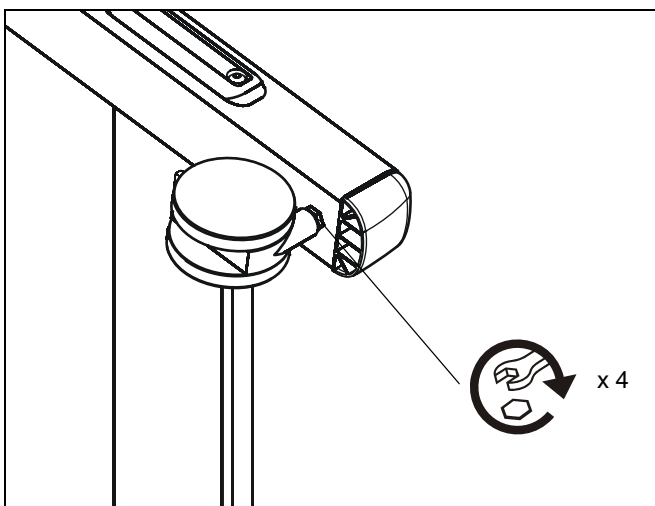


Figure 12

**Removing Display from Cart**

1. Remove bolt or padlock from faceplate (if used). (See Figure 13)

**NOTE:** The pin may have been used as a more permanent locking device. If so, remove nut and pin and move from the lower holes to the upper holes.

2. Pull back on flag on upper mounting hole and press pin down into "Open" position. (See Figure 13)



**WARNING:** EACH DISPLAY MAY WEIGH IN EXCESS OF 40 LBS! Always use two people and proper lifting techniques when installing or positioning display on stand.

3. Carefully lift display from cart.
4. Lift up on pin and place flag back against faceplate to return it to "Closed" position. (See Figure 13)

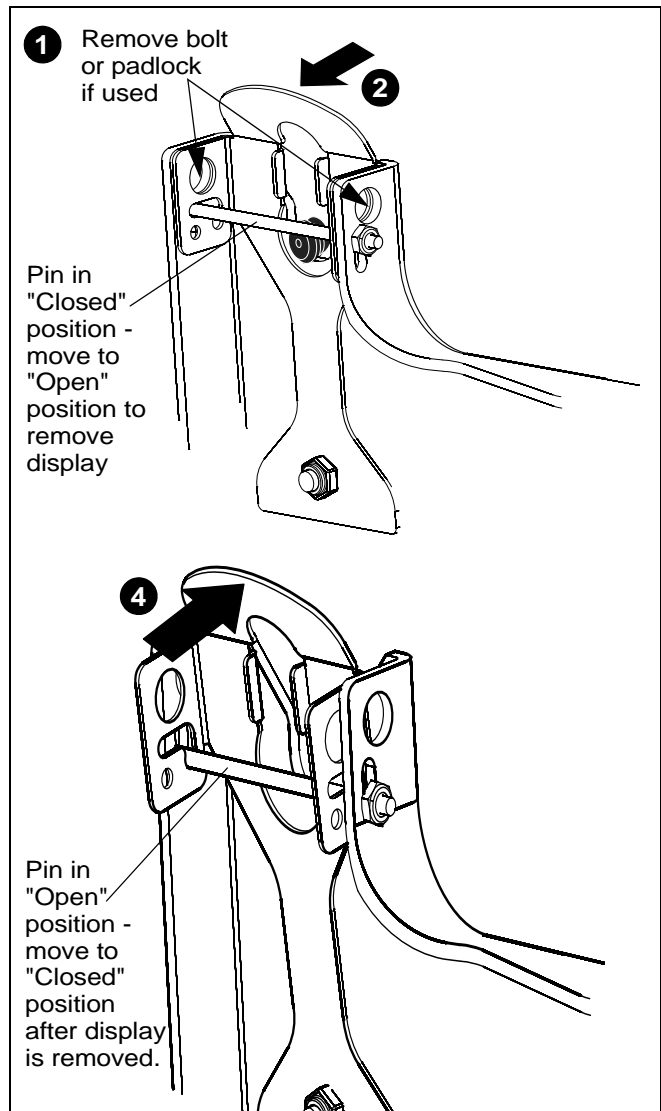


Figure 13









**SONY**<sup>®</sup>

8832-000260 Rev 01  
05/09

**Sony Electronics Inc.**

1 Sony Drive  
Park Ridge, NJ 07656  
201-930-1000  
[www.sony.com/displaysystems](http://www.sony.com/displaysystems)

