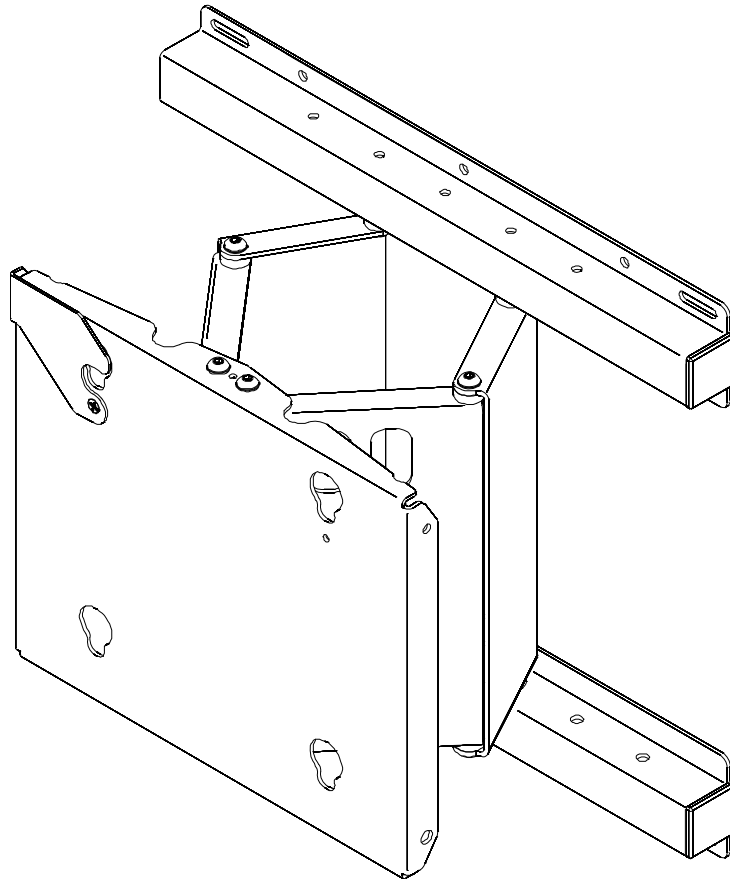

INSTALLATION INSTRUCTIONS



Medium Flat Panel Wall Mount

SONY®

CH-SMPW

DISCLAIMER

Sony Electronics, Inc., and its affiliated corporations and subsidiaries (collectively, "Sony"), intend to make this manual accurate and complete. However, Sony makes no claim that the information contained herein covers all details, conditions or variations, nor does it provide for every possible contingency in connection with the installation or use of this product. The information contained in this document is subject to change without notice or obligation of any kind. Sony makes no representation of warranty, expressed or implied, regarding the information contained herein. Sony assumes no responsibility for accuracy, completeness or sufficiency of the information contained in this document.

! IMPORTANT WARNINGS AND CAUTIONS!

! WARNING: A WARNING alerts you to the possibility of serious injury or death if you do not follow the instructions.

! CAUTION: A CAUTION alerts you to the possibility of damage or destruction of equipment if you do not follow the corresponding instructions.

! WARNING: Failure to read, thoroughly understand, and follow all instructions can result in serious personal injury, damage to equipment, or voiding of factory warranty! It is the installer's responsibility to make sure all components are properly assembled and installed using the instructions provided.

! WARNING: Failure to provide adequate structural strength for the installation of this kit can result in serious personal injury or damage to equipment! It is the installer's responsibility to make sure the structure to which this mount is attached can support five times the combined weight of all equipment.

! WARNING: Exceeding the weight capacity can result in serious personal injury or damage to equipment! It is the installer's responsibility to make sure the combined weight of all components attached to this mount does not exceed 125 lbs (56.7 kg).

LEGEND

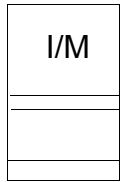
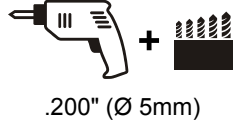
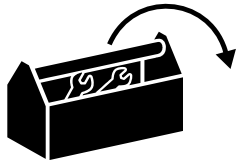
	Tighten Fastener
	Apretar elemento de fijación
	Befestigungsteil festziehen
	Apertar fixador
	Serrare il fissaggio
	Bevestiging vastdraaien
	Serrez les fixations
	Сожмите Застежку

	Loosen Fastener
	Aflojar elemento de fijación
	Befestigungsteil lösen
	Desapertar fixador
	Allentare il fissaggio
	Bevestiging losdraaien
	Desserrez les fixations
	Ослабьте Застежку

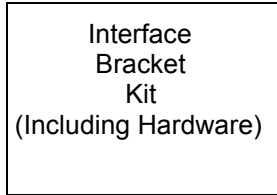
	Adjust
	Ajustar
	Einstellen
	Ajustar
	Regolare
	Afstellen
	Ajuster
	Приспособьтесь

	Hex-Head Wrench
	Llave de cabeza hexagonal
	Sechskantschlüssel
	Chave de cabeça sextavada
	Chiave esagonale
	Zeskantsleutel
	Clé à tête hexagonale
	Главный ведемой Рывок

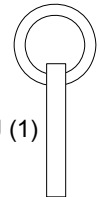
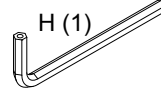
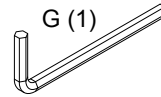
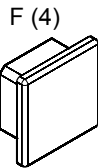
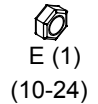
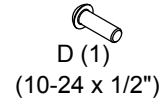
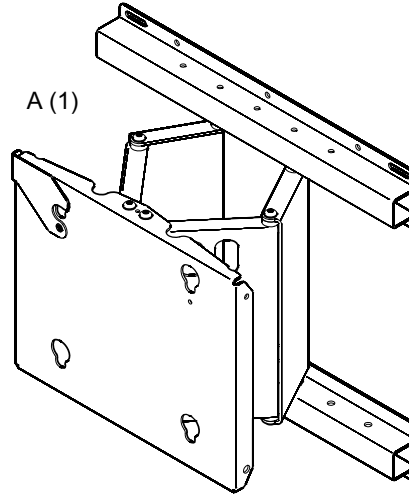
TOOLS REQUIRED FOR INSTALLATION AND PARTS



x1



x 1



Display Size	Sony Model #
32"	FWD-32LX2
32"	KLH-W32U
32"	KDL-32N4000
32"	KDL-32NL140
32"	KDL-32M4000
37"	KDL-37N4000
37"	KDL-37NL140
37"	KDL-37M4000
40"	KLH-40X1
40"	FWD-40LX2
40"	FWD-40PX2
40"	KDL-40SL140
42"	FWD-42PV1
42"	FWD-42PX2
42"	FHD-S42H1
46"	KDL-46SL140
47"	FHD-S47H1
50"	FWD-50PX1
50"	FWD-50PX2
50"	FWD-50PX3

- The display models on this list are compatible with the CH-SMPW.

IMPROPER INSTALLATION CAN LEAD TO DISPLAY FALLING CAUSING SERIOUS PERSONAL INJURY OR DAMAGE TO EQUIPMENT! Using screws of improper size may damage your display! Properly sized screws will easily and completely thread into display mounting holes. If spacers are required, be sure to use longer screws of the same diameter.

DIMENSIONS

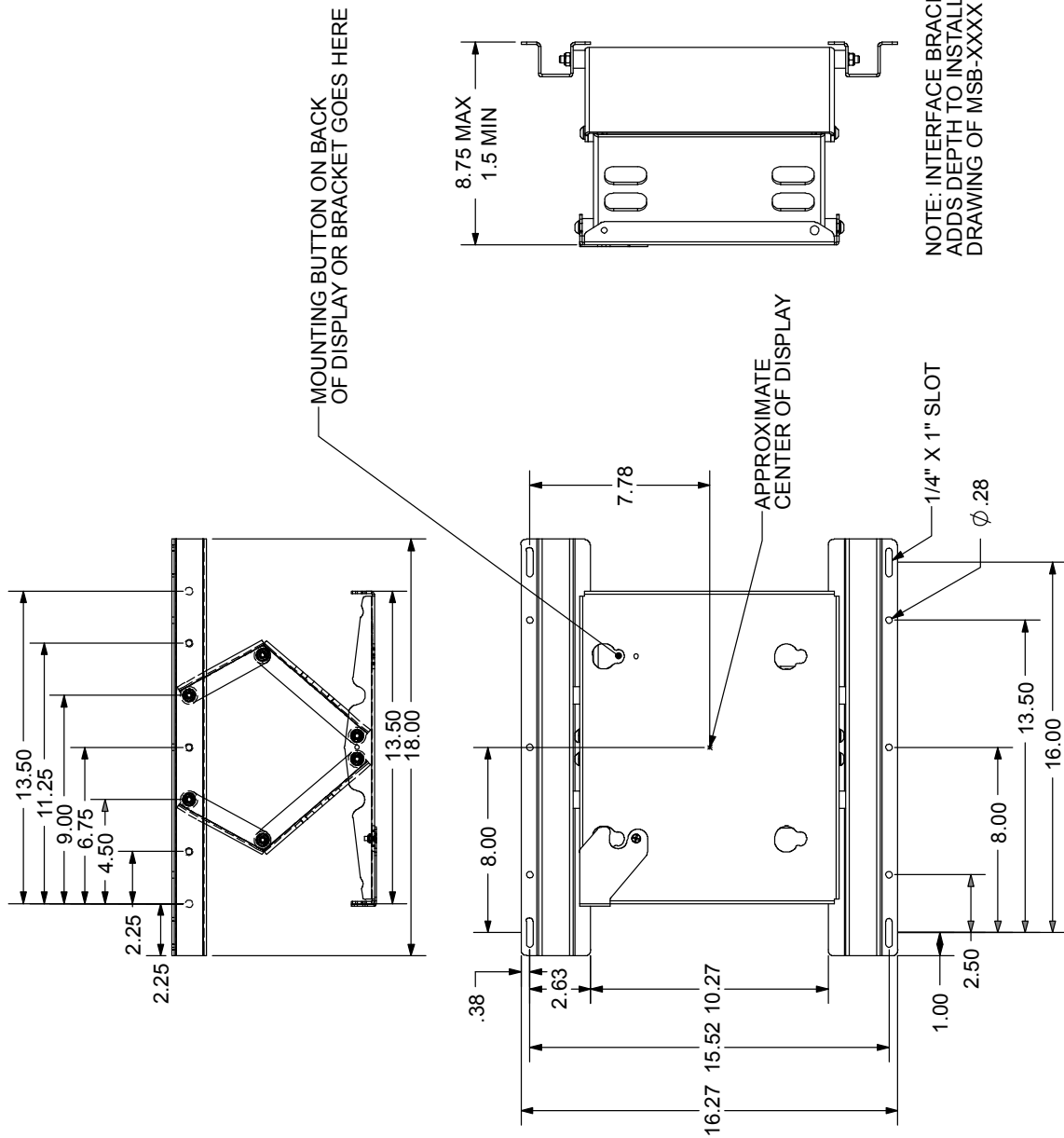


Figure 1



WARNING: IMPROPER INSTALLATION CAN LEAD TO MOUNT FALLING CAUSING SERIOUS PERSONAL INJURY OR DAMAGE TO EQUIPMENT! It is the installer's responsibility to make sure the structure to which the mount is being installed is capable of supporting five times the combined weight of the mount and all attachments.

MOUNT ASSEMBLY

To attach the wall plate end caps:

1. Slide one end cap (F) into each end of upper and lower wall plates ON MOUNT (A). (See Figure 2)

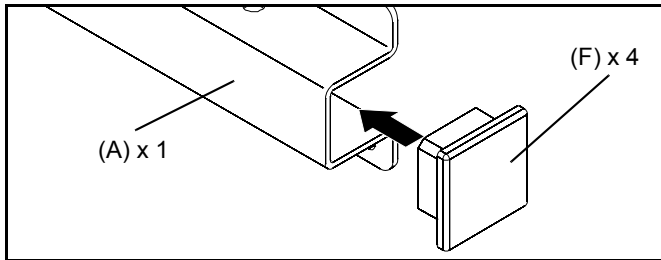


Figure 2

To attach the cable management clips:

1. Pull mount face plate outward until access to rear of face plate can be achieved.
2. Install two cable management clips (B) into each side of mount faceplate. (See Figure 3)

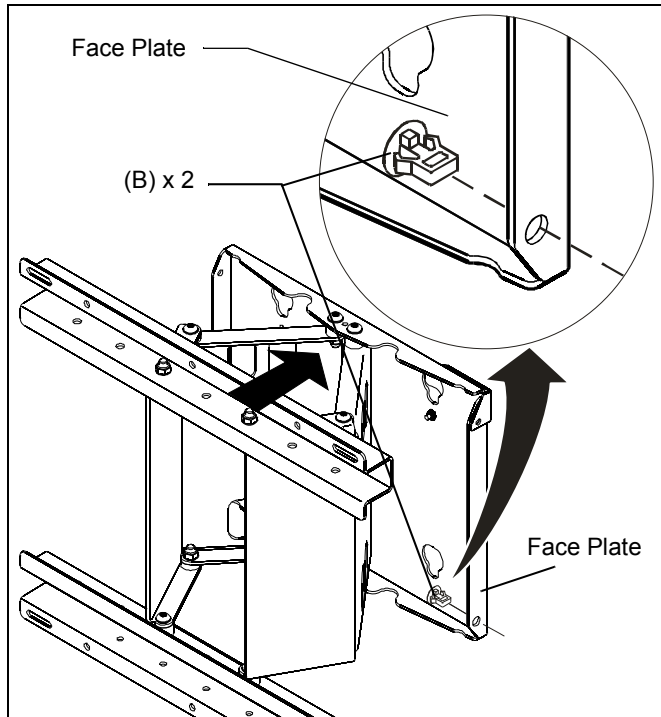


Figure 3

MOUNT INSTALLATION



WARNING: The installer is responsible for verifying that the structure to which the mount is anchored will safely support five times the combined load of the mount and all attached components.

To install mount:

1. Identify appropriate mounting location.
2. Locate studs.

NOTE: The MSP-CHSMPW is designed to be mounted on 16" on center wood studs.

3. Place mount assembly (A) against wall, level mount, and mark four pilot hole locations (See Figure 4).
4. Drill four pilot holes at marked locations. (See Figure 4).

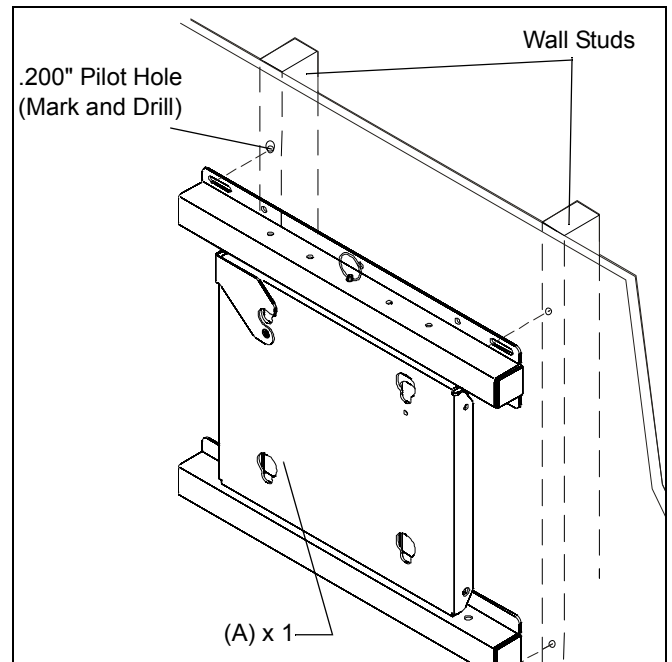


Figure 4

5. Place mount assembly (A) against wall and align mounting holes in mount assembly with pilot holes (See Figure 5).
6. Secure mount (A) to wall studs using four wood screws, and four flat washers.

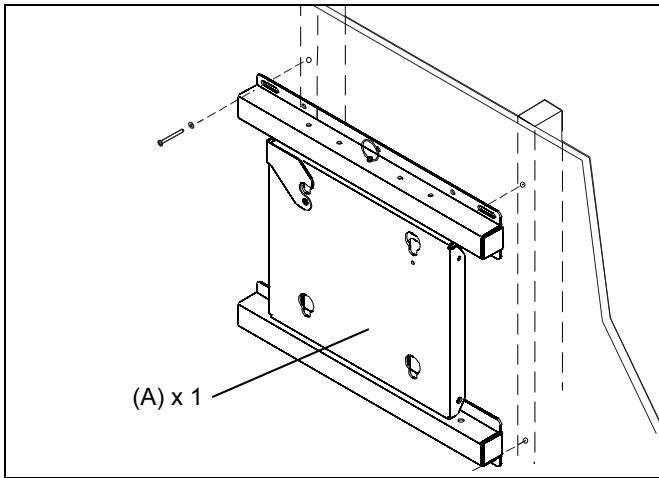


Figure 5

INSTALL DISPLAY

1. Install CH-SINTBR interface bracket following the installation instructions included with the bracket.

WARNING: IMPROPER INSTALLATION CAN LEAD TO MOUNT FALLING CAUSING SEVERE PERSONAL INJURY OR DAMAGE TO EQUIPMENT. Displays can weigh in excess of 40 lbs (18.1kg). ALWAYS use two people and proper lifting techniques when installing display.

2. Lower latching flag. (See Figure 7)
3. Move mount faceplate to extended position by grasping faceplate and pulling outward away from wall. (See Figure 6)

CAUTION: Keep hands and fingers away from all pinch points when moving the mount from retracted to extended position.

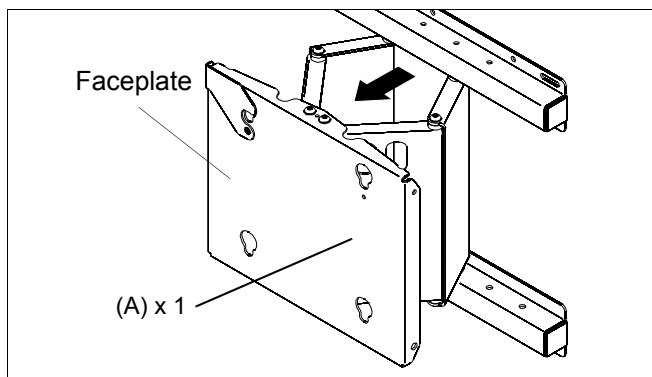


Figure 6

4. Align mounting buttons on display with teardrop mounting holes in mount faceplate (See Figure 7).
5. Move display forward until all four mounting buttons are through teardrop mounting holes in faceplate, and recessed area of mounting buttons is aligned with the lower area of teardrop mounting holes in faceplate.
6. Lower display until the recessed area of all four mounting buttons is seated in the lower area of teardrop mounting holes in faceplate. (See Figure 7)
7. Move latching flag to the UP position to secure display to

mount assembly.

NOTE: If desired, install optional security screw and locknut provided. The display can also be locked in the retracted position by installing the optional locking pin provided. (See Figure 8)

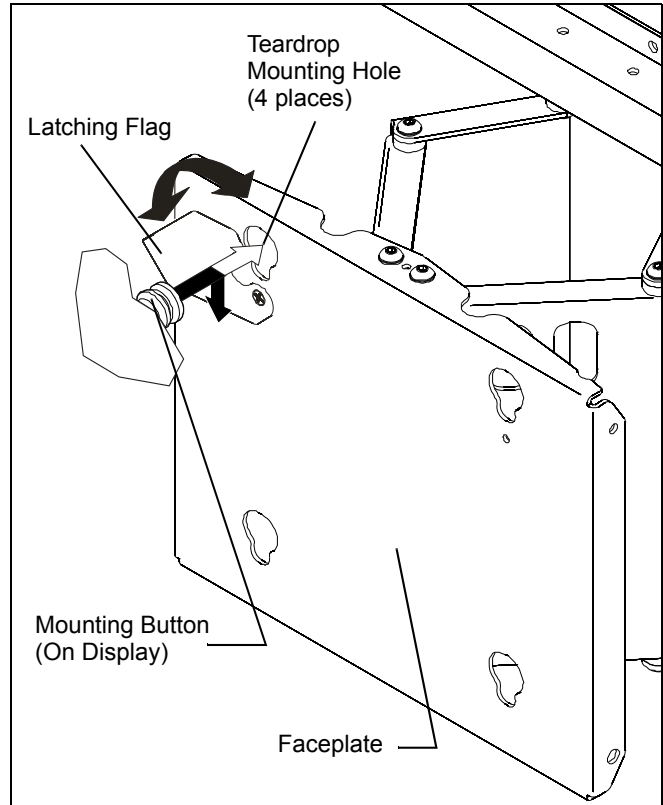


Figure 7

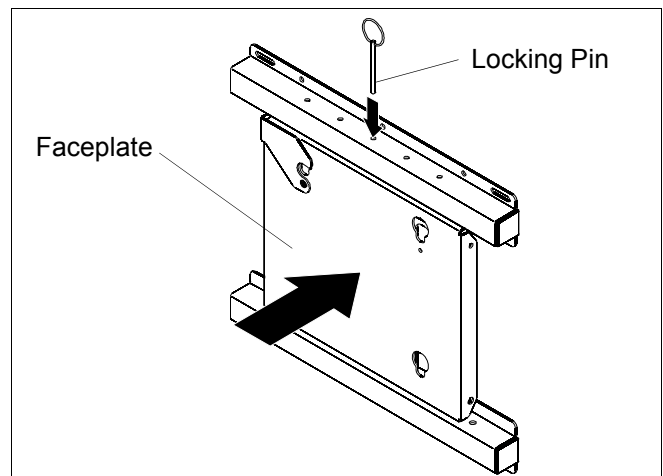


Figure 8

FELT PAD INSTALLATION

Felt pads (C) are provided to protect the display from contact with the mount.

To install protective felt pads:

1. Move display to fully extended position.



WARNING: Keep hands and fingers away from all pinch points when moving the mounted display from the retracted to the extended position.

2. Slowly rotate display to "fully right" position and identify the area of contact between the display and cabinet.
3. Remove adhesive back from felt pad (C) and place pad onto display at identified point of contact.
4. Slowly rotate display to "fully left" position and identify the area of contact between the display and cabinet.
5. Remove adhesive back from felt pad (C) and place pad onto display at identified point of contact.

ADJUSTMENTS

The mount is shipped with pre-set tension for swing arm movement. After extended use mount tension may need to be adjusted.

There are a total of 12 tension adjustment points on the mount (See Figure 9). Six on mount top, and six on mount bottom. Points 1 through 6 control mount extension and retraction tension. Points 1 and 6 control mount right left swing tension, and points 3 and 4 control display left right rotation tension.

NOTE: It is important that corresponding points are adjusted equally. **Example:** 1 and 6, 2 and 5, 3 and 4, and their corresponding adjustment points on mount bottom (See Figure 9).

To adjust mount tension:

1. Determine which aspect of mount movement needs to be adjusted and locate appropriate adjustment screws.
2. Using the hex wrench provided, tighten or loosen adjustment screws until desired tension is achieved (See Figure 9).

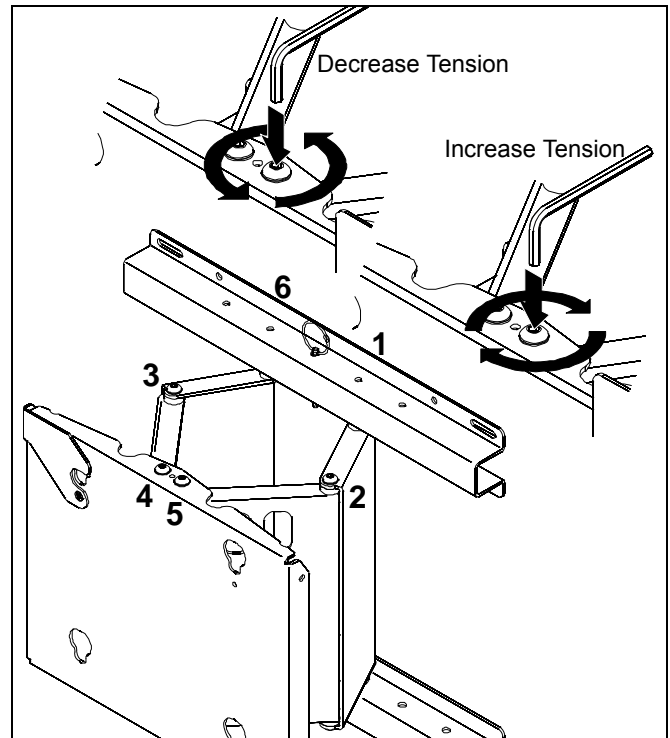


Figure 9

CABLE MANAGEMENT

Cable management clips, for use with "zip-ties" or similar devices, are provided for cable routing.

To use cable management clips:

1. Zip tie cable to cable clip (B). (See Figure 10)
2. Route cables down and under mount to display.

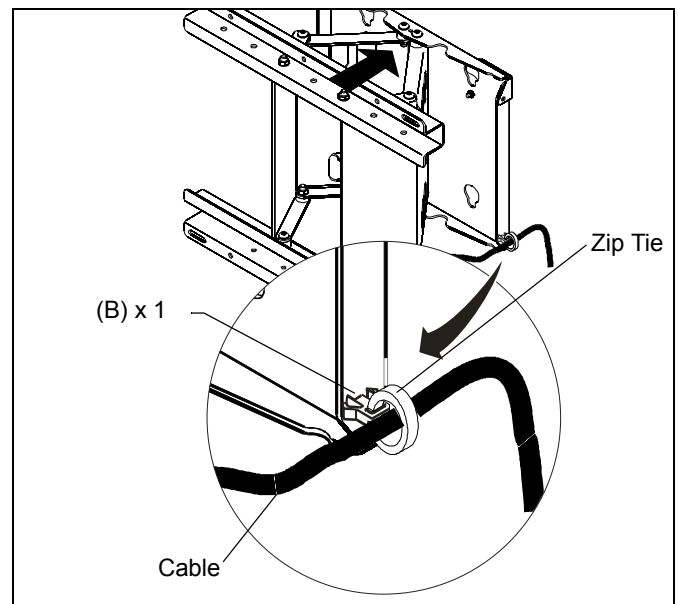


Figure 10

SONY[®]

8832-000262 Rev B
05/09

Sony Electronics Inc.

1 Sony Drive
Park Ridge, NJ 07656
201-930-1000

www.sony.com/displaysystems