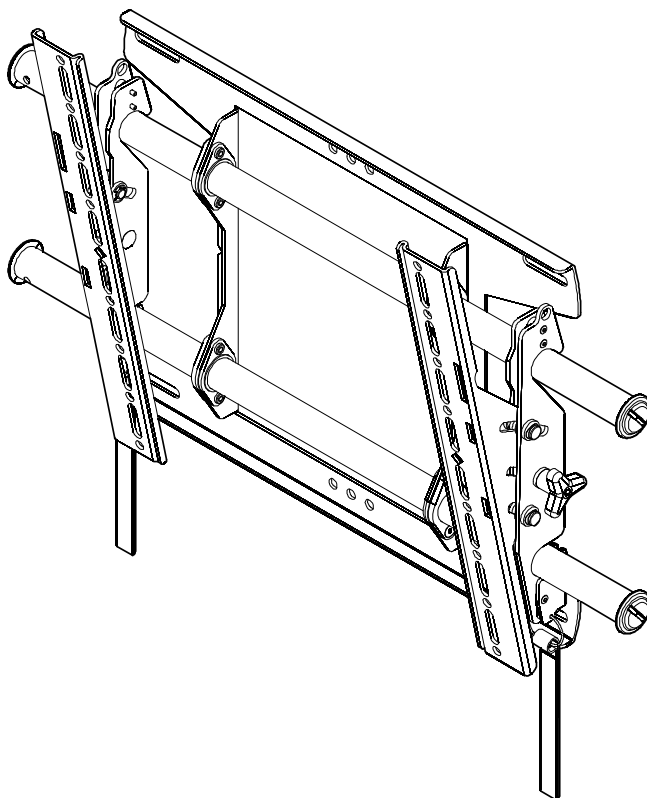


---

# INSTALLATION INSTRUCTIONS

---



---

## MEDIUM FLAT PANEL TILT MOUNT

---

---

**SONY®**

---

**CH-SMTAU**

---

**DISCLAIMER**

Sony Electronics, Inc., and its affiliated corporations and subsidiaries (collectively, "Sony"), intend to make this manual accurate and complete. However, Sony makes no claim that the information contained herein covers all details, conditions or variations, nor does it provide for every possible contingency in connection with the installation or use of this product. The information contained in this document is subject to change without notice or obligation of any kind. Sony makes no representation of warranty, expressed or implied, regarding the information contained herein. Sony assumes no responsibility for accuracy, completeness or sufficiency of the information contained in this document.

**! IMPORTANT WARNINGS AND CAUTIONS!**

**! WARNING:** A WARNING alerts you to the possibility of serious injury or death if you do not follow the instructions.

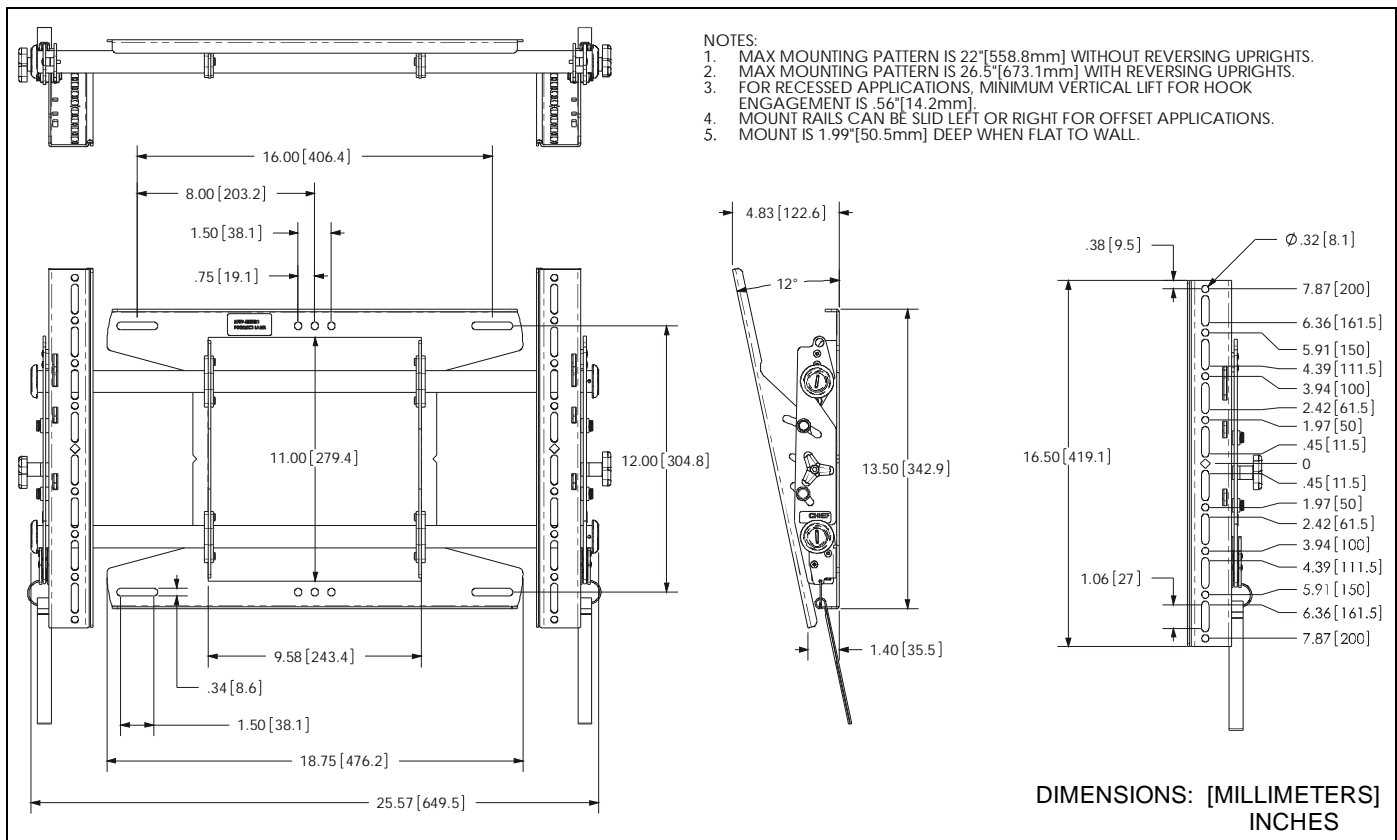
**! CAUTION:** A CAUTION alerts you to the possibility of damage or destruction of equipment if you do not follow the corresponding instructions.

**! WARNING:** Failure to read, thoroughly understand, and follow all instructions can result in serious personal injury, damage to equipment, or voiding of factory warranty! It is the installer's responsibility to make sure all components are properly assembled and installed using the instructions provided.







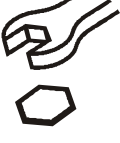





**! WARNING:** Failure to provide adequate structural strength for this component can result in serious personal injury or damage to equipment! It is the installer's responsibility to make sure the structure to which this component is attached can support five times the combined weight of all equipment. Reinforce the structure as required before installing the component. The wall to which the mount is being attached may have a maximum drywall thickness of 5/8" (1.6cm).

**! WARNING:** Exceeding the weight capacity can result in serious personal injury or damage to equipment! It is the installer's responsibility to make sure the combined weight of all components located between the CH-SMTAU up to (and including) the display does not exceed 125 lbs (56.7 kg) for dual stud attachment and concrete, and 75 lbs (34.0 kg) for single stud attachment.

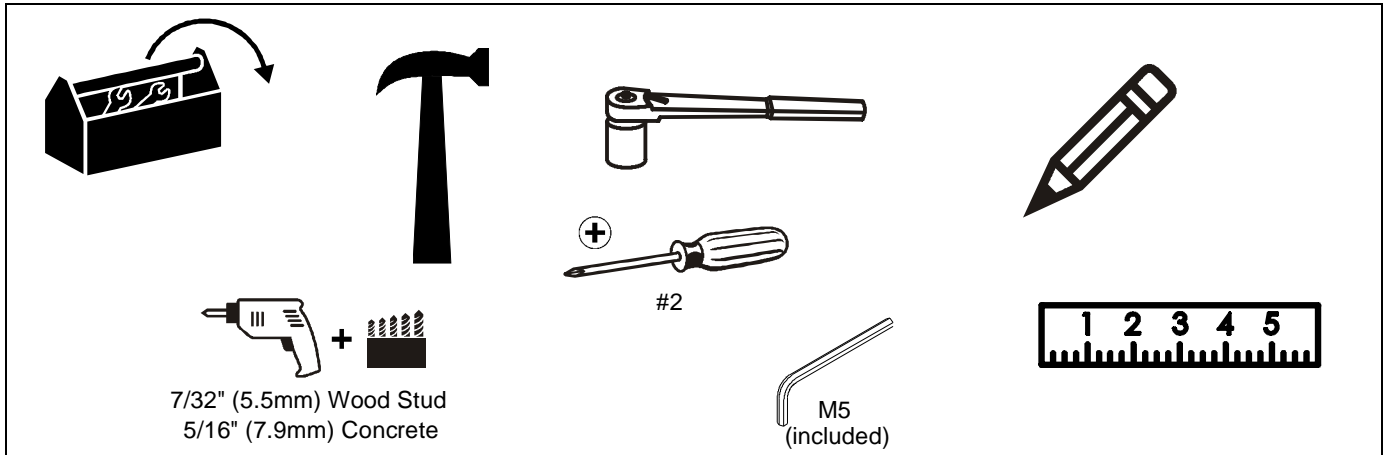
**DIMENSIONS**



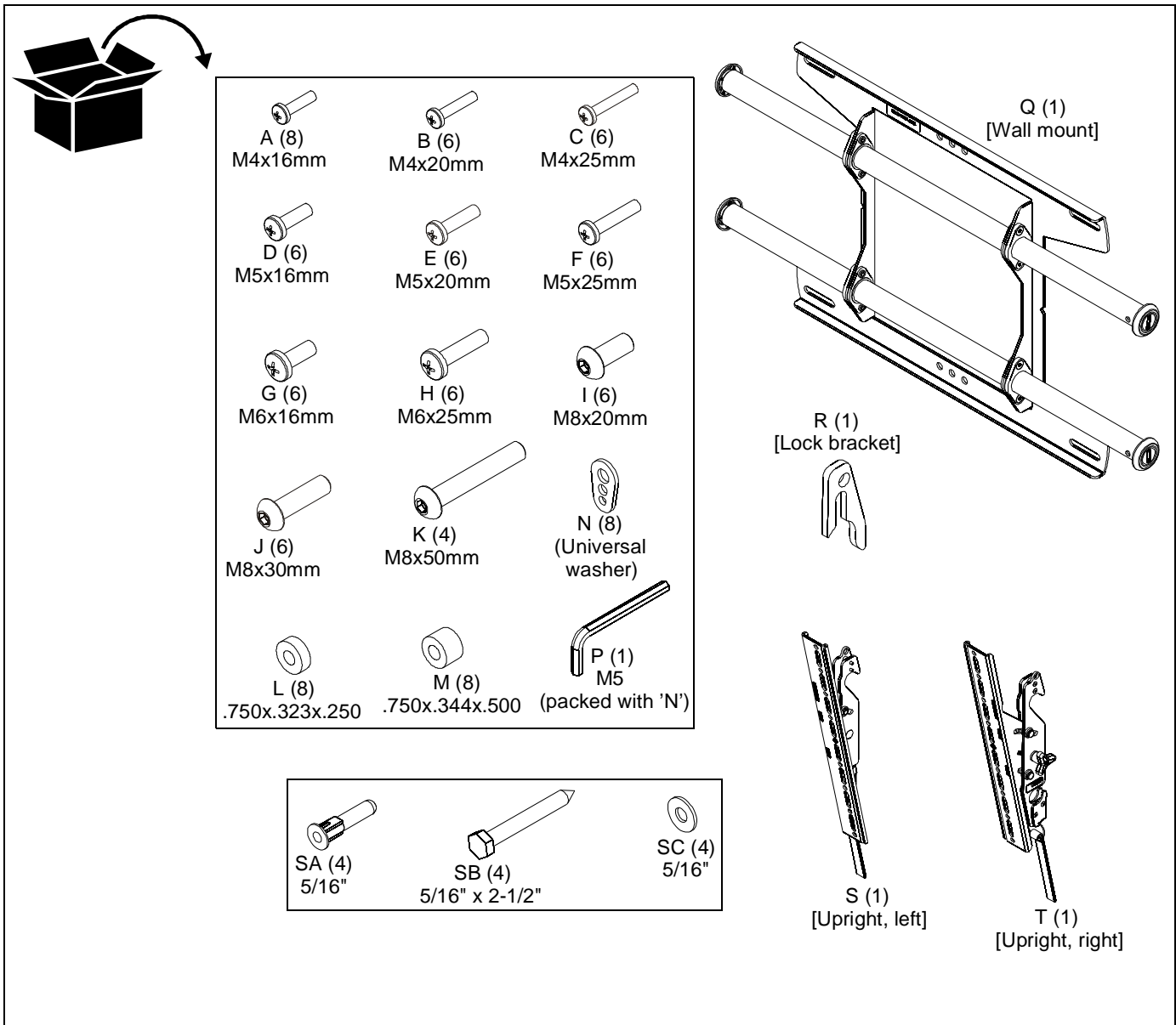
**LEGEND**

	<p><b>Tighten Fastener</b>                  Apretar elemento de fijación                  Befestigungsteil festziehen                  Apertar fixador                  Serrare il fissaggio                  Bevestiging vastdraaien                  Serrez les fixations</p>		<p><b>Pencil Mark</b>                  Marcar con lápiz                  Stiftmarkierung                  Marcar com lápis                  Segno a matita                  Potloodmerkteken                  Marquage au crayon</p>
	<p><b>Loosen Fastener</b>                  Aflojar elemento de fijación                  Befestigungsteil lösen                  Desapertar fixador                  Allentare il fissaggio                  Bevestiging losdraaien                  Desserrez les fixations</p>		<p><b>Drill Hole</b>                  Perforar                  Bohrloch                  Fazer furo                  Praticare un foro                  Gat boren                  Percez un trou</p>
	<p><b>Phillips Screwdriver</b>                  Destornillador Phillips                  Kreuzschlitzschraubendreher                  Chave de fendas Phillips                  Cacciavite a stella                  Kruiskopschroevendraaier                  Tournevis à pointe cruciforme</p>		<p><b>Adjust</b>                  Ajustar                  Einstellen                  Ajustar                  Regolare                  Afstellen                  Ajuster</p>
	<p><b>Open-Ended Wrench</b>                  Llave de boca                  Gabelschlüssel                  Chave de bocas                  Chiave a punte aperte                  Steeksleutel                  Clé à fourche</p>		<p><b>Remove</b>                  Quitar                  Entfernen                  Remover                  Rimuovere                  Verwijderen                  Retirez</p>
	<p><b>By Hand</b>                  A mano                  Von Hand                  Com a mão                  A mano                  Met de hand                  À la main</p>		<p><b>Optional</b>                  Opcional                  Optional                  Opcional                  Opzionale                  Optie                  En option</p>
	<p><b>Hex-Head Wrench</b>                  Llave de cabeza hexagonal                  Sechskantschlüssel                  Chave de cabeça sextavada                  Chiave esagonale                  Zeskantsleutel                  Clé à tête hexagonale</p>		<p><b>Security Wrench</b>                  Llave de seguridad                  Sicherheitsschlüssel                  Chave de segurança                  Chiave di sicurezza                  Veiligheidssleutel                  Clé de sécurité</p>

**TOOLS REQUIRED FOR INSTALLATION**



**PARTS**



## INSTALLATION

The CH-SMTAU has been designed to be mounted directly onto either a wood stud or concrete wall. The CH-SMTAU has brackets which allow the display to be tilted.

### Locate Mounting Site



**WARNING:** IMPROPER INSTALLATION CAN LEAD TO MOUNT FALLING CAUSING SEVERE PERSONAL INJURY OR DAMAGE TO EQUIPMENT! It is the installers responsibility to make certain the structure to which the mount is being attached is capable of supporting five times the weight of the CH-SMTAU not to exceed 125 lbs (56.7 kg) for dual stud attachment, and 75 lbs (34.0 kg) for single stud attachment.



**WARNING:** Proceed to either the **Installing to a Wood Stud Wall** section or the **Installing to a Concrete Wall** section.

### Installing to a Wood Stud Wall

1. Determine the center of the display, and where it should be located on the wall.
2. Locate the closest stud to the left and right of the selected location.

**NOTE:** If the screen area lies over a stud, use that stud if using the **single stud installation method**.

**NOTE:** Use that stud and the stud to either the left or right of it if using the **dual stud installation method**.

3. Line up the notches on mount with center of screen marking to determine vertical center. (See Figure 1)
4. Measure up 6" (152.4mm) from the center point to mark location of the upper mounting slots.

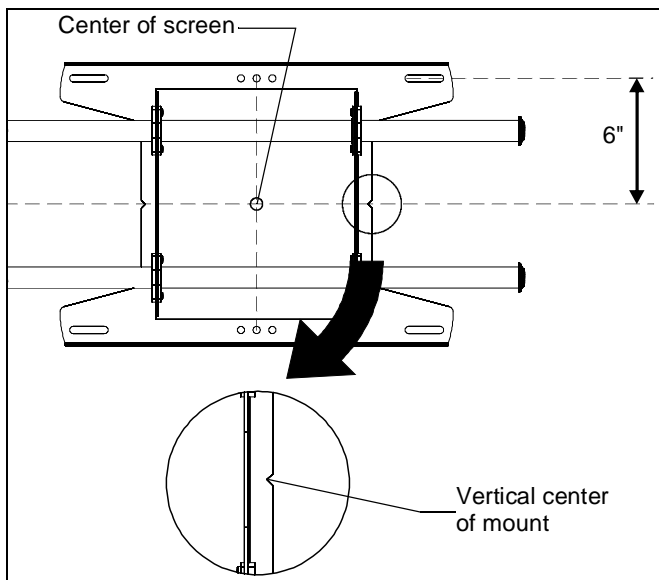


Figure 1

5. Using a level, mark the wall on each stud to attach the mount through the upper mounting slots. (See Figure 2)

**NOTE:** The CH-SMTAU may be attached through the mounting slots on dual studs, or through the center mounting holes on a single stud. (See Figure 2)

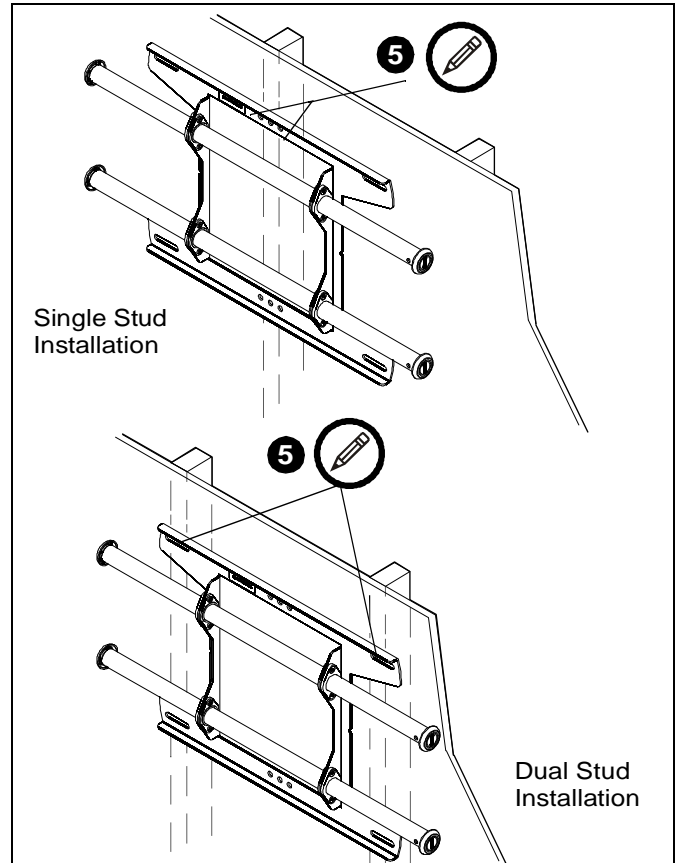


Figure 2



**WARNING:** ELECTRICAL SHOCK HAZARD! CUTTING OR DRILLING INTO ELECTRICAL CORDS OR CABLES CAN CAUSE DEATH OR SERIOUS PERSONAL INJURY! ALWAYS make certain area behind mounting surface is free of electrical wires and cables before drilling or installing fasteners.



**WARNING:** EXPLOSION AND FIRE HAZARD! CUTTING OR DRILLING INTO GAS PLUMBING CAN CAUSE DEATH OR SERIOUS PERSONAL INJURY! ALWAYS make certain area behind mounting surface is free of gas, water, waste, or any other plumbing before cutting, drilling, or installing fasteners.

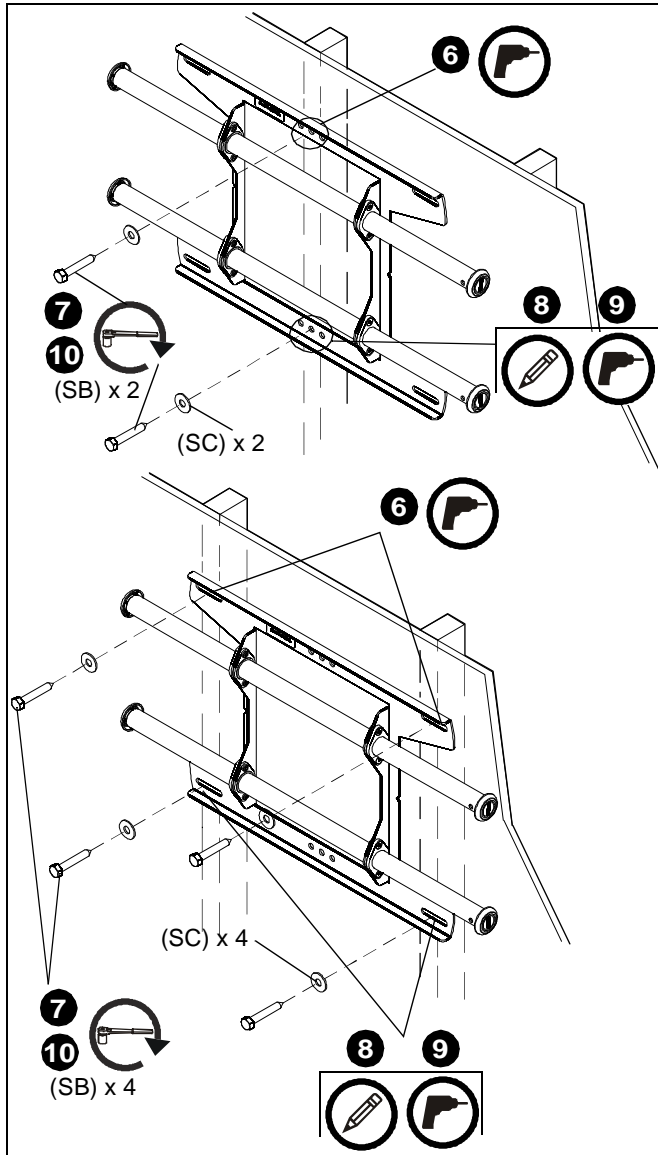


Figure 3

6. Drill one 7/32" (5.5mm) pilot hole in each stud.
7. Use two 5/16 x 2-1/2" lag bolts (SB) and two 5/16" flat washers (SC) [one lag bolt and washer for single stud installation] to attach top of mount to wall. (See Figure 3)
8. Mark the attachment points for the lower mounting slots, making sure the attachment points are located on the studs. (See Figure 3)
9. Drill 7/32" (5.5mm) pilot holes at markings for lower mounting holes. (See Figure 3)
10. Use two 5/16 x 2-1/2" lag bolts (SB) and two 5/16" flat washers (SC) [one lag bolt and washer for single stud installation] to attach the mount to the wall through the lower mounting holes. (See Figure 3)
11. Slide rails to approximate center of screen location.

**Installing to a Concrete Wall**

1. Determine the center of the display, and where it should be located on the wall.

2. Line up the notches on mount with center of screen marking to determine vertical center. (See Figure 1)
3. Measure up 6" (152.4mm) from the center point to mark location of the upper mounting slots. (See Figure 1)
4. Using a level, mark the wall through both upper mounting slots. (See Figure 4)



**WARNING:** ELECTRICAL SHOCK HAZARD! CUTTING OR DRILLING INTO ELECTRICAL CORDS OR CABLES CAN CAUSE DEATH OR SERIOUS PERSONAL INJURY! ALWAYS make certain area behind mounting surface is free of electrical wires and cables before drilling or installing fasteners.



**WARNING:** EXPLOSION AND FIRE HAZARD! CUTTING OR DRILLING INTO GAS PLUMBING CAN CAUSE DEATH OR SERIOUS PERSONAL INJURY! ALWAYS make certain area behind mounting surface is free of gas, water, waste, or any other plumbing before cutting, drilling, or installing fasteners.

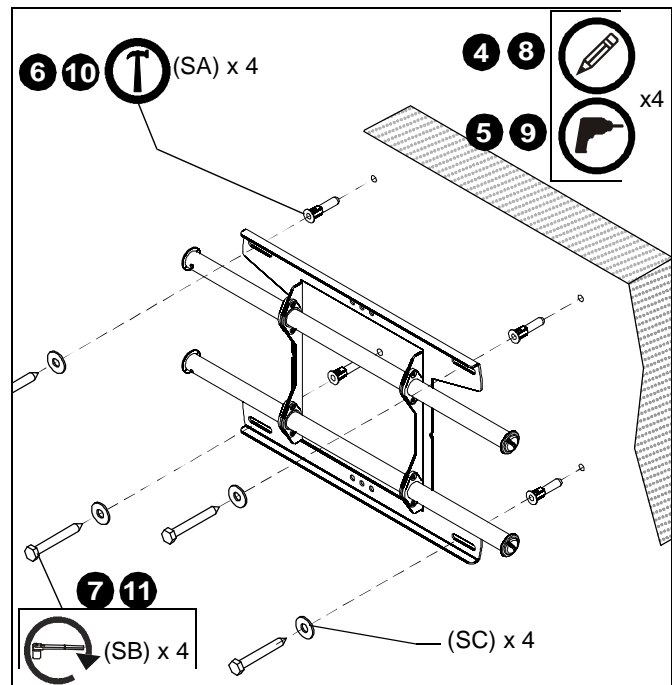


Figure 4

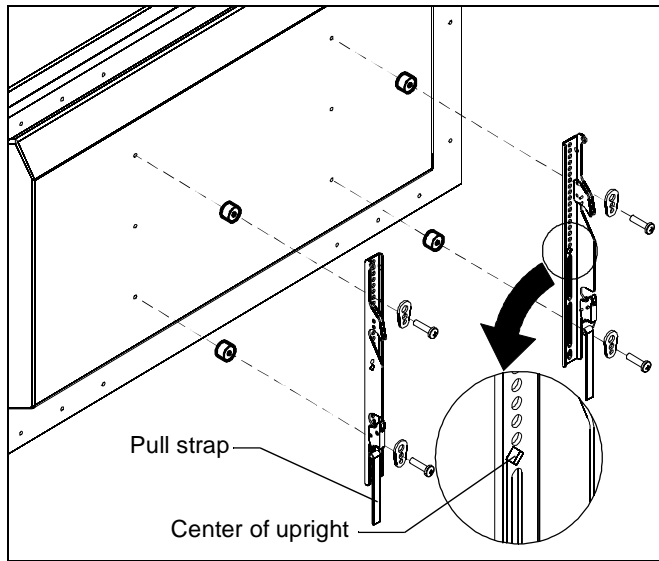
5. Drill one 5/16" (7.9mm) pilot hole at each marking.
6. Install an anchor (SA) into each pilot hole using a hammer.
7. Use two 5/16 x 2-1/2" lag bolts (SB) and two 5/16" flat washers (SC) to attach top of mount to anchors in wall.
8. Mark the attachment points for the lower mounting slots. (See Figure 4)
9. Drill one 5/16" (7.9mm) pilot hole at each marking for lower mounting holes. (See Figure 4)
10. Install an anchor (SA) into each pilot hole using a hammer.

11. Use two 5/16 x 2-1/2" lag bolts (SB) and two 5/16" flat washers (SC) to attach the mount to the wall through the lower mounting holes. (See Figure 4)
12. Slide rails to approximate center of screen location.

**Attaching Interface Brackets to Display**

1. Align the center of the upright with center of screen. (See Figure 5)

**NOTE:** The diamond-shape hole in the upright corresponds to the center of the mount.



**Figure 5**



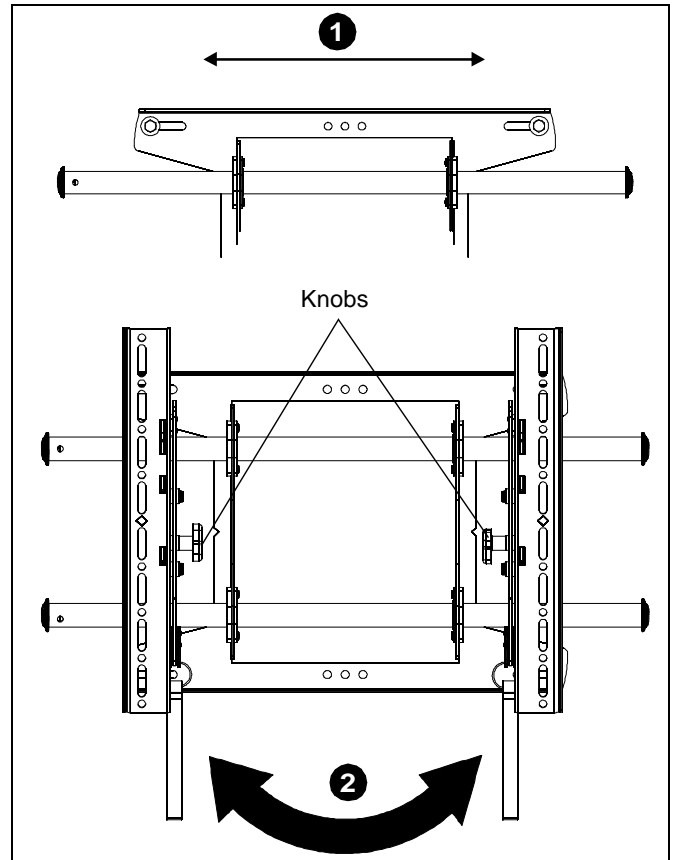
**WARNING:** IMPROPER INSTALLATION CAN LEAD TO DISPLAY FALLING CAUSING SERIOUS PERSONAL INJURY OR DAMAGE TO EQUIPMENT! Using screws of improper size may damage your display. Properly sized screws will easily and completely thread into display mounting holes. If spacers are required, be sure to use longer screws of the same diameter.

2. Select correct screws, spacers (if necessary) and washers from the hardware bag (A-N) and attach uprights to back of screen. (See Figure 5)

**Switching Uprights (Optional)**

If an installation situation makes adjusting the location of uprights necessary, there are several options.

1. The wall bracket may be adjusted side to side at the points of attachment. (See Figure 6)
2. The location of the left and right uprights may be switched, with the knobs on the CH-SMTAU uprights facing the inside of the mount. (See Figure 6)



**Figure 6**

3. If necessary, the upright knobs may be switched to allow the uprights to be reversed. (See Figure 7)
  - a. Remove display from mount.
  - b. Remove uprights from display.
  - c. Hold the right upright horizontally, tightly gripping it so that spacers do not move.
  - d. Remove the knob, washer and screw.
  - e. Replace the knob, washer and screw in the opposite order, with the knob on the inside of the upright.
  - f. Switch the right upright to the left side of the wall mount.
  - g. Repeat Steps 3c through 3f with the left upright.

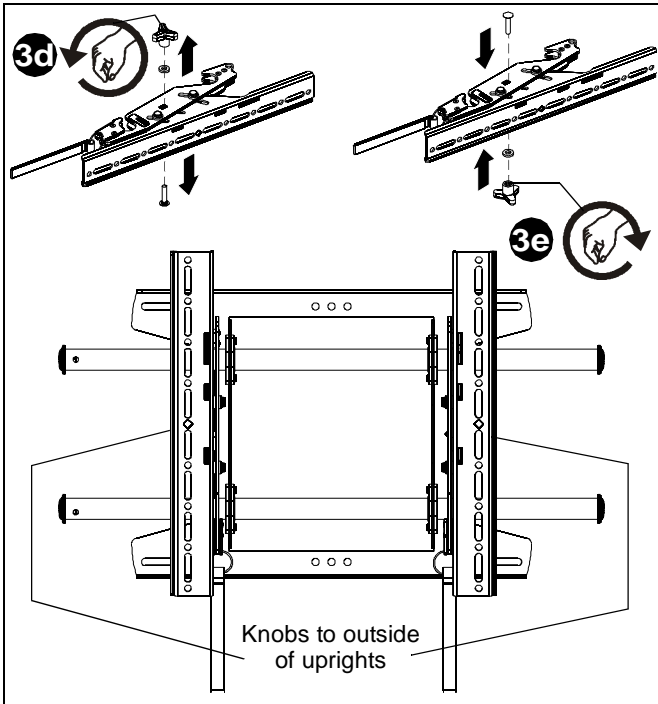


Figure 7

**Attaching Screen to Wall Mount**

1. Adjust Velcro® pull strap (if necessary) so it does not extend beyond bottom of screen. (See Figure 8)

**NOTE:** Do NOT allow both uprights to be located on same side of wall bracket. (See Figure 8)

**NOTE:** NEVER place both uprights to one side of the wall mount center line! (See Figure 8)

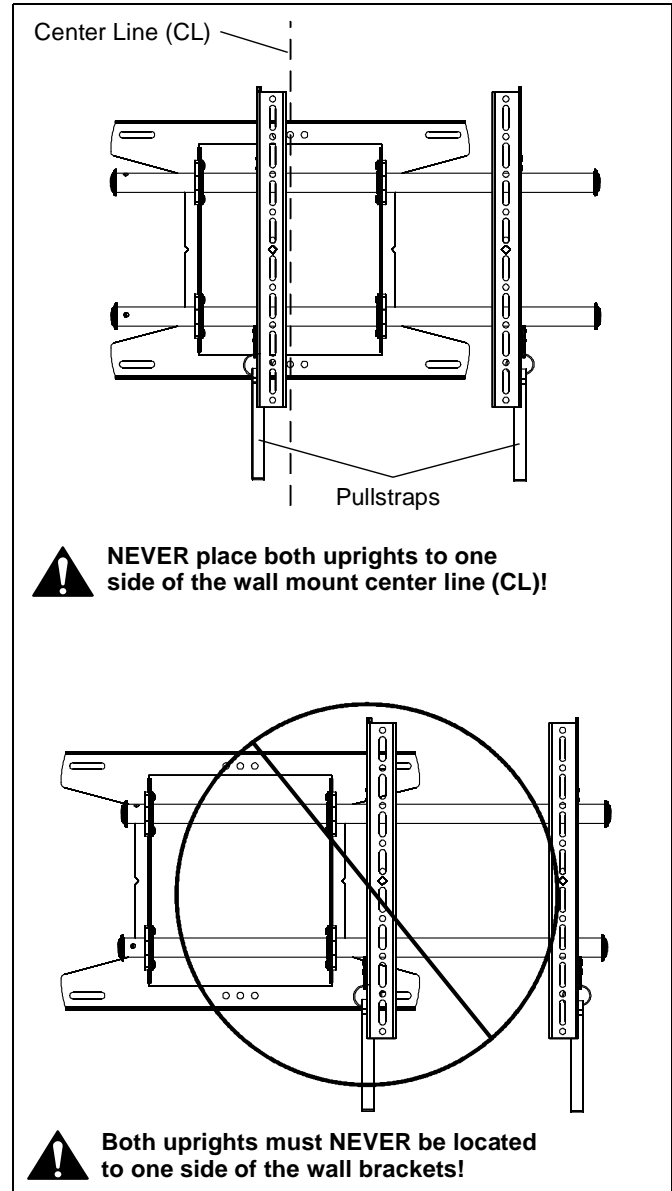


Figure 8



2. Hang top hook of uprights onto the top bar of the mount.  
(See Figure 9)

**NOTE:** The screen initially installs into the "kickstand mode" to allow easy cable access.

3. Slide screen and bars to desired viewing position.
4. Route cables between wall and bars.



**CAUTION:** PINCH POINTS! Keep fingers, hands and cables out of pinch point areas.

5. Pull downward on the pullstraps and swing inward toward wall, latching uprights to lower bar and locking bottom of screen to the mount. (See Figure 9)

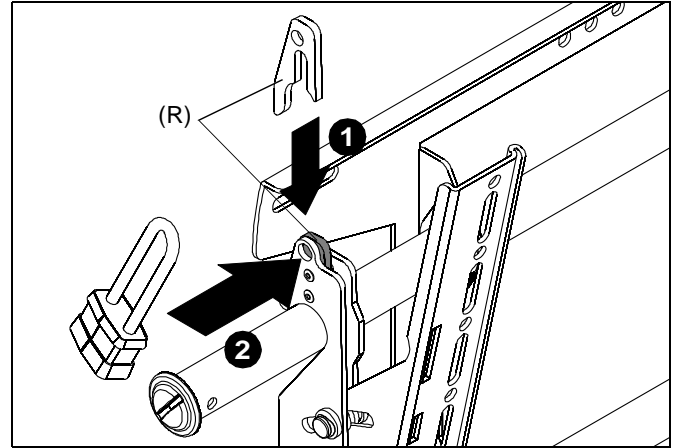


Figure 10

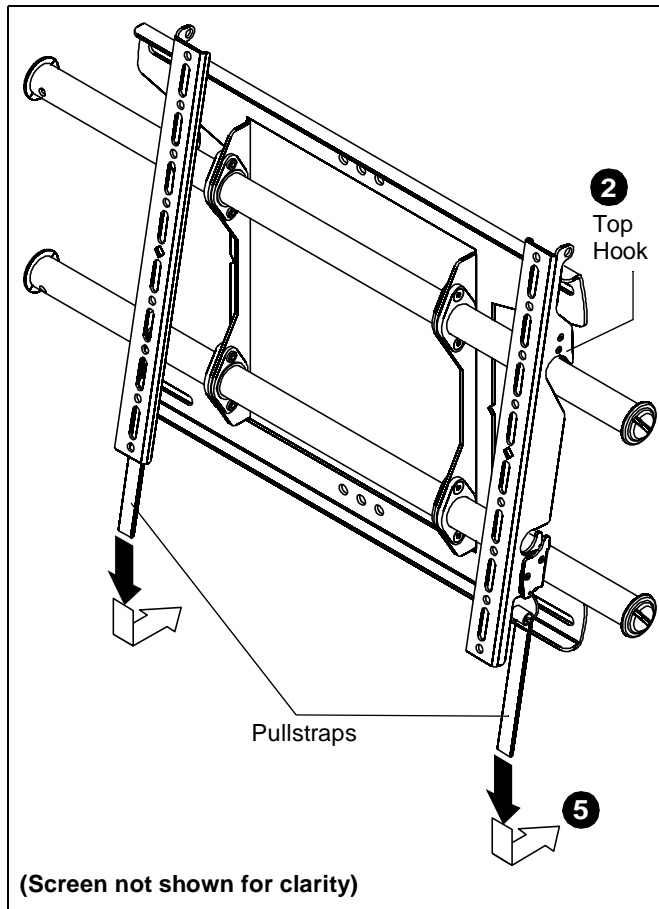


Figure 9

**Locking Mount (Optional)**

1. Add optional lock bracket (R) to the mount. (See Figure 10)
2. Add padlock (not included) to complete security.





**SONY**<sup>®</sup>

8832-002068 Rev00  
04/11

**Sony Electronics, Inc.**

1 Sony Drive  
Park Ridge, NJ 07656  
201-930-1000  
[www.sony.com/displaysystems](http://www.sony.com/displaysystems)

