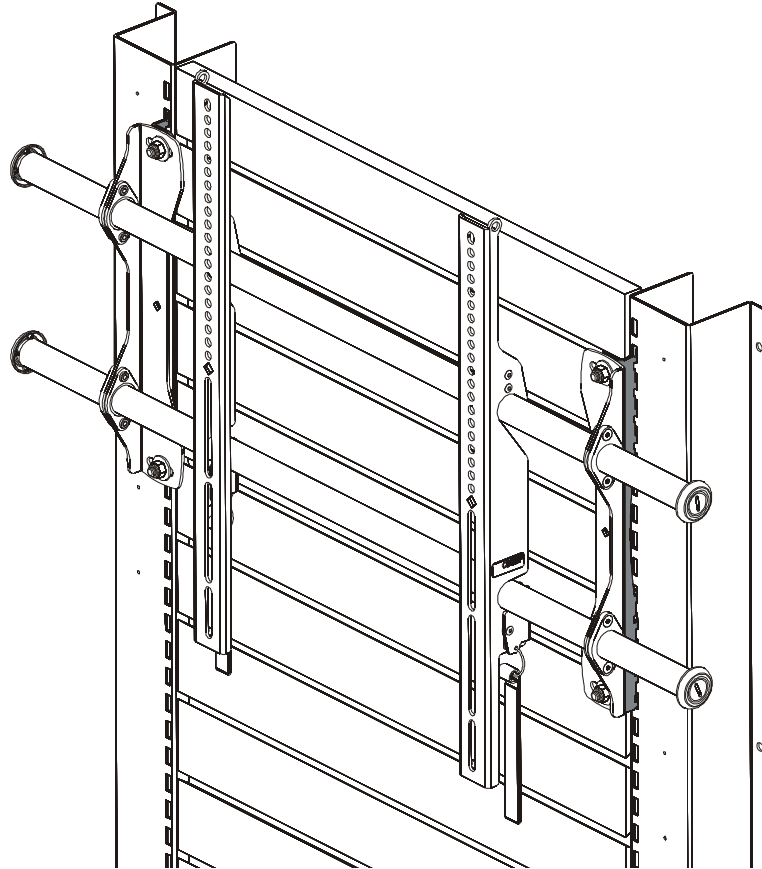

INSTALLATION INSTRUCTIONS



Sony Slat Wall Display Bracket

DISCLAIMER

Milestone AV Technologies and its affiliated corporations and subsidiaries (collectively "Milestone"), intend to make this manual accurate and complete. However, Milestone makes no claim that the information contained herein covers all details, conditions or variations, nor does it provide for every possible contingency in connection with the installation or use of this product. The information contained in this document is subject to change without notice or obligation of any kind. Milestone makes no representation of warranty, expressed or implied, regarding the information contained herein. Milestone assumes no responsibility for accuracy, completeness or sufficiency of the information contained in this document.

Chief® is a registered trademark of Milestone AV Technologies. All rights reserved.

! IMPORTANT SAFETY INSTRUCTIONS!

! WARNING: A WARNING alerts you to the possibility of serious injury or death if you do not follow the instructions.

! CAUTION: A CAUTION alerts you to the possibility of damage or destruction of equipment if you do not follow the corresponding instructions.

! WARNING: Failure to read, thoroughly understand, and follow all instructions can result in serious personal injury, damage to equipment, or voiding of factory warranty! It is the installer's responsibility to make sure all components are properly assembled and installed using the instructions provided.

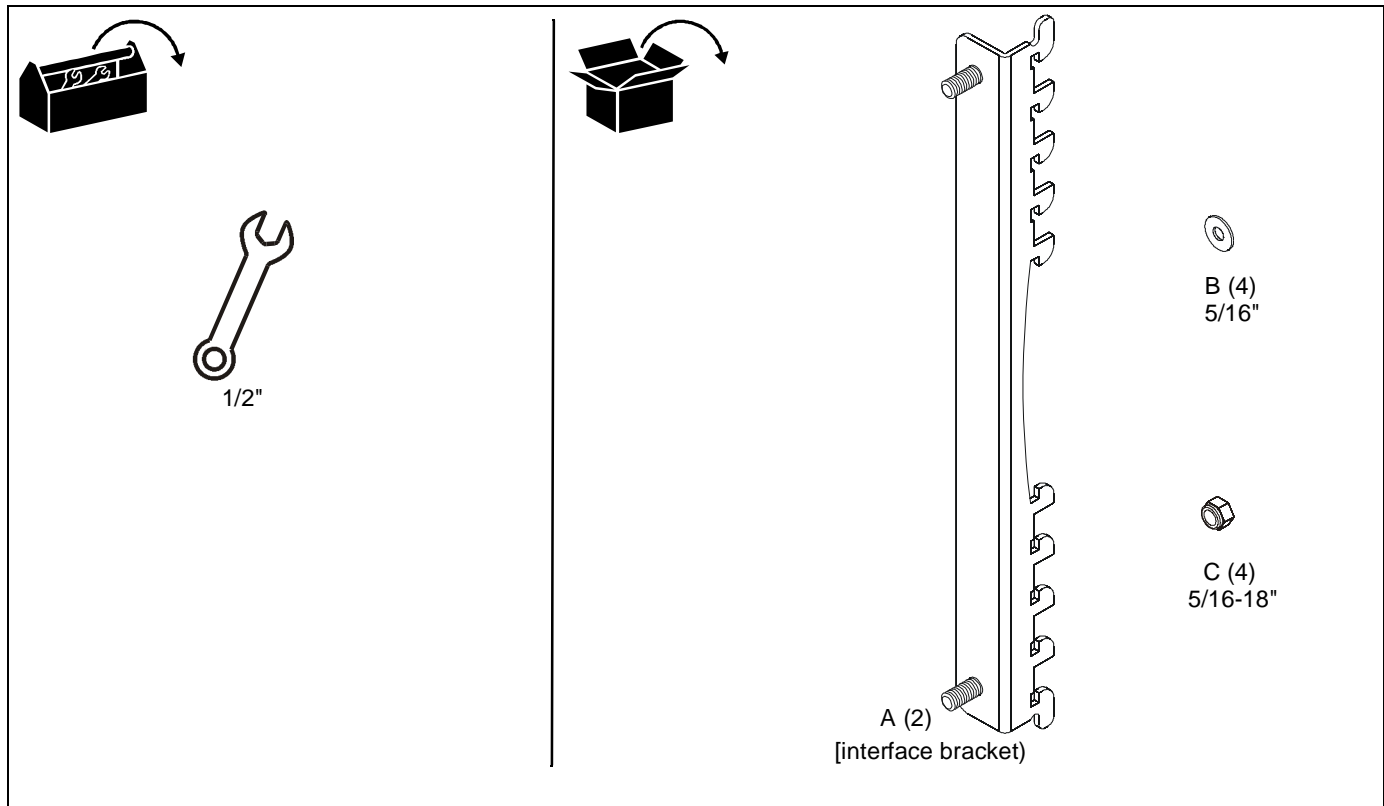
! WARNING: Failure to provide adequate structural strength for this component can result in serious personal injury or damage to equipment! Reinforce the structure as required before installing the component.

! WARNING: This interface bracket was designed to be used with Sony products for Sony in-store display purposes ONLY! This product has NOT been tested for mounting to any other mounting surfaces!

! WARNING: This interface bracket was specifically designed to connect Chief's medium and large iC fixed and tilt mounts to Sony in-store slat wall displays. DO NOT connect any other type of mount to the slat walls with these interface brackets!

--SAVE THESE INSTRUCTIONS--

TOOLS / PARTS FOR INSTALLATION



ASSEMBLY AND INSTALLATION

1. Use four 5/16-18" lock nuts (C) and four 5/16" washers (B) to connect wall mount to two interface brackets (A). (See Figure 1)

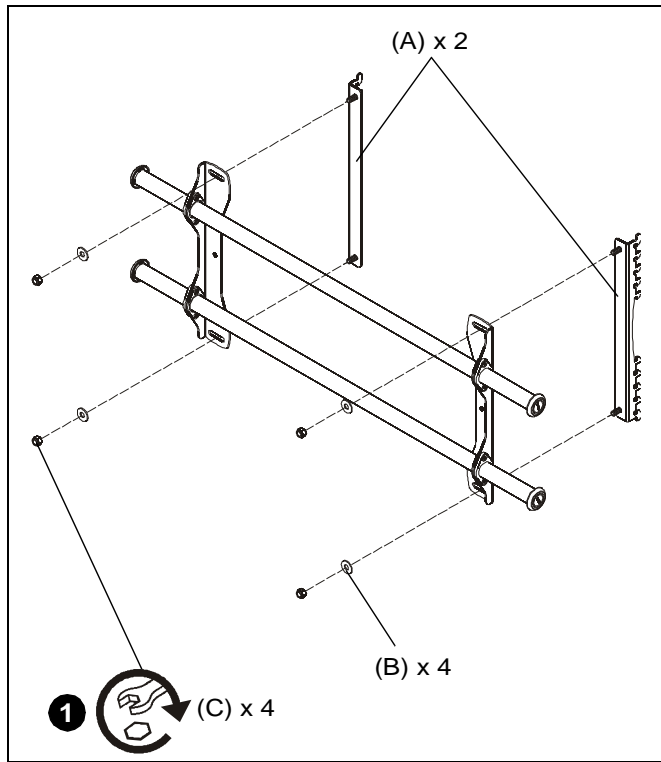


Figure 1

2. Insert notches on interface brackets (A) into corresponding holes on slat wall at desired mounting height. Press down on interface brackets until brackets are securely seated in slat wall holes. (See Figure 2) and (See Figure 3)

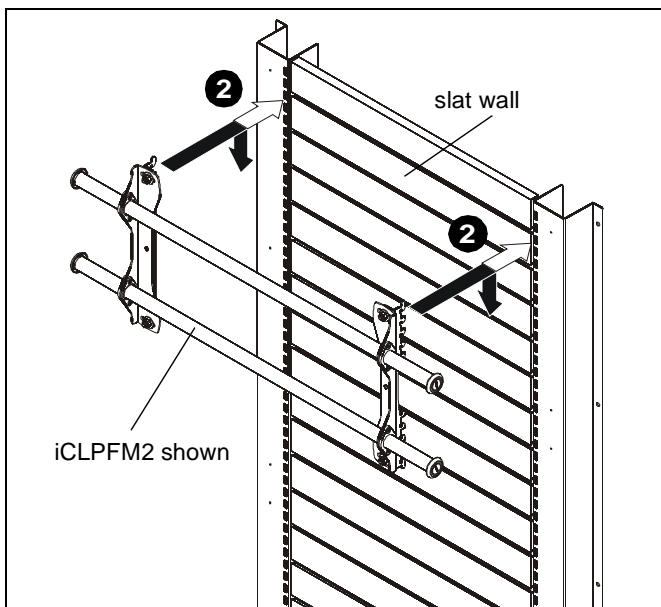


Figure 2

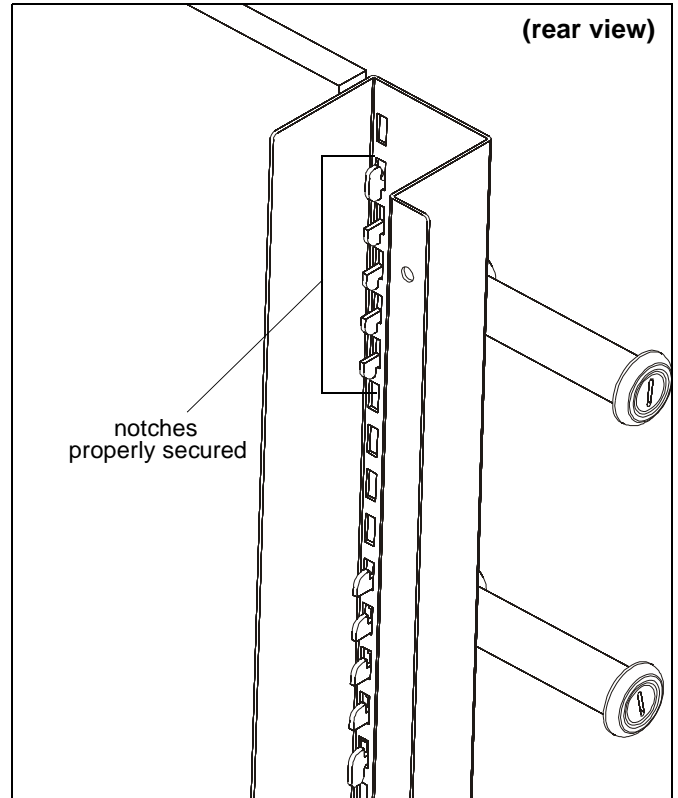


Figure 3

3. Proceed with mount installation according to the mount's installation instructions.



Our Mounts. **Your Vision.**

Chief Manufacturing, a products division
of Milestone AV Technologies

8832-002080 Rev00
©2011 Milestone AV Technologies, a
Duchossois Group Company
www.chiefmfg.com
10/11

USA/International	A 8401 Eagle Creek Parkway, Savage, MN 55378 P 800.582.6480 / 952.894.6280 F 877.894.6918 / 952.894.6918
Europe	A Fellenoord 130 5611 ZB EINDHOVEN, The Netherlands P +31 (0)40 2668620 F +31 (0)40 2668615
Asia Pacific	A Office No. 1 on 12/F, Shatin Galleria 18-24 Shan Mei Street Fotan, Shatin, Hong Kong P 852 2145 4099 F 852 2145 4477

