
INSTALLATION INSTRUCTIONS

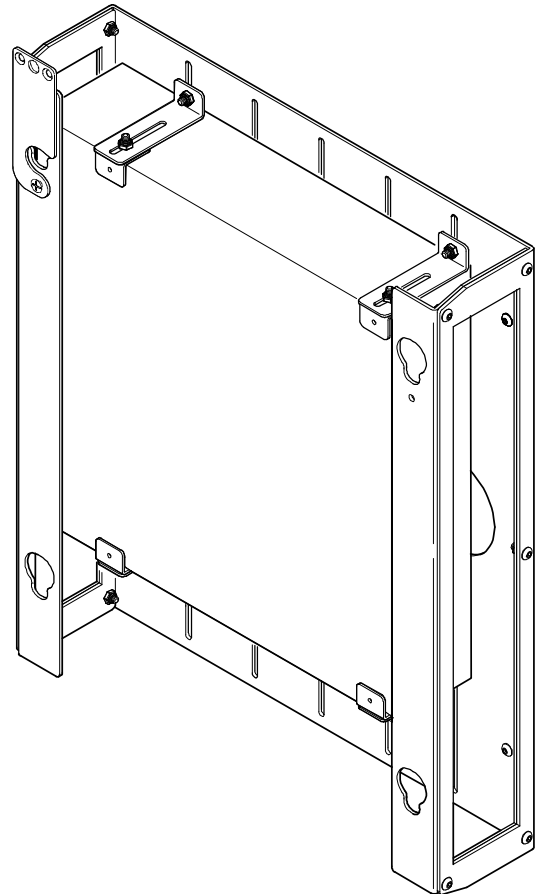
CPU/DVD and VCR Mounting Accessory

Model: CH-SPAC251

The CH-SPAC251 allows the integration of a CPU, DVD Player or VCR into installations using most Large Flat Panel Display mounts. This accessory easily adapts to the patented Q-Latch™ Mounting system and also allows for easy access to drives and input/output connections.

Fits Equipment Dimensions:

5.125"–17.625" W x 1.5"–3.5" H x 3.5"–15.5" D



BEFORE YOU BEGIN



WARNING: FAILURE TO READ, THOROUGHLY UNDERSTAND, AND FOLLOW ALL INSTRUCTIONS CAN LEAD TO SERIOUS PERSONAL INJURY, DAMAGE TO EQUIPMENT, OR VOIDING OF FACTORY WARRANTY! It is the installer's responsibility to make sure all components are properly assembled and installed using the instructions provided.



IMPORTANT WARNINGS AND CAUTIONS!

WARNING: A WARNING alerts you to the possibility of serious injury or death if you do not follow the instructions.

CAUTION: A CAUTION alerts you to the possibility of damage or destruction of equipment if you do not follow the corresponding instructions.



WARNING: FAILURE TO PROVIDE ADEQUATE STRUCTURAL STRENGTH FOR THIS ACCESSORY CAN RESULT IN SERIOUS PERSONAL INJURY OR DAMAGE TO EQUIPMENT! It is the installer's responsibility to make sure the structure to which this accessory is attached can support five times the combined weight of all equipment.



WARNING: EXCEEDING MAXIMUM WEIGHT CAPACITY CAN RESULT IN SERIOUS PERSONAL INJURY OR DAMAGE TO EQUIPMENT! It is the installer's responsibility to make sure the combined weight of the CH-SPAC251, device, and any other attached equipment does not exceed the capacity of display mount as stated in the installation instructions provided with the mount.

TOOLS REQUIRED FOR INSTALLATION

- 1/8" Hex Wrench (provided)

PARTS

Unpack carton, inspect and verify contents.

Item	Description	Qty
10	RACK, device Mounting	1
20	BRACKET, device Holding	4
30	BRACKET, device Mounting	4
40	BUTTON, Mounting	4
50	SCREW, Flat Head Cap, 10-24 x 1/2" (Black)	4
60	SCREW, Round Head Carriage Bolt, 10-24 x 5/8"	4
70	NUT, Nylock, 10-24	9
80	WRENCH, Hex, 1/8" (Provided)	1
90	FLAG, Latching	1
100	SCREW, Phillips Machine, 10-24 x 1/2"	1
110	WASHER, Flat	1

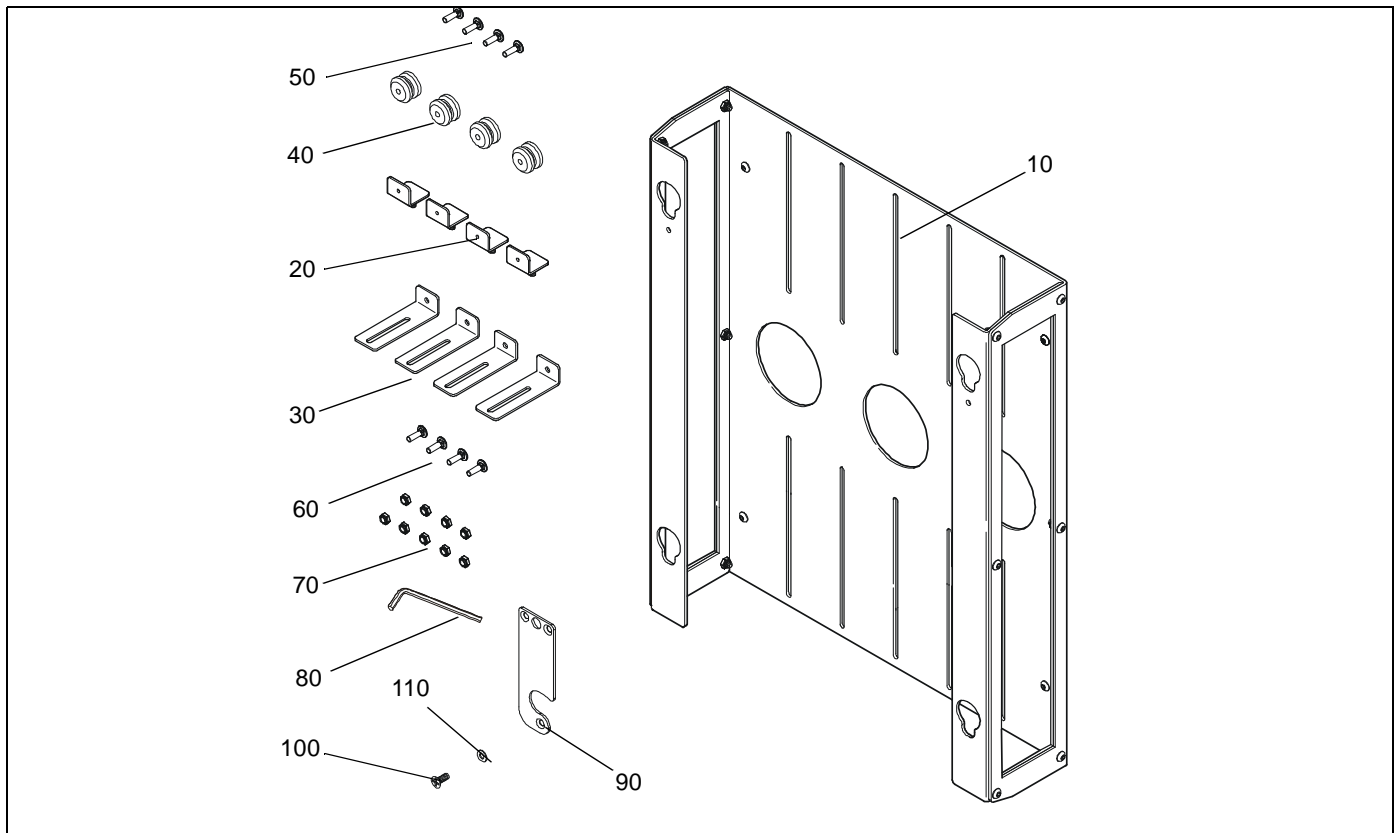
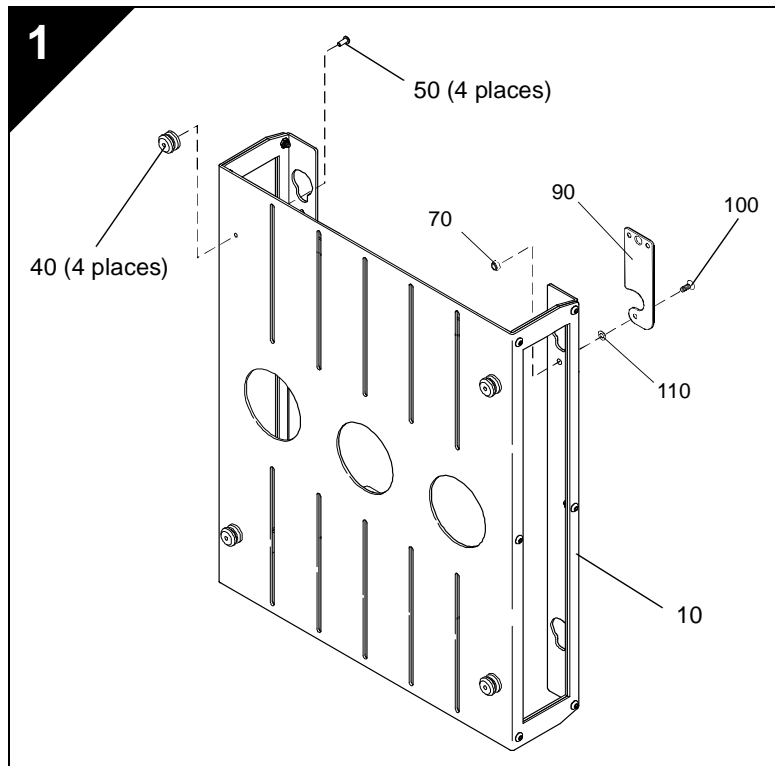


Figure 1: PARTS

INSTALLATION

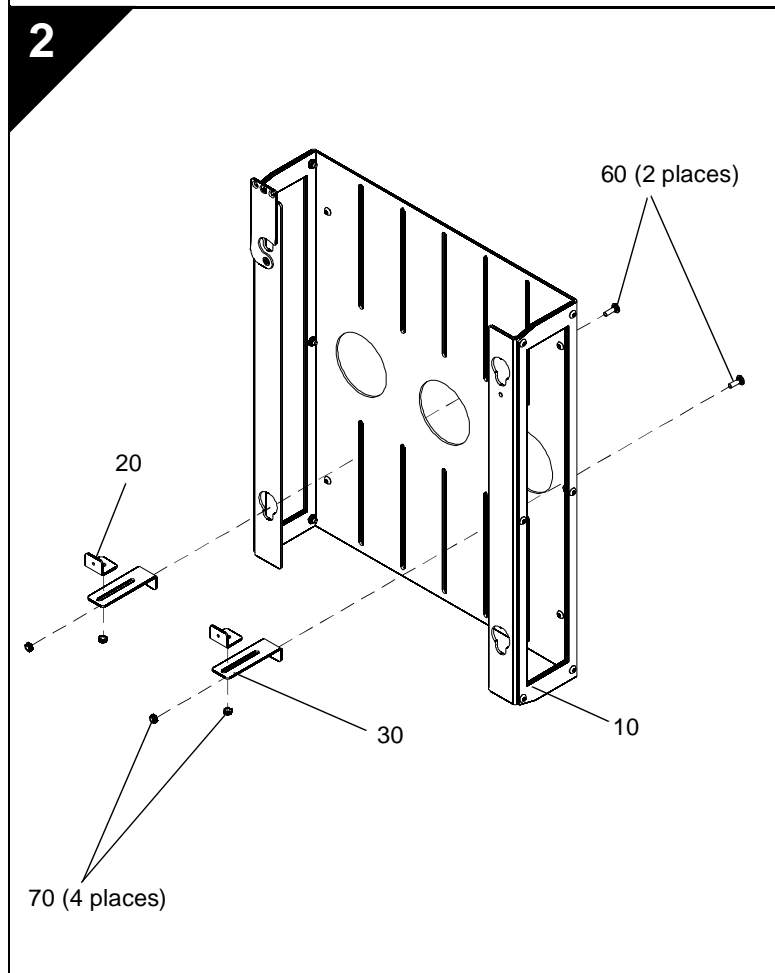


Install Mounting Buttons and Latching Flag



WARNING: IMPROPER INSTALLATION CAN LEAD TO DEVICE RACK FALLING! Mounting buttons must be securely fastened to device rack.

1. Install four mounting buttons (40) to device rack (10) using four 10-24 x 1/2" flat head cap screws (50).
2. Secure latching flag (90) to CPU holder (10) using one #10-24 x 1/2" Phillips Machine screw (100), one flat washer (110), and one #10-24 lock nut (70).



Install Lower Device Mounting Brackets



WARNING: IMPROPER INSTALLATION CAN LEAD TO DEVICE FALLING! All mounting brackets must be securely fastened to device rack.

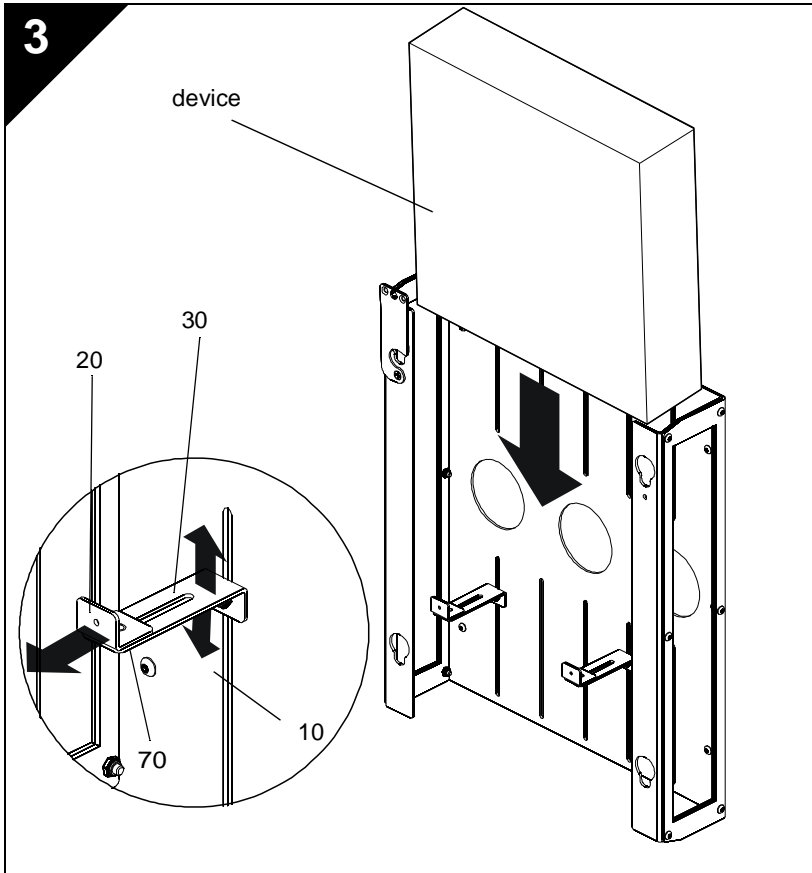
1. Install two lower device mounting brackets (30) to device rack (10) using two 10-24 x 5/8" round head carriage bolts (60) and two 10-24 Nylock nuts (70).

NOTE: Make certain the device mounting brackets (30) are oriented as show in the figure at left. DO NOT tighten hardware at this time!

2. Secure two lower device holding brackets (20) to device mounting brackets (30) using two 10-24 Nylock nuts (70).

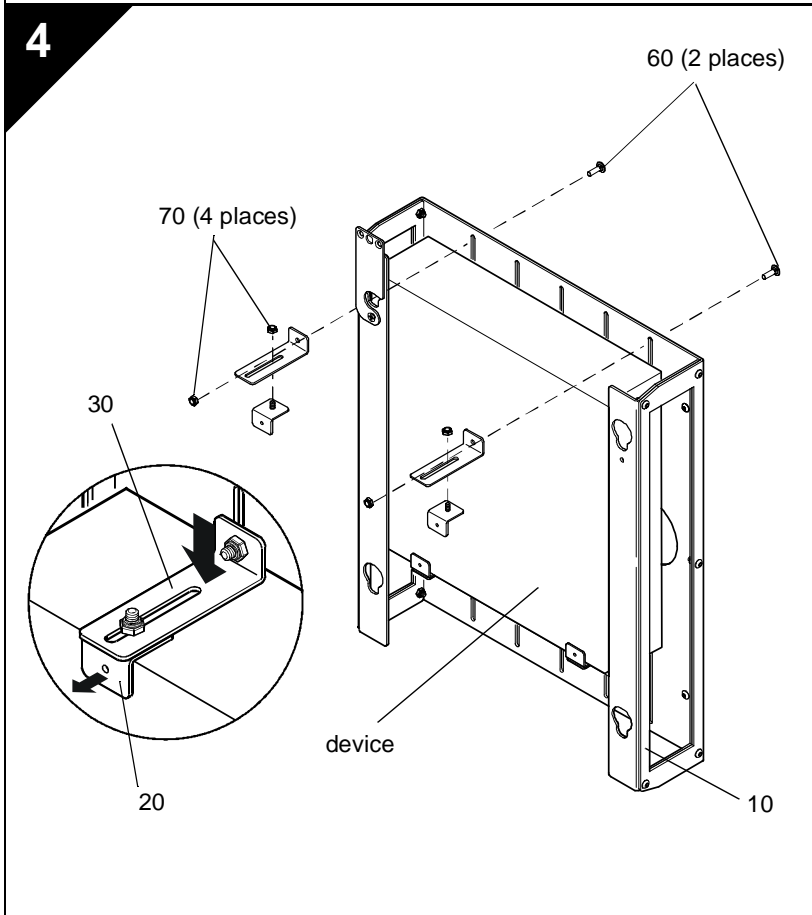
NOTE: DO NOT tighten hardware at this time!

3. Measure height of device and position brackets (20 and 30) so that device will be centered vertically in device rack (10).
4. Secure two lower device mounting brackets (30) to device rack (10) by tightening two 10-24 x 5/8" round head carriage bolt (60) and two 10-24 Nylock nuts (70).



Adjust Lower Device Mounting Brackets

1. Position two device holding brackets (20) so that they are at their outermost position. (see detail in figure at left)
2. Slide device into rack until resting on two lower device mounting brackets (30).
3. Slide two device holding brackets (20) forward until they contact device.
4. Tighten two 1/4-20 Nylock nuts (70)



Install Upper Device Mounting Brackets



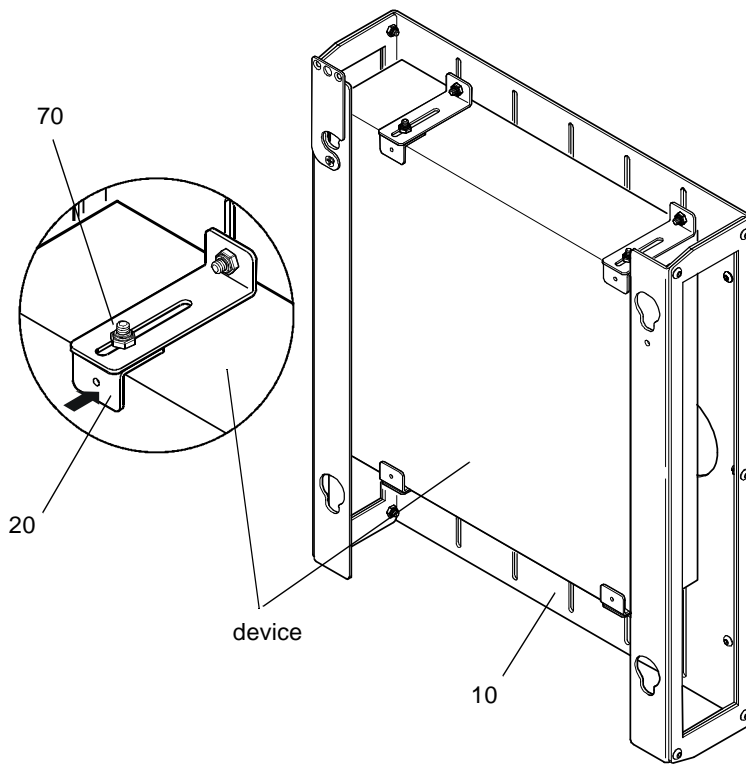
WARNING: IMPROPER INSTALLATION CAN LEAD TO DEVICE FALLING! All mounting brackets must be securely fastened to device rack.

IMPORTANT ! : Make certain device holding brackets (20) are oriented as shown in figure at left.

1. Install two upper device holding brackets (20) into slots in upper device mounting brackets (30) using two 10-24 Nylock nuts (70).

NOTE: DO NOT tighten hardware at this time.

2. Position two upper device holding brackets (20) so that they are at their outermost position. (see detail in figure at left)
3. Secure two upper bottom device mounting brackets (30) to device rack (10) using two 10-24 x 5/8" round head carriage bolts (60) and two 10-24 Nylock nuts (70).

5**Adjust Upper Device Mounting Brackets**

1. Slide two device holding brackets (20) forward until they contact device. (see detail in figure at left)
2. Tighten two 1/4-20 Nylock nuts (70)

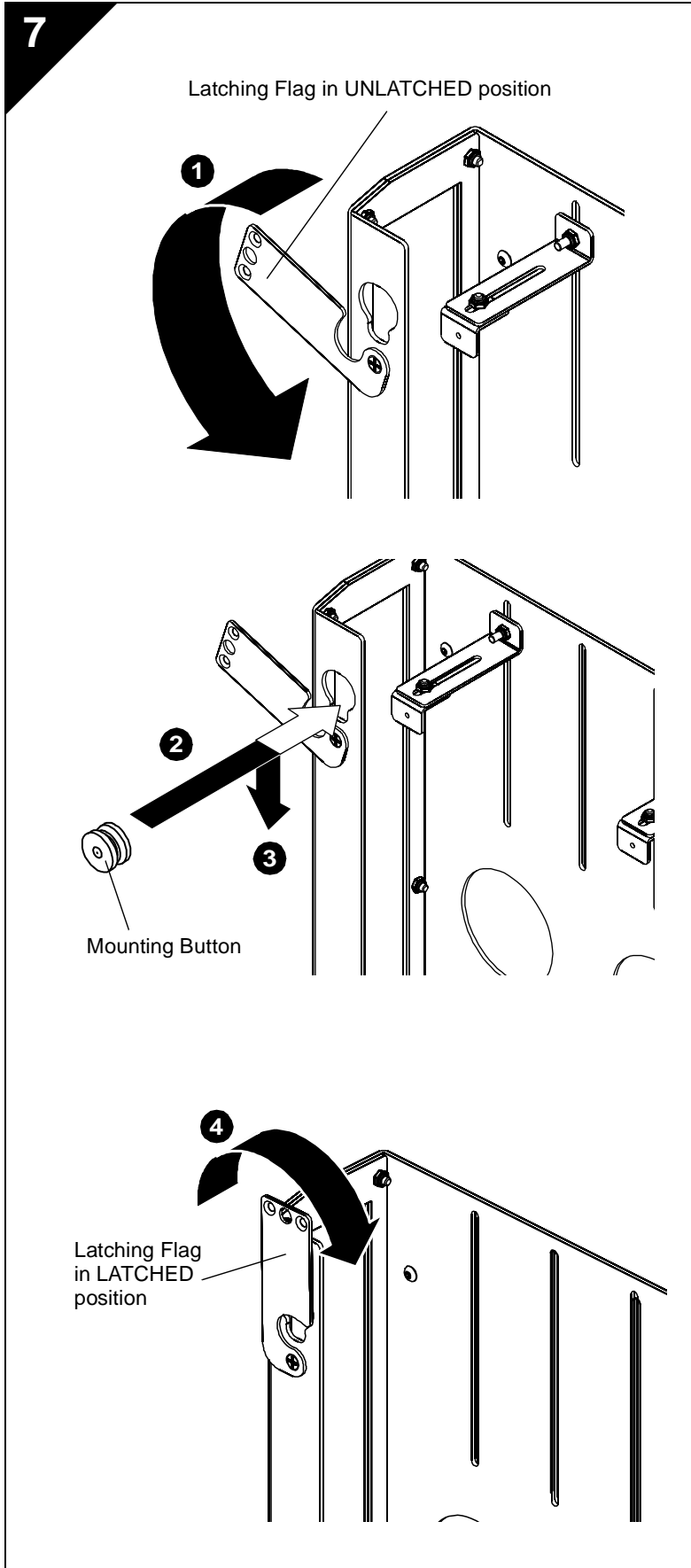
6**Install Device Accessory with Device to Mount**

WARNING: COMBINED WEIGHT OF CH-SPAC251 AND RACK MAY BE IN EXCESS OF 40 LBS. ALWAYS use two people when lifting and follow proper lifting techniques when installing!

1. Secure CH-SPAC251 with device to mount following the instructions outlined in the manual provided for the mount.



WARNING: IMPROPER INSTALLATION CAN LEAD TO CH-SPAC251 FALLING! Make certain mounting buttons on CH-SPAC251 are fully engaged in teardrop holes in mount and latching flag on mount is fully closed before installing the display.



Install Display

⚠ WARNING: DISPLAY MAY WEIGH IN EXCESS OF 40 LBS. ALWAYS use two people when lifting and follow proper lifting techniques when installing!

IMPORTANT ! : The following procedure assumes that the proper interface bracket for display being mounted has already been installed on display. If no interface bracket is present on display, install bracket to display using instructions included with interface bracket before proceeding.

1. Make sure latching flag is in the UNLATCHED position.
2. While supporting each side of display, align four mounting buttons on display or interface bracket with four teardrop slots in device holder.
3. Lower display firmly into place.

⚠ CAUTION: Latching flag must fully engage mounting button.

4. Secure display by rotating latching flag to the LATCHED position. If latching flag does not fully engage, ensure mounting buttons are fully seated in teardrop slots.
5. Connect cables to display.

