

SONY

CH-SPAC400

LARGE FLAT SCREEN ROTATION ACCESSORY

Prior to assembly, unpack carton completely and verify contents.

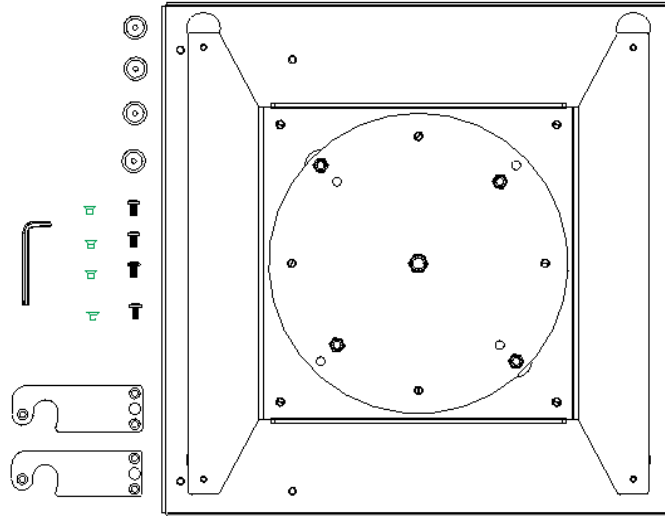


Figure 1

- (1) Rotation Assembly
- (4) 10-24 x 1/4" Phillip Head Cap Screw
- (1) 5/32" Security Hex Key

- (4) Mounting Buttons-Tapped 10-24
- (4) 10-24 x 3/8" Flat Head Security Screws
- (2) Latching Flags

BEFORE PROCEEDING, READ INSTALLATION INSTRUCTIONS COMPLETELY

CAUTION! LARGE FLAT SCREEN DISPLAYS ARE EXTREMELY FRAGILE.

NOTE: The CH-SPAC400 adds 1.06" depth and 18.5 lbs (8.39 kg) to overall installation. It is the installer's responsibility to ensure that combined weight of screen and CH-SPAC400 does not exceed the maximum support weight of the mount.

1. Remove screen from mount or, if not installed, install interface bracket to back of screen per instructions supplied with mount.
2. Attach mounting buttons to rotation assembly, making sure the buttons are securely fastened. (see Figure 2 & Figure 3).

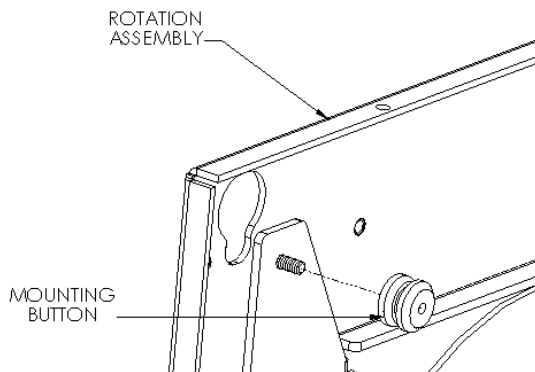


Figure 2

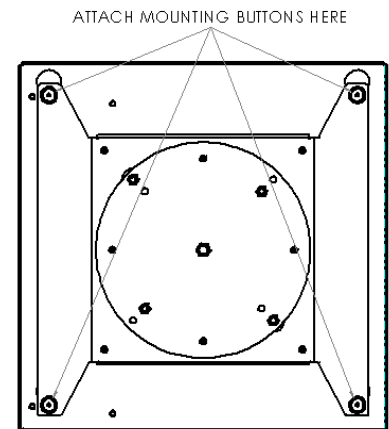


Figure 3

3. Attach CH-SPAC400 to interface bracket by placing the mounting buttons of interface bracket into the teardrop slots of CH-SPAC400. Make sure the mounting buttons are placed securely in teardrop slots. (See Figure 4).

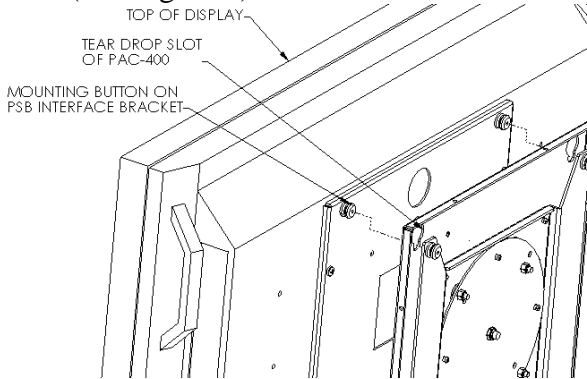


Figure 4

4. Place latching flags over buttons and secure using 10-24 Phillips head cap screws. Use 10-24 undercut security screws and security hex key instead of Phillips screws for added security. (See Figures 5 & 6).

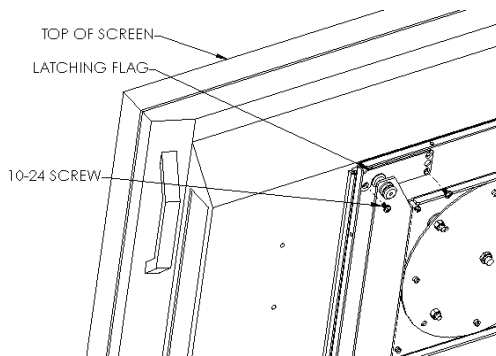


Figure 5

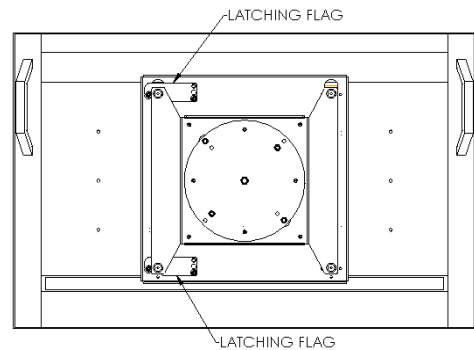


Figure 6

5. Set desired amount of friction for rotating screen by tightening or loosening nuts (4) on back side of CH-SPAC400. (See Figure 7).

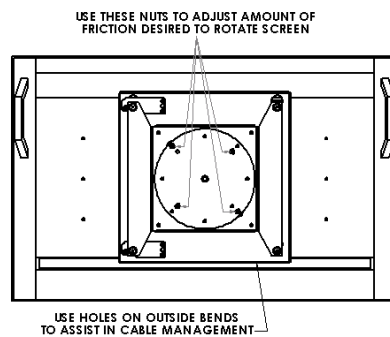


Figure 7

6. With the aid of another person, lift large flat panel display and CH-SPAC400 up to mount, aligning buttons of rotation accessory with slots in the mount.
7. Raise safety latch on mount to secure display, making sure latch is completely engaged.
8. If you wish to rotate screen the other way, take screen and rotation accessory from mount, rotate the back plate of the CH-SPAC400 by 90 degrees.
9. Install screen on mount.
10. Use holes on outside bends to tie wires for cable management. (See Figure 7).
11. On tilting mounts, you may have to increase friction on tilting mechanism since CH-SPAC400 adds depth to overall installation and roll adjustment on mount may need tightening.

