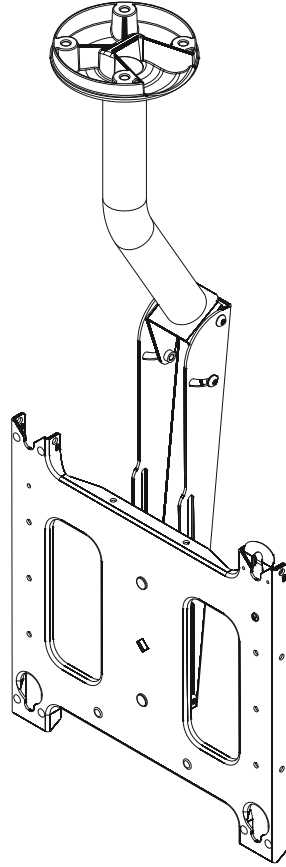


---

# INSTALLATION INSTRUCTIONS

---



---

## Plasma Ceiling Mount

---

---

**SONY**<sup>®</sup>

---

**CH-SPCM115**

---

## DISCLAIMER

Sony Electronics, Inc., and its affiliated corporations and subsidiaries (collectively, "Sony"), intend to make this manual accurate and complete. However, Sony makes no claim that the information contained herein covers all details, conditions or variations, nor does it provide for every possible contingency in connection with the installation or use of this product. The information contained in this document is subject to change without notice or obligation of any kind. Sony makes no representation of warranty, expressed or implied, regarding the information contained herein. Sony assumes no responsibility for accuracy, completeness or sufficiency of the information contained in this document.

## IMPORTANT WARNINGS AND CAUTIONS!

**WARNING:** A WARNING alerts you to the possibility of serious injury or death if you do not follow the instructions.

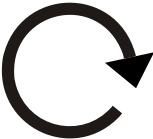
**CAUTION:** A CAUTION alerts you to the possibility of damage or destruction of equipment if you do not follow the corresponding instructions.

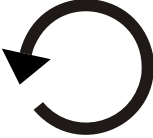
**WARNING:** Failure to read, thoroughly understand, and follow all instructions can result in serious personal injury, damage to equipment, or voiding of factory warranty! It is the installer's responsibility to make sure all components are properly assembled and installed using the instructions provided.


**WARNING:** Failure to provide adequate structural strength for the installation of this kit can result in serious personal injury or damage to equipment! It is the installer's responsibility to make sure the structure to which this mount is attached can support five times the combined weight of all equipment.


**WARNING:** Exceeding the weight capacity can result in serious personal injury or damage to equipment! It is the installer's responsibility to make sure the combined weight of all components attached to this mount does not exceed 200 lbs (91 kg).


## LEGEND


	Tighten Fastener
	Apretar elemento de fijación
	Befestigungsteil festziehen
	Apertar fixador
	Serrare il fissaggio
	Bevestiging vastdraaien
	Serrez les fixations
	Сожмите Застежку

	Loosen Fastener
	Afajar elemento de fijación
	Befestigungsteil lösen
	Desapertar fixador
	Allentare il fissaggio
	Bevestiging losdraaien
	Desserrez les fixations
	Ослабьте Застежку

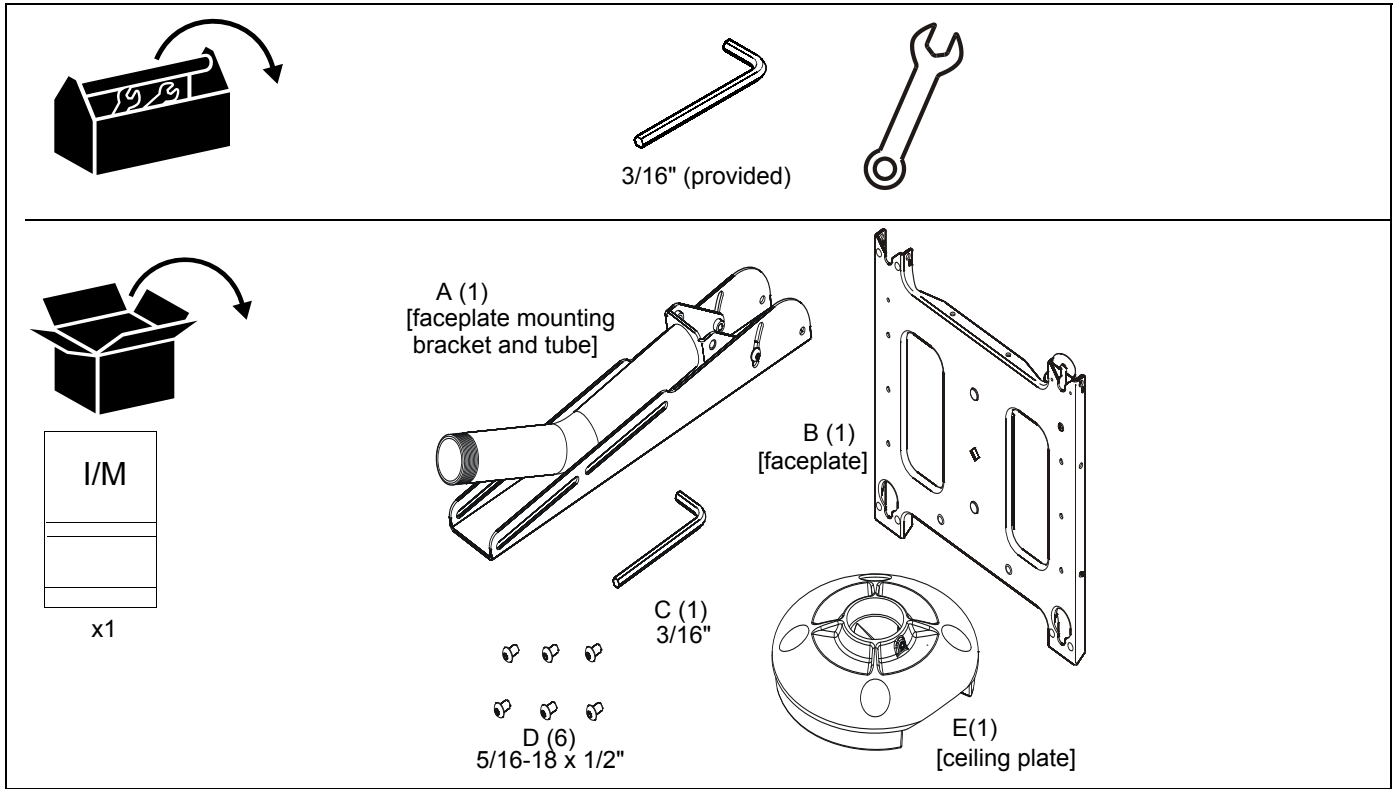
	Open-Ended Wrench
	Llave de boca
	Gabelschlüssel
	Chave de bocas
	Chiave a punta aperte
	Steeksleutel
	Clé à fourche
	Открытый Рылок

	Adjust
	Ajustar
	Einstellen
	Ajustar
	Regolare
	Afstellen
	Ajuster
	Приспособьтесь

	Hex-Head Wrench
	Llave de cabeza hexagonal
	Sechskantschlüssel
	Chave de cabeça sextavada
	Chiave esagonale
	Zeskantsleutel
	Clé à tête hexagonale
	Главный вельмой Рылок

	Phillips Screwdriver
	Destornillador Phillips
	Kreuzschlitzschraubendreher
	Chave de fendas Phillips
	Cacciavite a stella
	Kruiskopschroevendraaier
	Tournevis à pointe cruciforme
	Отвертка

**TOOLS REQUIRED FOR INSTALLATION AND PARTS**



**DIMENSIONS**

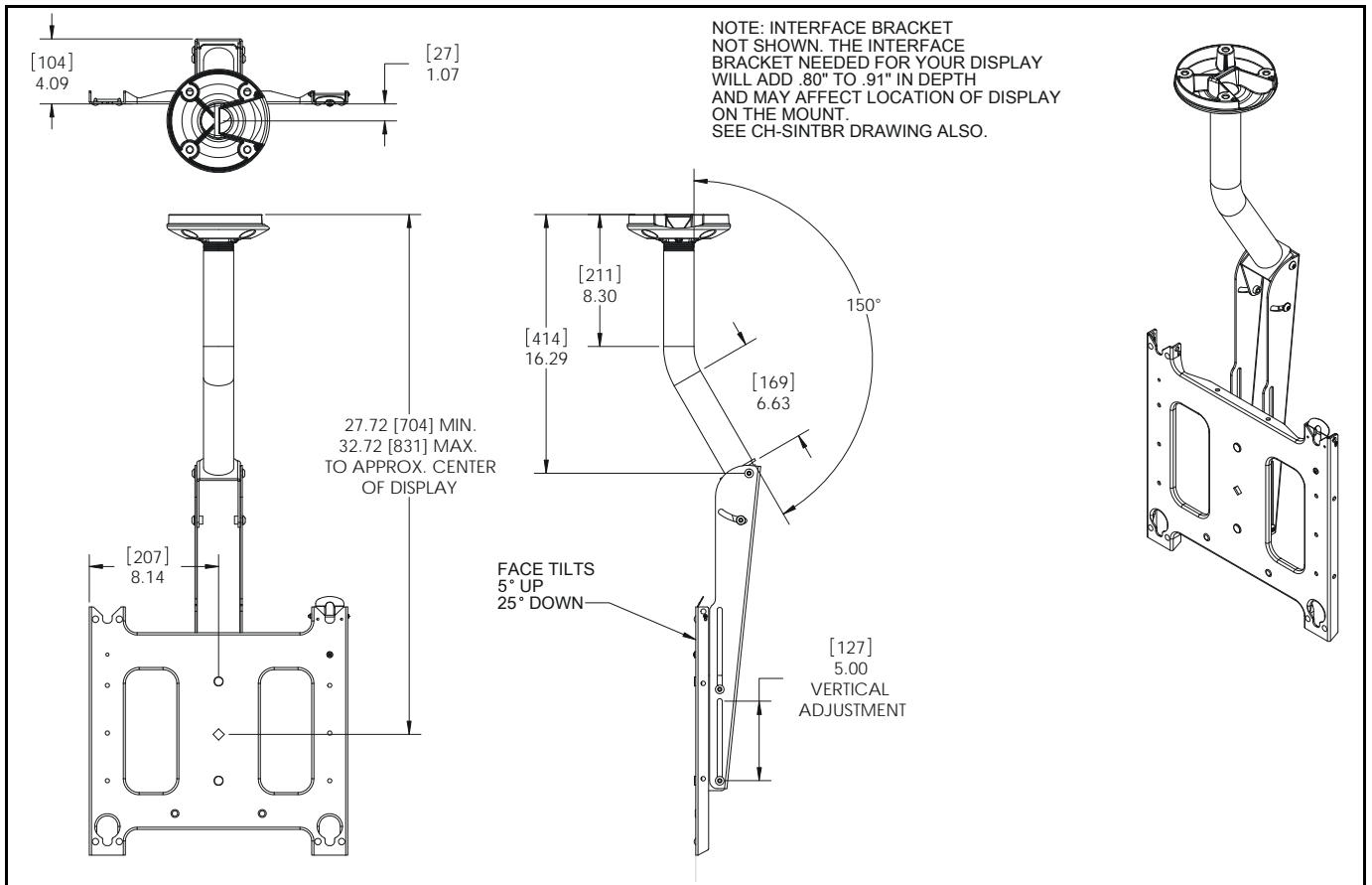


Figure 1

### Mount Assembly and Installation

1. Fold tube out until tube mounting bracket rests against faceplate mounting bracket. (See Figure 2)
2. Secure tube to faceplate mounting bracket using 3/16" hex wrench (C) and two 5/16-18 x 1/2" button head cap screws (D).
3. Tighten all hardware.

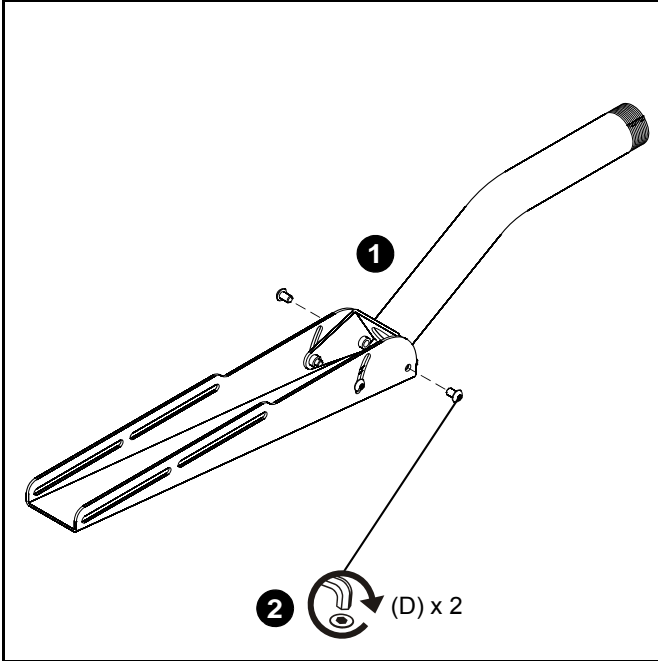


Figure 2

4. Thread the tube assembly (A) onto CMS-115 ceiling plate (E). (See Figure 3)

**NOTE:** Install CMS-115 plate to ceiling prior to attaching the tube assembly. See CMS-115 installation instructions for details.

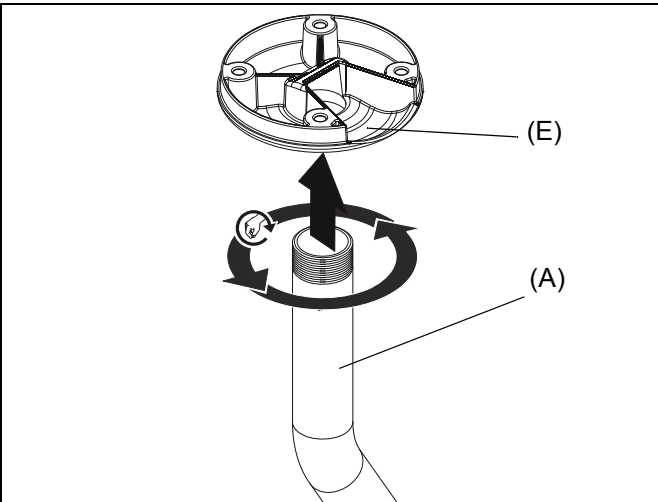


Figure 3

5. Secure faceplate (B) to faceplate mounting bracket using 3/16" hex wrench (C) and four 5/16-18 x 1/2" button head cap screws (D). (See Figure 4)

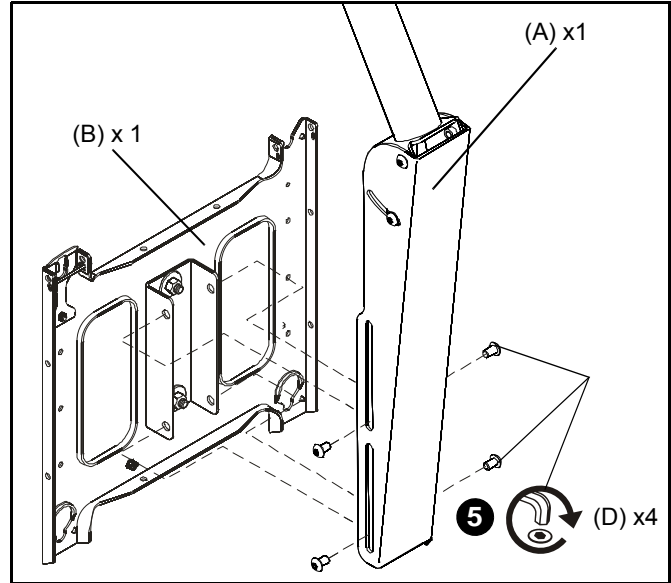


Figure 4

### Display Installation

**NOTE:** Prior to installing display to CH-SPCM, install CH-SINTBR interface bracket to display. See CH-SINTBR installation instructions for details.



**WARNING:** IMPROPER INSTALLATION CAN LEAD TO MOUNT FALLING CAUSING SEVERE PERSONAL INJURY OR DAMAGE TO EQUIPMENT. Displays can weigh in excess of 40 lbs (18.1kg). ALWAYS use two people and proper lifting techniques when installing display.



**WARNING:** IMPROPER INSTALLATION CAN LEAD TO MOUNT FALLING CAUSING SEVERE PERSONAL INJURY OR DAMAGE TO EQUIPMENT. Make sure mounting buttons on display are properly seated in mounting holes in faceplate.

To install display:

1. While supporting both sides of display, align four mounting buttons on display or interface bracket with four mounting holes in faceplate. (See Figure 5)
2. Lower display into place listening for audible "click" to ensure recessed area of mounting buttons are properly seated in lower area of mounting holes and "click lock" mechanism has engaged. (See Figures 4 and 5)

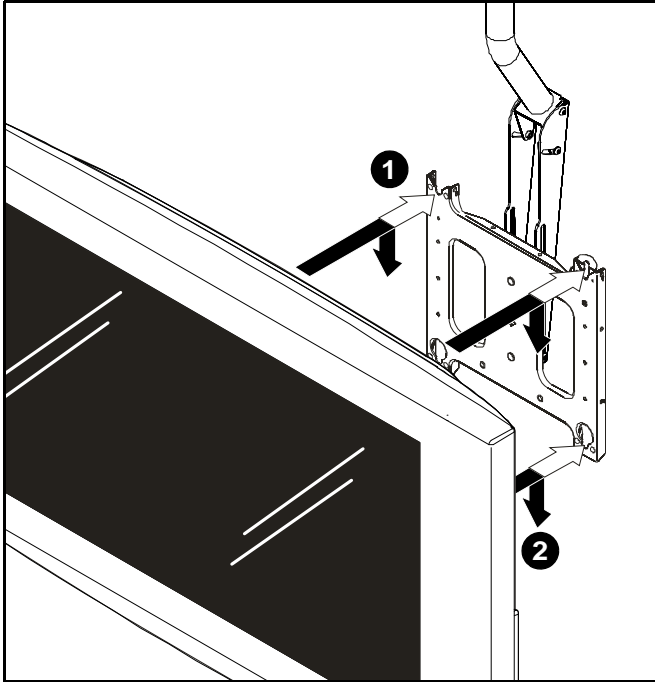


Figure 5

**NOTE:** Holes are provided in the faceplate for use with a padlock or similar locking device, if desired. In addition, the pin and nut may be removed from the upper holes and moved to the lower holes for use as a more permanent locking device. (See Figure 6)

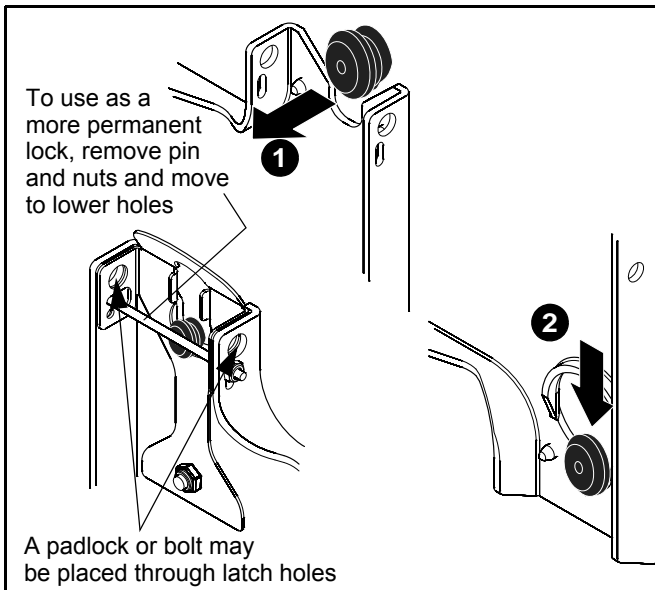


Figure 6

**Adjustments**

The PCM is designed to accommodate 5" of display height adjustment, 4° right and left display roll adjustment, and 15° down/5° up display pitch (Tilt) adjustment.

Remove display before performing adjustments.

**Display Height Adjustment**

To adjust display height:

1. Loosen four 5/16-18 button head cap screws using 3/16" hex wrench (C). (See Figure 7)
2. Adjust faceplate to desired position. (See Figure 7)
3. Tighten four 5/16-18 button head cap screws using 3/16" hex wrench (C). (See Figure 7)

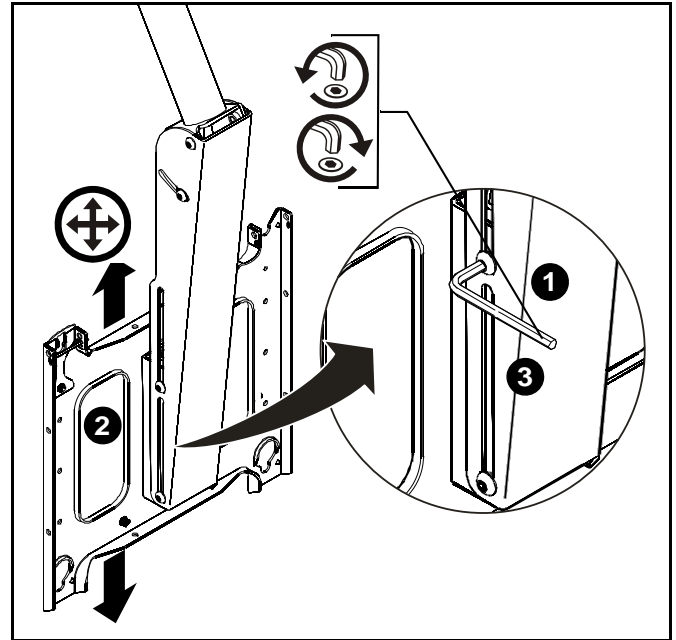


Figure 7

**Display Roll Adjustment**

To adjust display roll:

1. Loosen 3/8-16 Nylock nut. (See Figure 8)
2. Adjust faceplate to desired position. (See Figure 8)
3. Tighten 3/8-16 Nylock nut. (See Figure 8)

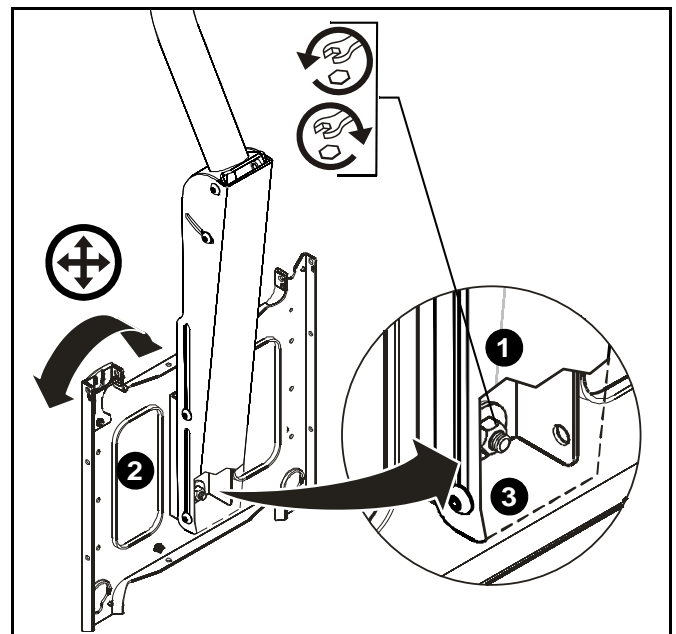


Figure 8

## Display Pitch (Tilt) Adjustment

To adjust display pitch:

1. Loosen four 5/16-18 button head cap screws.  
(See Figure 9)
2. Adjust to desired tilt position. (See Figure 9)
3. Tighten four 5/16-18 button head cap screws.  
(See Figure 9)

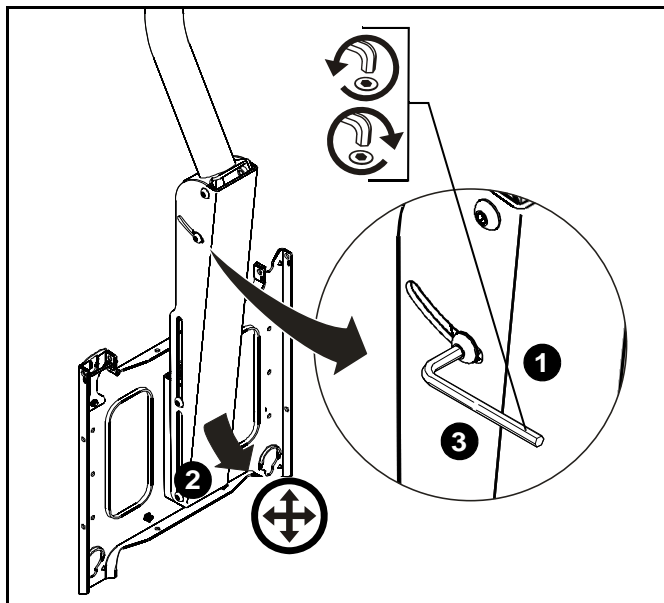


Figure 9



**SONY**<sup>®</sup>

8832-002014 REV 00  
05/09

**Sony Electronics Inc.**  
1 Sony Drive  
Park Ridge, NJ 07656  
201-930-1000  
[www.sony.com/displaysystems](http://www.sony.com/displaysystems)

