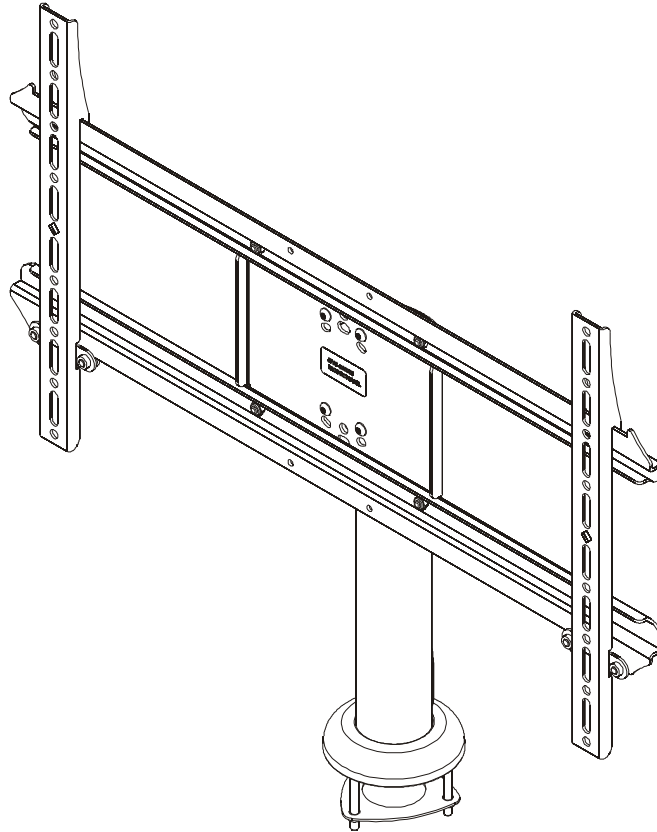

INSTALLATION INSTRUCTIONS



Large Hospitality Table Stand

SONY®

CH-SSTLU

DISCLAIMER

Sony Electronics, Inc., and its affiliated corporations and subsidiaries (collectively, "Sony"), intend to make this manual accurate and complete. However, Sony makes no claim that the information contained herein covers all details, conditions or variations, nor does it provide for every possible contingency in connection with the installation or use of this product. The information contained in this document is subject to change without notice or obligation of any kind. Sony makes no representation of warranty, expressed or implied, regarding the information contained herein. Sony assumes no responsibility for accuracy, completeness or sufficiency of the information contained in this document.

! IMPORTANT WARNINGS AND CAUTIONS!

! WARNING: A WARNING alerts you to the possibility of serious injury or death if you do not follow the instructions.

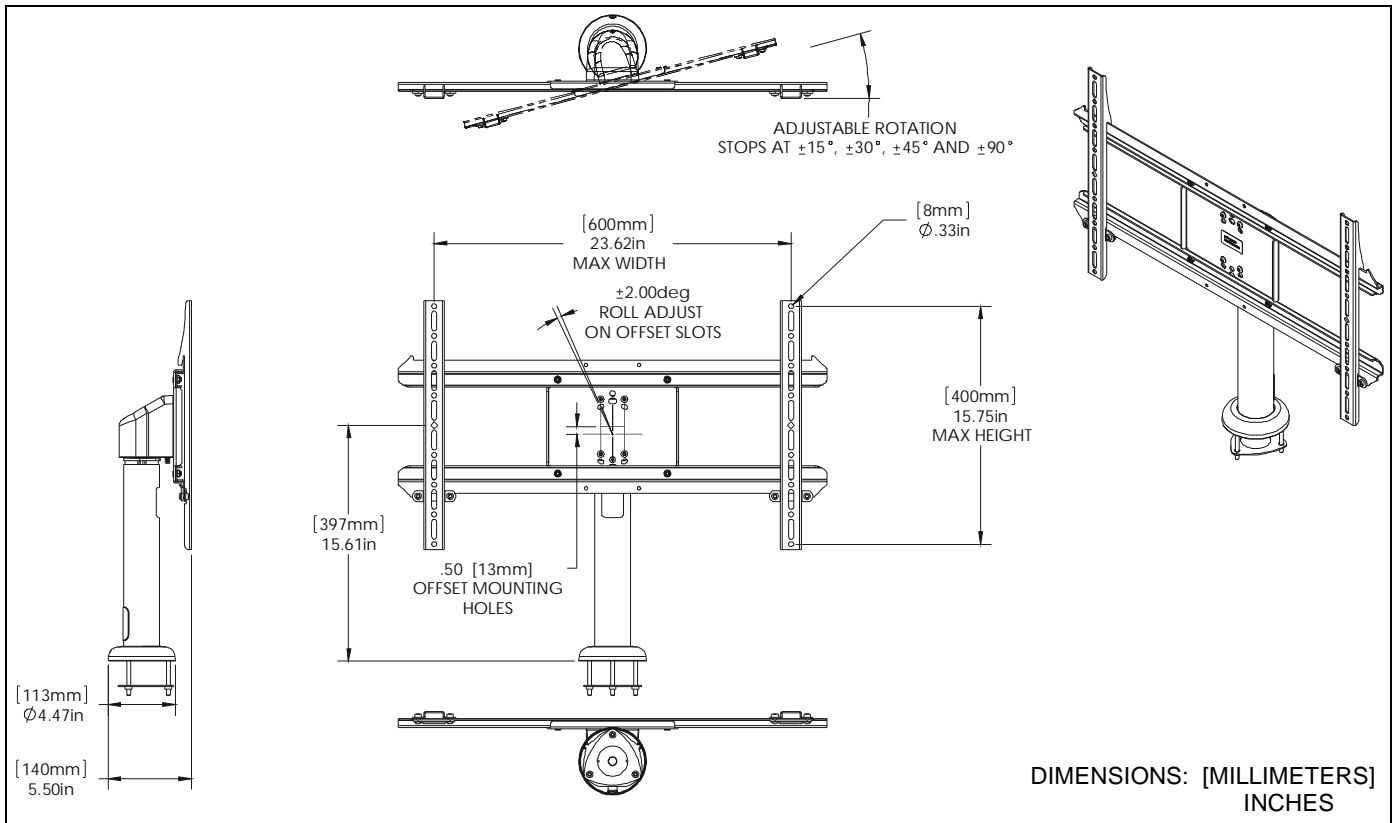
! CAUTION: A CAUTION alerts you to the possibility of damage or destruction of equipment if you do not follow the corresponding instructions.

! WARNING: Failure to read, thoroughly understand, and follow all instructions can result in serious personal injury, damage to equipment, or voiding of factory warranty! It is the installer's responsibility to make sure all components are properly assembled and installed using the instructions provided.



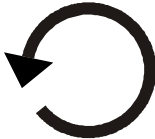









! WARNING: Failure to provide adequate structural strength for this component can result in serious personal injury or damage to equipment! It is the installer's responsibility to make sure the structure to which this component is attached can support five times the combined weight of all equipment. Reinforce the structure as required before installing the component.

! WARNING: Exceeding the weight capacity can result in serious personal injury or damage to equipment! It is the installer's responsibility to make sure the combined weight of all components located between the CH-SSTLU up to (and including) the display does not exceed 125 lbs (56.7 kg). Use with products heavier than the maximum weight indicated may result in collapse of the mount and its accessories causing possible injury.

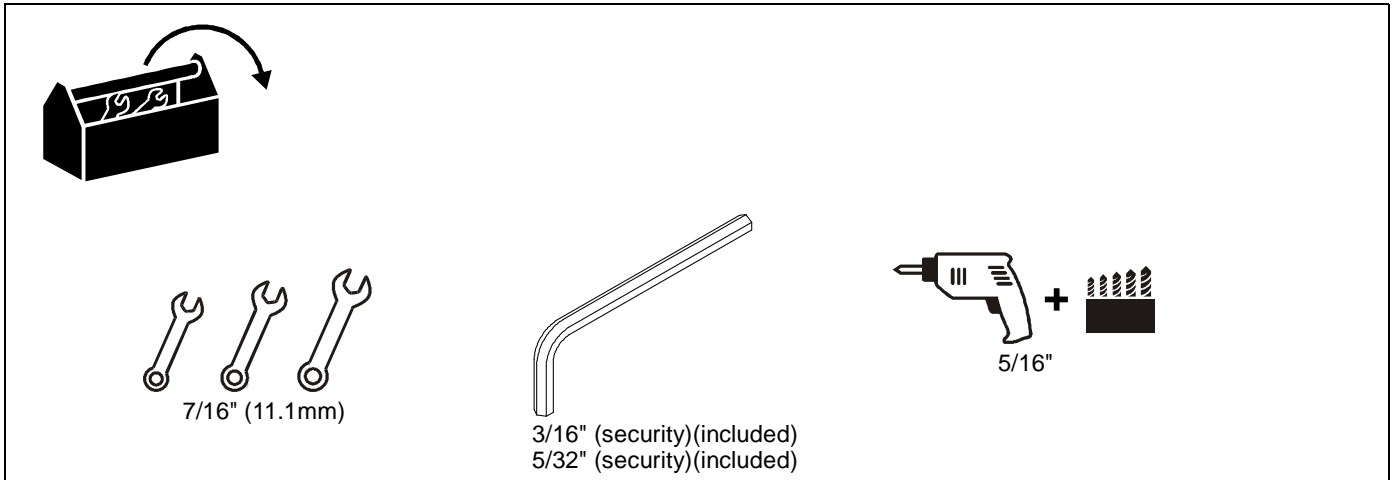
DIMENSIONS



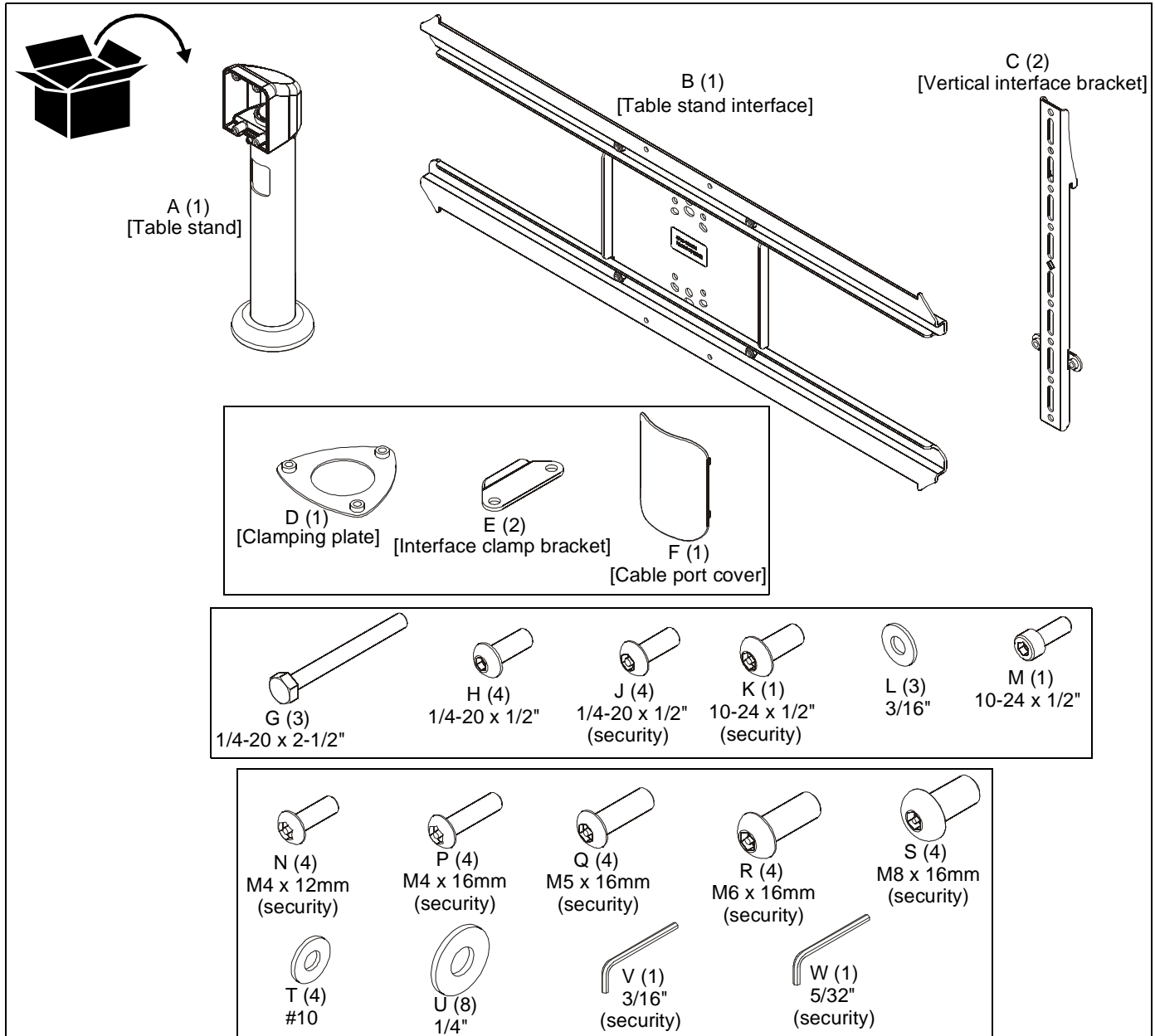
LEGEND

	<p>Tighten Fastener Apretar elemento de fijación Befestigungsteil festziehen Apertar fixador Serrare il fissaggio Bevestiging vastdraaien Serrez les fixations</p>		<p>Pencil Mark Marcar con lápiz Stiftmarkierung Marcar com lápis Segno a matita Potloodmerkteken Marquage au crayon</p>
	<p>Loosen Fastener Aflojar elemento de fijación Befestigungsteil lösen Desapertar fixador Allentare il fissaggio Bevestiging losdraaien Desserrez les fixations</p>		<p>Drill Hole Perforar Bohrloch Fazer furo Praticare un foro Gat boren Percez un trou</p>
	<p>Phillips Screwdriver Destornillador Phillips Kreuzschlitzschraubendreher Chave de fendas Phillips Cacciavite a stella Kruiskopschroevendraaier Tournevis à pointe cruciforme</p>		<p>Adjust Ajustar Einstellen Ajustar Regolare Afstellen Ajuster</p>
	<p>Open-Ended Wrench Llave de boca Gabelschlüssel Chave de bocas Chiave a punte aperte Steeksleutel Clé à fourche</p>		<p>Remove Quitar Entfernen Remover Rimuovere Verwijderen Retirez</p>
	<p>By Hand A mano Von Hand Com a mão A mano Met de hand À la main</p>		<p>Optional Opcional Optional Opcional Opzionale Optie En option</p>
	<p>Hex-Head Wrench Llave de cabeza hexagonal Sechskantschlüssel Chave de cabeça sextavada Chiave esagonale Zeskantsleutel Clé à tête hexagonale</p>		<p>Security Wrench Llave de seguridad Sicherheitsschlüssel Chave de segurança Chiave di sicurezza Veiligheidssleutel Clé de sécurité</p>

TOOLS REQUIRED FOR INSTALLATION



PARTS



ASSEMBLY TO DESK

1. Use four 1/4-20 x 1/2" button head cap screws (H) to secure table stand (A) to table stand interface (B). (See Figure 1)

NOTE: If roll adjustment is desired, install screws through rotational slots rather than the standard slots. (See Figure 1)

NOTE: In order to achieve a +/- 90° rotation radius while using the rotational slots, the radius adjustment screw must be removed and replaced with #10-24 x 1/2" socket head cap screw (M). (See Figure 1)

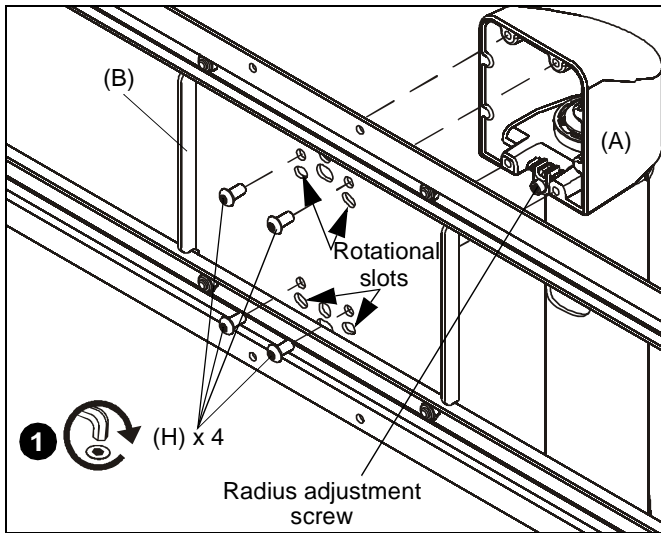


Figure 1

2. Determine mounting location by setting table stand on desk and experimenting with desired rotation capabilities.

NOTE: Rotation radius can be set at +/- 15°, 30°, 45°, or 90°. See **Dimensions** drawing for details.

3. Use clamping plate (D) as a template to mark locations for the three holes to be drilled at desired mounting location.
4. Drill three 5/16" holes at locations marked in Step 3. (See Figure 2)

NOTE: One hole should be centered at the front of the mount.

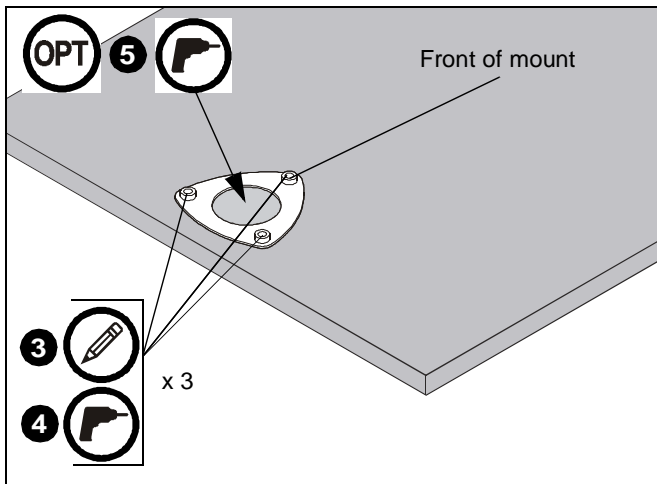


Figure 2

NOTE: If cables will be routed through the table, an additional hole needs to be drilled in center of clamping plate (D). See **Cable Management** section for details.

5. (Optional) If cables will be routed through the desk, drill an additional hole in the center of the clamping plate that is large enough to accommodate all cables that will be routed through the desk. (See Figure 2)

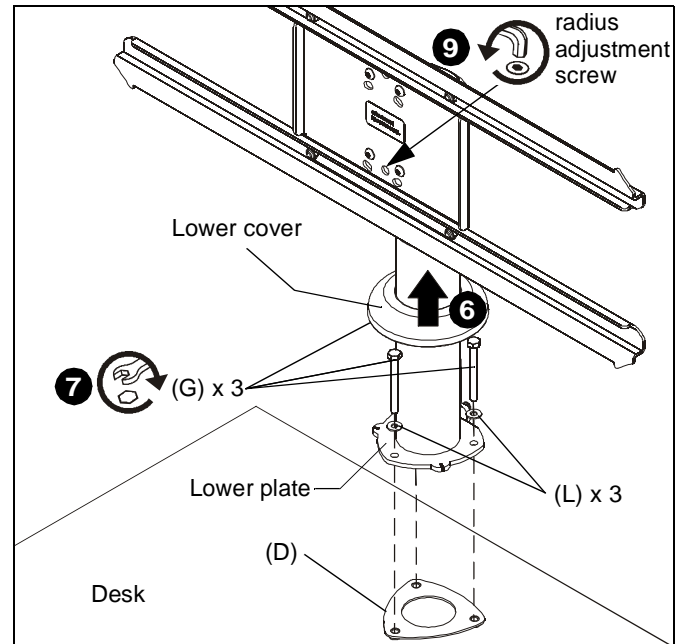


Figure 3

6. Lift lower cover on table stand to expose holes on lower plate. (See Figure 3)
7. Use three 1/4-20 x 2-1/2" hex head cap screws (G) and three 3/16" washers (L) to secure table stand through clamping plate (D) to desk. (See Figure 3)

IMPORTANT ! : Provided screws (G) can be used to install on surfaces up to 1-5/8" in depth. For deeper tables, longer 1/4-20" screws (not provided) must be used.

8. Secure lower cover to table stand (A) using 10-24 x 1/2" security screw (K). (See Figure 4)

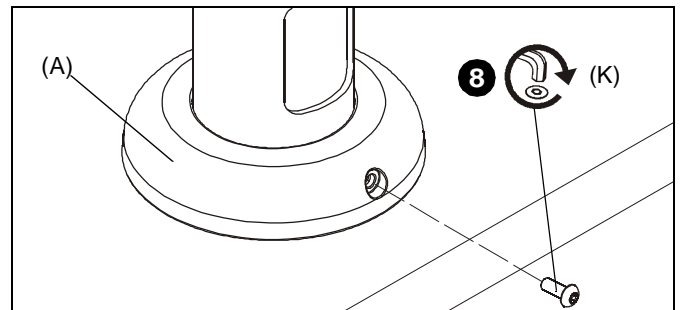


Figure 4

NOTE: Prior to installing display, the rotation radius should be adjusted. Once the display is connected, it will no longer be possible to adjust the rotational stop without removing the display from the mount.

- Use the 5/32" security hex key (W) to loosen rotational stop adjustment screw until desired radius is achieved. (See Figure 3) and (See Figure 5)

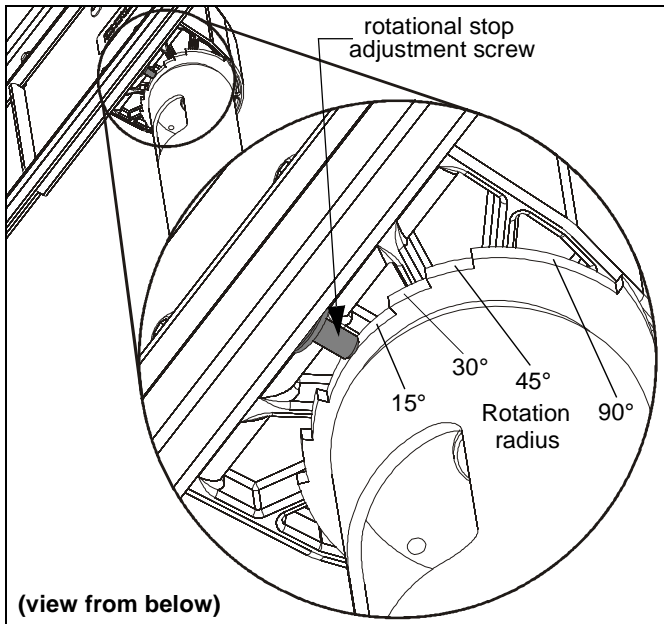


Figure 5

DISPLAY INSTALLATION

- Lay display face down on protective surface.



CAUTION: Using screws of improper diameter may damage your display! Proper screws will easily thread into display mounting holes.

- Select screw *diameter* by examining hardware (N-S) (4mm, 5mm, 6mm, or 8mm) and comparing with mounting holes on display. (See Figure 6)

- Select washers:

- Refer to the Table 1-1 to determine which washers (T or U) to use for display installation.

Table 1-1: Washer Usage

	M4	M5	M6
#10 (T)	X		
1/4" (U)	X	X	X



CAUTION: Using screws of improper length may damage your display! Proper screws will have adequate thread engagement without contacting bottom of display mounting holes.

- Select screw *length*: (for M4 screws only)

- Using your hand, insert M4x12mm button head security screw (N) through vertical interface bracket (C), washers (T or U), into display mounting hole. Do NOT thread screw into hole at this time.
- Proper screw length requires base of screw head to protrude above flat washer a *distance equal to or greater than the screw diameter*. If screw length is inadequate, use M4x16mm screw (P). Select *shortest* screw which will protrude the required distance.

- Place vertical interface brackets (C) on display, ensuring: (See Figure 6)

- Upper hooks are towards *top* of display.
- Center of brackets (C) are as close to the center of the back of display as possible after being installed. Center of bracket is indicated by the diamond-shaped hole.

- Install selected screws through washers (T and/or U, if required) vertical interface bracket (C) and into display mounting holes. (See Figure 6)

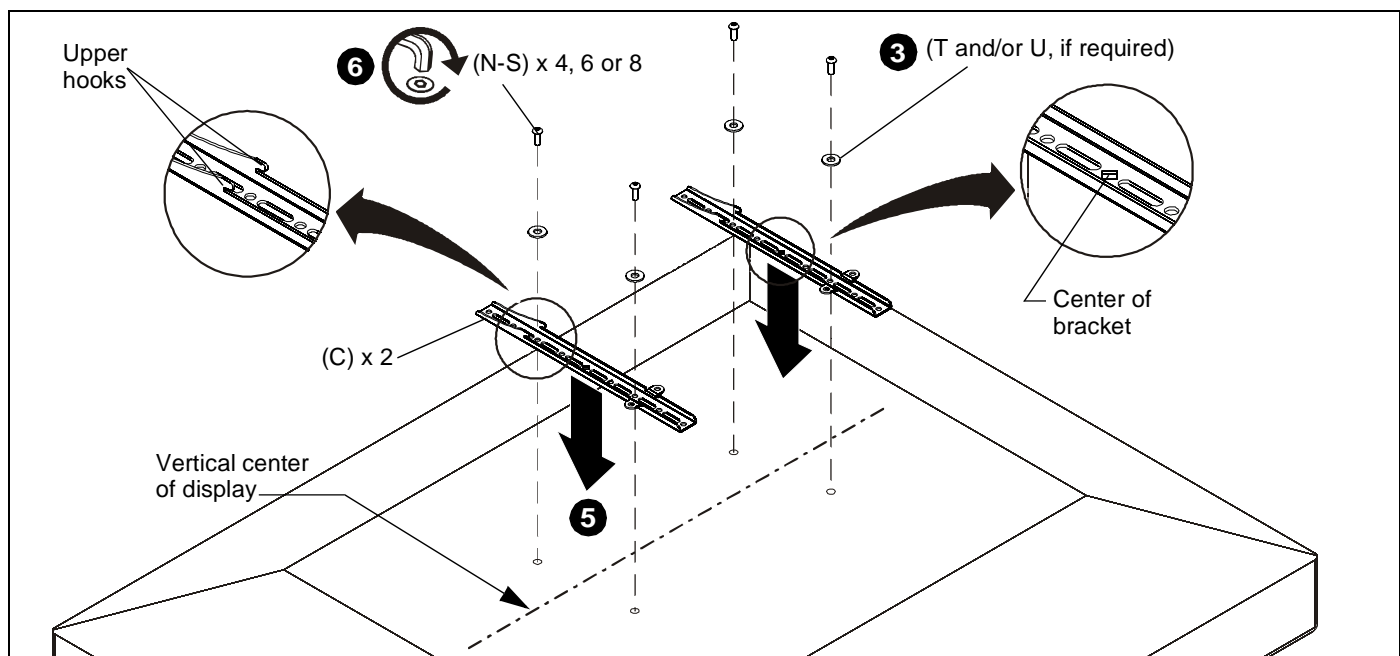


Figure 6

7. Hang display onto top rail of table stand interface (B) using hooks on top of vertical interface brackets (C). (See Figure 7)
8. Gently set back of display against lower rail of table stand interface. (See Figure 7)

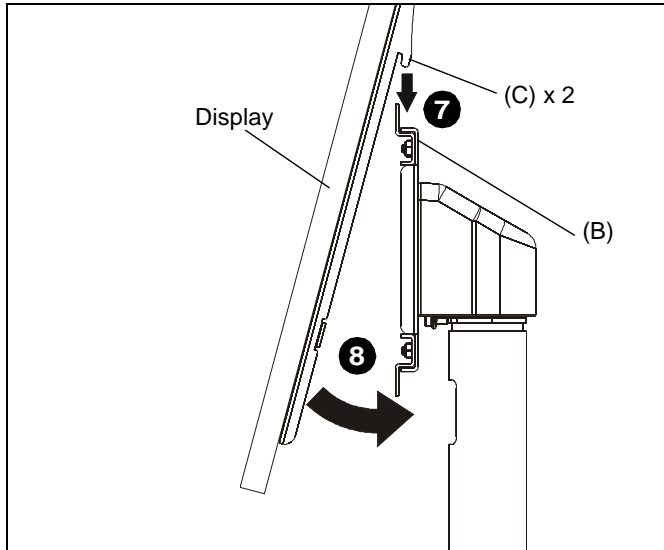


Figure 7

9. Use four 1/4-20 x 1/2" button head security cap screws (J) and two interface clamp brackets (E) to secure vertical interface brackets (C) to table stand interface (B). (See Figure 8)

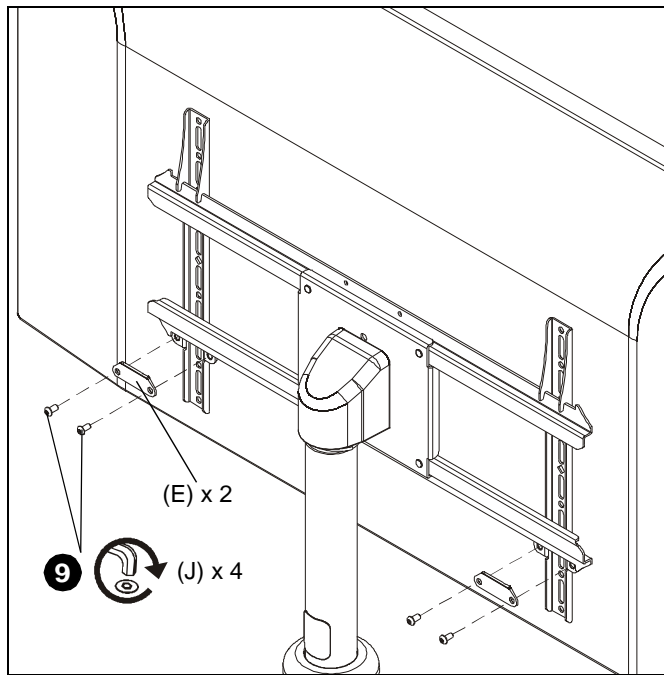


Figure 8

Cable Management

The CH-SSTLU can be set up for two types of cable management. One calls for the cables to be routed strictly through the pole portion of the table stand. The other routes the cables through the pole and through a pre-drilled hole in the desk.

Cable Management (pole only)

1. Route cables from display into upper hole on pole portion of table stand. (See Figure 9)
2. Route cables down the pole and out of lower hole. (See Figure 9)

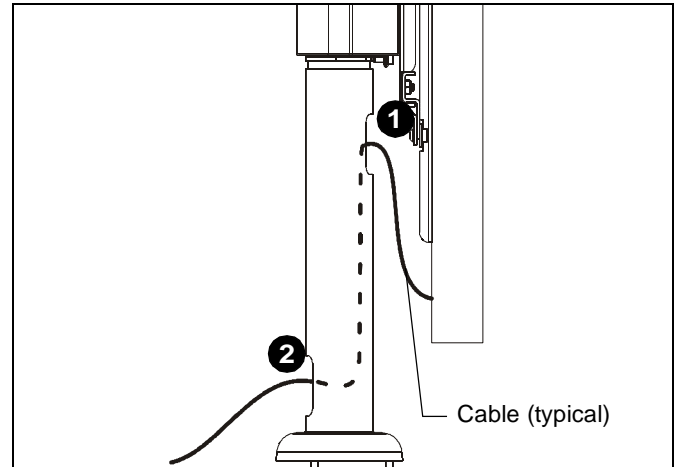


Figure 9

Cable Management (through desk)

1. Route cables from display into upper hole on pole portion of table stand. (See Figure 10)
2. Route cables down the pole and through hole drilled in desk during desk installation. (See Figure 10)
3. Install cable port cover (F) into lower hole on pole portion of table stand. (See Figure 10)

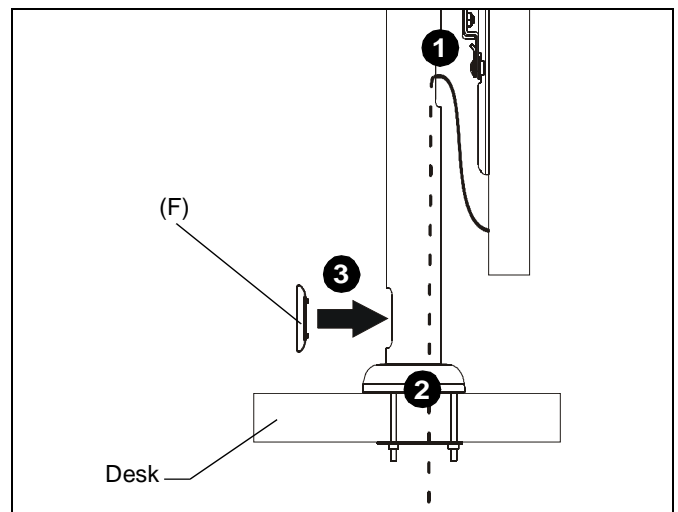


Figure 10

SONY[®]

Sony Electronics, Inc.

1 Sony Drive
Park Ridge, NJ 07656
201-930-1000
www.sony.com/displaysystems

8832-002069 Rev00
04/11

