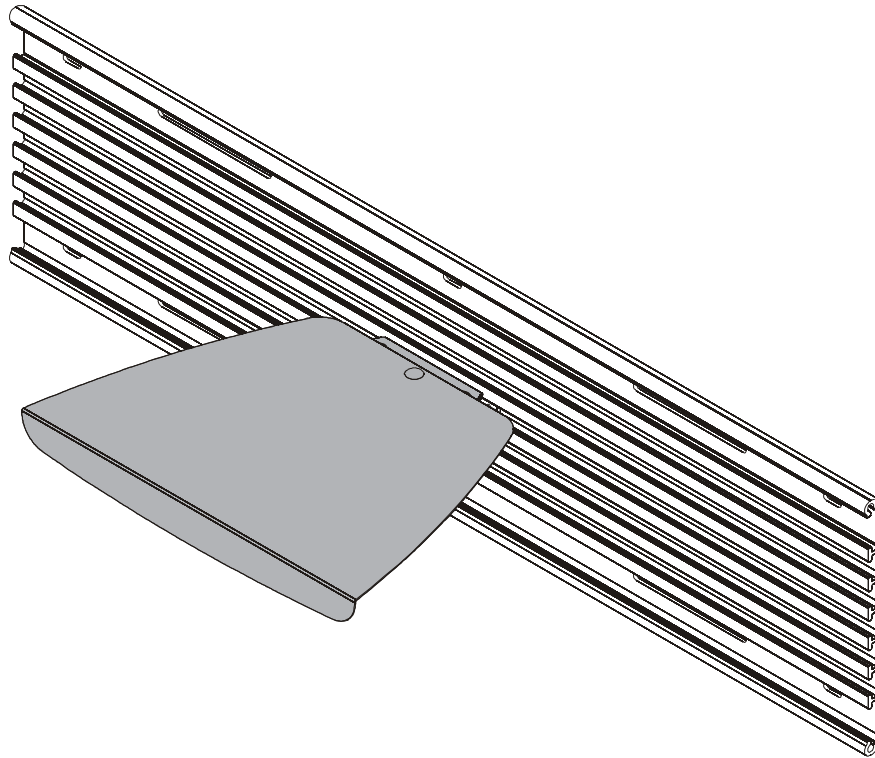

INSTALLATION INSTRUCTIONS




Shelf Accessory for Wall Track


DISCLAIMER


Milestone AV Technologies, Inc., and its affiliated corporations and subsidiaries (collectively, "Milestone"), intend to make this manual accurate and complete. However, Milestone makes no claim that the information contained herein covers all details, conditions or variations, nor does it provide for every possible contingency in connection with the installation or use of this product. The information contained in this document is subject to change without notice or obligation of any kind. Milestone makes no representation of warranty, expressed or implied, regarding the information contained herein. Milestone assumes no responsibility for accuracy, completeness or sufficiency of the information contained in this document.


Chief® is a registered trademark of Milestone AV Technologies. All rights reserved.


IMPORTANT WARNINGS AND CAUTIONS!

 **WARNING:** A WARNING alerts you to the possibility of serious injury or death if you do not follow the instructions.


 **CAUTION:** A CAUTION alerts you to the possibility of damage or destruction of equipment if you do not follow the corresponding instructions.


 **WARNING:** Failure to read, thoroughly understand, and follow all instructions can result in serious personal injury, damage to equipment, or voiding of factory warranty! It is the installer's responsibility to make sure all components are properly assembled and installed using the instructions provided.


 **WARNING:** Failure to provide adequate structural strength for this component can result in serious personal injury or damage to equipment! It is the installer's responsibility to make sure the structure to which this component is attached can support five times the combined weight of all equipment. Reinforce the structure as required before installing the component.


 **WARNING:** Exceeding the weight capacity can result in serious personal injury or damage to equipment! It is the installer's responsibility to make sure the combined weight of all components attached to this accessory does not exceed 20 lbs (9.1 kg).

LEGEND

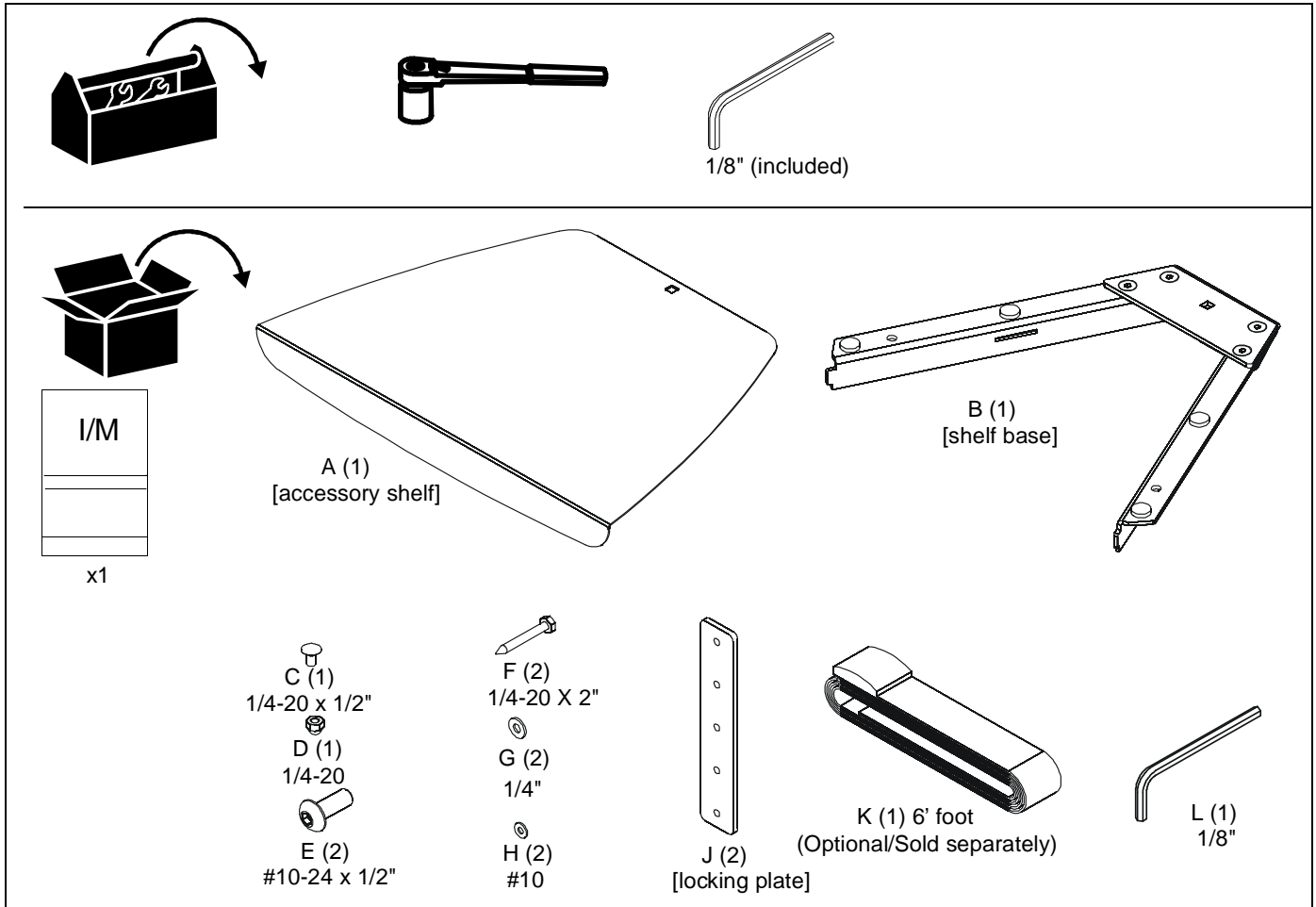
	Tighten Fastener
	Apretar elemento de fijación
	Befestigungsteil festziehen
	Apertar fixador
	Serrare il fissaggio
	Bevestiging vastdraaien
	Serrez les fixations

	Loosen Fastener
	Aflojar elemento de fijación
	Befestigungsteil lösen
	Desapertar fixador
	Allentare il fissaggio
	Bevestiging losdraaien
	Desserrez les fixations

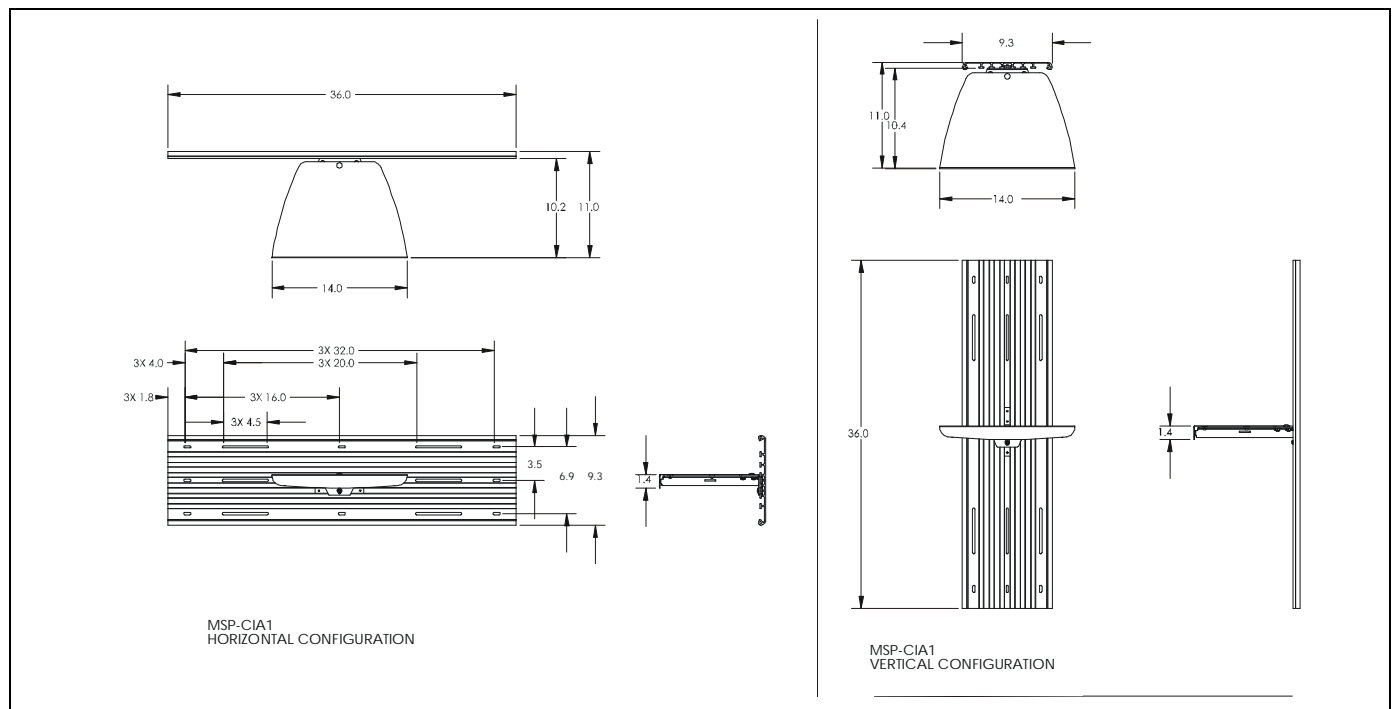
	Hex-Head Wrench
	Llave de cabeza hexagonal
	Sechskantschlüssel
	Chave de cabeça sextavada
	Chiave esagonale
	Zeskantsleutel
	Clé à tête hexagonale

	Open-Ended Wrench
	Llave de boca
	Gabelschlüssel
	Chave de bocas
	Chiave a punta aperte
	Steeksleutel
	Clé à fourche

TOOLS REQUIRED FOR INSTALLATION AND PARTS



Dimensions



Installation



WARNING: IMPROPER INSTALLATION CAN LEAD TO EQUIPMENT FALLING CAUSING SERIOUS PERSONAL INJURY OR DAMAGE TO EQUIPMENT! DO NOT substitute hardware! Use only hardware provided by manufacturer.

Shelf Base Installation

MSP-CIA1 Shelf Base Installation

1. Place locking plate(s) (J) in wall track at desired mounting location. (See Figure 1)

NOTE: Two plates must be used for mounting to horizontal wall track while only one plate is required for vertical wall track installation.

2. Use two #10-24 x 1/2" button head cap screws (E) and two #10 washers (H) to attach shelf base (B) to locking plate(s). (See Figure 1)

NOTE: Use centrally located holes on locking plate(s), if possible, to ensure a secure installation.

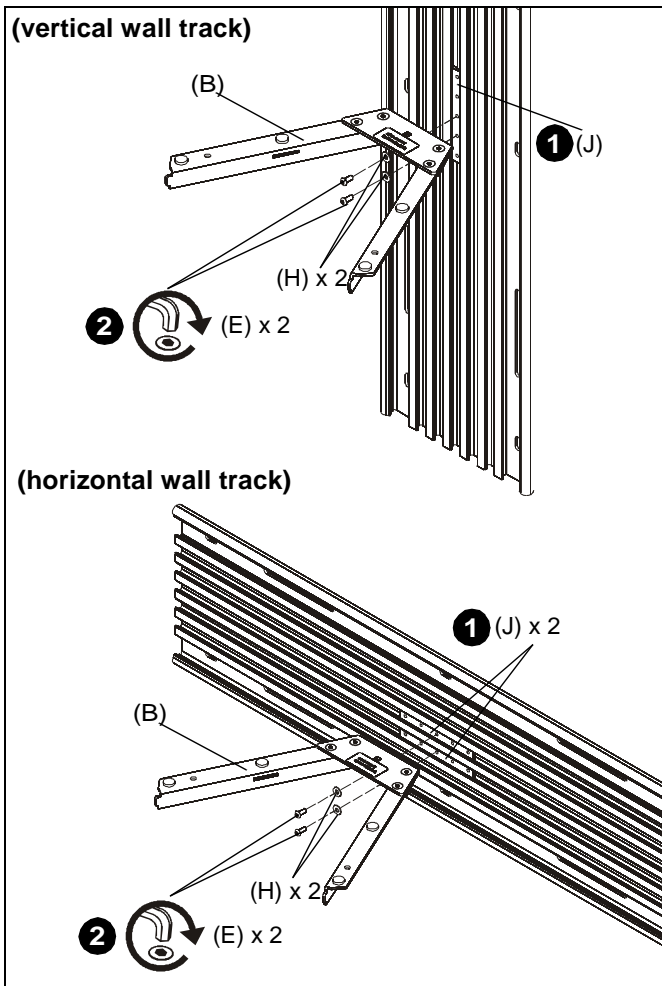


Figure 1

Attach Shelf to Shelf Base

1. Align square mounting hole in shelf (A) with mounting hole in top of shelf base (B). (See Figure 2)

2. Secure shelf (A) to shelf base (B) using 1/4-20 x 1/2" carriage bolt (C) and 1/4-20" lock nut (D). (See Figure 2)

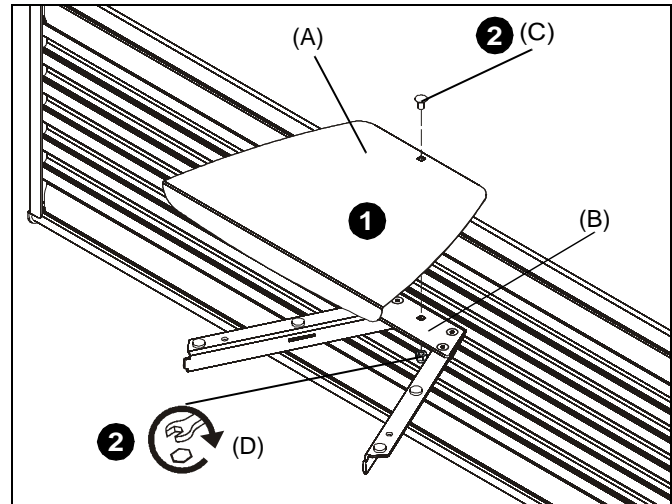


Figure 2

Install Optional Strap (not included)

To install the optional strap (K) not included:

1. Place equipment on shelf (A). (See Figure 3)

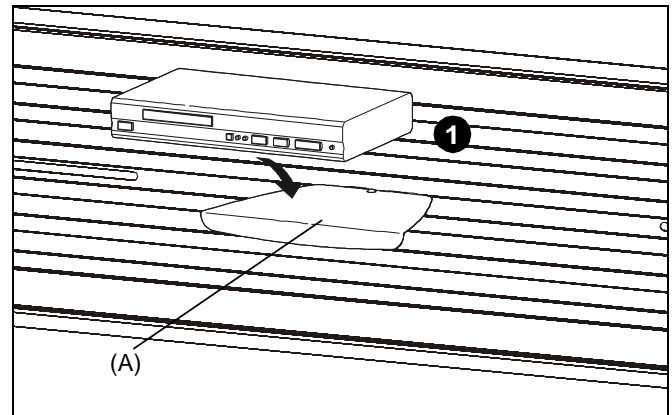


Figure 3

2. Thread strap (K) through slots in shelf base (B). (See Figure 4)

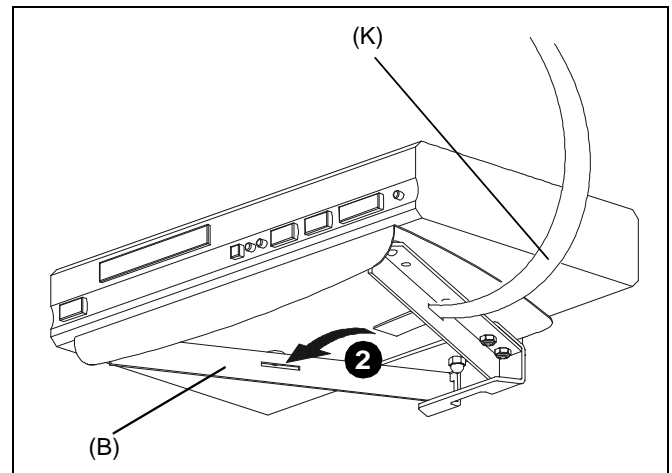


Figure 4

3. Loop strap (K) over top of equipment and slide strap end into clasp. (See Figure 5)

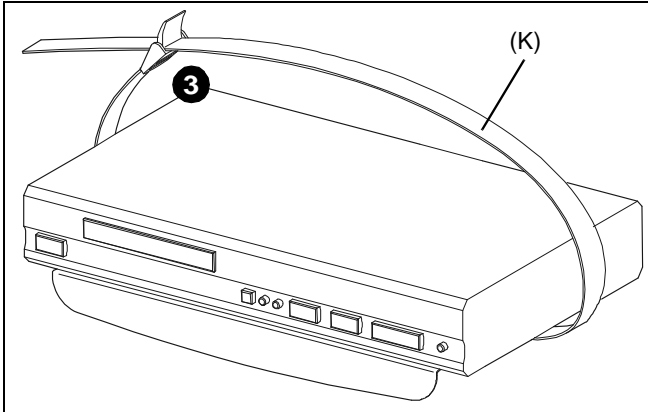


Figure 5

4. Pull strap (K) until tight around equipment and press clasp closed to secure. (See Figure 6)

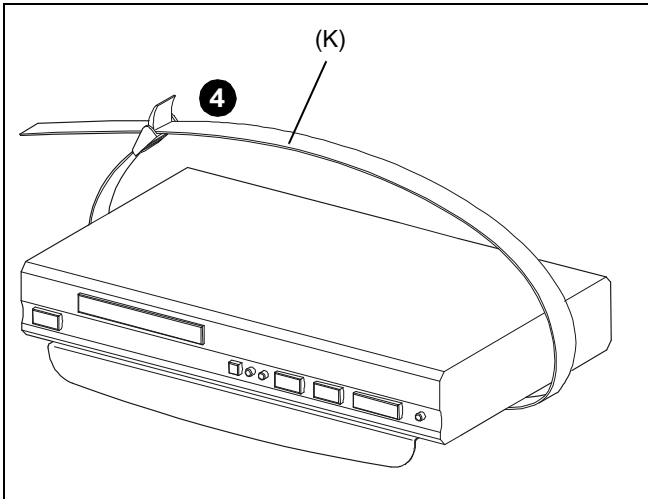


Figure 6



Our Mounts. **Your Vision.**

Chief Manufacturing, a products division
of Milestone AV Technologies

8832-002038 Rev00

©2010 Milestone AV Technologies, a
Duchossois Group Company

www.chiefmfg.com

08/10

USA/International	A 8401 Eagle Creek Parkway, Savage, MN 55378
	P 800.582.6480 / 952.894.6280
	F 877.894.6918 / 952.894.6918
Europe	A Fellenoord 130 5611 ZB EINDHOVEN, The Netherlands
	P +31 (0)40 2668620
	F +31 (0)40 2668615
Asia Pacific	A Office No. 1 on 12/F, Shatin Galleria 18-24 Shan Mei Street Fotan, Shatin, Hong Kong
	P 852 2145 4099
	F 852 2145 4477

