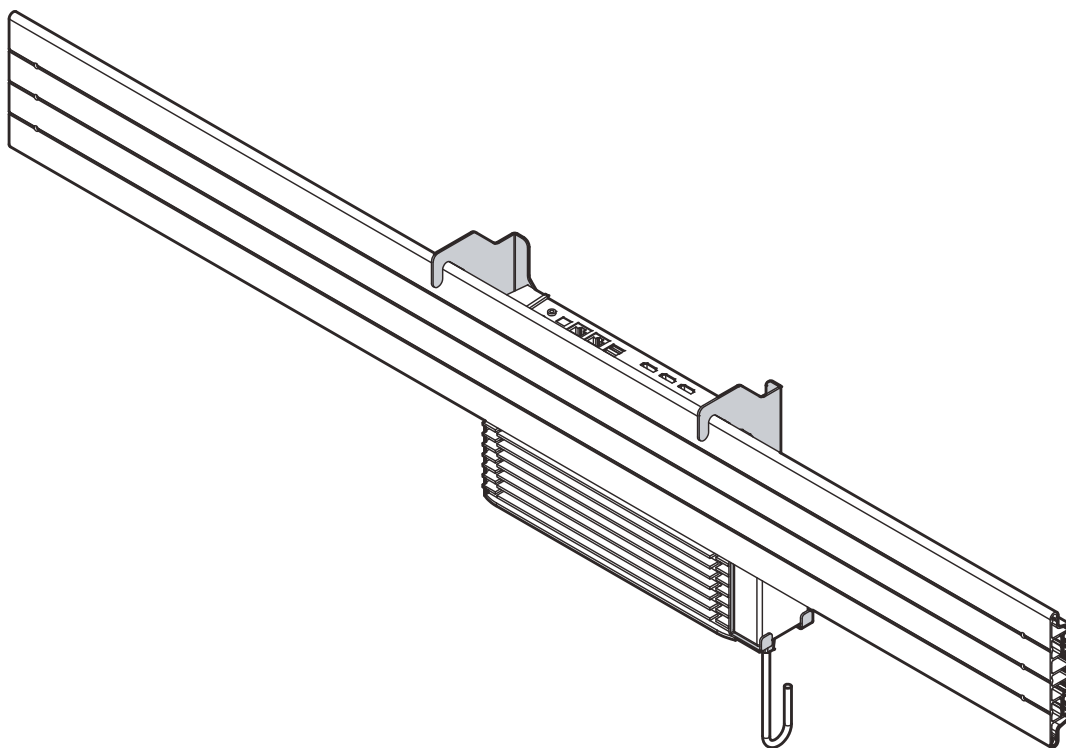

INSTALLATION INSTRUCTIONS



Media Player Holder Accessory

DISCLAIMER

Milestone AV Technologies and its affiliated corporations and subsidiaries (collectively "Milestone"), intend to make this manual accurate and complete. However, Milestone makes no claim that the information contained herein covers all details, conditions or variations, nor does it provide for every possible contingency in connection with the installation or use of this product. The information contained in this document is subject to change without notice or obligation of any kind. Milestone makes no representation of warranty, expressed or implied, regarding the information contained herein. Milestone assumes no responsibility for accuracy, completeness or sufficiency of the information contained in this document.

Chief® is a registered trademark of Milestone AV Technologies. All rights reserved.

NDiS B533™ is a trademark of NEXCOM International Co., Ltd.

DEFINITIONS

WARNING: A WARNING alerts you to the possibility of serious injury or death if you do not follow the instructions.

CAUTION: A CAUTION alerts you to the possibility of damage or destruction of equipment if you do not follow the corresponding instructions.

MOUNTING SYSTEM: A MOUNTING SYSTEM is the primary Chief product to which an accessory and/or component is attached.

ACCESSORY: AN ACCESSORY is the secondary Chief product which is attached to a primary Chief product, and may have a component attached or setting on it.

COMPONENT: A COMPONENT is an audiovisual item designed to be attached or resting on an accessory or mounting system such as a video camera, CPU, screen, display, projector, etc.



IMPORTANT SAFETY INSTRUCTIONS



WARNING: A WARNING alerts you to the possibility of serious injury or death if you do not follow the instructions.



CAUTION: A CAUTION alerts you to the possibility of damage or destruction of equipment if you do not follow the corresponding instructions.



WARNING: Failure to read, thoroughly understand, and follow all instructions can result in serious personal injury, damage to equipment, or voiding of factory warranty! It is the installer's responsibility to make sure all accessories are properly assembled and installed using the instructions provided.



WARNING: Exceeding the weight capacity can result in serious personal injury or damage to equipment! The MSP-CINFCAD1 is designed ONLY to hold the Nexcom NDiS B533 digital signage player.



WARNING: Use this accessory only for its intended use as described in these instructions. Do not use attachments not recommended by the manufacturer.



WARNING: Never operate this accessory if it is damaged. Return the accessory to a service center for examination and repair.

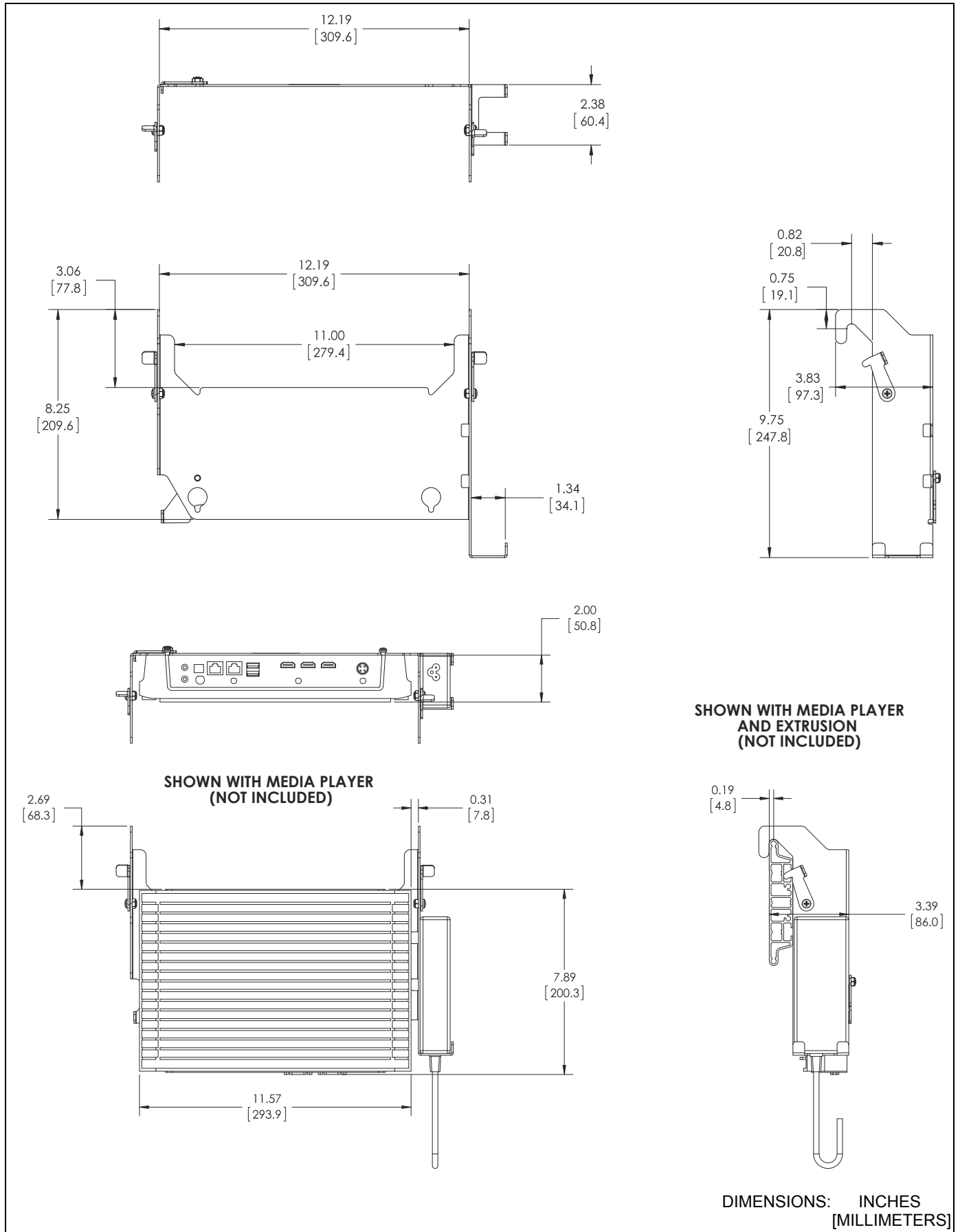


WARNING: Do not use this product outdoors.

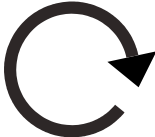



IMPORTANT ! : The MSP-CINFCAD1 is designed to ONLY hold a Nexcom NDiS B533 digital signage player onto a Chief LWM, LCM, LVM, or LBM Series mounting system.

--SAVE THESE INSTRUCTIONS--

DIMENSIONS



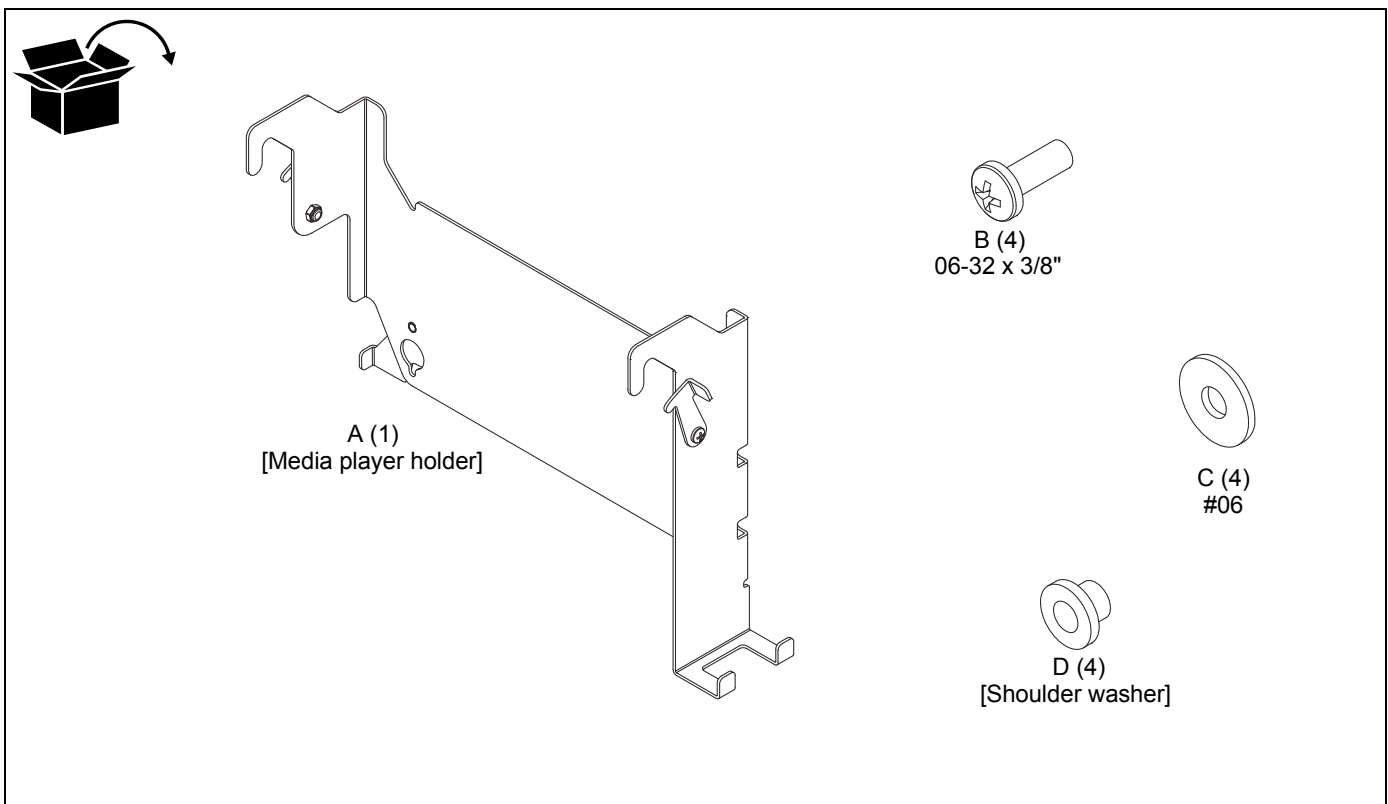
LEGEND

	Tighten Fastener		Phillips Screwdriver
	Apretar elemento de fijación		Destornillador Phillips
	Befestigungsteil festziehen		Kreuzschlitzschraubendreher
	Apertar fixador		Chave de fendas Phillips
	Serrare il fissaggio		Cacciavite a stella
	Bevestiging vastdraaien		Kruiskopschroevendraaier
Serrez les fixations	Tournevis à pointe cruciforme		
	Loosen Fastener		By Hand
	Aflojar elemento de fijación		A mano
	Befestigungsteil lösen		Von Hand
	Desapertar fixador		Com a mão
	Allentare il fissaggio		A mano
	Bevestiging losdraaien		Met de hand
Desserrez les fixations	À la main		

TOOLS REQUIRED FOR INSTALLATION



PARTS



ASSEMBLY AND INSTALLATION

1. Attach four #06 flat washers (C) and four shoulder washers (D) to Nexcom NDiS B533 digital signage player (not included) using four 06-32 x 3/8" Phillips machine cap screws (B). (See Figure 1)

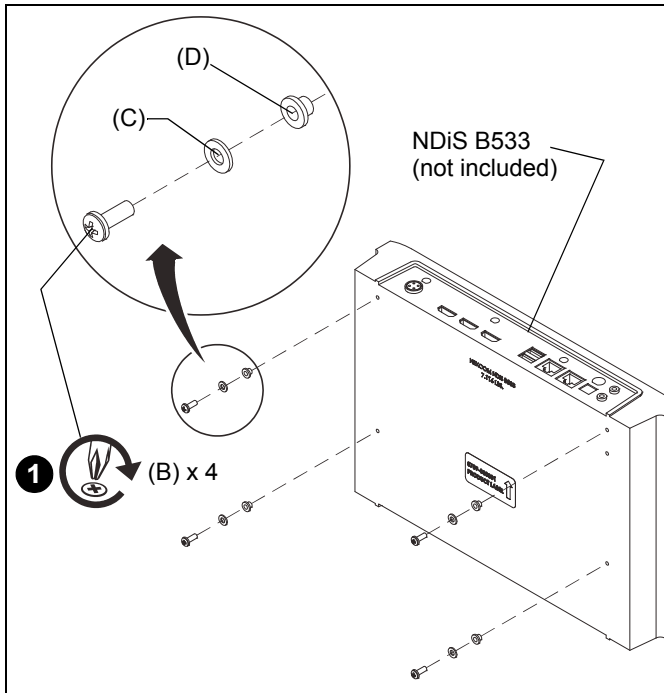


Figure 1

2. Raise flag at bottom of player holder (A) to OPEN position. (See Figure 2)

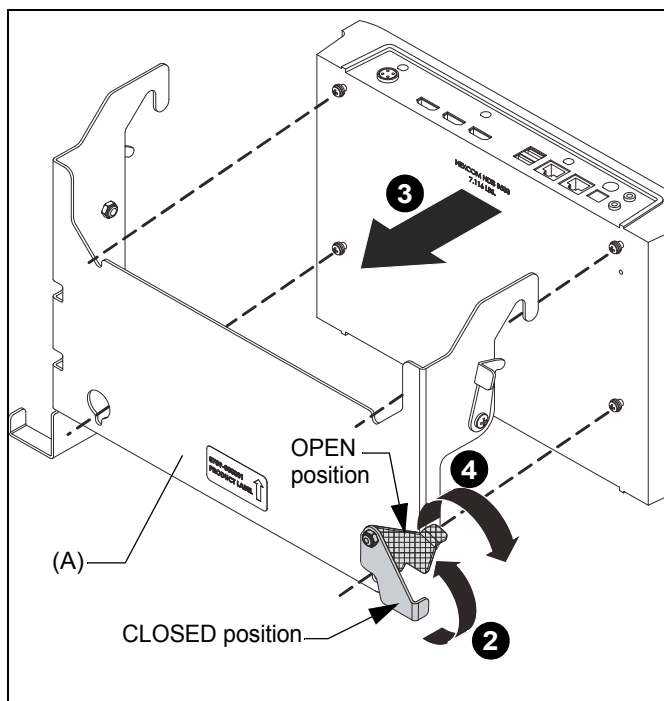


Figure 2

3. Align mounting hardware on digital player with the four mounting areas on the player holder (A) and lower digital player into place, ensuring that attached hardware is properly seated in lower area of mounting holes. (See Figure 2)
4. Lower flag to hook over hardware on player and hold digital player in place. (See Figure 2)
5. Add power supply to side of player holder (A).
6. Lower player holder (A) with digital player over extrusion, ensuring both hooks are placed over the extrusion. (See Figure 3)
7. Rotate upper flags (on each side of holder) into extrusion to lock player into place. (See Figure 3)

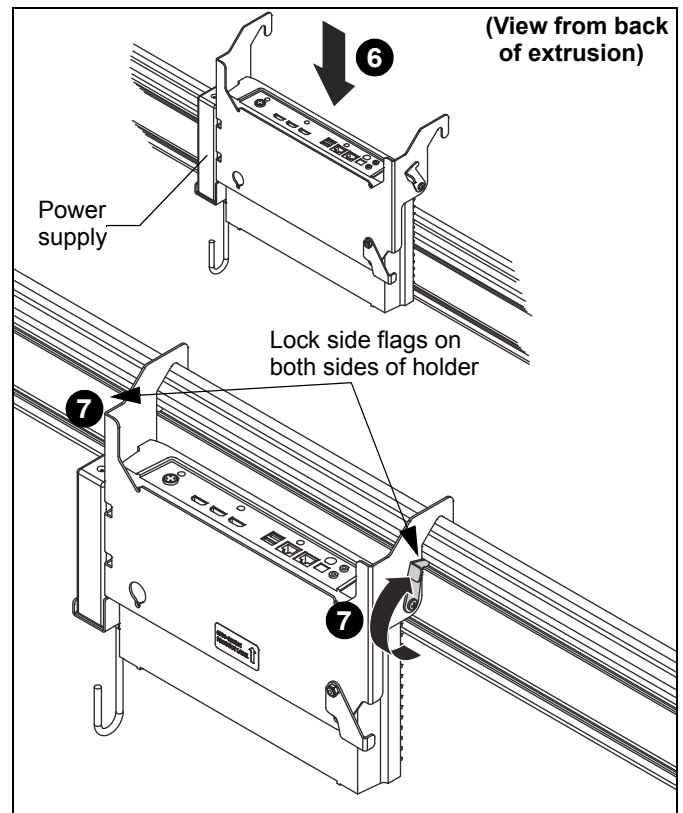


Figure 3

Removing Digital Player for Maintenance

NOTE: The digital player may be removed from the player holder (A) WITHOUT removing the player holder from the extrusion.

1. Move flag at bottom of player holder to OPEN position. (See Figure 2)

2. Raise digital player slightly to raise hardware from lower area of mounting holes, and then lower digital player from player holder (A). (See Figure 4)

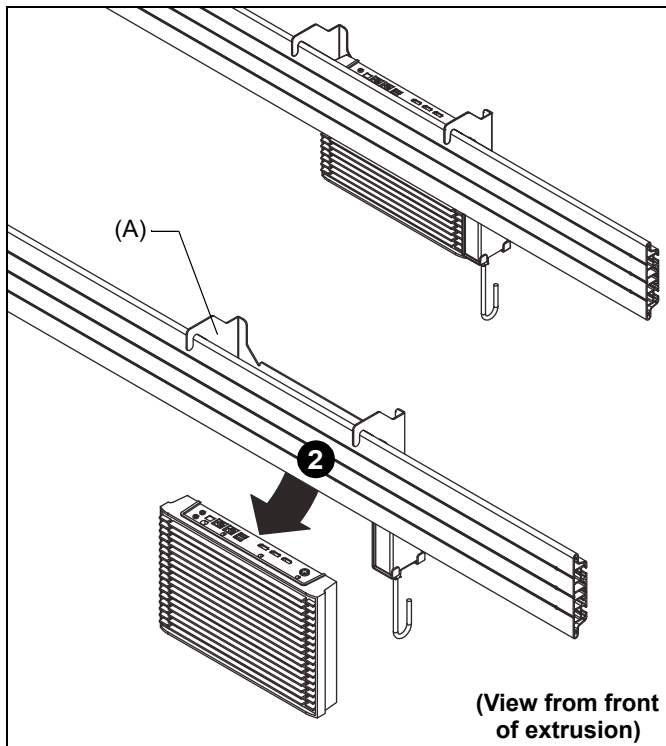


Figure 4

3. Reverse Steps 1 and 2 to return digital player to player holder while holder is still attached to the extrusion.



Our Mounts. **Your Vision.**

Chief, a products division of
Milestone AV Technologies

8800-002808 Rev00
©2016 Milestone AV Technologies
www.chiefmfg.com
01/16

USA/International	A 6436 City West Parkway, Eden Prairie, MN 55344 P 800.582.6480 / 952.225.6000 F 877.894.6918 / 952.894.6918
Europe	A Franklinstraat 14, 6003 DK Weert, Netherlands P +31 (0) 495 580 852 F +31 (0) 495 580 845
Asia Pacific	A Office No. 918 on 9/F, Shatin Galleria 18-24 Shan Mei Street Fotan, Shatin, Hong Kong P 852 2145 4099 F 852 2145 4477

