



INSTALLATION INSTRUCTIONS

# MSP-CM6HABPK

## Counter Weight Pulley Security Kit

Prior to assembly, unpack carton completely and verify contents.  
If you are missing any of the following components, please contact Customer Service at 1-800/582-6480

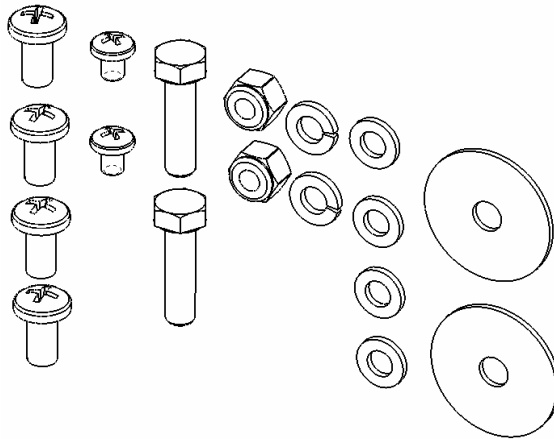


Figure 1

(2) ¼-20 x 1.00" Hex Head Cap Screw (8201-000740)  
(2) ¼-20 Nylock Nut (8202-000010)  
(2) ¼ Split Lock Washer (8203-000029)  
(2) #10-32 x .25" Phillips Screw (8201-000753)

(4) Steel Washer (8203-000058)  
(2) ¼ Fender Washer (8203-000195)  
(4) ¼-20x .50" Phillips Screw (8201-000309)

**BEFORE PROCEEDING, READ INSTALLATION INSTRUCTIONS COMPLETELY**

## **CAUTION!** FLAT PANEL DISPLAYS ARE EXTREMELY FRAGILE.

1. Follow Habersham instructions for how to access the lift tracks
2. Disconnect the power to the lift.
3. Manually move the door panel until Wheel Bracket mounting hole aligns with mounting hole in the track behind it. Then secure Wheel Bracket to the track using #10-32 x .25" Phillips Pan Head Screws (1 screw per side, see fig. 2)
4. Using ¼-20x .50" Phillips Pan Head Screws, secure the counter weight to the track (2 screws per side, see fig. 2)
5. Disassemble the counter weight cable pulley located at the top of each side of the lift (see fig. 3)
6. Reassemble the counter weight cable pulley as shown in fig. 4
7. Remove counter weight mounting screws (4) and wheel plate mounting screws (2)
8. Reassemble the cabinet.

