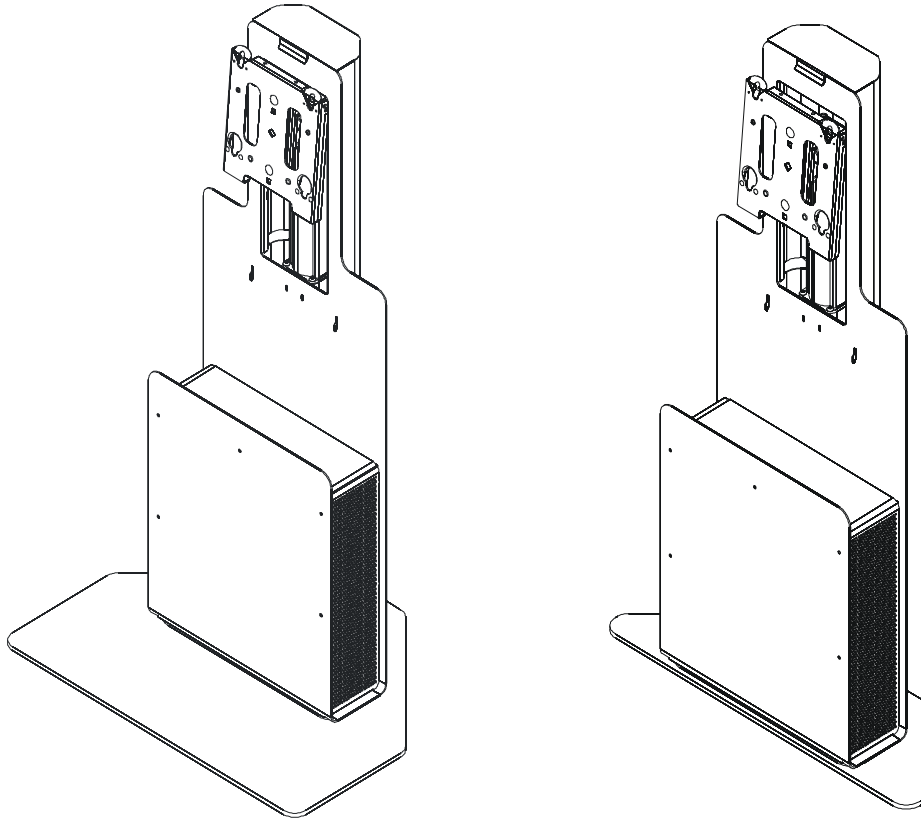

INSTALLATION INSTRUCTIONS



Freestanding and Wall Mount Floor Stands

DISCLAIMER

Milestone AV Technologies and its affiliated corporations and subsidiaries (collectively, "Milestone"), intend to make this manual accurate and complete. However, Milestone makes no claim that the information contained herein covers all details, conditions or variations, nor does it provide for every possible contingency in connection with the installation or use of this product. The information contained in this document is subject to change without notice or obligation of any kind. Milestone makes no representation of warranty, expressed or implied, regarding the information contained herein. Milestone assumes no responsibility for accuracy, completeness or sufficiency of the information contained in this document.

Chief® and ClickConnect™ are trademarks of Milestone AV Technologies. All rights reserved.



WARNING: Failure to read, thoroughly understand, and follow all instructions can result in serious personal injury, damage to equipment, or voiding of factory warranty! It is the installer's responsibility to make sure all components are properly assembled and installed using the instructions provided.



WARNING: Failure to provide adequate structural strength for this component can result in serious personal injury or damage to equipment! It is the installer's responsibility to make sure the structure to which this component is attached can support five times the combined weight of all equipment. Reinforce the structure as required before installing the component.



IMPORTANT WARNINGS AND CAUTIONS!



WARNING: A WARNING alerts you to the possibility of serious injury or death if you do not follow the instructions.



CAUTION: A CAUTION alerts you to the possibility of damage or destruction of equipment if you do not follow the corresponding instructions.

LEGEND

	Tighten Fastener
	Apretar elemento de fijación
	Befestigungsteil festziehen
	Apertar fixador
	Serrare il fissaggio
	Bevestiging vastdraaien
Serrez les fixations	

	Loosen Fastener
	Aflojar elemento de fijación
	Befestigungsteil lösen
	Desapertar fixador
	Allentare il fissaggio
	Bevestiging losdraaien
Desserrez les fixations	

	Phillips Screwdriver
	Destornillador Phillips
	Kreuzschlitzschraubendreher
	Chave de fendas Phillips
	Cacciavite a stella
	Kruiskopschroevendraaier
Tournevis à pointe cruciforme	

	Open-Ended Wrench
	Llave de boca
	Gabelschlüssel
	Chave de bocas
	Chiave a punte aperte
	Steeksleutel
Clé à fourche	

	By Hand
	A mano
	Von Hand
	Com a mão
	A mano
	Met de hand
À la main	

	Hex-Head Wrench
	Llave de cabeza hexagonal
	Sechskantschlüssel
	Chave de cabeça sextavada
	Chiave esagonale
	Zeskantsleutel
Clé à tête hexagonale	

	Pencil Mark
	Marcar con lápiz
	Stiftmarkierung
	Marcar com lápis
	Segno a matita
	Potloodmerkteken
Marquage au crayon	

	Drill Hole
	Perforar
	Bohrloch
	Fazer furo
	Praticare un foro
	Gat boren
Percez un trou	

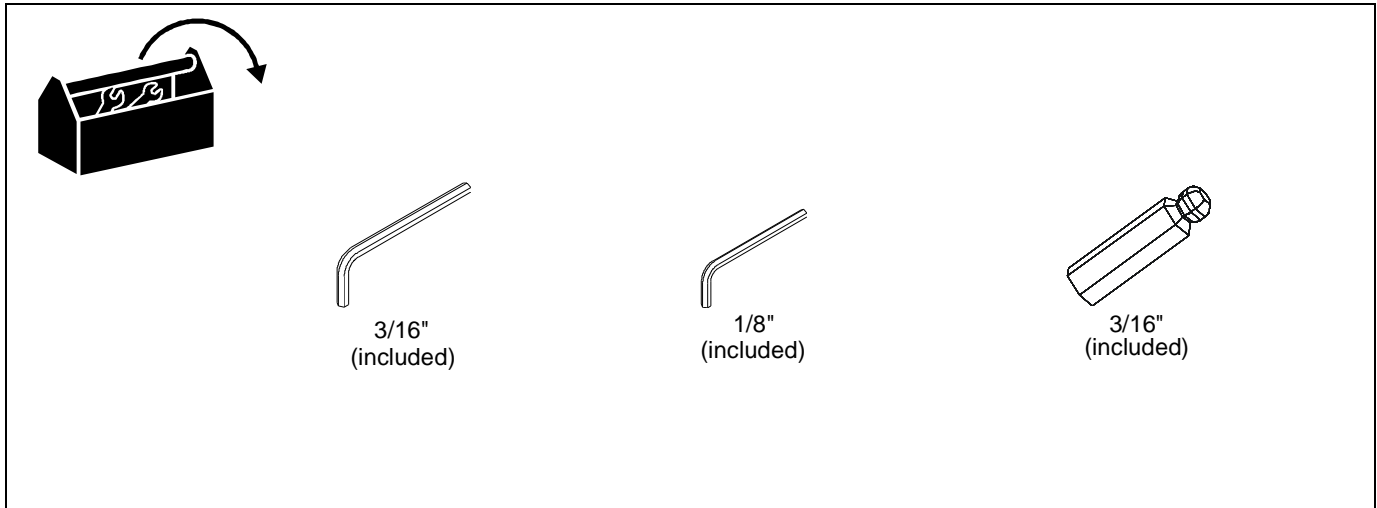
	Adjust
	Ajustar
	Einstellen
	Ajustar
	Regolare
	Afstellen
Ajuster	

	Remove
	Quitar
	Entfernen
	Remover
	Rimuovere
	Verwijderen
Retirez	

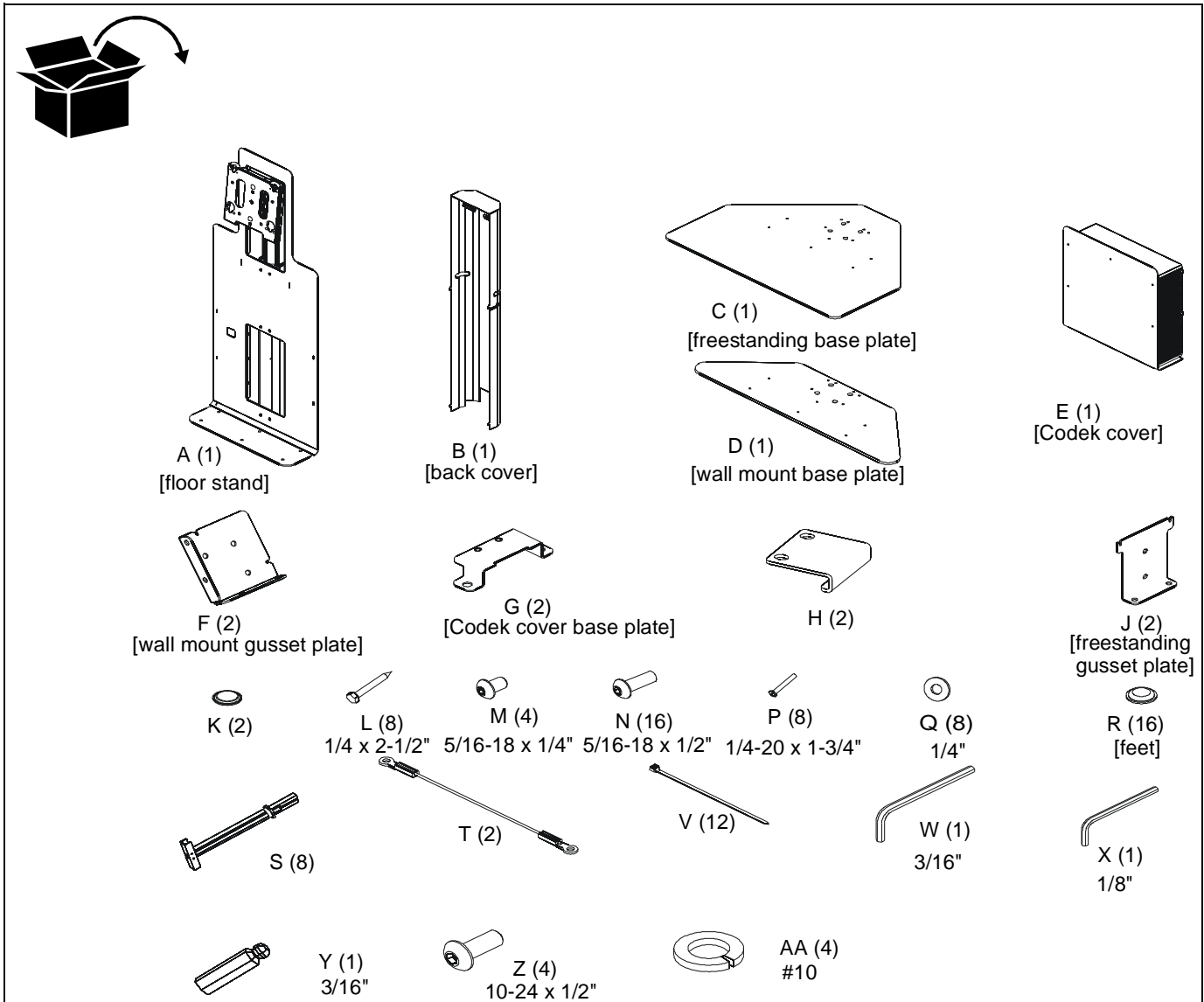
	Optional
	Opcional
	Optional
	Opcional
	Opzionale
	Optie
En option	

	Security Wrench
	Llave de seguridad
	Sicherheitsschlüssel
	Chave de segurança
	Chiave di sicurezza
	Veiligheidssleutel
Clé de sécurité	

TOOLS REQUIRED FOR INSTALLATION



PARTS



ASSEMBLY

Attaching Base Plate to Stand

1. Choose the proper base plate to use for assembling the mount. For a freestanding mount use the larger freestanding base plate (C) and for a wall mount use the smaller wall mount base plate (D).
2. Set base plate (C or D) flat on the ground with the film-protected surface facing up. Remove and discard protective film.
3. Set column assembly (A) on top of proper base plate (C or D) and line up the holes on the column base with the corresponding holes on the base plate (C or D).

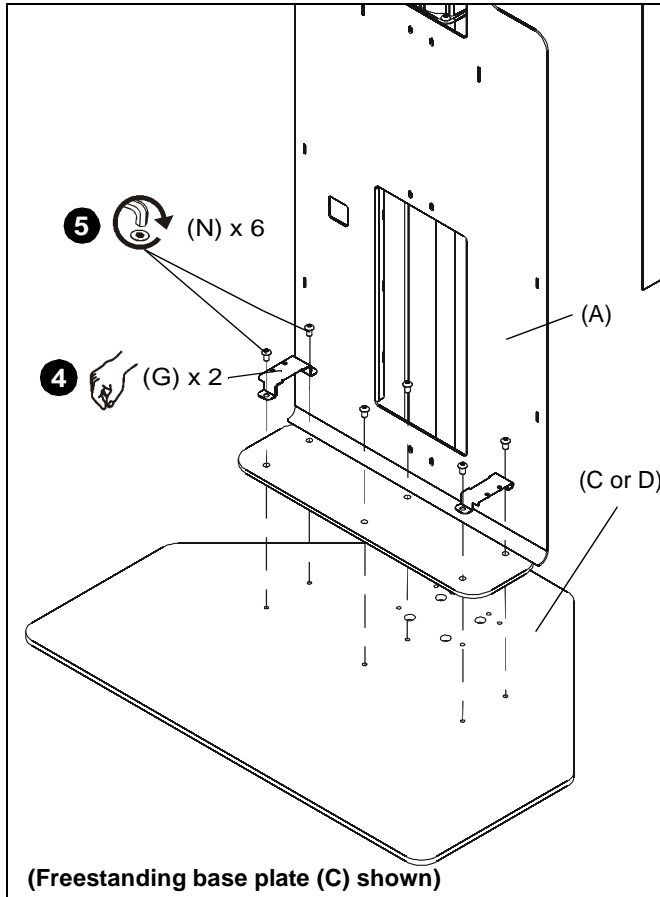


Figure 1

4. Position Codec cover base plates (G) above outside holes on the column base. (See Figure 1)
5. Install six 5/16-18 x 1/2" button head cap screws (N) to fasten column assembly (A) to base plate (C or D) and Codec cover base plates (G). (See Figure 1)
6. Install two 5/16-18 x 1/2" button head cap screws (N) into the rear holes behind the column assembly to secure column assembly to base plate. (See Figure 2)
7. Install four 5/16-18 x 1/4" button head cap screws (M) to secure the two gusset plates (J for freestanding, F for wall mount) to the column assembly. (See Figures 2 and 3)
8. Install four 5/16-18 x 1/2" button head cap screws (N) to secure the two gusset plates (J for freestanding, F for wall mount) to the base plate. (See Figures 2 and 3)
9. Install back column (B) to column assembly (A). (See Figure 2)

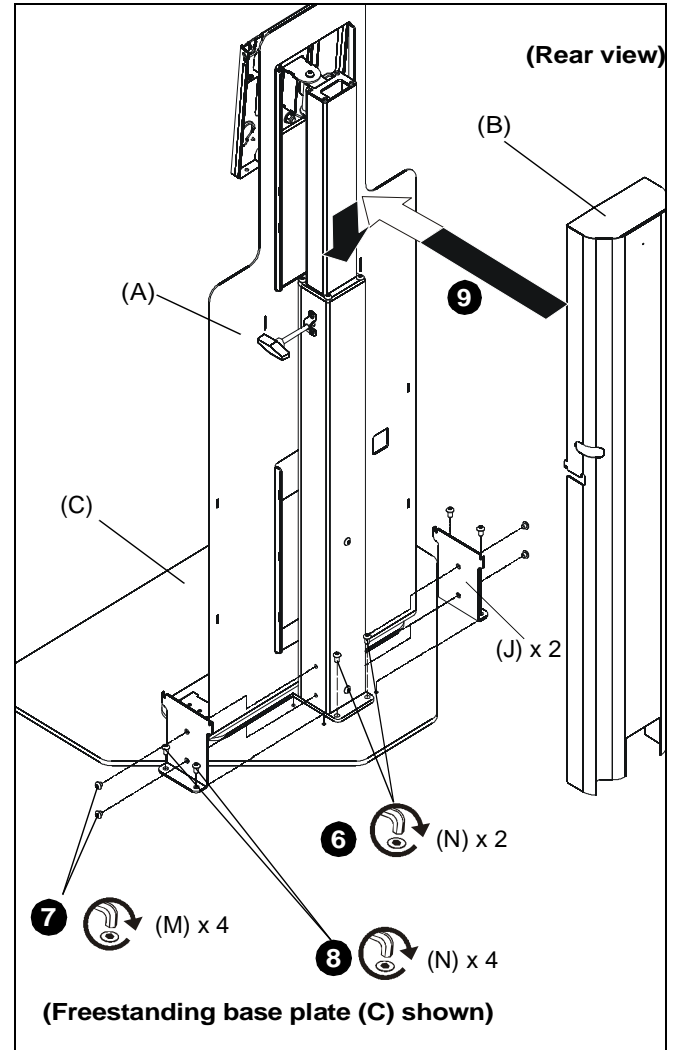


Figure 2

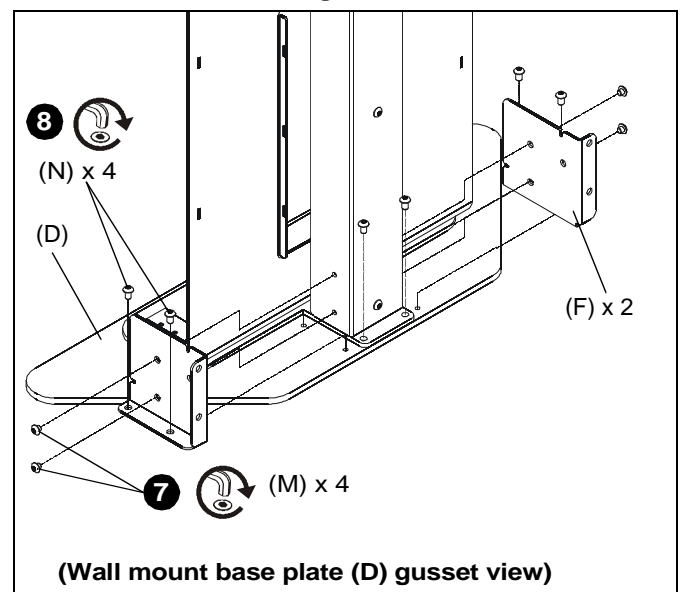


Figure 3

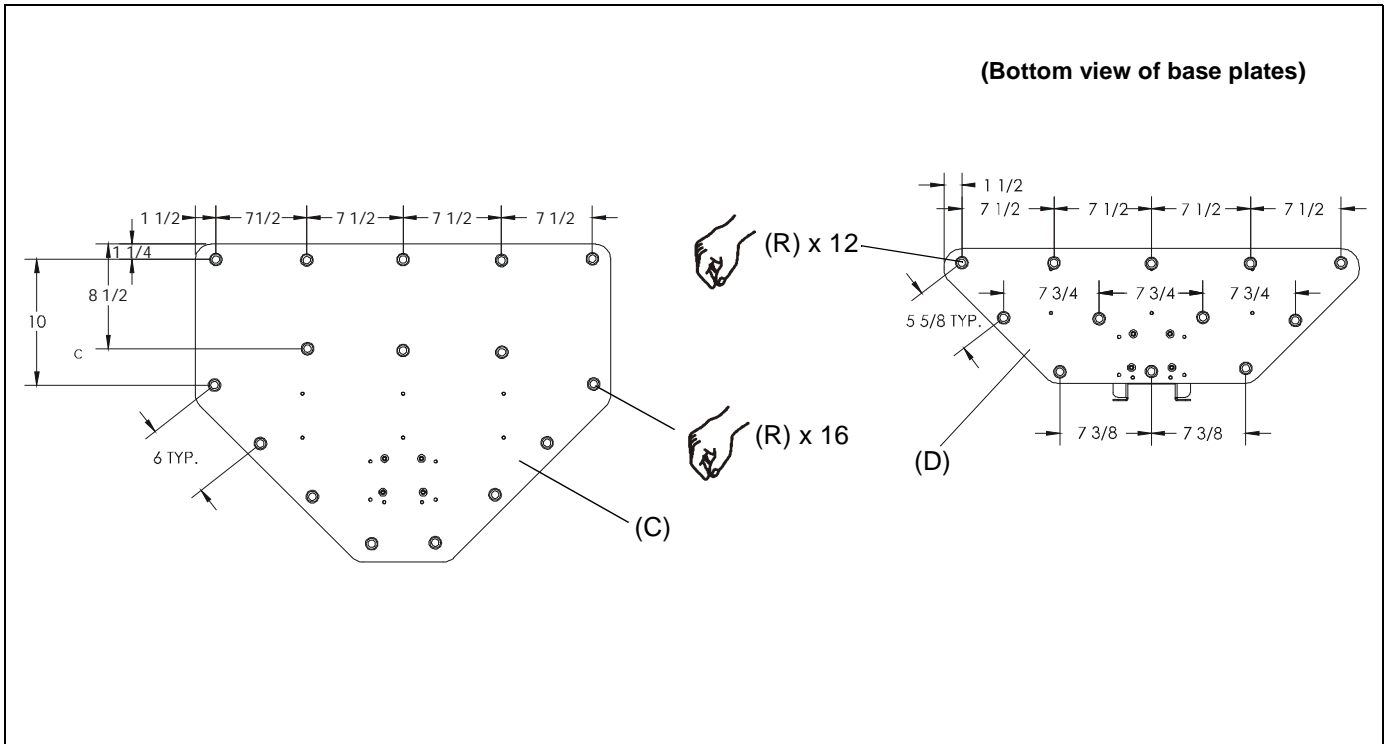


Figure 4

Optional Installation of Feet

NOTE: Installation of feet is optional depending on the surface on which the mount will be used. In certain cases, the feet may help reduce the possibility of any scratching of the surface on which the mount stands.

1. Slowly tip mount until column assembly (A) can be gently placed on the ground in order to expose the underside of the base plate (C or D).
2. Install feet (R) on underside of base plate (C or D) approximately as shown using the provided dimensions. (See Figure 4)



Our Mounts. **Your Vision.**

Chief Manufacturing, a products division
of Milestone AV Technologies

8831-000019 RevC

©2009 Milestone AV Technologies, a
Duchossois Group Company

www.chiefmfg.com

08/09

USA/International A 8401 Eagle Creek Parkway, Savage, MN 55378
P 800.582.6480 / 952.894.6280

F 877.894.6918 / 952.894.6918

Europe A Fellenoord 130 5611 ZB EINDHOVEN, The Netherlands

P +31 (0)40 2668620

F +31 (0)40 2668615

Asia Pacific A Room 24F, Block D, Lily YinDu International Building
LuoGang, BuJi Town, Shenzhen, CHINA.

深圳市布吉罗岗村百合银都国际大厦D栋24F

P +86-755-8996 9226

F +86-755-8996 9217

