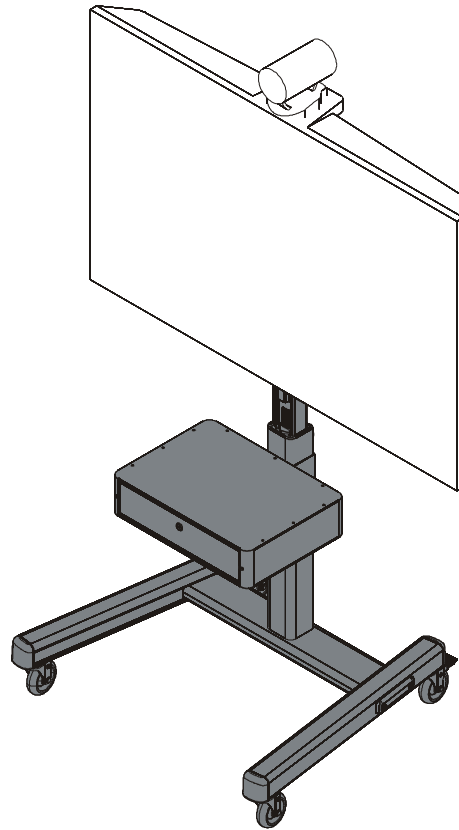

INSTALLATION INSTRUCTIONS



Display Cart with Storage Shelf

DISCLAIMER

Milestone AV Technologies and its affiliated corporations and subsidiaries (collectively "Milestone"), intend to make this manual accurate and complete. However, Milestone makes no claim that the information contained herein covers all details, conditions or variations, nor does it provide for every possible contingency in connection with the installation or use of this product. The information contained in this document is subject to change without notice or obligation of any kind. Milestone makes no representation of warranty, expressed or implied, regarding the information contained herein. Milestone assumes no responsibility for accuracy, completeness or sufficiency of the information contained in this document.

Chief® is a registered trademark of Milestone AV Technologies. All rights reserved.



WARNING: Never operate this mounting system if it is damaged. Return the mounting system to a service center for examination and repair.



WARNING: RISK OF INJURY TO PERSONS! Do not place video equipment such as televisions or computer monitors on storage shelf surface!



WARNING: Do not use this product outdoors.



WARNING: RISK OF INJURY TO PERSONS! Do not place video equipment such as televisions or computer monitors on storage shelf!

--SAVE THESE INSTRUCTIONS--



IMPORTANT SAFETY INSTRUCTIONS



WARNING: A WARNING alerts you to the possibility of serious injury or death if you do not follow the instructions.



CAUTION: A CAUTION alerts you to the possibility of damage or destruction of equipment if you do not follow the corresponding instructions.



WARNING: Failure to read, thoroughly understand, and follow all instructions can result in serious personal injury, damage to equipment, or voiding of factory warranty! It is the installer's responsibility to make sure all components are properly assembled and installed using the instructions provided.



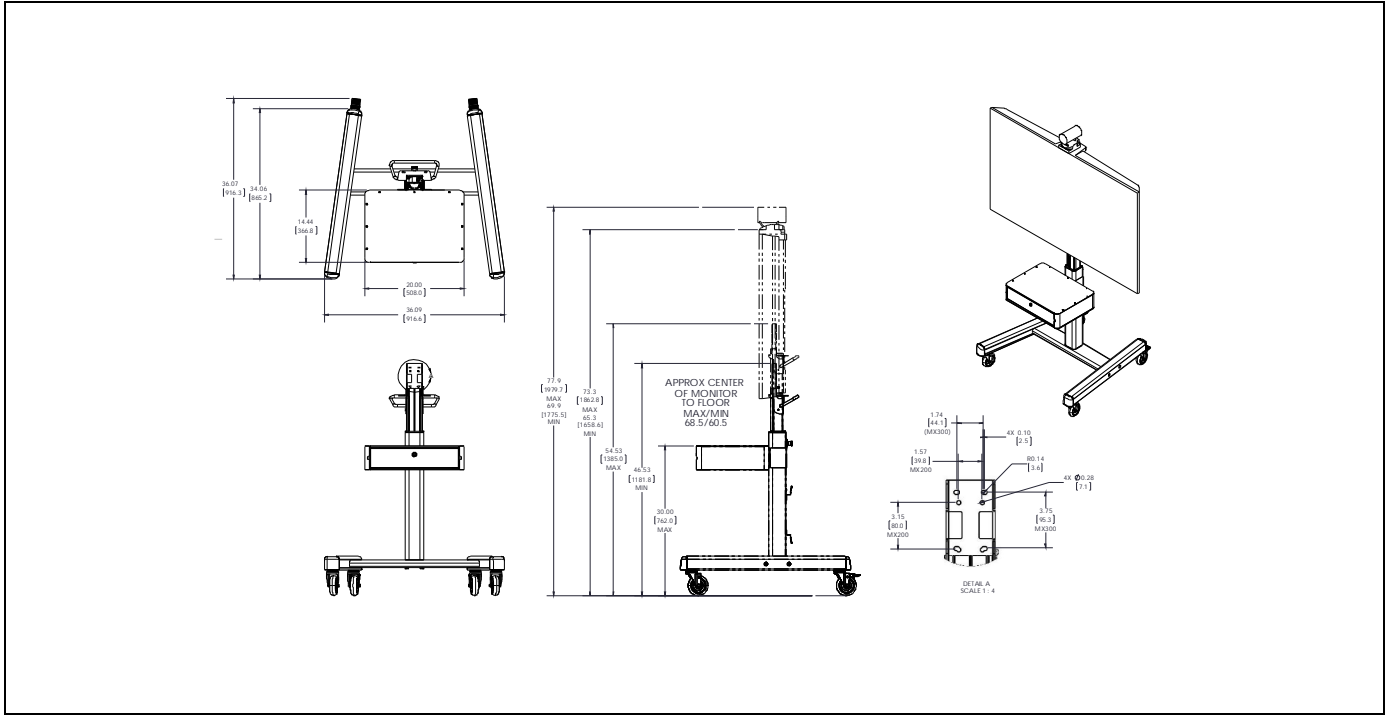
WARNING: Failure to provide adequate structural strength for this component can result in serious personal injury or damage to equipment! It is the installer's responsibility to make sure the structure to which this component is attached can support five times the combined weight of all equipment. Reinforce the structure as required before installing the component.



WARNING: Exceeding the weight capacity can result in serious personal injury or damage to equipment! It is the installer's responsibility to make sure the combined weight of all components located between the MSP-CSC11 up to (and including) the display does not exceed 75 lbs (34 kg). The combined weight of all components stored within or on the storage shelf cannot exceed 25 lbs (11.3 kg).



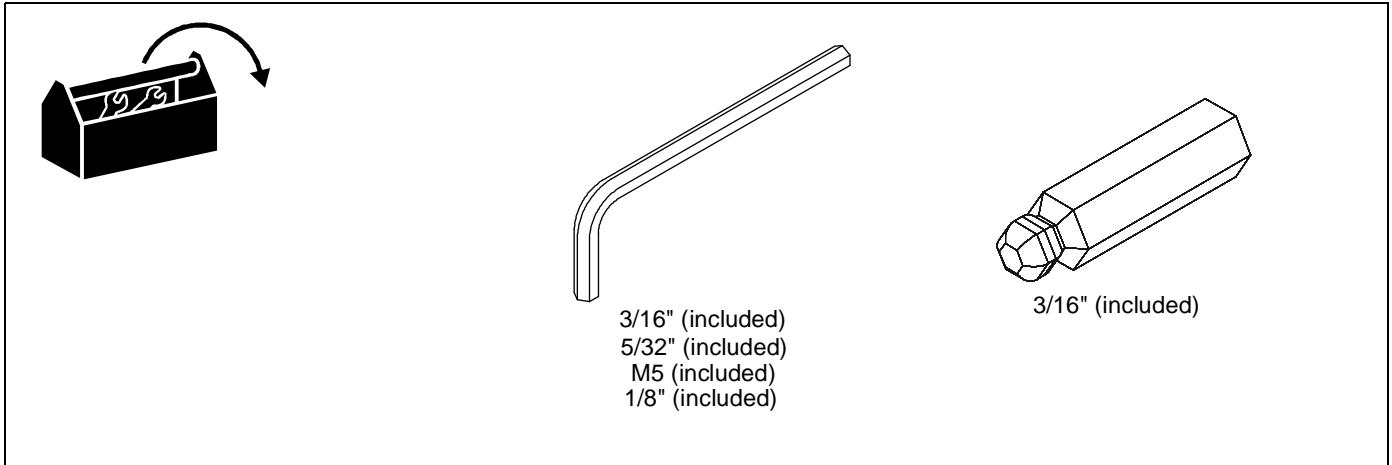
WARNING: Use this mounting system only for its intended use as described in these instructions. Do not use attachments not recommended by the manufacturer.



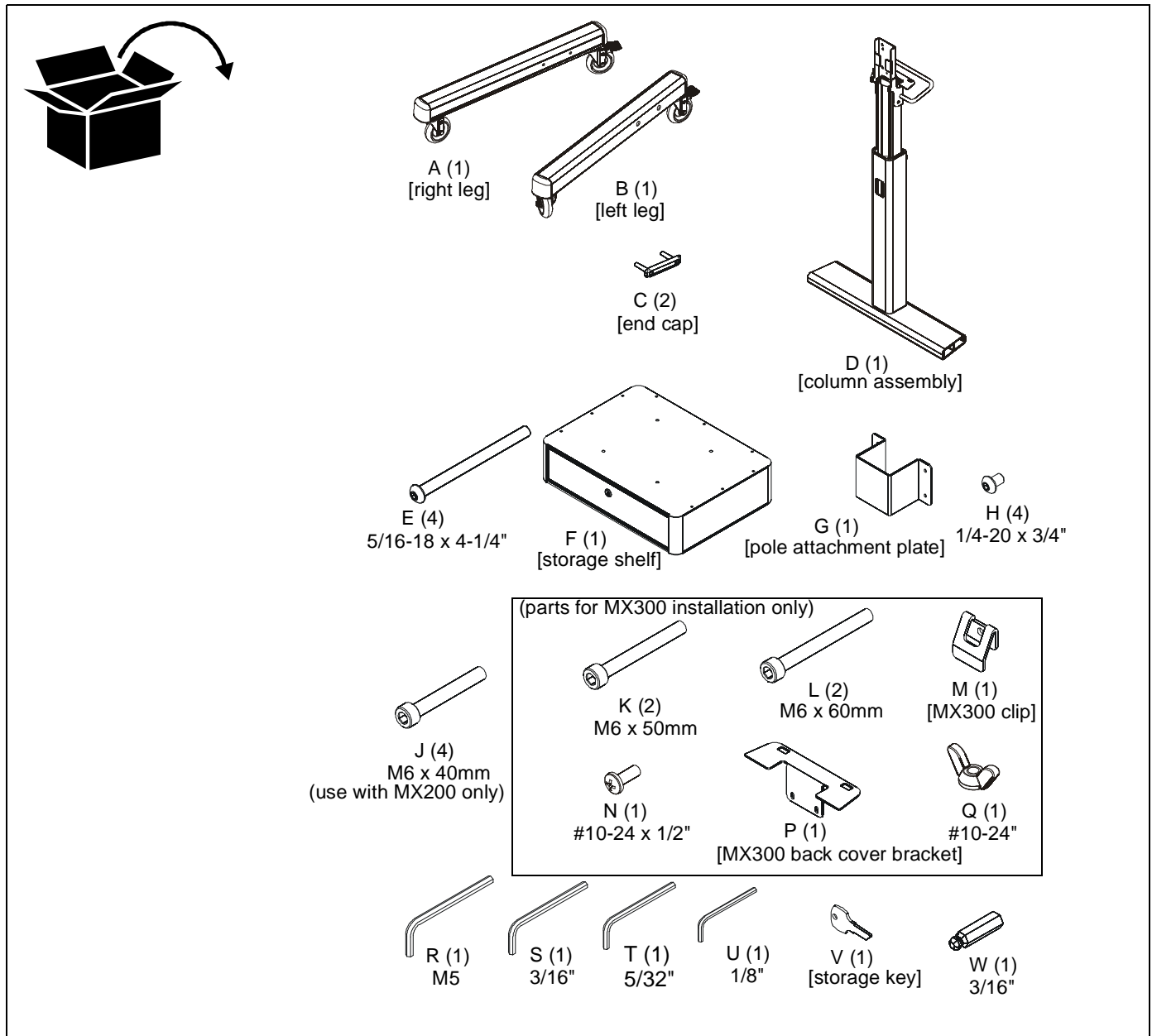
LEGEND

	Tighten Fastener Apretar elemento de fijación Befestigungsteil festziehen Apertar fixador Serrare il fissaggio Bevestiging vastdraaien Serrez les fixations		Pencil Mark Marcar con lápiz Stiftmarkierung Marcar com lápis Segno a matita Potloodmerkteken Marquage au crayon
	Loosen Fastener Aflojar elemento de fijación Befestigungsteil lösen Desapertar fixador Allentare il fissaggio Bevestiging losdraaien Desserrez les fixations		Drill Hole Perforar Bohrloch Fazer furo Praticare un foro Gat boren Percez un trou
	Phillips Screwdriver Destornillador Phillips Kreuzschlitzschraubendreher Chave de fendas Phillips Cacciavite a stella Kruiskopschroevendraaier Tournevis à pointe cruciforme		Adjust Ajustar Einstellen Ajustar Regolare Afstellen Ajuster
	Open-Ended Wrench Llave de boca Gabelschlüssel Chave de bocas Chiave a punte aperte Steeksleutel Clé à fourche		Remove Quitar Entfernen Remover Rimuovere Verwijderen Retirez
	By Hand A mano Von Hand Com a mão A mano Met de hand À la main		Optional Opcional Optional Opcional Opzionale Optie En option
	Hex-Head Wrench Llave de cabeza hexagonal Sechskantschlüssel Chave de cabeça sextavada Chiave esagonale Zeskantsleutel Clé à tête hexagonale		Security Wrench Llave de seguridad Sicherheitsschlüssel Chave de segurança Chiave di sicurezza Veiligheidsleutel Clé de sécurité

TOOLS REQUIRED FOR INSTALLATION



PARTS



Assembly And Installation

Cart Assembly



CAUTION: Attachment holes may be damaged if a power drill is used to insert button head cap screws. Screws should first be inserted and turned **BY HAND** with the hex key or with a handheld screwdriver **BEFORE** using a hex head drill bit and power drill (optional) to complete the attachment.

1. Assemble two legs (A and B) to the column assembly (D) using two 5/16-18 x 4-1/4" button head cap screws (E) and one end cap (C) per leg. (See Figure 1)

NOTE: When attaching the legs, make sure the larger holes are on the outside and the smaller holes on the inside.

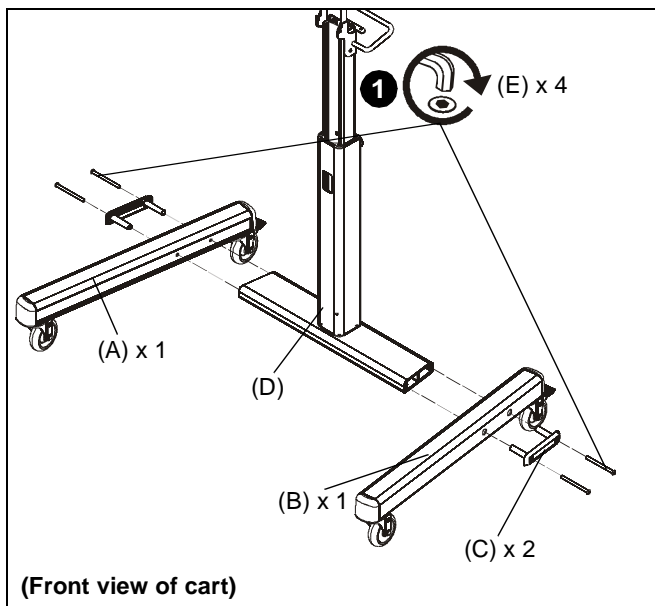


Figure 1



CAUTION: INNER COLUMN IS SHIPPED DISENGAGED and may pinch hands! Hold both inner and outer posts (columns) while removing from box.

Display Installation



WARNING: Exceeding the weight capacity can result in serious personal injury or damage to equipment! It is the installer's responsibility to make sure the combined weight of all components located between the MSP-CSC11 up to (and including) the display does not exceed 75 lbs (34 kg).



CAUTION: Before attaching display to cart set the brakes on the back wheels by pressing down on the tab. (See Figure 2)

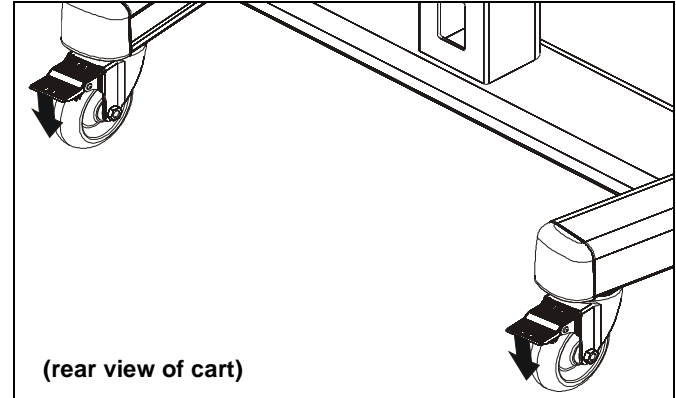


Figure 2



WARNING: DISPLAY WEIGHS UP TO 75 LBS! Always use two people and proper lifting techniques when installing or positioning display on cart.



WARNING: The MSP-CSC11 mounting cart has been designed specifically for Cisco's MX200 and MX300 flat panel display. **DO NOT** attempt to mount any other display to this mounting cart!

For MX200 Installation

NOTE: For MX300 Installation, proceed to MX300 Installation Section.

1. Carefully slide display onto column assembly (D). (See Figure 3)

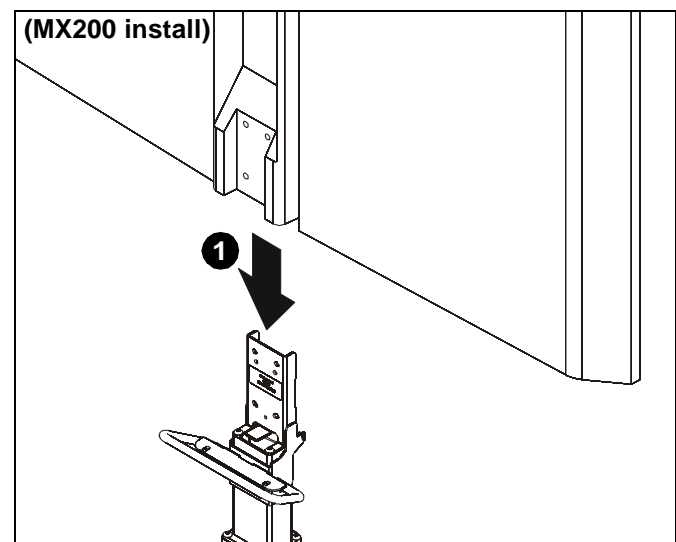


Figure 3

2. Hand tighten two M6x40mm socket head cap screws (J) into top two holes on display and interface plate. (See Figure 4)
3. Hand tighten two M6x40mm socket head cap screws (J) into lower two holes on display and interface plate. (See Figure 4)
4. Tighten all four screws.
5. Proceed to Storage Shelf Installation Section.

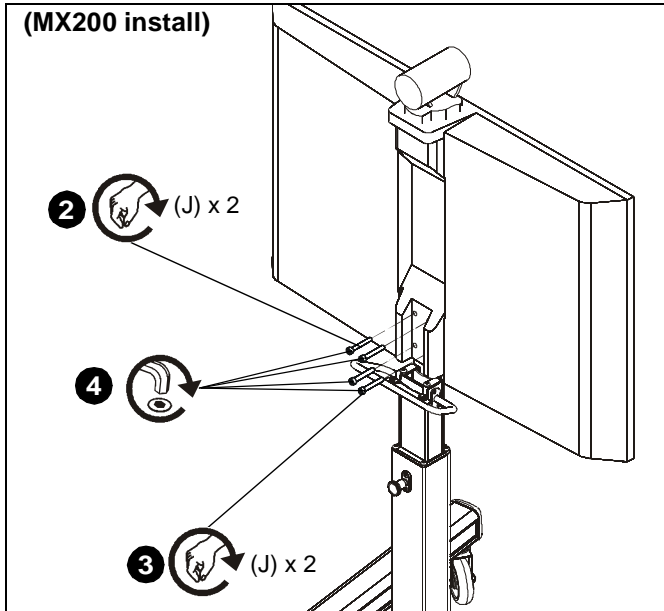


Figure 4

For MX300 Installation

1. Remove MX200 back cover bracket from column assembly (D) by removing two screws and washers holding back cover bracket to assembly. (See Figure 5)

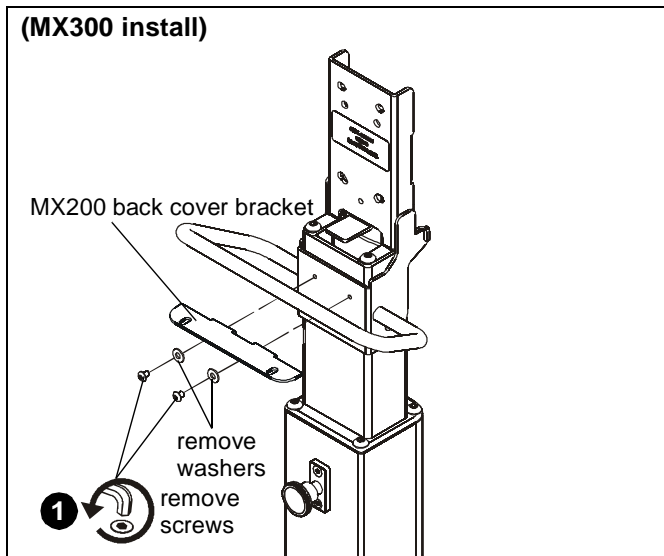


Figure 5

2. Use screws and washers removed in Step 1 to secure MX300 back cover bracket (P) to column assembly. (See Figure 6)

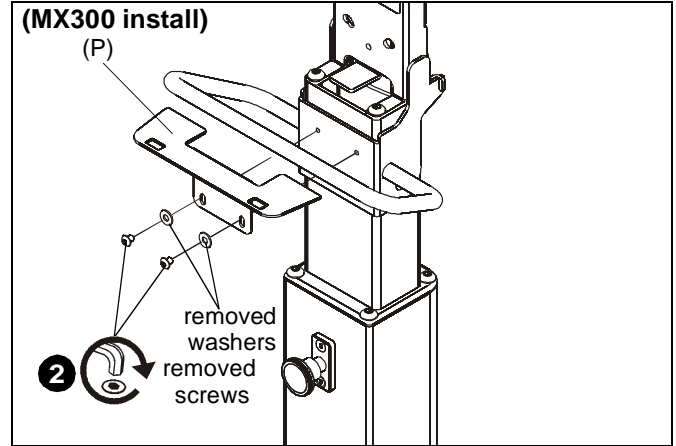


Figure 6

3. Use #10-24 x 1/2" Phillips pan machine screw (N) and #10-24 wing nut (Q) to secure MX300 clip (M) to column assembly's interface plate. (See Figure 7)

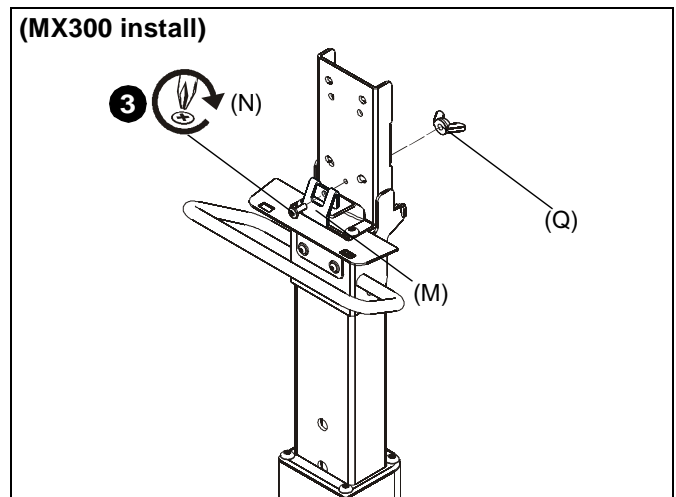


Figure 7

4. Carefully slide display onto column assembly (D). (See Figure 8)

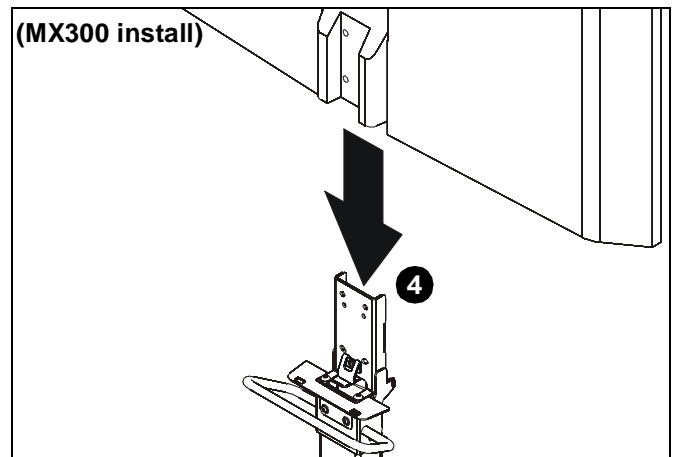


Figure 8

- Hand tighten two M6x50mm socket head cap screws (K) into top two holes on display and interface plate. (See Figure 10)

IMPORTANT ! : Top two screws must be installed prior to installing the bottom two screws in order to ensure interface holes are properly aligned with holes on display!

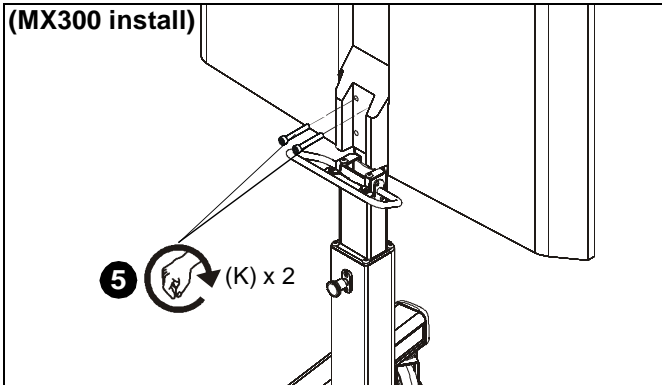


Figure 9

- Hand tighten two M6x60mm socket head cap screws (L) into lower two holes on display and interface plate. (See Figure 10)
- Tighten top two screws (K). (See Figure 10)
- Tighten bottom two screws (L) while holding display in a vertical position. (See Figure 10)

NOTE: It is important to ensure the display is aligned vertically when tightening all screws.

WARNING: Using screws of improper length or diameter may damage display! Only use screws provided with mount!

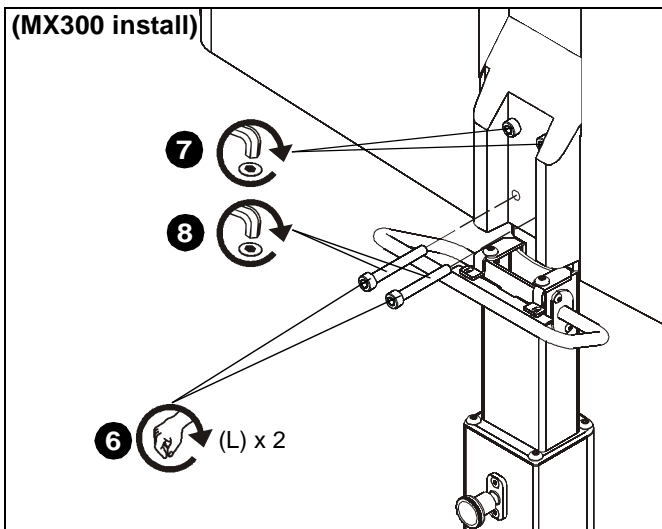


Figure 10

Storage Shelf Installation

- Use four 1/4-20 x 3/4" button head cap screws (H) to secure pole attachment plate (G) to storage shelf (F). (See Figure 11)

NOTE: If planning on using the column for cable management, be sure to install shelf assembly over the cable management opening on column.

WARNING: Exceeding the weight capacity can result in serious personal injury or damage to equipment! The combined weight of all components stored within or on the storage shelf cannot exceed 25 lbs (11.3 kg).

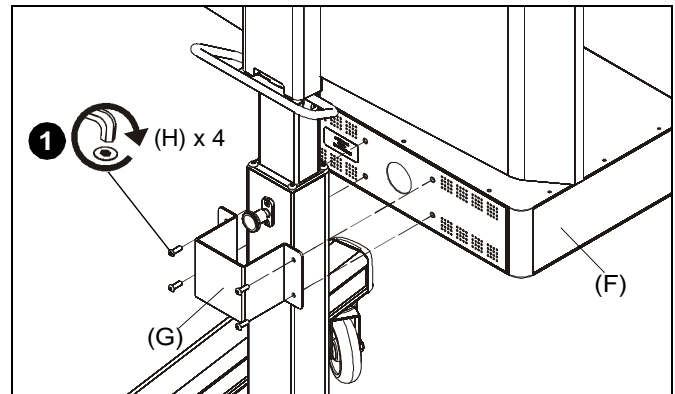


Figure 11

Cable Management

- Connect all cables to display.
- The display power cord can be run through the top and down through the post to exit out the back. (See Figure 12)

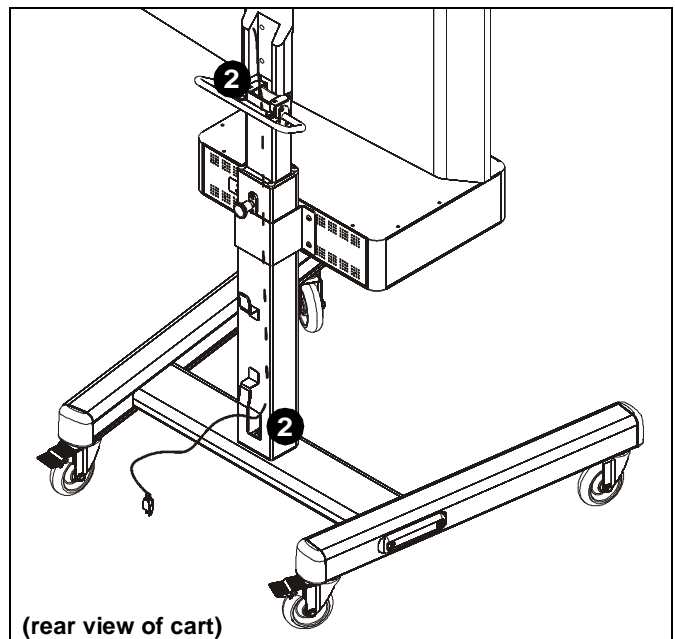


Figure 12

3. Any accessory power cords can be run through the opening on column behind storage shelf and down through the post to exit out the back. (See Figure 13)
4. Route signal cables from display to corresponding devices in storage shelf. (See Figure 13)

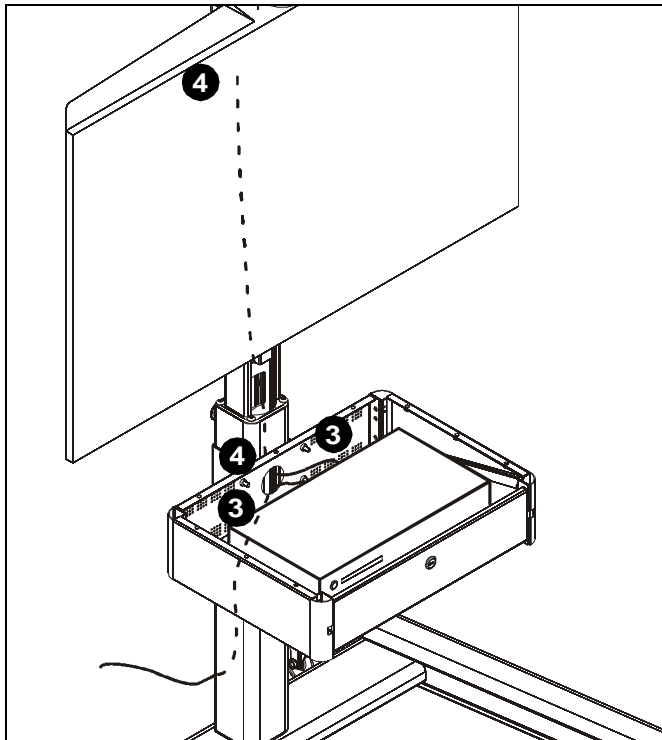


Figure 13

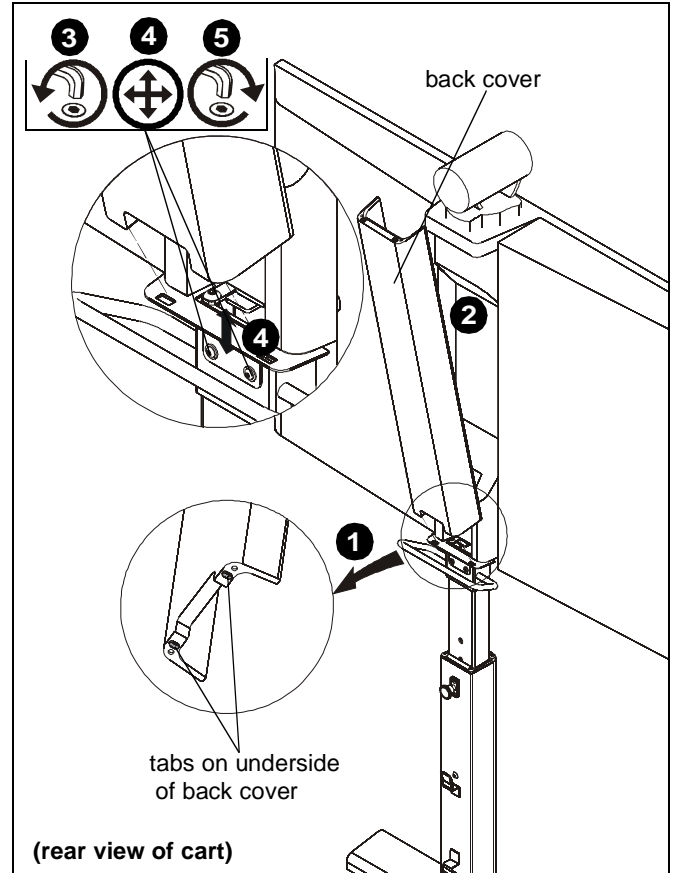


Figure 14

Cable Cover Installation

1. Place two tabs on underside of Cisco back cover (included with display) into two holes on bracket on back of column assembly. This bracket is located just above the cart handle. (See Figure 14)
2. Install Cisco back cover onto back of display by pushing it into position until it snaps into place. (See Figure 14)

NOTE: If back cover does not fit securely in Step 2, adjust height of back cover bracket by following Steps 3-5 below.

3. Loosening screws holding back cover bracket to column assembly. (See Figure 14)
4. Adjust back cover bracket height up or down until Cisco back cover fits securely. (See Figure 14)
5. Tighten screws holding back cover bracket to column assembly. (See Figure 14)

Adjusting Cart Height

NOTE: The column assembly contains a gas spring which allows for safe and easy height adjustment after the display has been mounted. Adjusting the height when the display is not attached is much more difficult and not recommended.

1. Pull out knob on the column assembly and turn 90° in either direction to disengage the locking mechanism. (See Figure 15)
2. Raise or lower the display using the back handle. (See Figure 15)
3. Turn the knob 90° either direction to engage the knob and lock the cart at desired height. (See Figure 15)

IMPORTANT ! : Set the height of the cart so the display does NOT rest on the lower part of the center post. (See Figure 15) Always set the height so the knob is engaged in a hole in the center post.

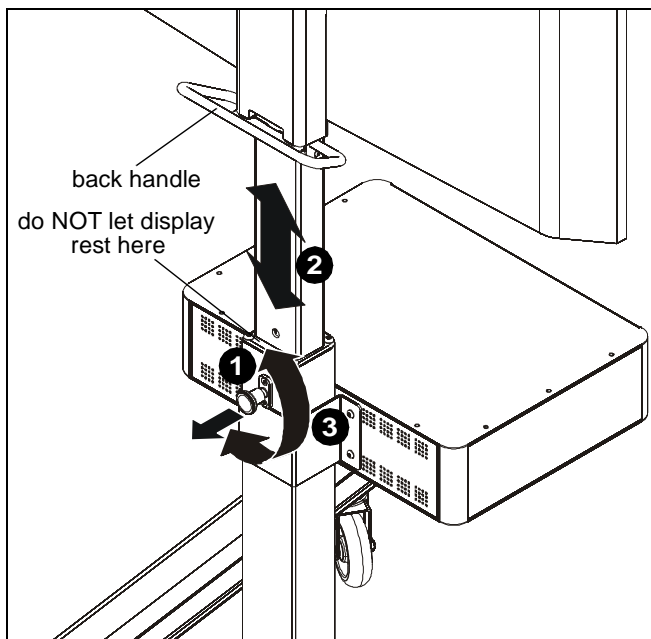


Figure 15

Cart Use and Maintenance



CAUTION: This cart is intended for use only with the products and maximum weights indicated. Use with other products or products heavier than the maximum weights indicated may result in instability causing possible injury.



WARNING: CART CAN TIP OVER RESULTING IN RISK OF INJURY. Do not allow children under 16 to move cart. Only adults should move this cart. Move cart slowly. Apply moving force on narrow dimension. Never apply force at top - always push or pull with handle.

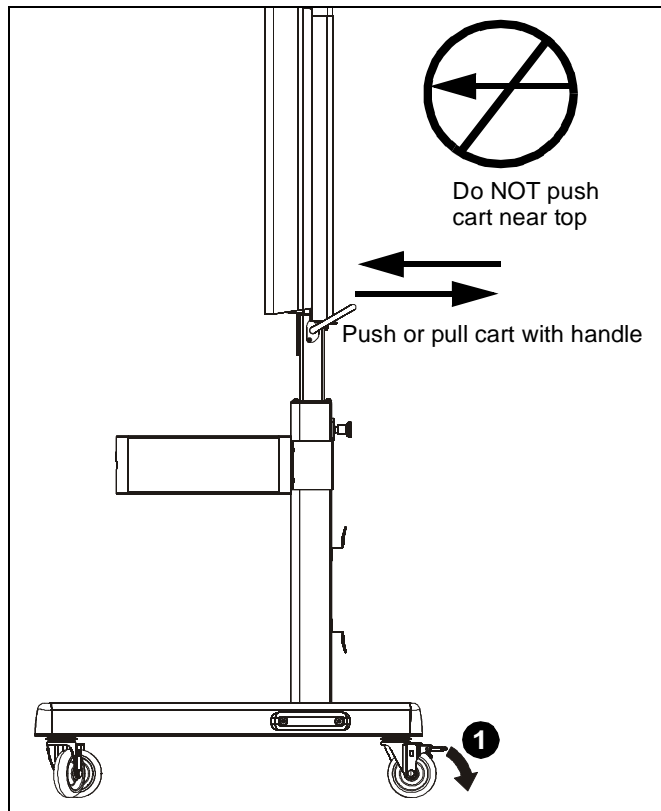


Figure 16

1. Always place cart on level surface.
2. Always lock the wheels when the cart is not moving.
3. Use cable clips on column to hang cables as needed when moving cart. (See Figure 17)

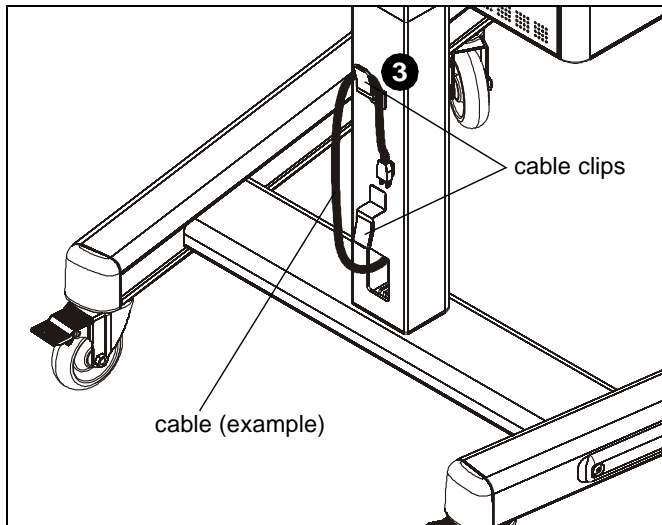


Figure 17



Our Mounts. **Your Vision.**

Chief Manufacturing, a products division
of Milestone AV Technologies

8800-002242 Rev01

©2012 Milestone AV Technologies, a

Duchossois Group Company

www.chiefmfg.com

10/12

USA/International	A 6436 City West Parkway, Eden Prairie, MN 55344
	P 800.582.6480 / 952.225.6000
	F 877.894.6918 / 952.894.6918
Europe	A Franklinstraat 14, 6003 DK Weert, Netherlands
	P +31 (0) 495 580 852
	F +31 (0) 495 580 845
Asia Pacific	A Office No. 1 on 12/F, Shatin Galleria 18-24 Shan Mei Street Fotan, Shatin, Hong Kong
	P 852 2145 4099
	F 852 2145 4477

