

INSTALLATION INSTRUCTIONS ADDENDUM

MSP-CSC1 Troubleshooting

ISSUE:

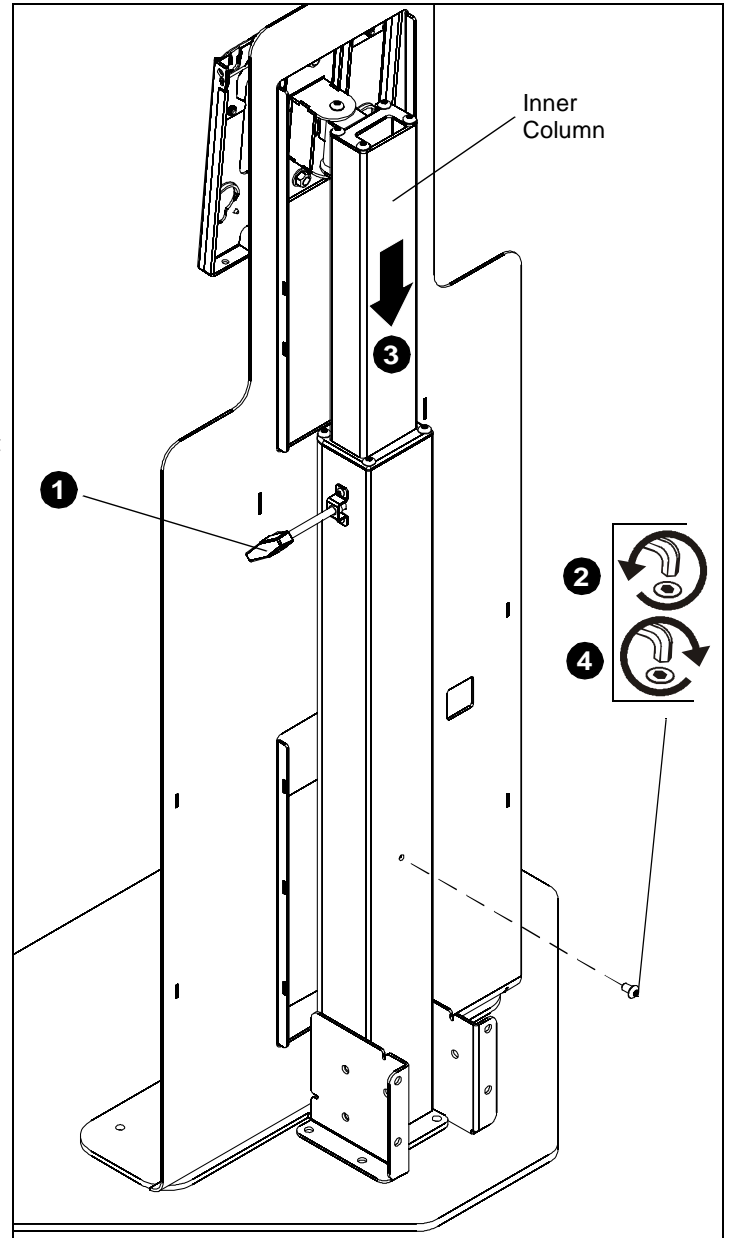
Column will not adjust up or down after the monitor has been placed on the MSP-CSC1 faceplate.

TROUBLESHOOTING SOLUTION:

1. Ensure tensioning knob is loose. DO NOT REMOVE.

NOTE: If tensioning knob is loose and the inner column will not adjust up or down, proceed to Step 2.

2. Loosen and remove button head cap screw from back of column using the 3/16" hex head wrench supplied with the MSP-CSC1.
3. Compress inner column a minimum of 4" (102mm) and reinsert button head cap screw in back of column.
4. Tighten screw to 12 psi torque (16 Nm).



®Chief is a registered trademark of Milestone AV Technologies.
All rights reserved.

Milestone AV Technologies, and its affiliated corporations and subsidiaries (collectively, "Milestone"), intend to make this manual accurate and complete. However, Milestone makes no claim that the information contained herein covers all details, conditions or variations, nor does it provide for every possible contingency in connection with the installation or use of this product. The information contained in this document is subject to change without notice or obligation of any kind. Milestone makes no representation of warranty, expressed or implied, regarding the information contained herein. Milestone assumes no responsibility for accuracy, completeness or sufficiency of the information contained in this document.



Our Mounts. **Your Vision.** • P: 800.582.6480 / 952.894.6280 • F: 877.894.6918 / 952.894.6918

Chief Manufacturing, a products division of
Milestone AV Technologies
8401 Eagle Creek Parkway, Savage, MN 55378

8800-002029 Rev00
©2009 Milestone AV Technologies, a
Duchossois Group Company
www.chiefmfg.com

05/09