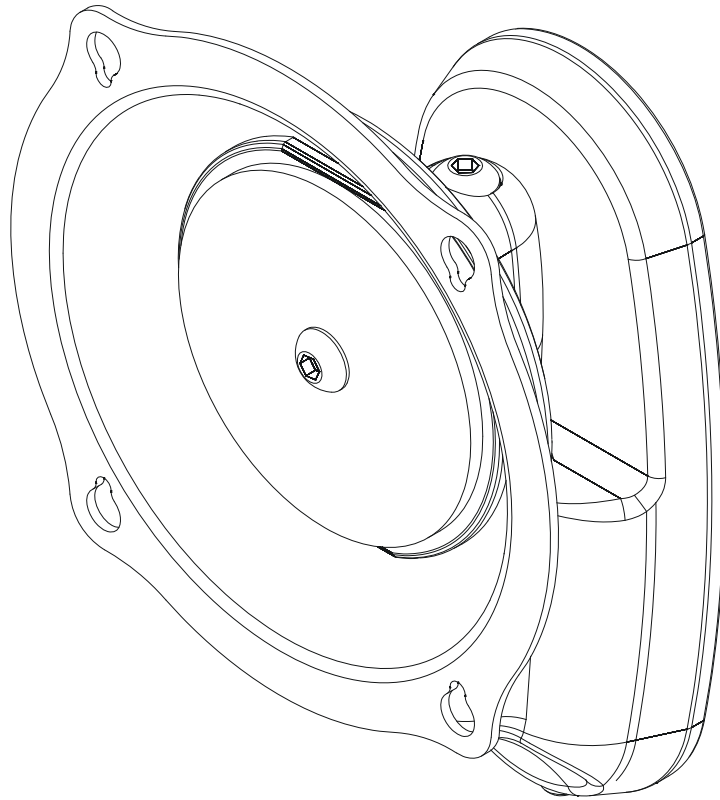

INSTALLATION INSTRUCTIONS



Medium Flat Panel Wall Mount

DISCLAIMER

Milestone AV Technologies, and its affiliated corporations and subsidiaries, intend to make this manual accurate and complete. However, Milestone makes no claim that the information contained herein covers all details, conditions or variations, nor does it provide for every possible contingency in connection with the installation or use of this product. The information contained in this document is subject to change without notice or obligation of any kind. Milestone makes no representation of warranty, expressed or implied, regarding the information contained herein. Milestone assumes no responsibility for accuracy, completeness or sufficiency of the information contained in this document.

Chief® and Centris™ are registered trademarks of Milestone AV Technologies. All rights reserved.

IMPORTANT WARNINGS AND CAUTIONS!

WARNING: A WARNING alerts you to the possibility of serious injury or death if you do not follow the instructions.

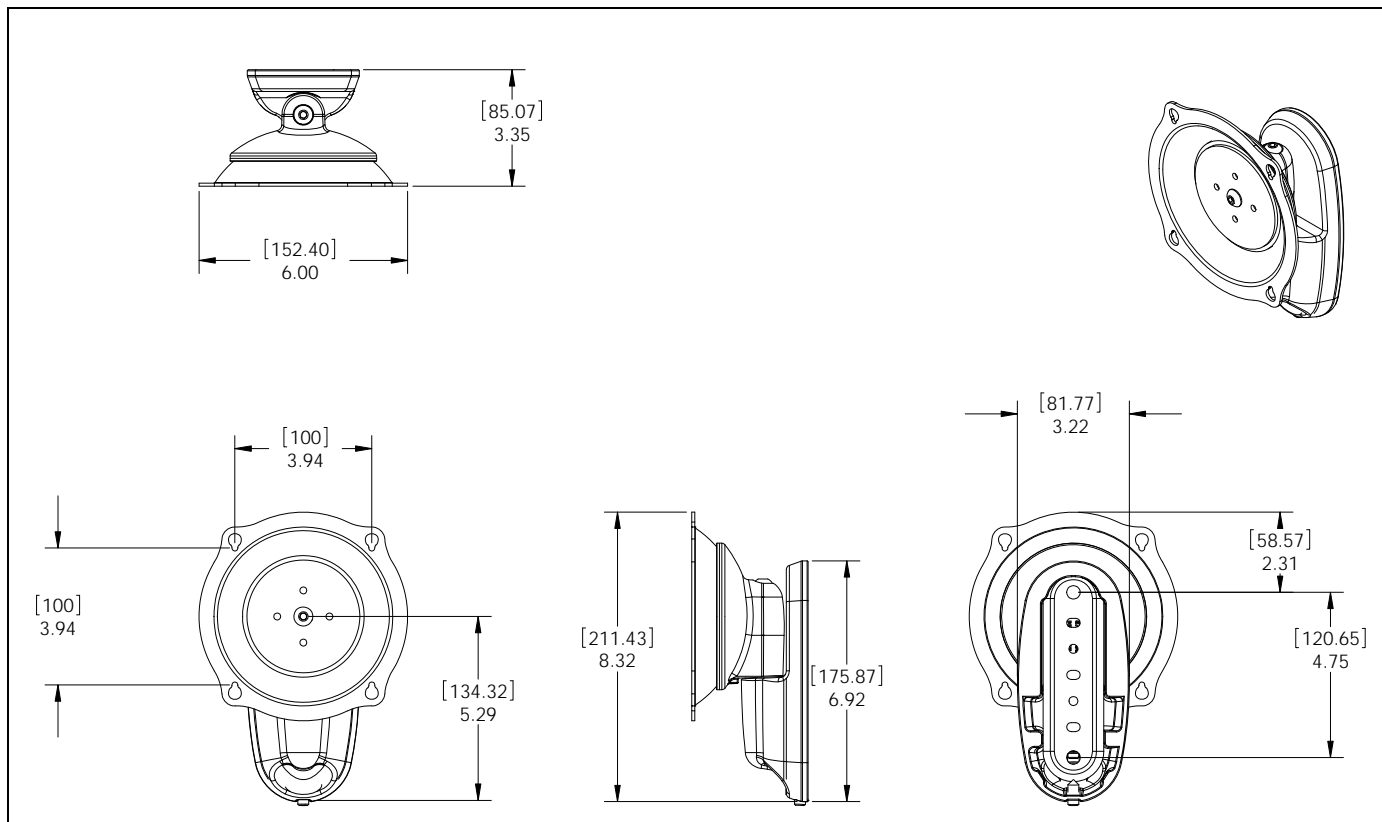
CAUTION: A CAUTION alerts you to the possibility of damage or destruction of equipment if you do not follow the corresponding instructions.

WARNING: Failure to read, thoroughly understand, and follow all instructions can result in serious personal injury, damage to equipment, or voiding of factory warranty! It is the installer's responsibility to make sure all components are properly assembled and installed using the instructions provided.

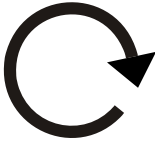

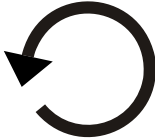


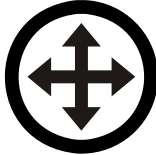






WARNING: Failure to provide adequate structural strength for this component can result in serious personal injury or damage to equipment! It is the installer's responsibility to make sure the structure to which this component is attached can support five times the combined weight of all equipment. Reinforce the structure as required before installing the component.

WARNING: Exceeding the weight capacity can result in serious personal injury or damage to equipment! It is the installer's responsibility to make sure the combined weight of all components located between the MSP-CSC5 mount up to (and including) the display does not exceed 75 lbs (34 kg).

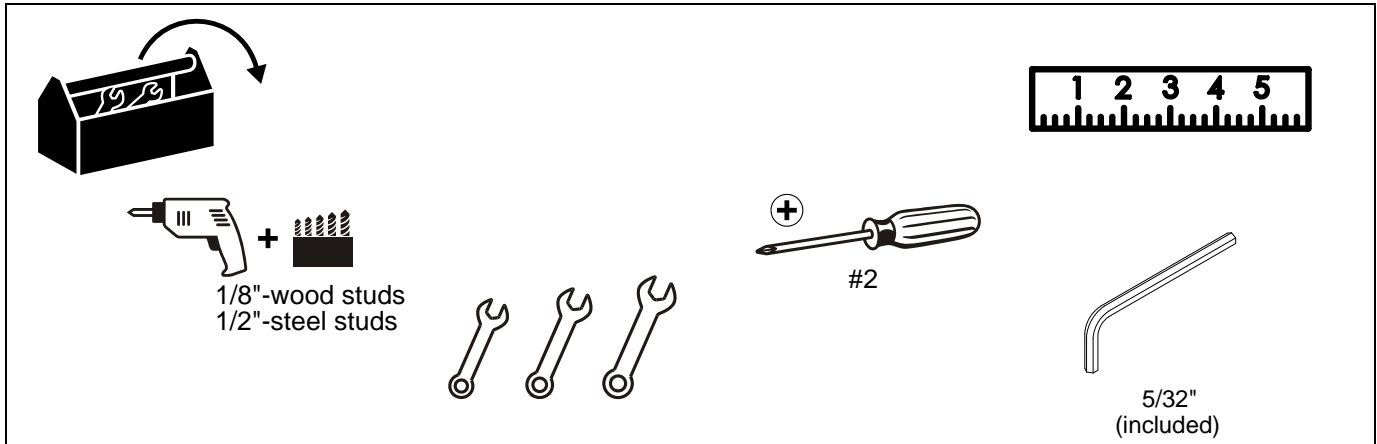
DIMENSIONS



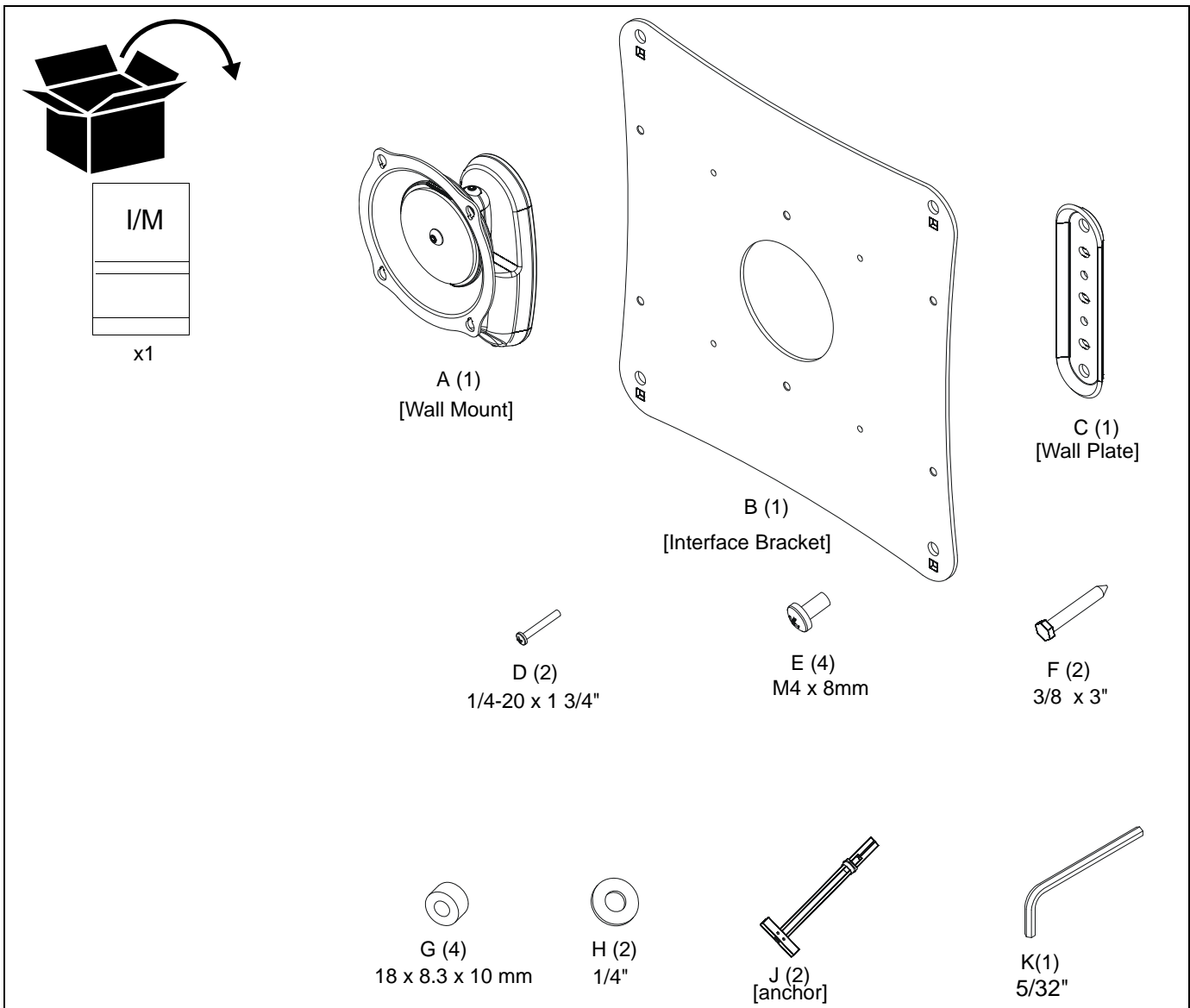
LEGEND

	<p>Tighten Fastener</p> <p>Apretar elemento de fijación</p> <p>Befestigungsteil festziehen</p> <p>Apertar fixador</p> <p>Serrare il fissaggio</p> <p>Bevestiging vastdraaien</p> <p>Serrez les fixations</p>		<p>Pencil Mark</p> <p>Marcar con lápiz</p> <p>Stiftmarkierung</p> <p>Marcar com lápis</p> <p>Segno a matita</p> <p>Potloodmerkteken</p> <p>Marquage au crayon</p>
	<p>Loosen Fastener</p> <p>Aflojar elemento de fijación</p> <p>Befestigungsteil lösen</p> <p>Desapertar fixador</p> <p>Allentare il fissaggio</p> <p>Bevestiging losdraaien</p> <p>Desserrez les fixations</p>		<p>Drill Hole</p> <p>Perforar</p> <p>Bohrloch</p> <p>Fazer furo</p> <p>Praticare un foro</p> <p>Gat boren</p> <p>Percez un trou</p>
	<p>Phillips Screwdriver</p> <p>Destornillador Phillips</p> <p>Kreuzschlitzschraubendreher</p> <p>Chave de fendas Phillips</p> <p>Cacciavite a stella</p> <p>Kruiskopschroevendraaier</p> <p>Tournevis à pointe cruciforme</p>		<p>Adjust</p> <p>Ajustar</p> <p>Einstellen</p> <p>Ajustar</p> <p>Regolare</p> <p>Afstellen</p> <p>Ajuster</p>
	<p>Open-Ended Wrench</p> <p>Llave de boca</p> <p>Gabelschlüssel</p> <p>Chave de bocas</p> <p>Chiave a punte aperte</p> <p>Steeksleutel</p> <p>Clé à fourche</p>		<p>Remove</p> <p>Quitar</p> <p>Entfernen</p> <p>Remover</p> <p>Rimuovere</p> <p>Verwijderen</p> <p>Retirez</p>
	<p>By Hand</p> <p>A mano</p> <p>Von Hand</p> <p>Com a mão</p> <p>A mano</p> <p>Met de hand</p> <p>À la main</p>		<p>Optional</p> <p>Opcional</p> <p>Optional</p> <p>Opcional</p> <p>Opzionale</p> <p>Optie</p> <p>En option</p>
	<p>Hex-Head Wrench</p> <p>Llave de cabeza hexagonal</p> <p>Sechskantschlüssel</p> <p>Chave de cabeça sextavada</p> <p>Chiave esagonale</p> <p>Zeskantsleutel</p> <p>Clé à tête hexagonale</p>		<p>Security Wrench</p> <p>Llave de seguridad</p> <p>Sicherheitsschlüssel</p> <p>Chave de segurança</p> <p>Chiave di sicurezza</p> <p>Veiligheidssleutel</p> <p>Clé de sécurité</p>

TOOLS REQUIRED FOR INSTALLATION



PARTS



MOUNT INSTALLATION



WARNING: FAILURE TO PROVIDE ADEQUATE STRUCTURAL STRENGTH FOR THIS MOUNT CAN RESULT IN SERIOUS PERSONAL INJURY OR DAMAGE TO EQUIPMENT! It is the installer's responsibility to make sure the structure to which this mount is attached can support five times the combined weight of the mount and all equipment attached to it. Reinforce the structure as required before installing the mount.

NOTE: Mount may be installed using wood studs or steel studs. For steel stud installation, proceed ahead to Site Requirements for Using Steel Studs section.

Mount Installation Using Wood Studs

1. Determine location for mount keeping in mind display size, extension, height adjustment (if applicable), and pitch/roll requirements.
2. Using wall plate (C) as a template, mark then drill two 1/8" diameter pilot holes through top and bottom holes of wall bracket into wall structure. (See Figure 1)

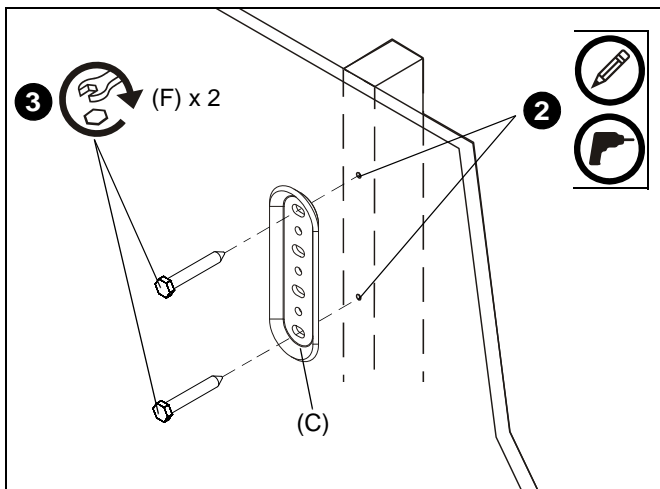


Figure 1

3. Install two 3/8" x 3" hex head lag screws (F) through wall plate (C) and drywall into wood stud. (See Figure 1)
4. Ensure wall plate (C) is vertical, then tighten screws (F).



CAUTION: Overtightening screws may cause wall bracket to compress into soft wall surface, resulting in difficult mount installation or improper engaging of set screw in later step.

5. Insert top of wall mount (A) over lip on top of wall plate (C). (See Figure 2)
6. Swing wall mount down flush against wall.

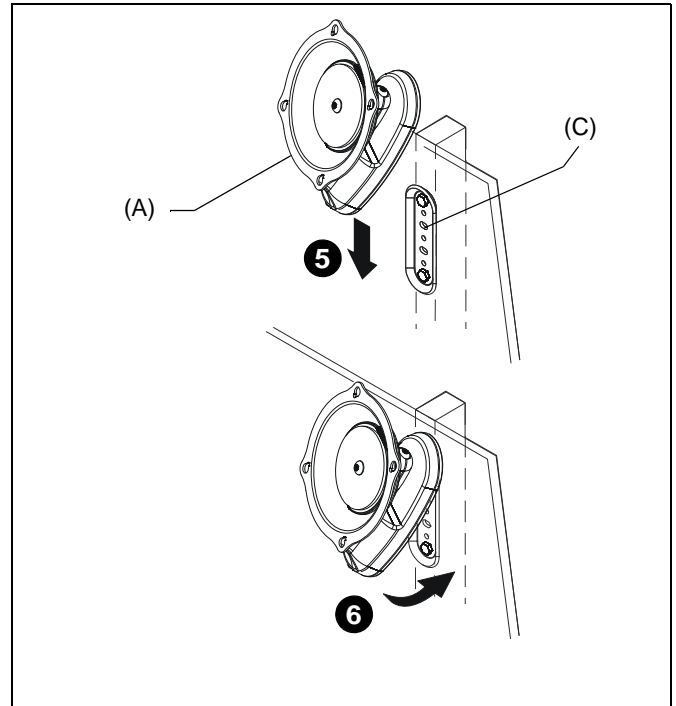


Figure 2

7. Tighten set screw in bottom of wall mount. (See Figure 3)

NOTE: Ensure set screw engages on back side of wall plate to properly secure wall mount.

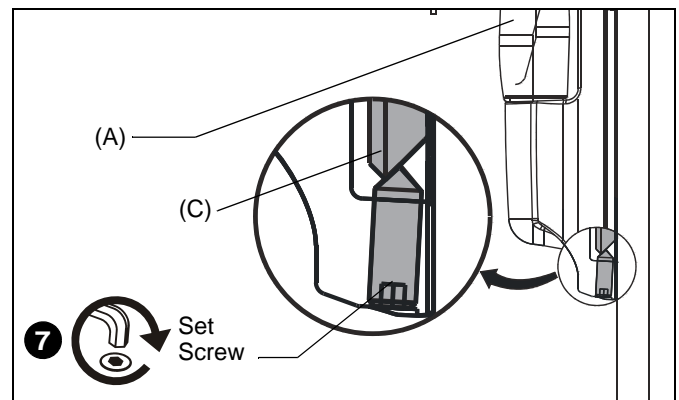


Figure 3

NOTE: Proceed ahead to Display Installation to complete installation process.

Site Requirements for Using Steel Studs

⚠ WARNING: IMPROPER INSTALLATION CAN LEAD TO EQUIPMENT FALLING CAUSING SERIOUS PERSONAL INJURY OR DAMAGE TO EQUIPMENT! The figure below identifies the minimum requirements for installation of display mounts onto a steel stud structure. If the structure or its components do not meet these requirements contact the mount manufacturer for specific instructions before attempting installation. It should also be noted that no other equipment should be mounted to the same stud.

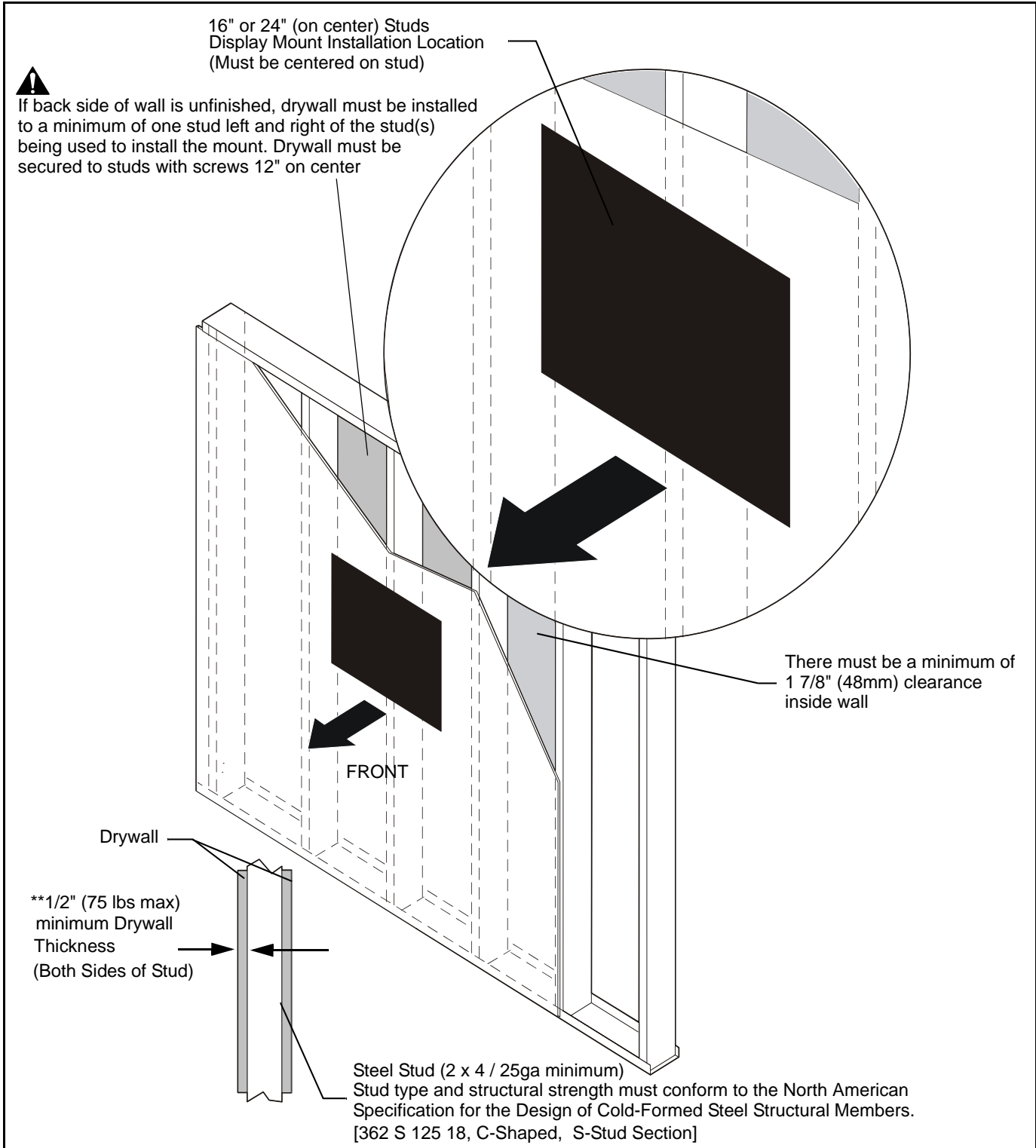


Figure 4

Mount Installation Using Steel Studs

After determining the site meets the installation requirements:

1. Identify desired mounting location on wall.
2. Using a stud finder or similar method locate studs.
3. Align mounting holes in mount with studs making sure mounting holes are centered on studs. (See Figure 5)



WARNING: IMPROPER INSTALLATION CAN LEAD TO EQUIPMENT FALLING CAUSING SERIOUS PERSONAL INJURY OR DAMAGE TO EQUIPMENT! (See Figure 5)

4. Mark location of two mounting holes on wall using the wall plate (C) as a template. Mark holes where the top and bottom holes of the wall plate be connected.
5. Drill two 1/2" (Ø13mm) holes. (See Figure 5)

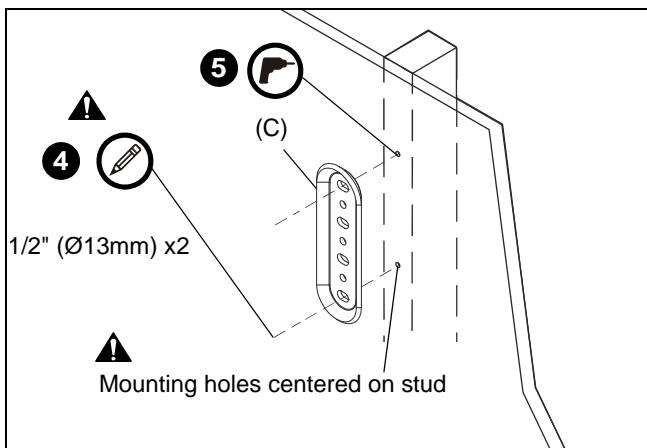


Figure 5

6. Hold metal channel on anchor (J) flat alongside plastic straps and slide channel through hole. (See Figure 6)

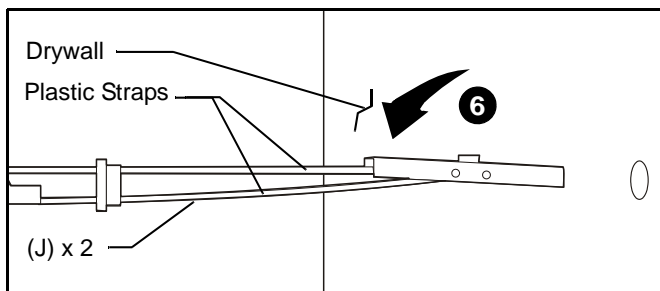


Figure 6

7. Holding plastic straps on anchor (J), pull anchor away from wall until channel rests flush behind wall making sure anchor channel is positioned vertically on stud. (See Figure 7)
8. Slide plastic cap on anchor (J) towards wall until flange of cap is flush with wall. (See Figure 7)

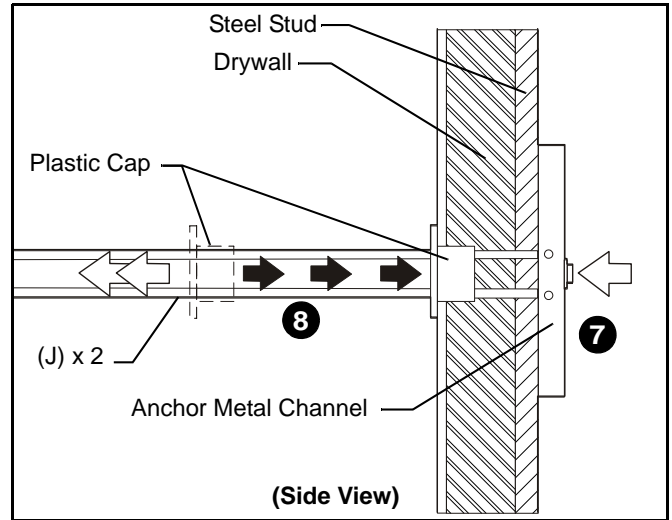


Figure 7

9. Snap off plastic straps on anchor at wall by pushing side to side, snapping off straps level with flange of plastic cap. (See Figure 8)
10. Repeat steps 6 through 9 for remaining mounting hole.

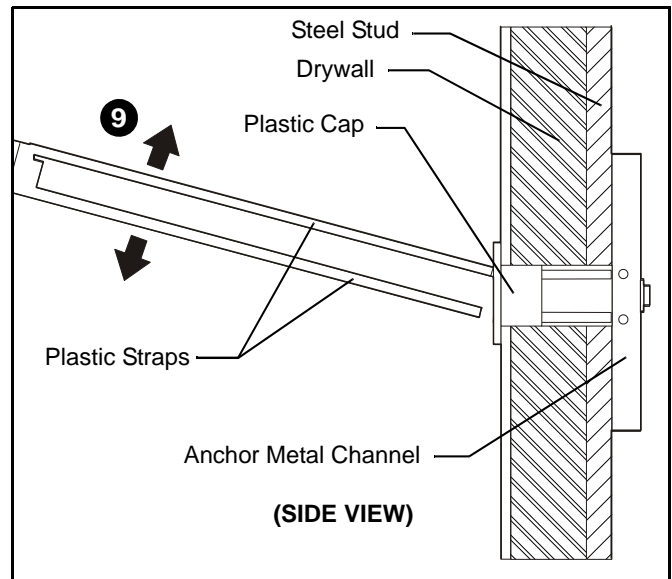


Figure 8

11. Place mount (A) over anchors and align mounting holes in display mount with holes in anchors. (See Figure 9)
12. Place flat washer (H) onto 1/4-20 x 1-3/4" Phillips pan head screws (D).
13. Insert 1/4-20 x 1-3/4" Phillips pan head screws (D) with flat washer (H) through mounting hole in display mount and into anchor (J) and tighten until flush against mount. DO NOT overtighten! (See Figure 9)
14. Repeat steps 11 through 13 for remaining mounting hole.

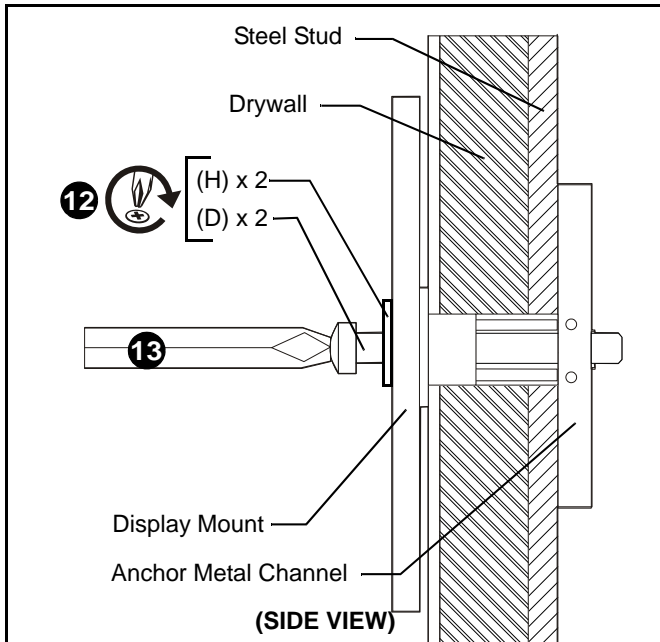


Figure 9

DISPLAY INSTALLATION

WARNING: IMPROPER INSTALLATION CAN LEAD TO EQUIPMENT FALLING CAUSING SERIOUS PERSONAL INJURY AND DAMAGE TO EQUIPMENT! DO NOT substitute hardware. Use only hardware supplied by manufacturer!

WARNING: IMPROPER INSTALLATION CAN LEAD TO ELECTRIC SHOCK OR DAMAGE TO EQUIPMENT! Screw length must not exceed the depth of threaded mounting insert in display.

WARNING: OVERTIGHTENING OF SCREWS CAN DAMAGE PARTS AND LEAD TO SERIOUS PERSONAL INJURY AND DAMAGE TO EQUIPMENT! DO NOT over tighten screws when installing interface bracket.

WARNING: IMPROPER INSTALLATION CAN LEAD TO DISPLAY FALLING CAUSING SERIOUS PERSONAL INJURY OR DAMAGE TO EQUIPMENT! Using screws of improper size may damage your display! Proper screws will easily and completely thread into display mounting holes. Ensure that screws are not too long.

WARNING: IMPROPER INSTALLATION CAN LEAD TO DISPLAY FALLING CAUSING SERIOUS PERSONAL INJURY OR DAMAGE TO EQUIPMENT! Inadequate thread engagement in display may cause display to fall! Back out screws ONLY as necessary to allow installation of mounting plate!

1. Remove four preinstalled screws and mounting buttons from back of display. Set screws aside for use in Step 3.
2. Discard mounting buttons removed in Step 1.
3. Use four nylon spacers (G) and four screws removed in Step 1 to attach interface bracket (B) to the back of the display. (See Figure 10)

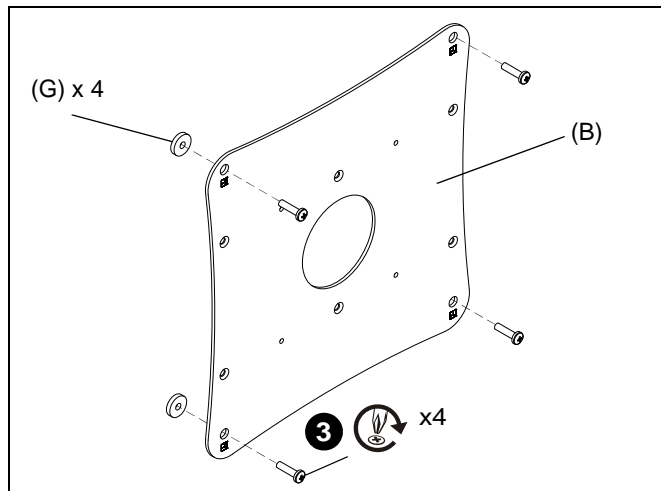


Figure 10

CAUTION: PREVENT EQUIPMENT DAMAGE! Tighten each screw carefully, but do not overtighten.

4. Start installing two M4 x 8mm Phillips pan machine screws (E) into top mounting holes on interface bracket (B). (See Figure 11)

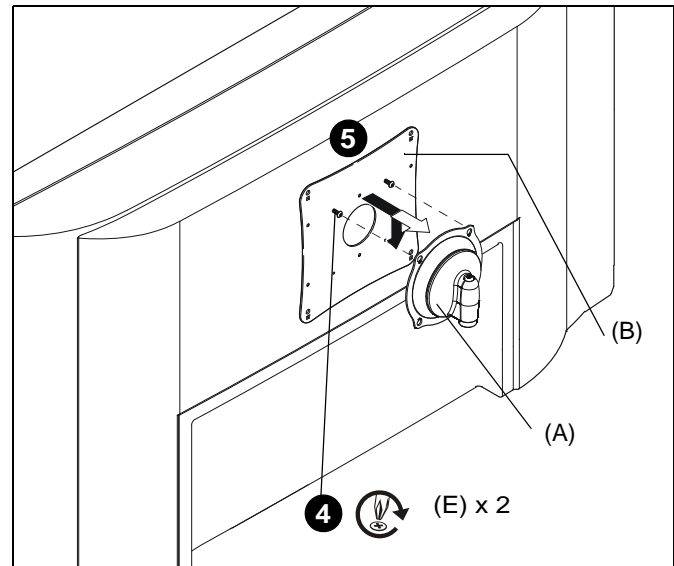


Figure 11

5. Align two screws (E) in interface bracket (B) with upper mounting holes in Centris cup and lower display until screws are seated in lower area of teardrop mounting holes. (See Figure 12)

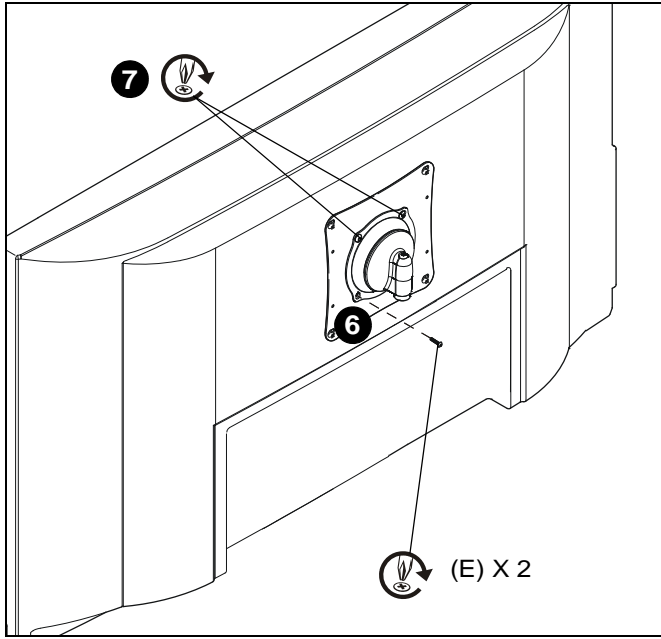


Figure 12

6. Install two more of the same screws (E) through lower mounting holes in display mounting plate and into display back. (See Figure 12)
7. Tighten top two screws until mount is securely connected to the interface and display. (See Figure 12)

3. Loosen two *Upper* screws securing display.
4. Lift display upward and away from mount.
5. Turn the tension adjustment screw clockwise to increase tension, or counter-clockwise to decrease tension. (See Figure 14)

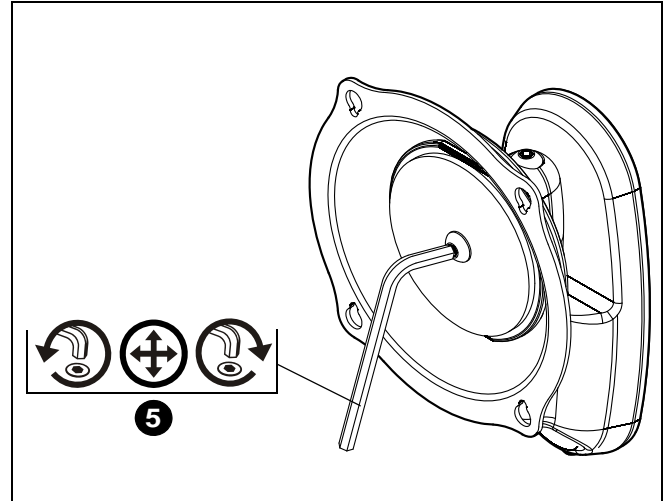


Figure 14

6. Re-install display.

ADJUSTMENTS

PIVOT TENSION

1. Slightly loosen or tighten the adjustment screw as necessary. (See Figure 13)

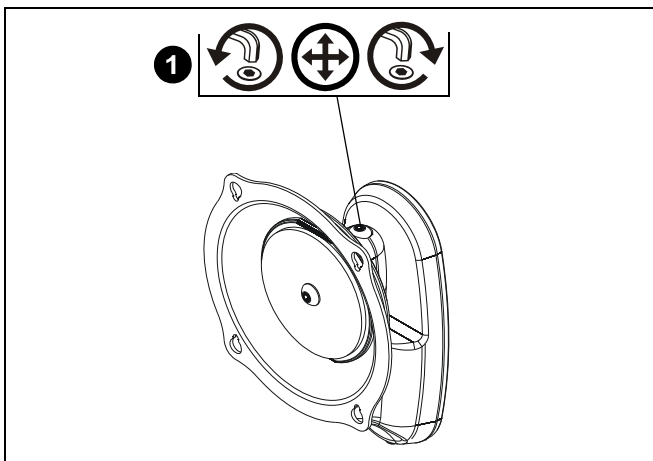


Figure 13

DISPLAY ROLL / PITCH / YAW TENSION:

1. Disconnect all wires and cable from the display.
2. Remove two *Lower* screws securing display to Centris cup.



Our Mounts. **Your Vision.**

Chief Manufacturing, a products division
of Milestone AV Technologies
8831-000021 Rev D

©2009 Milestone AV Technologies, a
Duchossois Group Company

www.chiefmfg.com

01/09

USA/International A 8401 Eagle Creek Parkway, Savage, MN 55378
P 800.582.6480 / 952.894.6280

F 877.894.6918 / 952.894.6918

Europe

A Fellenoord 130 5611 ZB EINDHOVEN, The Netherlands

P +31 (0)40 2668620

F +31 (0)40 2668615

Asia Pacific

A Room 24F, Block D, Lily YinDu International Building
LuoGang, BuJi Town, Shenzhen, CHINA.

深圳市布吉罗岗村百合银都国际大厦D栋24F

P +86-755-8996 9226

F +86-755-8996 9217

