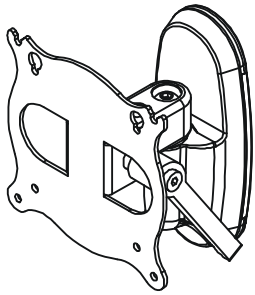
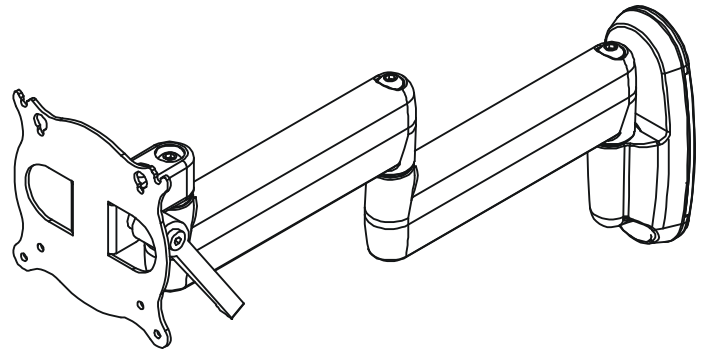

INSTALLATION INSTRUCTIONS



MSP-DAR1B



MSP-DARKWD110B


Extreme Pitch Wall Mount


DISCLAIMER


Milestone AV Technologies and its affiliated corporations and subsidiaries (collectively "Milestone"), intend to make this manual accurate and complete. However, Milestone makes no claim that the information contained herein covers all details, conditions or variations, nor does it provide for every possible contingency in connection with the installation or use of this product. The information contained in this document is subject to change without notice or obligation of any kind. Milestone makes no representation of warranty, expressed or implied, regarding the information contained herein. Milestone assumes no responsibility for accuracy, completeness or sufficiency of the information contained in this document.


Chief® is a registered trademark of Milestone AV Technologies. All rights reserved.


IMPORTANT SAFETY INSTRUCTIONS


 **WARNING:** A WARNING alerts you to the possibility of serious injury or death if you do not follow the instructions.


 **CAUTION:** A CAUTION alerts you to the possibility of damage or destruction of equipment if you do not follow the corresponding instructions.


 **WARNING:** Failure to read, thoroughly understand, and follow all instructions can result in serious personal injury, damage to equipment, or voiding of factory warranty! It is the installer's responsibility to make sure all components are properly assembled and installed using the instructions provided.

 **WARNING:** Failure to provide adequate structural strength for this component can result in serious personal injury or damage to equipment! It is the installer's responsibility to make sure the structure to which this component is attached can support five times the combined weight of all equipment. Reinforce the structure as required before installing the component. The wall to which the mount is being attached may have a maximum drywall thickness of 5/8" (1.6cm). Do not install drywall anchors into the seam between drywall pieces.

 **WARNING:** Exceeding the weight capacity can result in serious personal injury or damage to equipment! It is the installer's responsibility to make sure the combined weight of all components located between the MSP-DAR1B/DARKWD110B up to (and including) the display does not exceed 25 lbs (11.34 kg).

 **WARNING:** Use this mounting system only for its intended use as described in these instructions. Do not use attachments not recommended by the manufacturer.

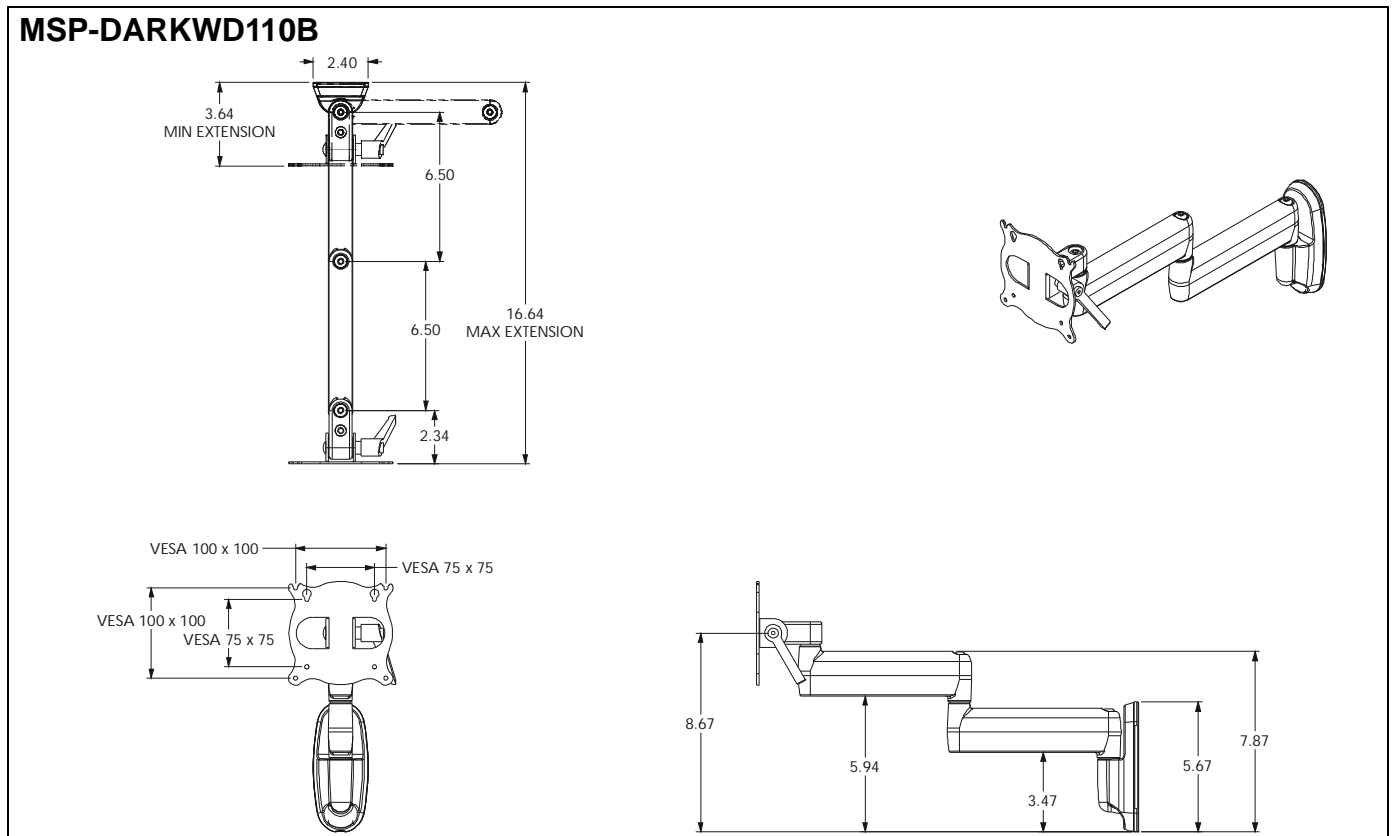
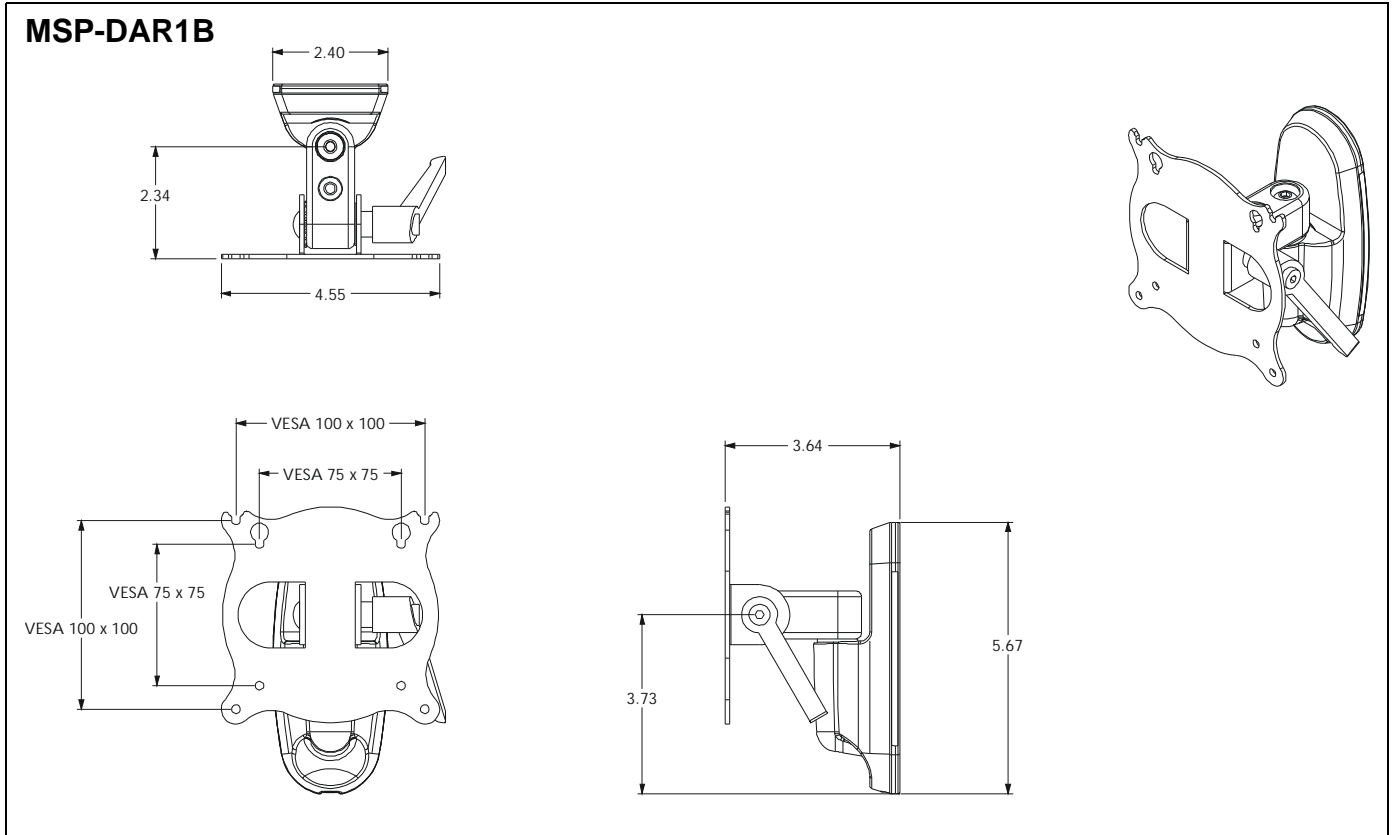
 **WARNING:** Never operate this mounting system if it is damaged. Return the mounting system to a service center for examination and repair.

 **WARNING:** Do not use this product outdoors.













IMPORTANT ! : The MSP-DAR1B/DARKWD110B mounts are designed to be mounted to a 2" x 4" wood studs (16" on center).

--SAVE THESE INSTRUCTIONS--

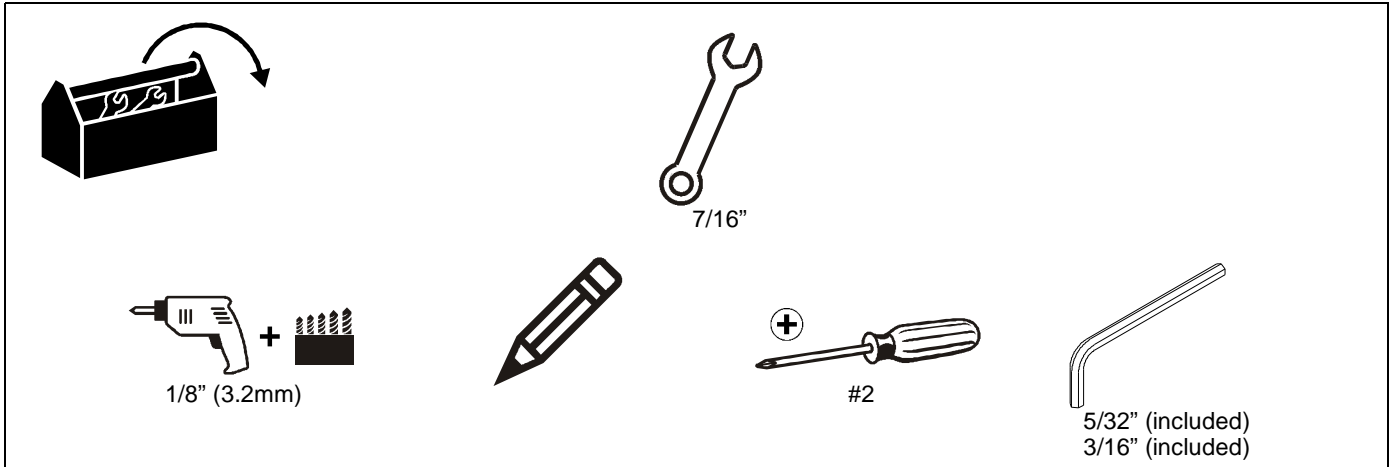
DIMENSIONS



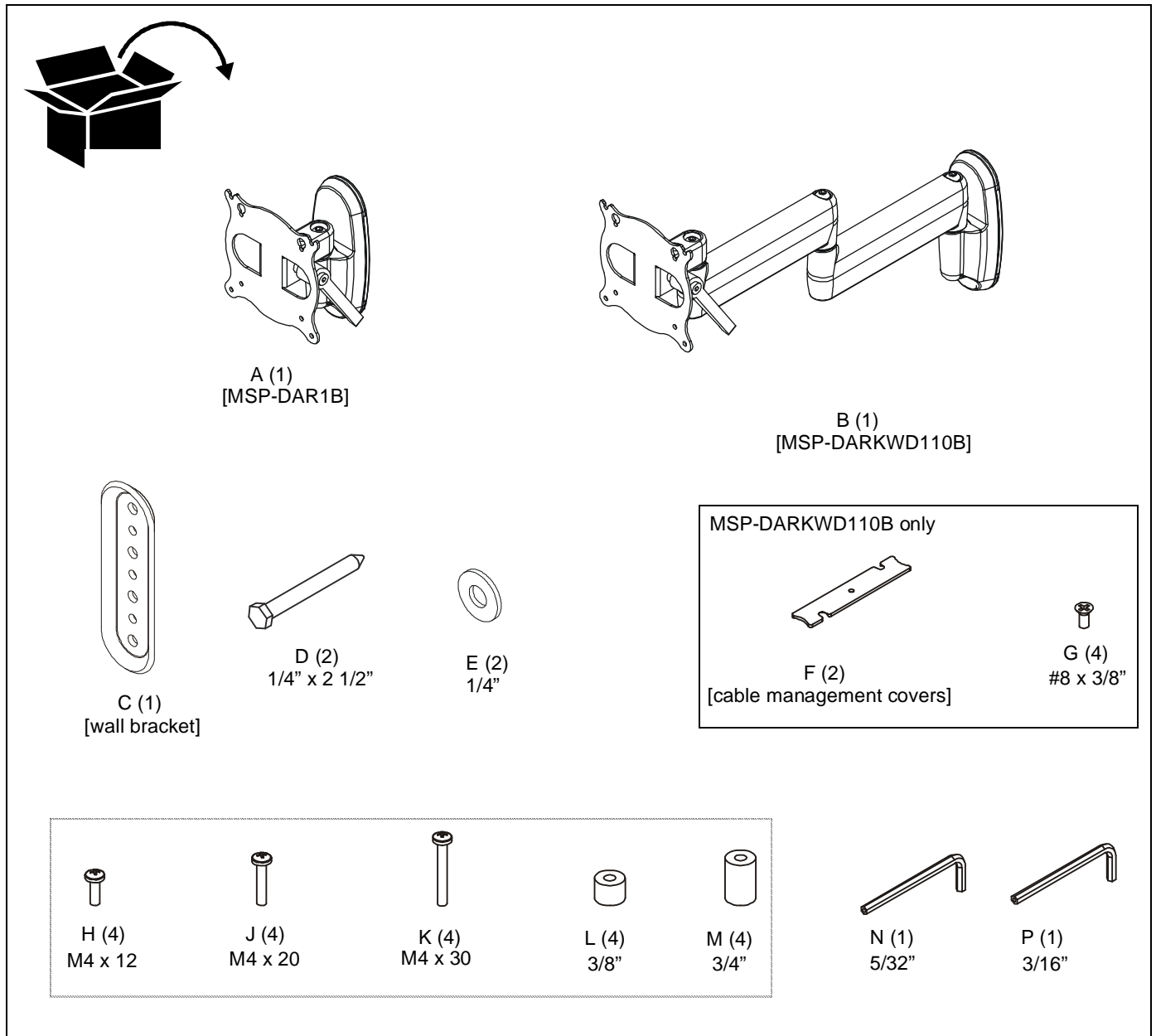
LEGEND

	Tighten Fastener Apretar elemento de fijación Befestigungsteil festziehen Apertar fixador Serrare il fissaggio Bevestiging vastdraaien Serrez les fixations		Pencil Mark Marcar con lápiz Stiftmarkierung Marcar com lápis Segno a matita Potloodmerkteken Marquage au crayon
	Loosen Fastener Aflojar elemento de fijación Befestigungsteil lösen Desapertar fixador Allentare il fissaggio Bevestiging losdraaien Desserrez les fixations		Drill Hole Perforar Bohrloch Fazer furo Praticare un foro Gat boren Percez un trou
	Phillips Screwdriver Destornillador Phillips Kreuzschlitzschraubendreher Chave de fendas Phillips Cacciavite a stella Kruiskopschroevendraaier Tournevis à pointe cruciforme		Adjust Ajustar Einstellen Ajustar Regolare Afstellen Ajuster
	Open-Ended Wrench Llave de boca Gabelschlüssel Chave de bocas Chiave a punte aperte Steeksleutel Clé à fourche		Remove Quitar Entfernen Remover Rimuovere Verwijderen Retirez
	By Hand A mano Von Hand Com a mão A mano Met de hand À la main		Optional Opcional Optional Opcional Opzionale Optie En option
	Hex-Head Wrench Llave de cabeza hexagonal Sechskantschlüssel Chave de cabeça sextavada Chiave esagonale Zeskantsleutel Clé à tête hexagonale		Security Wrench Llave de seguridad Sicherheitsschlüssel Chave de segurança Chiave di sicurezza Veiligheidsleutel Clé de sécurité

TOOLS REQUIRED FOR INSTALLATION



PARTS



Assembly And Installation

MOUNT INSTALLATION

1. Determine location for mount keeping in mind display size, extension, and pitch/roll requirements.

IMPORTANT ! : The MSP-DAR1B/DARKWD110B mounts are designed to be mounted to a 2" x 4" wood studs (16" on center).

2. Using bracket (C) as a template, mark location of two pilot holes. Use upper and lower holes in bracket (C). (See Figure 1)
3. Drill two 1/8" diameter pilot holes in mounting structure at marked locations. (See Figure 1) Ensure pilot holes are straight.

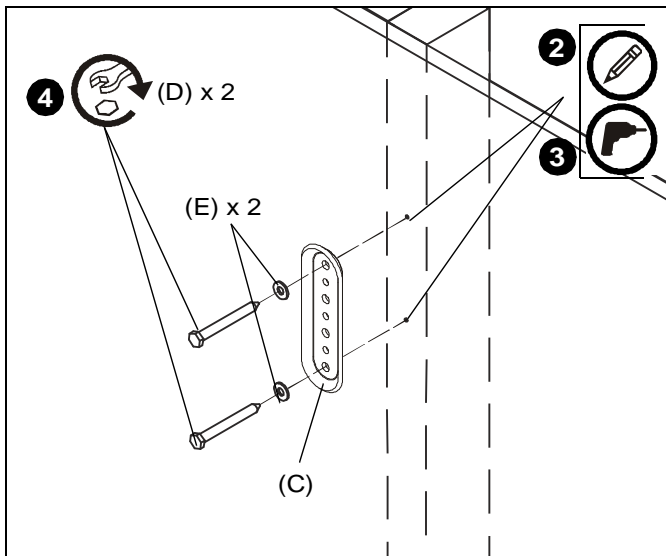


Figure 1

4. Install 1/4" x 2 1/2" hex head lag screws (D) through washers (E), bracket (C), and drywall into wood stud. (See Figure 1) Ensure bracket (C) is vertical, then tighten screws (D).

IMPORTANT ! : Over-tightening screws (D) may cause bracket (C) to compress into soft wall surface, resulting in damage to wall, difficult mount installation, and/or improper engaging of set screw in Step 6.

IMPORTANT ! : If you will be installing a display with RECESSED mounting holes, then proceed to "DISPLAY INSTALLATION" *before continuing* with this mount installation procedure.

5. Insert top of mount (A) over lip on top of bracket (C). (See Figure 2) Swing mount (A) down flush against wall.

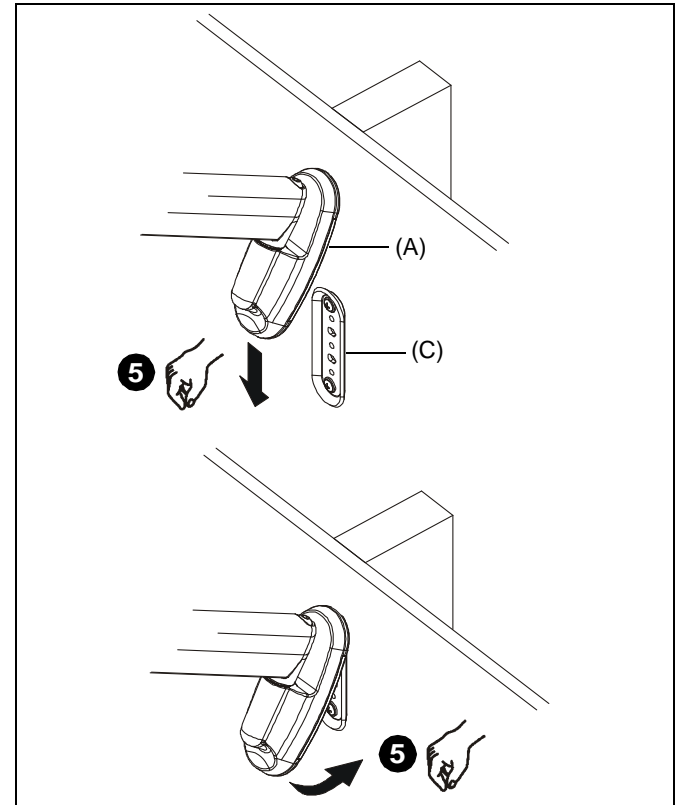


Figure 2

6. Using hex key (Q), tighten set screw. (See Figure 3) Ensure set screw engages *back* side of bracket (C) to properly secure mount.

NOTE: Proper engagement of set screw prevents lower end of mount (A) from being tilted away from wall.

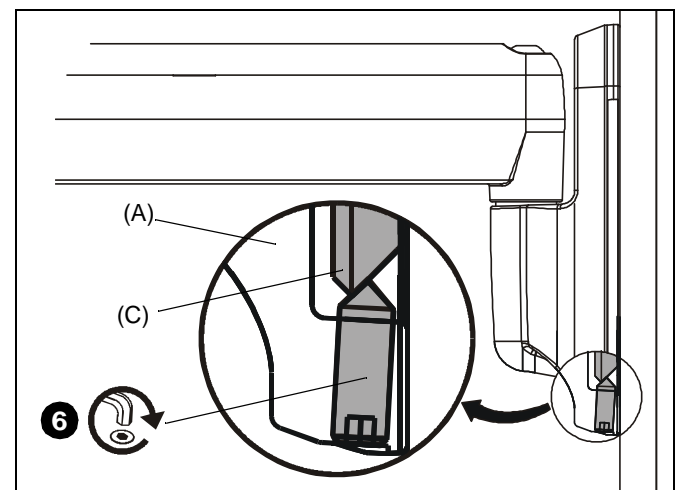


Figure 3

7. Proceed to "CABLE MANAGEMENT" if your display was *previously* installed, or to "DISPLAY INSTALLATION" if your display is *not* installed.

DISPLAY INSTALLATION



WARNING: Exceeding the weight capacity can result in serious personal injury or damage to equipment! It is the installer's responsibility to make sure the combined weight of all components located between the MSP-DAR1B/DARKWD110B up to (and including) the display does not exceed 25 lbs (11.34 kg).

FLUSH MOUNTING HOLES

1. Carefully install two Phillips pan machine screws (H) into the *upper* mounting holes on the display. Thread screws completely into display, then back out 3 complete turns. (See Figure 4)
2. Pick up and align display so that screws (H) fit into the mounting holes on the extreme pitch bracket. Lower the display firmly into place. (See Figure 4)
3. Carefully install two Phillips pan machine screws (H) into the lower mounting holes on the display to secure mount to display. (See Figure 4)
4. Tighten all four screws (H). Do not over-tighten!

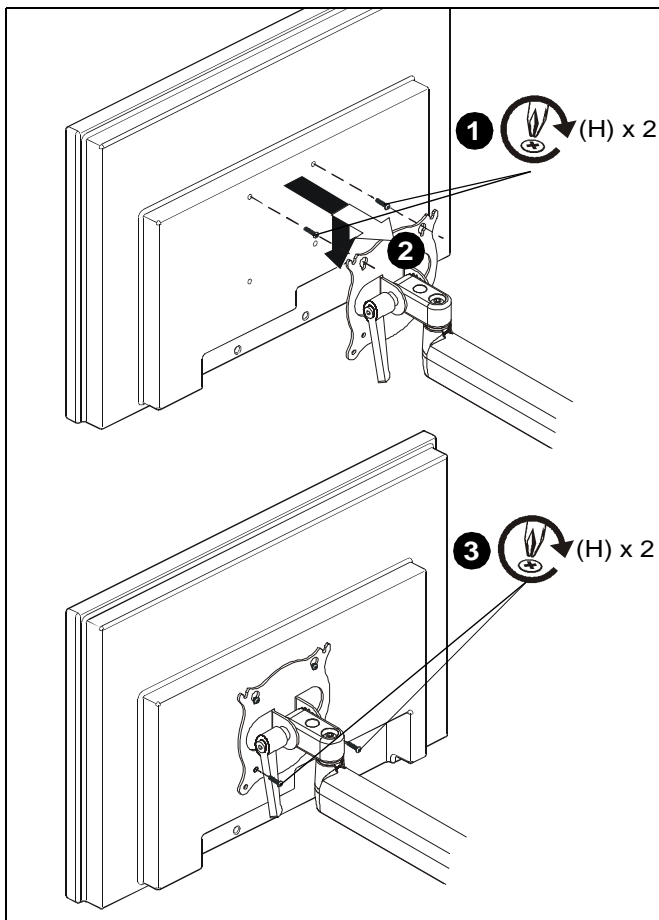


Figure 4

RECESSED MOUNTING HOLES

1. Carefully place display face down on protective surface.
2. Select spacers:
 - Place spacer (L or M, as applicable) over each mounting hole on back of display (See Figure 5). Select shortest spacer which will provide adequate fill. All spacers must be same length.

NOTE: 100 x 100 mounting hole pattern shown; 75 x 75mm pattern similar.

NOTE: In Figure 5 the swing arm has been removed for clarity.

3. Select screw *length*:
 - If using spacers (L), then use screws (J).
 - If using spacers (M), then use screws (K).
4. Orient mount (A or B) so that mounting holes in faceplate are aligned with holes in display or holes in spacers (J, K), as applicable.



CAUTION: Using screws of improper size may damage your display! Proper screws will easily and completely thread into display mounting holes.

5. Install screws (H, J or K; as applicable) through mounting holes on faceplate and spacers (L or M, if applicable) into display. (See Figure 5)
6. Tighten all four screws. Do not over-tighten!

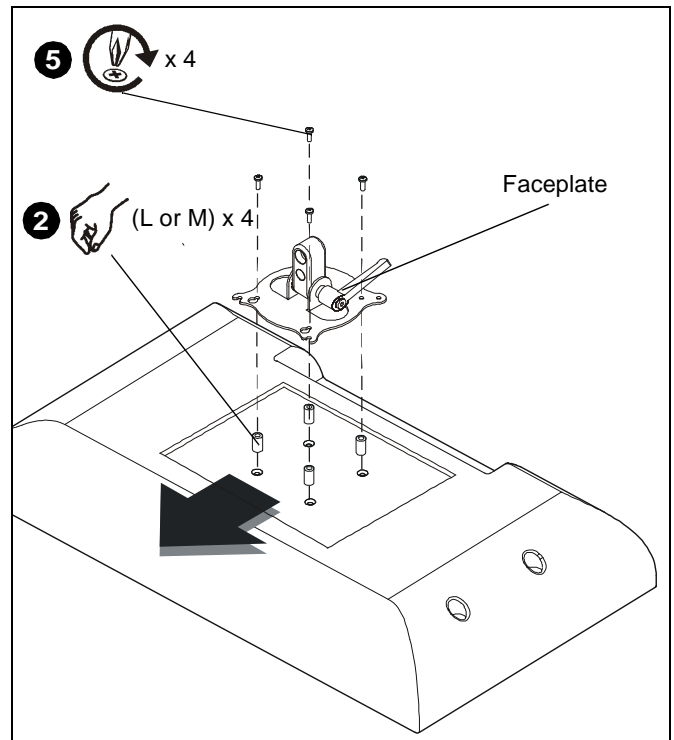


Figure 5

Cable Management (MSP-DARKWD110B only)

1. Attach all cables to display.



CAUTION: Ensure that adequate cable slack exists for movement of display, and that cables will not be pinched by installation of cover (F) or screws (G).

2. Carefully insert cables in cavity located in lower portion of mount arm. (See Figure 6)
3. Using Phillips screwdriver, install two covers (F) with four screws (G). (See Figure 6)

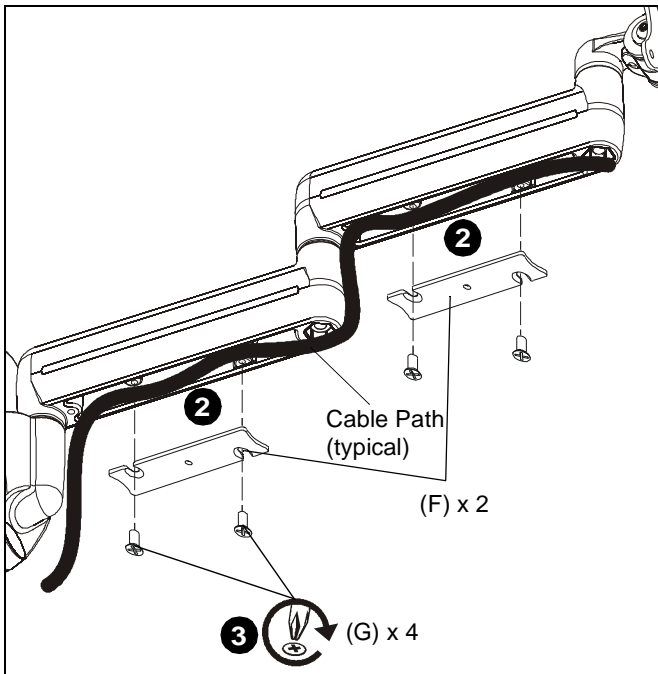


Figure 6

ADJUSTMENTS**Pitch Adjustment**

1. Pull entire handle out away from mount to allow handle position to be adjusted to be prior to pitch adjustment. (See Figure 7)

NOTE: In order to maximize leverage, position handle in lower position.

2. Adjust handle to desired position. (See Figure 7)
3. Push entire handle back towards mount prior to pitch adjustment. (See Figure 7)

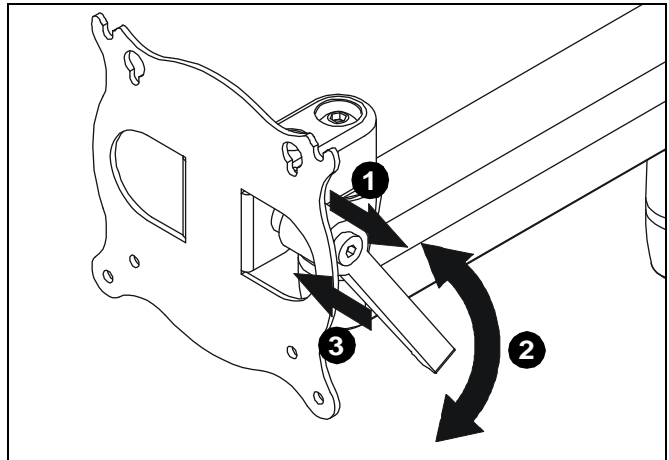


Figure 7

IMPORTANT ! : Make sure the weight of the display is adequately supported while adjusting the pitch in Steps 4-6!

4. Lift handle up until pitch can be adjusted easily. (See Figure 8)
5. Adjust pitch to desired position. (See Figure 8)
6. Push handle down until faceplate is locked at desired pitch position. (See Figure 8)

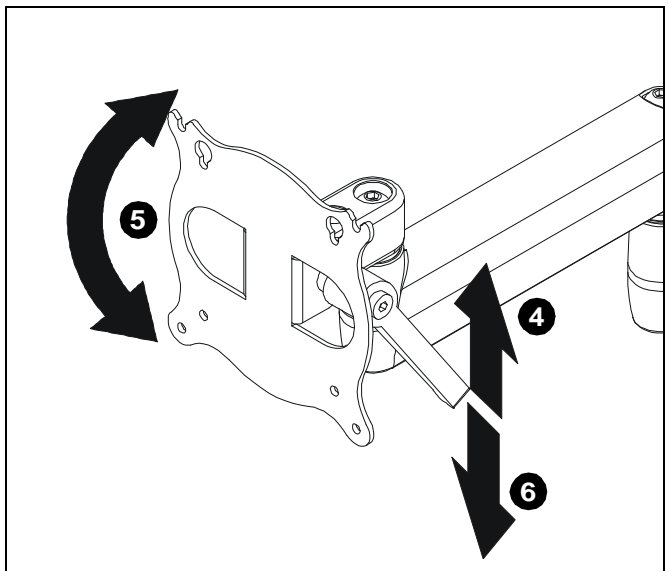


Figure 8

Pivot Tension



WARNING: Excessive loosening or tightening of adjustment mechanism can result in serious personal injury or damage to equipment!

1. To adjust pivot tension, slightly loosen or tighten adjustment screws using hex key (P). (See Figure 9) Adjust screws ONLY as required to achieve desired tension.

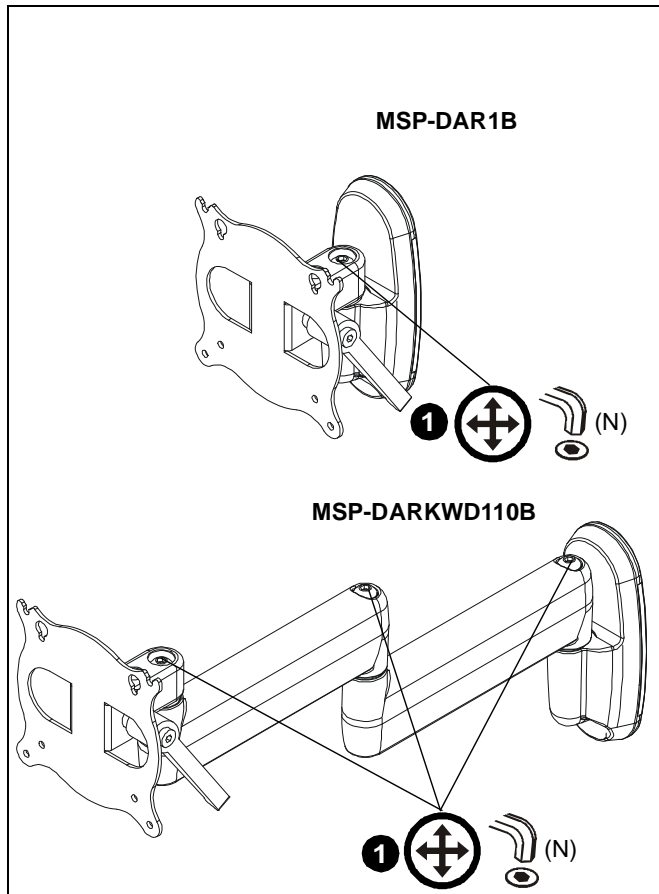


Figure 9



Our Mounts. **Your Vision.**

Chief Manufacturing, a products division
of Milestone AV Technologies

8800-002386 Rev00
©2013 Milestone AV Technologies, a
Duchossois Group Company
www.chiefmfg.com
06/13

USA/International	A 6436 City West Parkway, Eden Prairie, MN 55344
	P 800.582.6480 / 952.225.6000
	F 877.894.6918 / 952.894.6918
Europe	A Franklinstraat 14, 6003 DK Weert, Netherlands
	P +31 (0) 495 580 852
	F +31 (0) 495 580 845
Asia Pacific	A Office No. 1 on 12/F, Shatin Galleria 18-24 Shan Mei Street Fotan, Shatin, Hong Kong
	P 852 2145 4099
	F 852 2145 4477

