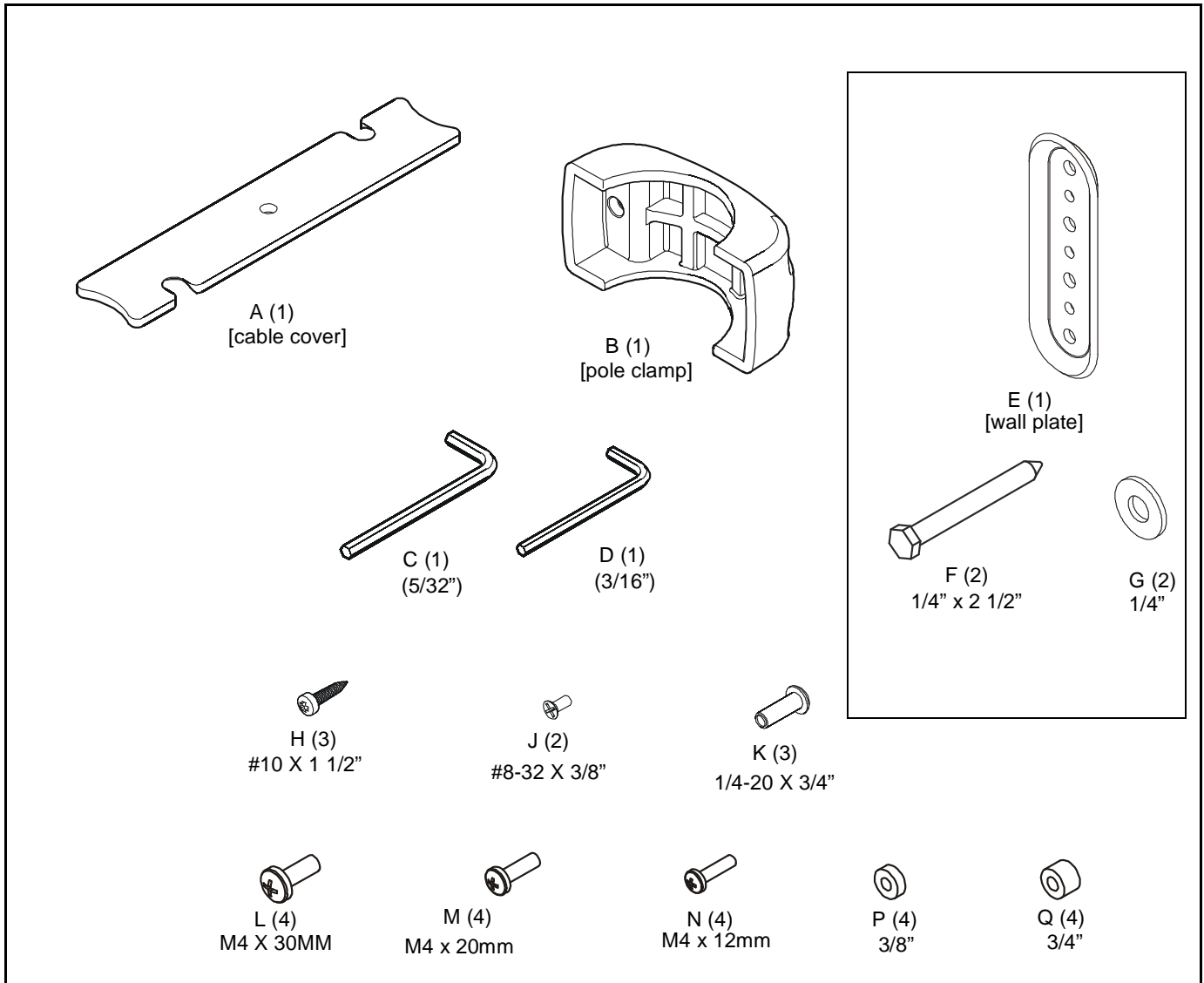


INSTALLATION INSTRUCTIONS

MSPDARAC2

Desk/Pole Spare Parts Kit



1. Verify all parts have been received and are undamaged.
2. Install components following the instructions provided with the mount. If you do not have the instructions provided with the mount, or are unsure of installation procedures, immediately contact a Chief Customer Service Representative.



WARNING: IMPROPER INSTALLATION CAN LEAD TO EQUIPMENT FALLING CAUSING SERIOUS PERSONAL INJURY OR DAMAGE TO EQUIPMENT! DO NOT substitute hardware!. Use only hardware provided.



Milestone AV Technologies, and its affiliated corporations and subsidiaries (collectively, "Milestone"), intend to make this manual accurate and complete. However, Milestone makes no claim that the information contained herein covers all details, conditions or variations, nor does it provide for every possible contingency in connection with the installation or use of this product. The information contained in this document is subject to change without notice or obligation of any kind. Milestone makes no representation of warranty, expressed or implied, regarding the information contained herein. Milestone assumes no responsibility for accuracy, completeness or sufficiency of the information contained in this document.