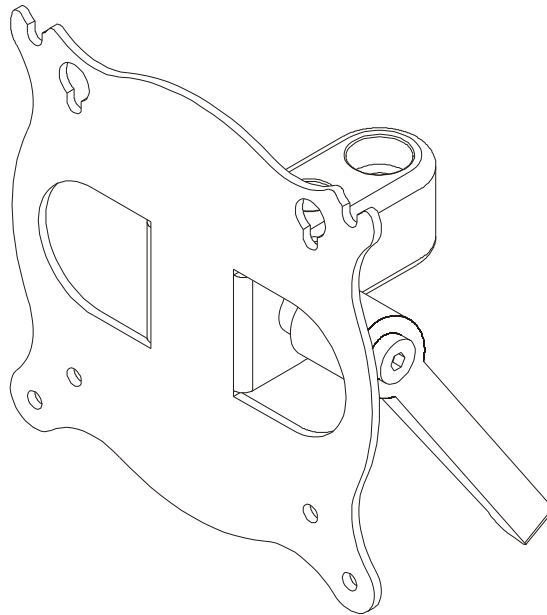

INSTALLATION INSTRUCTIONS



Extreme Pitch Mechanism

DISCLAIMER

Milestone AV Technologies and its affiliated corporations and subsidiaries (collectively "Milestone"), intend to make this manual accurate and complete. However, Milestone makes no claim that the information contained herein covers all details, conditions or variations, nor does it provide for every possible contingency in connection with the installation or use of this product. The information contained in this document is subject to change without notice or obligation of any kind. Milestone makes no representation of warranty, expressed or implied, regarding the information contained herein. Milestone assumes no responsibility for accuracy, completeness or sufficiency of the information contained in this document.

Chief® is a registered trademark of Milestone AV Technologies. All rights reserved.

! IMPORTANT SAFETY INSTRUCTIONS

! WARNING: A WARNING alerts you to the possibility of serious injury or death if you do not follow the instructions.

! CAUTION: A CAUTION alerts you to the possibility of damage or destruction of equipment if you do not follow the corresponding instructions.

! WARNING: Failure to read, thoroughly understand, and follow all instructions can result in serious personal injury, damage to equipment, or voiding of factory warranty! It is the installer's responsibility to make sure all components are

properly assembled and installed using the instructions provided.

! WARNING: Failure to provide adequate structural strength for this component can result in serious personal injury or damage to equipment! It is the installer's responsibility to make sure the structure to which this component is attached can support five times the combined weight of all equipment. Reinforce the structure as required before installing the component.

! WARNING: Exceeding the weight capacity can result in serious personal injury or damage to equipment! It is the installer's responsibility to make sure the combined weight of all components located between the MSP-DARAC3 up to (and including) the display does not exceed 20 lbs (9.1 kg).

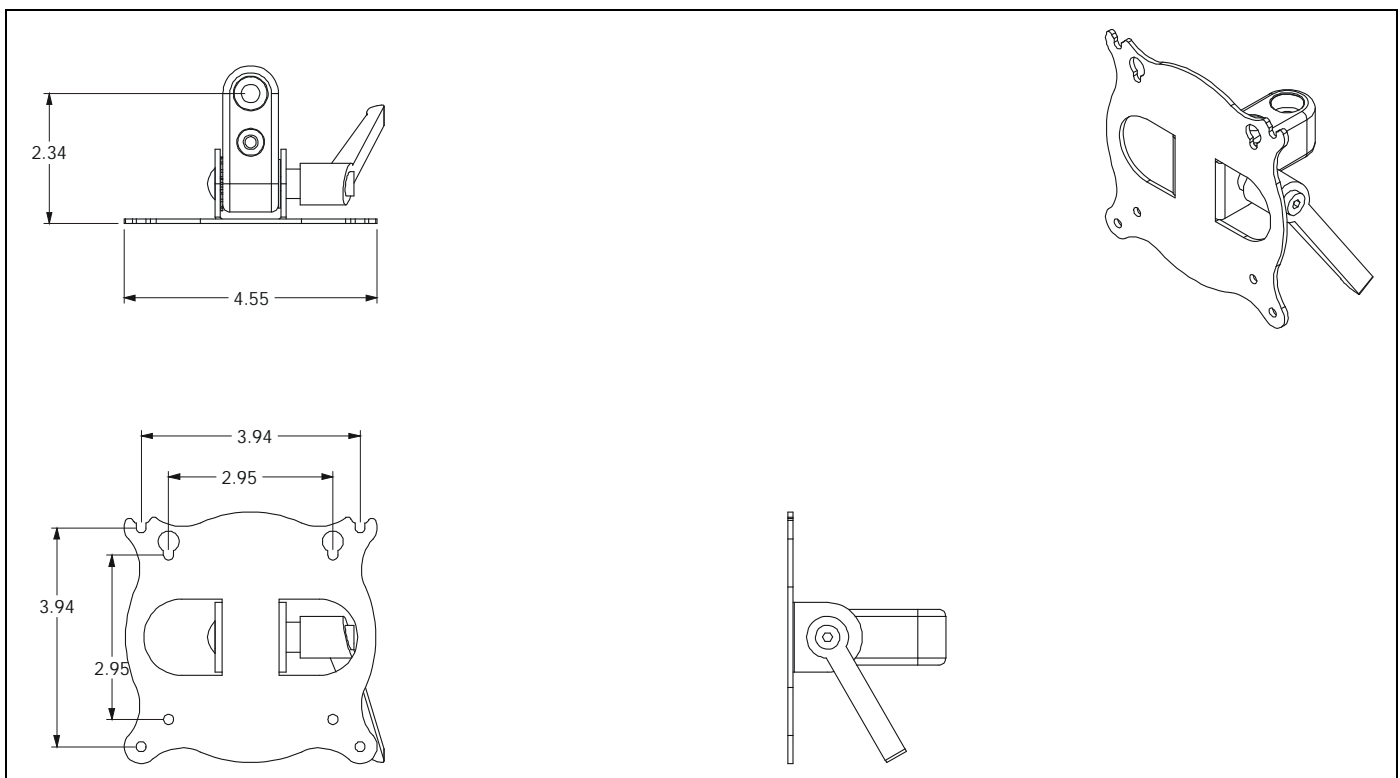
! WARNING: Use this mounting system only for its intended use as described in these instructions. Do not use attachments not recommended by the manufacturer.

! WARNING: Never operate this mounting system if it is damaged. Return the mounting system to a service center for examination and repair.

! WARNING: Do not use this product outdoors.

--SAVE THESE INSTRUCTIONS--

DIMENSIONS



LEGEND

	<p>Tighten Fastener</p> <p>Apretar elemento de fijación</p> <p>Befestigungsteil festziehen</p> <p>Apertar fixador</p> <p>Serrare il fissaggio</p> <p>Bevestiging vastdraaien</p> <p>Serrez les fixations</p>		<p>Pencil Mark</p> <p>Marcar con lápiz</p> <p>Stiftmarkierung</p> <p>Marcar com lápis</p> <p>Segno a matita</p> <p>Potloodmerkteken</p> <p>Marquage au crayon</p>
	<p>Loosen Fastener</p> <p>Aflojar elemento de fijación</p> <p>Befestigungsteil lösen</p> <p>Desapertar fixador</p> <p>Allentare il fissaggio</p> <p>Bevestiging losdraaien</p> <p>Desserrez les fixations</p>		<p>Drill Hole</p> <p>Perforar</p> <p>Bohrloch</p> <p>Fazer furo</p> <p>Praticare un foro</p> <p>Gat boren</p> <p>Percez un trou</p>
	<p>Phillips Screwdriver</p> <p>Destornillador Phillips</p> <p>Kreuzschlitzschraubendreher</p> <p>Chave de fendas Phillips</p> <p>Cacciavite a stella</p> <p>Kruiskopschroevendraaier</p> <p>Tournevis à pointe cruciforme</p>		<p>Adjust</p> <p>Ajustar</p> <p>Einstellen</p> <p>Ajustar</p> <p>Regolare</p> <p>Afstellen</p> <p>Ajuster</p>
	<p>Open-Ended Wrench</p> <p>Llave de boca</p> <p>Gabelschlüssel</p> <p>Chave de bocas</p> <p>Chiave a punte aperte</p> <p>Steeksleutel</p> <p>Clé à fourche</p>		<p>Remove</p> <p>Quitar</p> <p>Entfernen</p> <p>Remover</p> <p>Rimuovere</p> <p>Verwijderen</p> <p>Retirez</p>
	<p>By Hand</p> <p>A mano</p> <p>Von Hand</p> <p>Com a mão</p> <p>A mano</p> <p>Met de hand</p> <p>À la main</p>		<p>Optional</p> <p>Opcional</p> <p>Optional</p> <p>Opcional</p> <p>Opzionale</p> <p>Optie</p> <p>En option</p>
	<p>Hex-Head Wrench</p> <p>Llave de cabeza hexagonal</p> <p>Sechskantschlüssel</p> <p>Chave de cabeça sextavada</p> <p>Chiave esagonale</p> <p>Zeskantsleutel</p> <p>Clé à tête hexagonale</p>		<p>Security Wrench</p> <p>Llave de seguridad</p> <p>Sicherheitsschlüssel</p> <p>Chave de segurança</p> <p>Chiave di sicurezza</p> <p>Veiligheidsleutel</p> <p>Clé de sécurité</p>

TOOLS REQUIRED FOR INSTALLATION

- Phillips screwdrivers, No. 1 and No. 2
- 5/32" Hex Wrench

NOTE: Other tools may be required depending on your method of installation.

PARTS

Unpack carton, inspect and verify contents. Read installation instructions completely. If any listed parts are missing, contact a Chief Customer Service Representative.

Table 1: Parts

Item	Description	Qty
10	EXTENDED PITCH MECHANISM	1
20	WASHER, Flat, UHMW, 640ID X .845OD X .094	1
30*	SCREW, Button Head Cap, 5/16-18 X 2.75"	1
30**	SCREW, Button Head Cap, 5/16-18 X 3.75"	1
40	PIN, PIVOT, SFP HRA	1
50	WASHER, FLAT, .563 X .320 X .018 SS	2
60	WASHER, UHMWPE, .318 x .562 x .031	1
70	LNNY2518Z105	1
80	SCREW, Phillips Pan Head, M4 X 12mm	4
90	SCREW, Phillips Pan Head, M4 X 20mm	4
100	SPACER, Nylon, 3/8" (Used with item 90)	4
110	SCREW, Phillips Pan Head, M4 X 30mm	4
120	SPACER, Nylon, 3/4" (Used with item 110)	4
130	WRENCH, Hex, 3/16"	1

* Used if mount has a Swing Arm
 ** Used if mount has a Height Adjustable arm

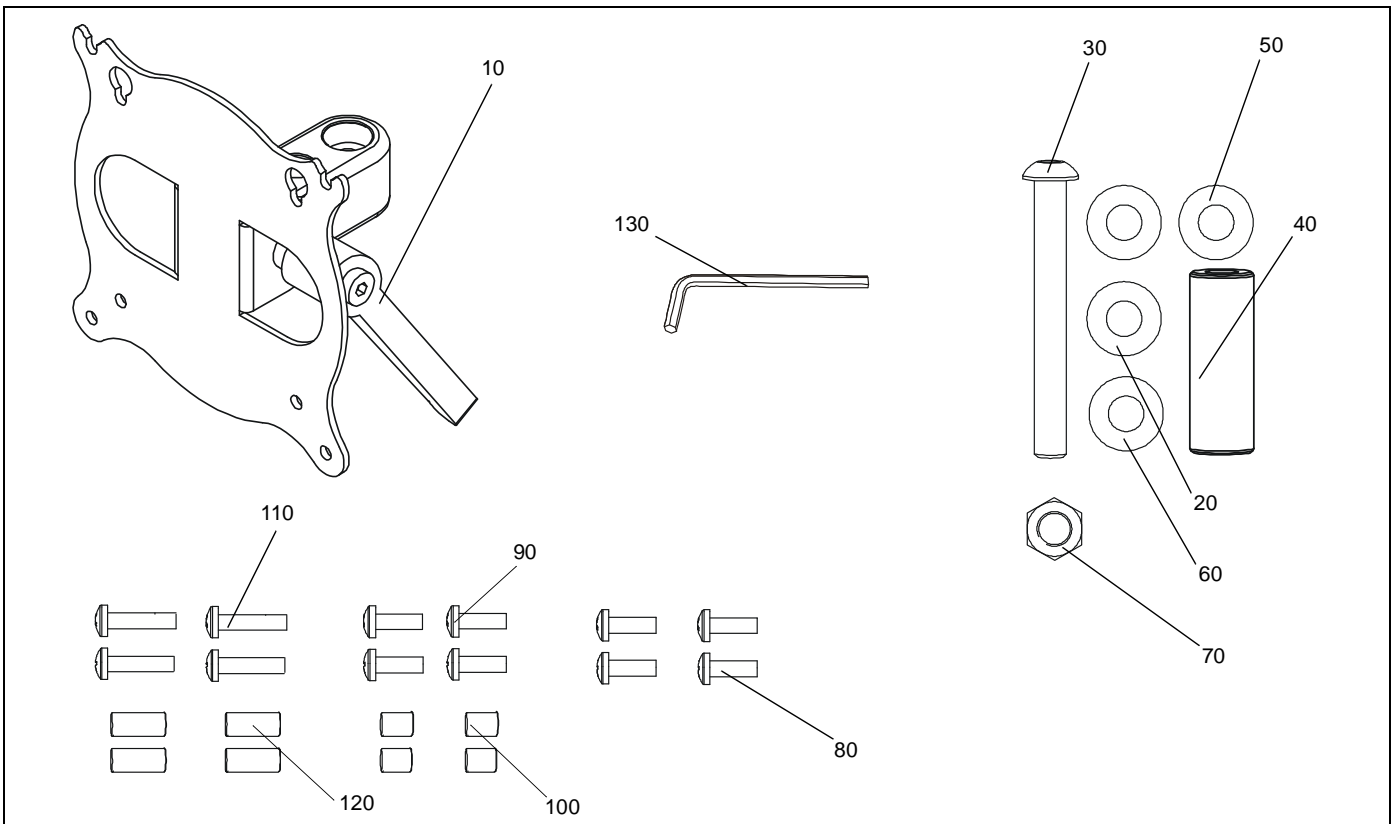


Figure 1: PARTS

INSTALLATION

Preparation of Existing Mount

If the MSP-DARAC3 is being used on an existing mount, the display must be removed and mount modified before proceeding with installation. If the MSP-DARAC3 is being used with a new mount, proceed to MSP-DARAC3 Installation below.

To remove display:

1. Disconnect power/audio/video cables from display.
2. Remove 5/16-18 button head cap screw (30), three flat washers (20, 50 and 60), pivot pin (40), and locknut (70) from mount.
3. Remove screws securing display to interface.

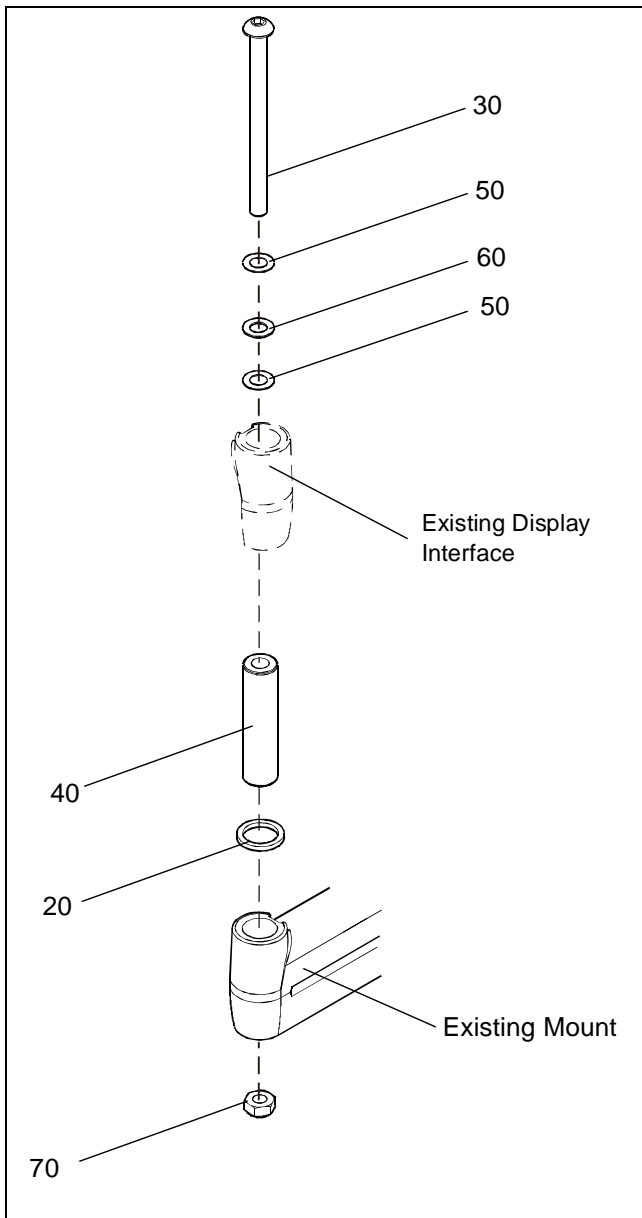


Figure 2

Display Installation

The MSP-DARAC3 is designed to be mounted to displays with either a flush or recessed back, and VESA® compliant 75mm x 75mm or 100mm x 100mm mounting patterns.

The mounting pattern in display must be identified before proceeding. After identification, choose the appropriate display installation instructions below.



CAUTION: IMPROPER INSTALLATION CAN LEAD TO DISPLAY FALLING! The MSP-DARAC3 is designed to accommodate displays with either a VESA® 75mm x 75mm or 100mm x 100mm mounting pattern. If the display being mounted has a different mounting pattern, a custom interface must be used.

Flush VESA® Mount Installation



CAUTION: IMPROPER INSTALLATION CAN LEAD TO DISPLAY FALLING! Use only hardware provided and referenced within these instructions. DO NOT substitute!

1. Place display face down on a clean dry surface.
2. Orient extended pitch mechanism with display top. (See Figure 3)
3. Align four mounting holes in extended pitch mechanism (10) with four mounting holes in display back. (See Figure 3)
4. Secure extended pitch mechanism (10) to display using four M4 x 12mm Phillips pan head screws (80). (See Figure 3)
5. Proceed to **Installing MSP-DARAC3 with Display to Mount** section.

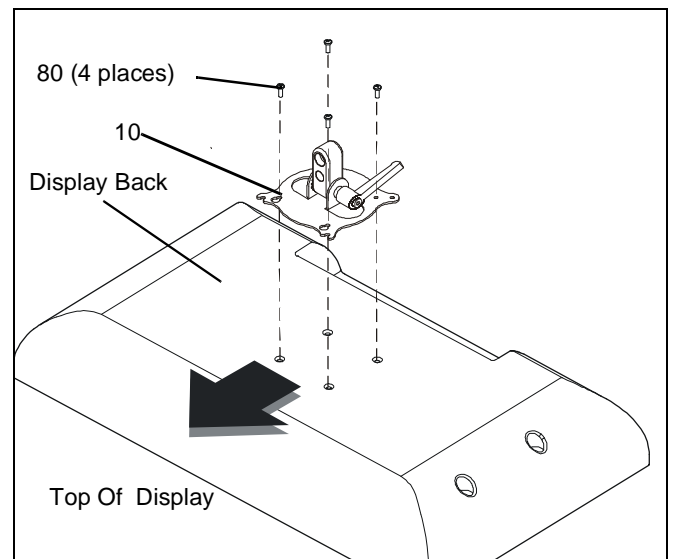


Figure 3

Recessed VESA Mount Installation



CAUTION: IMPROPER INSTALLATION CAN LEAD TO DISPLAY FALLING! Use only hardware provided and referenced within these instructions. DO NOT substitute!

1. Place display face down on a clean dry surface.
2. Orient extended pitch mechanism with display top.
3. Place four spacers (100 or 120) over mounting holes in display back.

NOTE: Spacers may not be required on some displays.

4. Align four mounting holes in extended pitch mechanism (10) over four spacers (100 or 120).
5. Secure extended pitch mechanism (10) to display using four Phillips pan head screws (90 or 110).
6. Proceed to **Installing MSP-DARAC3 with Display to Mount** section.

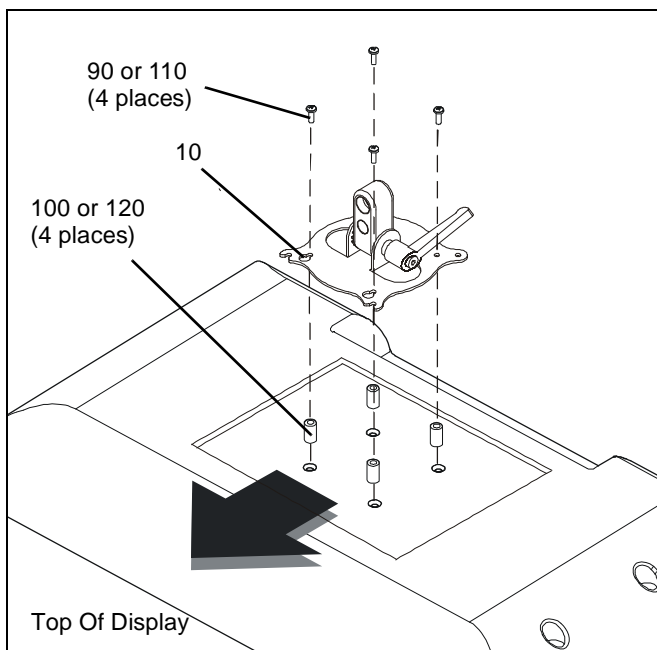


Figure 4

Installing MSP-DARAC3 with Display to Mount



WARNING: IMPROPER INSTALLATION CAN LEAD TO DISPLAY FALLING! The combined weight of the display placed on the MSP-DARAC3 must not exceed 20 lbs. (9.1kg), the maximum load capacity of the MSP-DARAC3.



CAUTION: IMPROPER INSTALLATION CAN LEAD TO DISPLAY FALLING! Use only hardware provided and referenced within these instructions. DO NOT substitute!

1. Place one UHMW washer (20) into recessed seat in existing mount. (See Figure 5)
2. Insert pivot pin (40) through UHMW washer (20) and into existing mount. (See Figure 5)
3. Assemble two flat washers (50) to one button head cap screw (30). (See Figure 5)

IMPORTANT ! : Length of BHCS (30) varies depending upon type of existing mount. If existing mount is "swing arm" use 5/16-18 x 2.75" cap screw, if existing mount is "height adjustable" use 5/16-18 x 3.75" cap screw.

4. Align mounting hole in extreme pitch mechanism (10) with mounting hole in mount. (See Figure 5)
5. Insert locknut (70) up into bottom mounting hole in mount. (See Figure 5)

IMPORTANT ! : Crown of locknut (70) should be facing downward when properly oriented.

6. Insert button head cap screw (30) with washers (50 and 60) down through pivot pin (40) in mount and thread into locknut (70). (See Figure 5)

NOTE: It may be necessary to hold locknut (70) in place while assembling to button head cap screw (30).

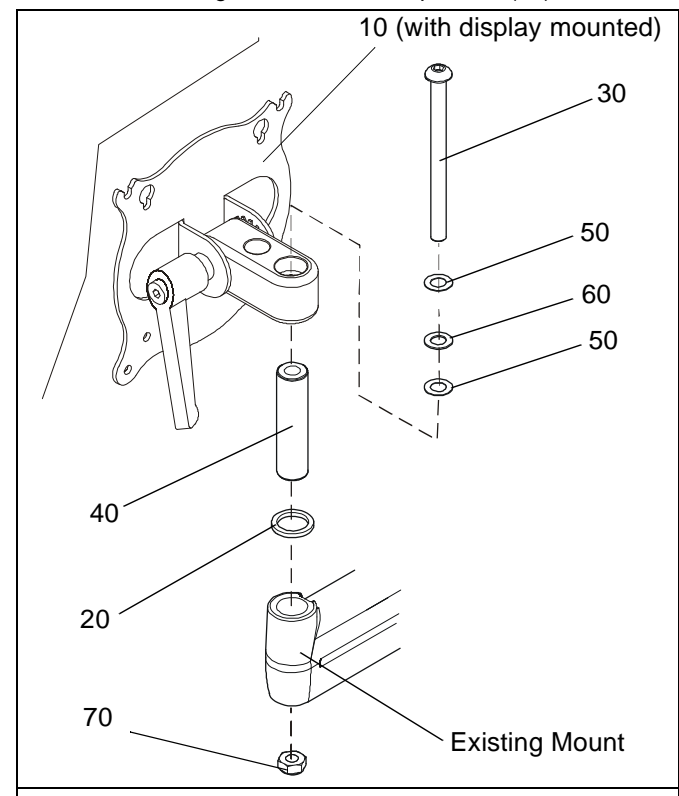


Figure 5

ADJUSTMENTS

The MSP-DARAC3 provides for up to 90° of upward pitch, and 25° of downward pitch.

Pitch Adjustment

1. Pull entire handle out away from mount to allow handle position to be adjusted to be prior to pitch adjustment. (See Figure 6)

NOTE: In order to maximize leverage, position handle in lower position.

2. Adjust handle to desired position. (See Figure 6)
3. Push entire handle back towards mount prior to pitch adjustment. (See Figure 6)

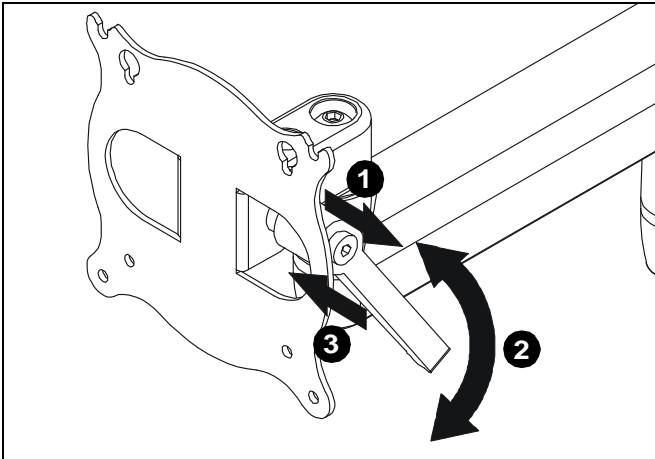


Figure 6

IMPORTANT ! : Make sure the weight of the display is adequately supported while adjusting the pitch in Steps 4-6!

4. Lift handle up until pitch can be adjusted easily. (See Figure 7)
5. Adjust pitch to desired position. (See Figure 7)
6. Push handle down until faceplate is locked at desired pitch position. (See Figure 7)

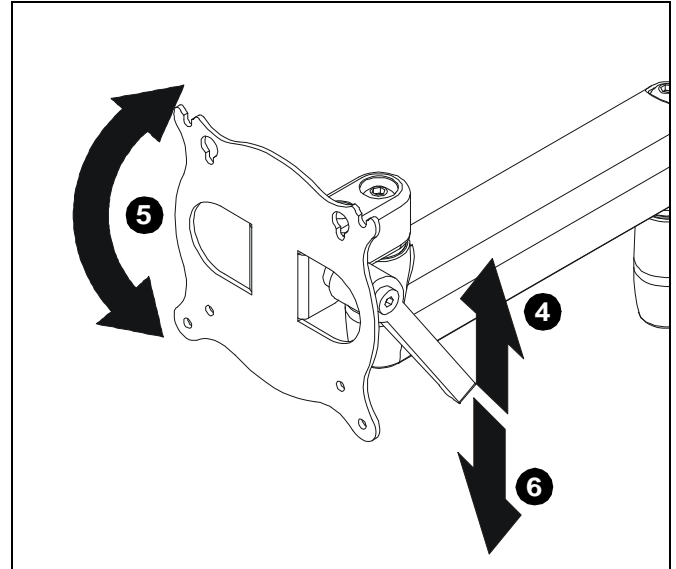


Figure 7



Our Mounts. **Your Vision.**

Chief Manufacturing, a products division
of Milestone AV Technologies

8800-002322 Rev00
©2013 Milestone AV Technologies, a
Duchossois Group Company
www.chiefmfg.com
05/13

USA/International	A 6436 City West Parkway, Eden Prairie, MN 55344 P 800.582.6480 / 952.225.6000 F 877.894.6918 / 952.894.6918
Europe	A Franklinstraat 14, 6003 DK Weert, Netherlands P +31 (0) 495 580 852 F +31 (0) 495 580 845
Asia Pacific	A Office No. 1 on 12/F, Shatin Galleria 18-24 Shan Mei Street Fotan, Shatin, Hong Kong P 852 2145 4099 F 852 2145 4477

