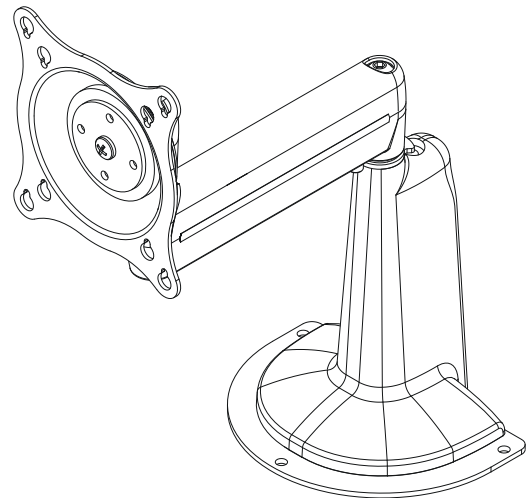

INSTALLATION INSTRUCTIONS

Small Flat Panel Swing Arm Mount - Top Down Installation

Model: MSP-DARKCS1B

Specifications:

- Designed for top-down installation.
- Weight capacity of 40 lbs (18 kg).



BEFORE YOU BEGIN



WARNING: It is the installer's responsibility to make sure all components are properly assembled and installed using the instructions provided. Failure to read, thoroughly understand, and follow all instructions can result in serious personal injury, damage to equipment, or voiding of factory warranty.

- If you have any questions about these instructions or your specific installation, contact Chief Manufacturing at 1-800-582-6480 or 952-894-6280.

! IMPORTANT WARNINGS AND CAUTIONS!

WARNING: A WARNING alerts you to the possibility of serious injury or death if you do not follow the instructions.

CAUTION: A CAUTION alerts you to the possibility of damage or destruction of equipment if you do not follow the corresponding instructions.



WARNING: Failure to provide adequate structural strength for this component can result in serious personal injury or damage to equipment! It is the installer’s responsibility to make sure the structure to which this component is attached can support five times the combined weight of all equipment. Reinforce the structure as required before installing the component.



WARNING: Exceeding the weight capacity can result in serious personal injury or damage to equipment! It is the installer’s responsibility to make sure the combined weight of all components attached to the MSP-DARKCS1B (including the display) does not exceed 40 lbs (18 kg).

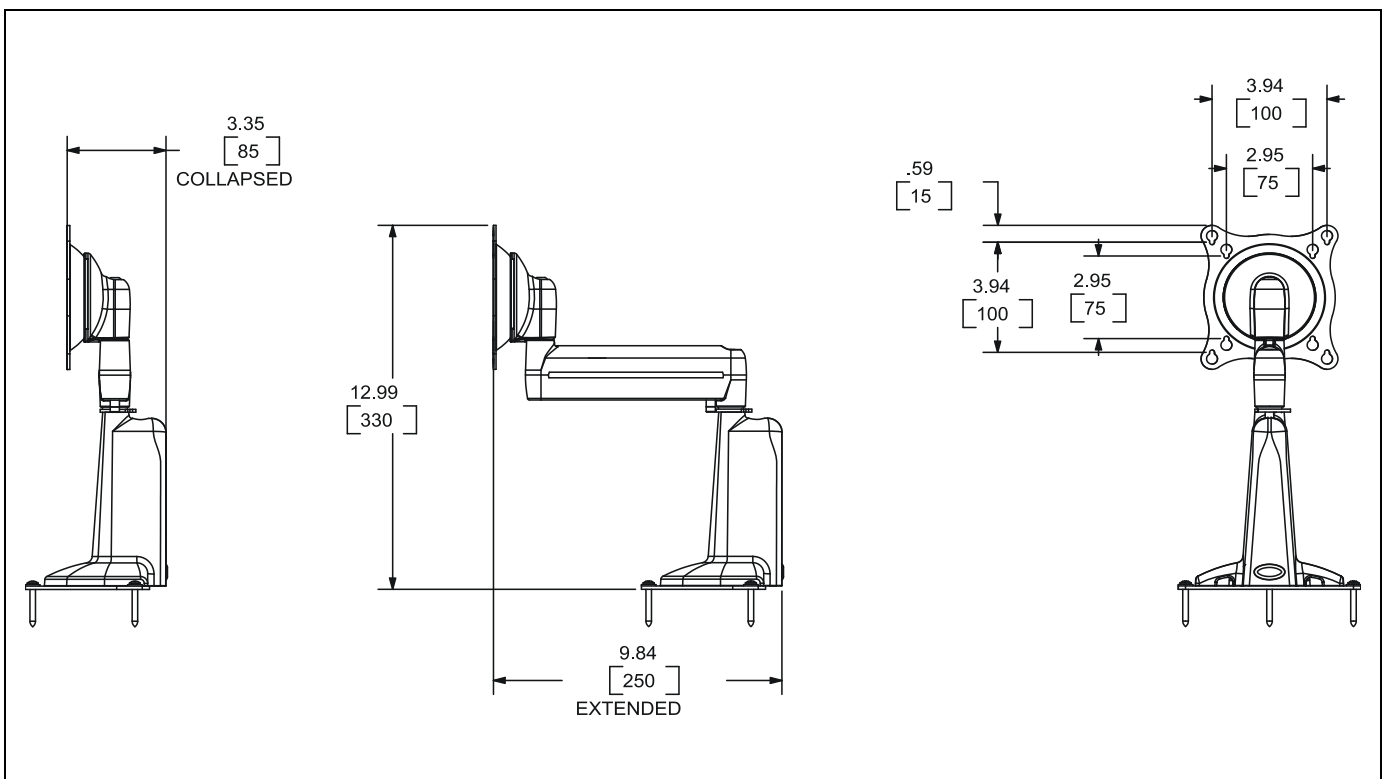


WARNING: Allowing any part of your body or component cables to be caught between movable parts can result in serious personal injury or damage to equipment!



CAUTION: Overtightening fasteners may result in improper operation, excessive wear or damage to equipment, and/or voiding of factory warranty!

DIMENSIONS



TOOLS REQUIRED FOR INSTALLATION

- Phillips Screwdriver, #1 and #2
- Drill
- 1/8" Drill Bit
- 3/16" Hex Key (included)

NOTE: Other tools may be required depending on your method of installation.

PARTS

After unpacking carton, inspect and verify contents (See Figure 1). If any listed parts are missing or damaged, contact Chief Customer Service at 1-800-582-6480.

Table 1: Parts

Item	Description	Qty
10	MOUNT, MSP-DARKCS1B	1
20	SCREW, Phillips Pan Machine, M4 x 12mm	4
30	SCREW, Phillips Pan Machine, M4 x 20mm	4
40	SCREW, Phillips Pan Machine, M4 x 30mm	4
50	SPACER, Nylon, 3/8" long	4
60	SPACER, Nylon, 3/4" long	4
70	SCREW, Phillips Pan Sheet Metal, #10 x 1-1/2"	3
80	WASHER, Flat, Machine, #10	3
90	SCREW, Phillips Flat Machine, #8-32 x 3/8"	2
100	COVER, Cable Management	1
110	KEY, Hex, 3/16"	1

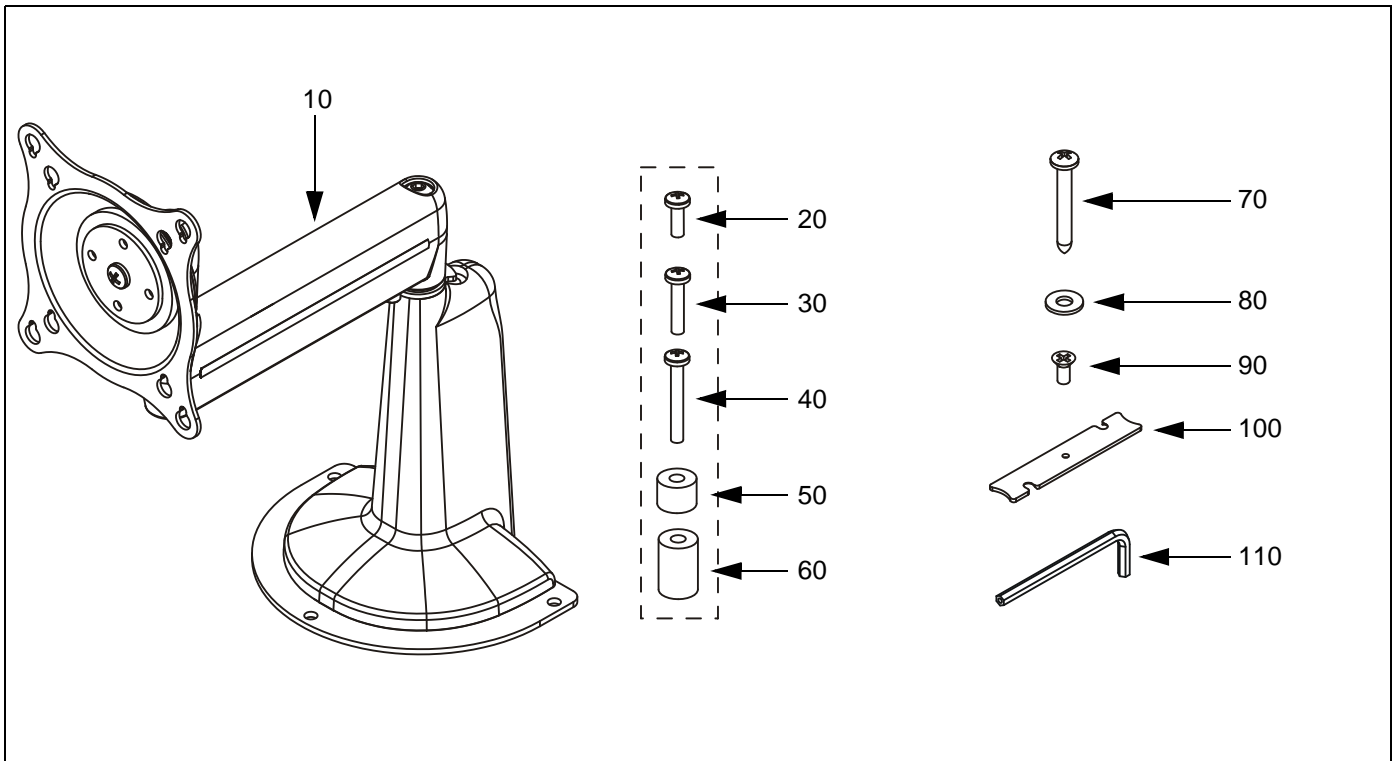


Figure 1: Parts

MOUNT INSTALLATION

1. Determine approximate location for mount keeping in mind display size, arm extension, and pitch/roll requirements.
2. Using mount (10) as a template, mark location of three pilot holes.
3. Drill three 1/8" diameter pilot holes in mounting structure at locations marked in previous step (See Figure 2). Ensure pilot holes are straight.

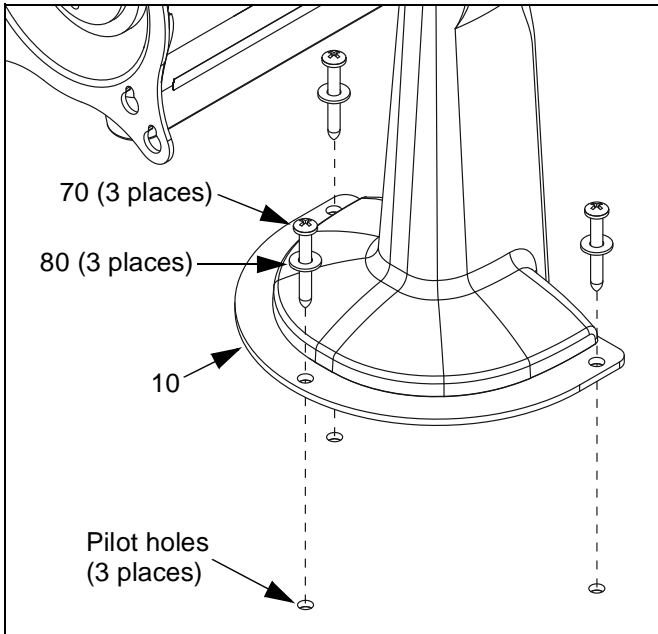


Figure 2: Install Mount

IMPORTANT ! : IF you will be installing a display with RECESSED mounting holes, then install display to mount *before continuing* with this mount installation procedure. Proceed to "DISPLAY INSTALLATION."

4. Using Phillips screwdriver, install screws (70) through washers (80) and mount (10) into pilot holes (See Figure 2). Tighten securely.
5. Proceed to:
 - "DISPLAY INSTALLATION" for display with *flush* mounting holes, or to
 - "CABLE MANAGEMENT" for display with *recessed* mounting holes.

DISPLAY INSTALLATION

The mounting holes on the back of your display will either be *flush with* the back surface, or *recessed into* the back surface. Refer to the applicable installation procedure.

FLUSH MOUNTING HOLES

1. Ensure Centris bracket is able to swivel and tilt easily, and yet still be tight enough to hold display in desired position. Adjust as required before proceeding. See "ADJUSTMENT" for detail.



CAUTION: Using screws of improper size may damage your display! Proper screws will easily and completely thread into display mounting holes.



CAUTION: Inadequate thread engagement in display may cause display to fall! Back out screws **ONLY** as necessary to allow installation of Centris bracket!

2. Using Phillips screwdriver, carefully install two screws (20) into the *upper* mounting holes on the display. Thread screws completely into display, then back out 3 complete turns.
3. Pick up and align display so that screws (20) (installed on the back of the display in the previous step) fit into the *upper* mounting holes on the Centris bracket; rotate the bracket as required (See Figure 3). Lower the display firmly into place.

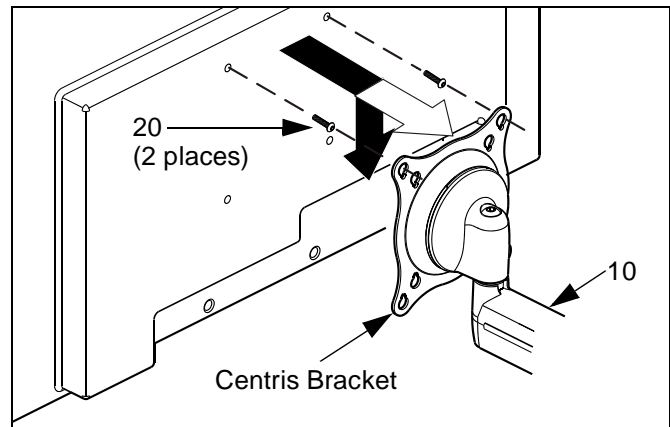


Figure 3: Display Installation - Flush Mount

4. Using Phillips screwdriver, install two remaining screws (20) through the lower mounting holes in Centris bracket into the display.
5. Tighten all four screws (20). Do not overtighten!
6. Proceed to "CABLE MANAGEMENT."

RECESSED MOUNTING HOLES

1. Ensure Centris bracket is able to swivel and tilt easily, and yet still be tight enough to hold display in desired position. Adjust as required before proceeding. See "ADJUSTMENT" for detail.
2. Carefully place display face down on protective surface.
3. Determine depth of recessed mounting holes relative to back surface of display (against which Centris head will contact).
4. Select proper length spacer and screw from table below:

NOTE: All spacers used should be the same length. If the recess depths result in multiple spacer lengths, then select the longer spacer.

IF recess DEPTH is:	THEN use spacer:	AND screw:
3/8" or less	50 (3/8" long)	30 (M4 x 20mm)
More than 3/8" up to and including 3/4"	60 (3/4" long)	40 (M4 x 30mm)

5. Place the four selected spacers over each of the mount holes on the back of the display.
6. Pick up and orient the mount (10) such that the mounting holes in the Centris bracket are aligned with the holes in the spacers; rotate the bracket as required (See Figure 4).



CAUTION: Using screws of improper size may damage your display! Proper screws will easily and completely thread into display mounting holes.

7. Using Phillips screwdriver, install four selected screws through the mounting holes in Centris bracket, through the spacers, into the display (See Figure 4). Tighten all four screws. Do not overtighten!
8. Continue with "MOUNT INSTALLATION."

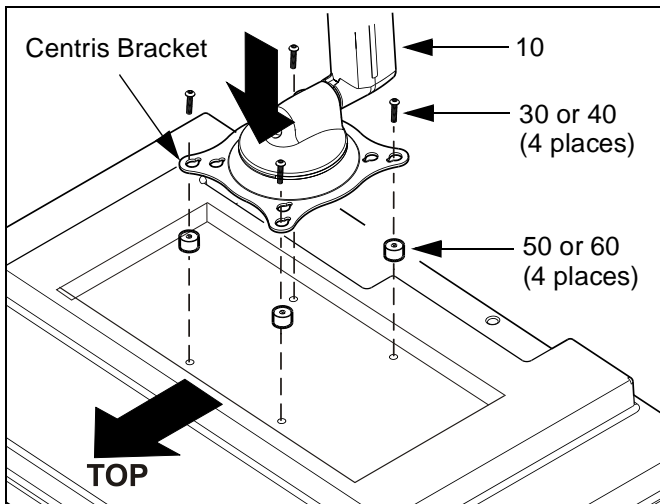


Figure 4: Display Installation - Recessed Mount

CABLE MANAGEMENT

1. Attach all cables to display.



CAUTION: Ensure that adequate cable slack exists for movement of display, and that cables will not be pinched by installation of cover (100) or screws (90).

2. Attach cables to mount arm (See Figure 5):

- Carefully position cables in cavity located in lower portion of mount arm.
- Using Phillips screwdriver, install cover (100) with two screws (90).

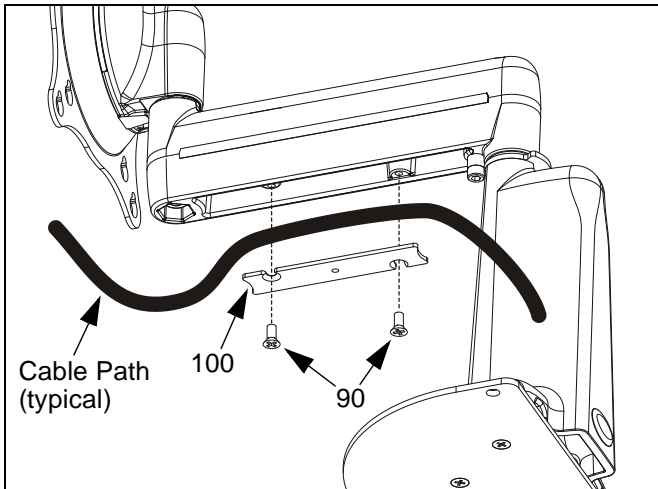


Figure 5: Cable Management

3. Installation is complete.

NOTE: If display is not or will not remain in desired position, see "ADJUSTMENT."

ADJUSTMENT

SWING ARM

1. Using key (110), slightly loosen or tighten the adjustment screw(s) as necessary (See Figure 6).

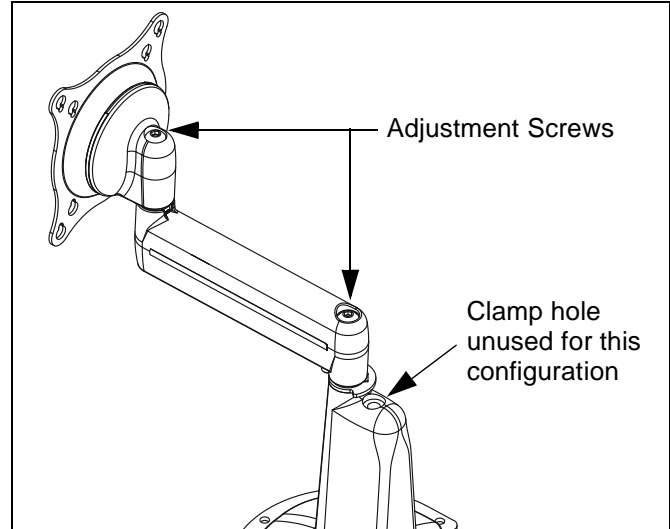


Figure 6: Swing Arm Adjustment

CENTRIS HEAD

1. If previously attached, disconnect cables from display, then remove display.
2. Using Phillips screwdriver, slightly loosen or tighten the adjustment screw as necessary (See Figure 7).

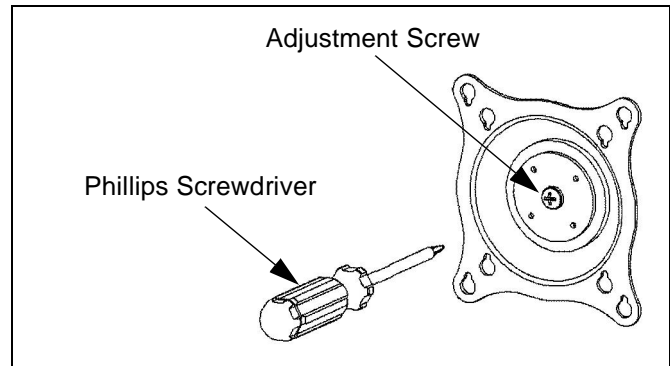


Figure 7: Single Display Adjustment

3. Install mount and then display cables. See "DISPLAY INSTALLATION."