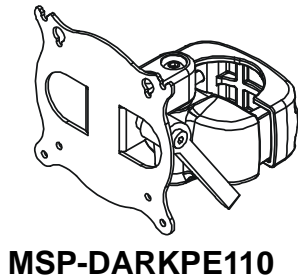
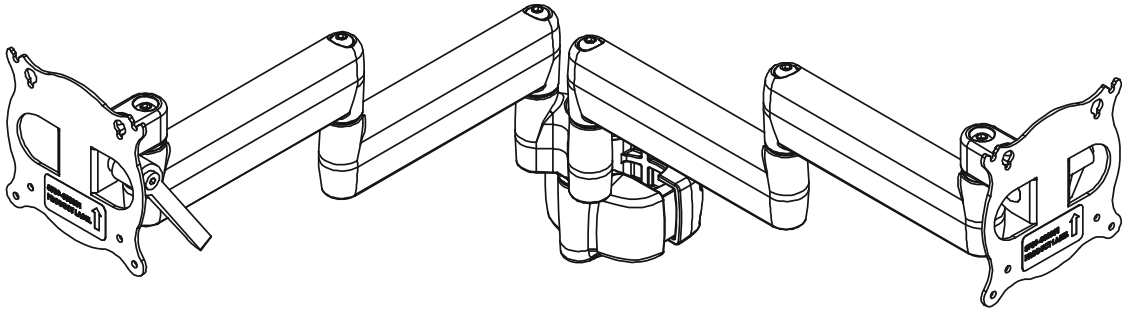
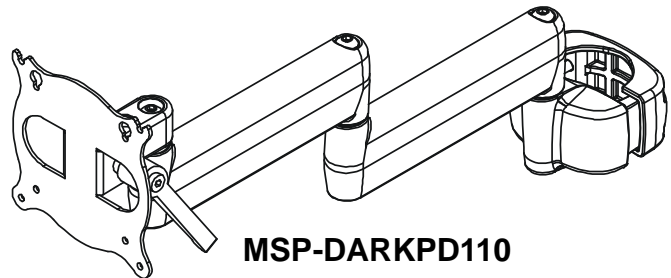

INSTALLATION INSTRUCTIONS

MSP-DARKPY220



MSP-DARKPE110



MSP-DARKPD110

Extreme Pitch Pole Mount

 **CHIEF**[®] MSP-DARKPE110,PD110,PY220

Our Mounts. Your Vision.

DISCLAIMER

Milestone AV Technologies, Inc., and its affiliated corporations and subsidiaries (collectively, "Milestone"), intend to make this manual accurate and complete. However, Milestone makes no claim that the information contained herein covers all details, conditions or variations, nor does it provide for every possible contingency in connection with the installation or use of this product. The information contained in this document is subject to change without notice or obligation of any kind. Milestone makes no representation of warranty, expressed or implied, regarding the information contained herein. Milestone assumes no responsibility for accuracy, completeness or sufficiency of the information contained in this document.

Chief® is a registered trademark of Milestone AV Technologies. All rights reserved.

! IMPORTANT SAFETY INSTRUCTIONS!

! WARNING: A WARNING alerts you to the possibility of serious injury or death if you do not follow the instructions.

! CAUTION: A CAUTION alerts you to the possibility of damage or destruction of equipment if you do not follow the corresponding instructions.

! WARNING: Failure to read, thoroughly understand, and follow all instructions can result in serious personal injury, damage to equipment, or voiding of factory warranty! It is the

installer's responsibility to make sure all components are properly assembled and installed using the instructions provided.

! WARNING: Failure to provide adequate structural strength for this component can result in serious personal injury or damage to equipment! It is the installer's responsibility to make sure the structure to which this component is attached can support five times the combined weight of all equipment. Reinforce the structure as required before installing the component.

! WARNING: Exceeding the weight capacity can result in serious personal injury or damage to equipment! It is the installer's responsibility to make sure the combined weight of all components attached to the MSP-DARKPE110, PD110, (PY220 each arm) does not exceed 20 lbs (9 kg).

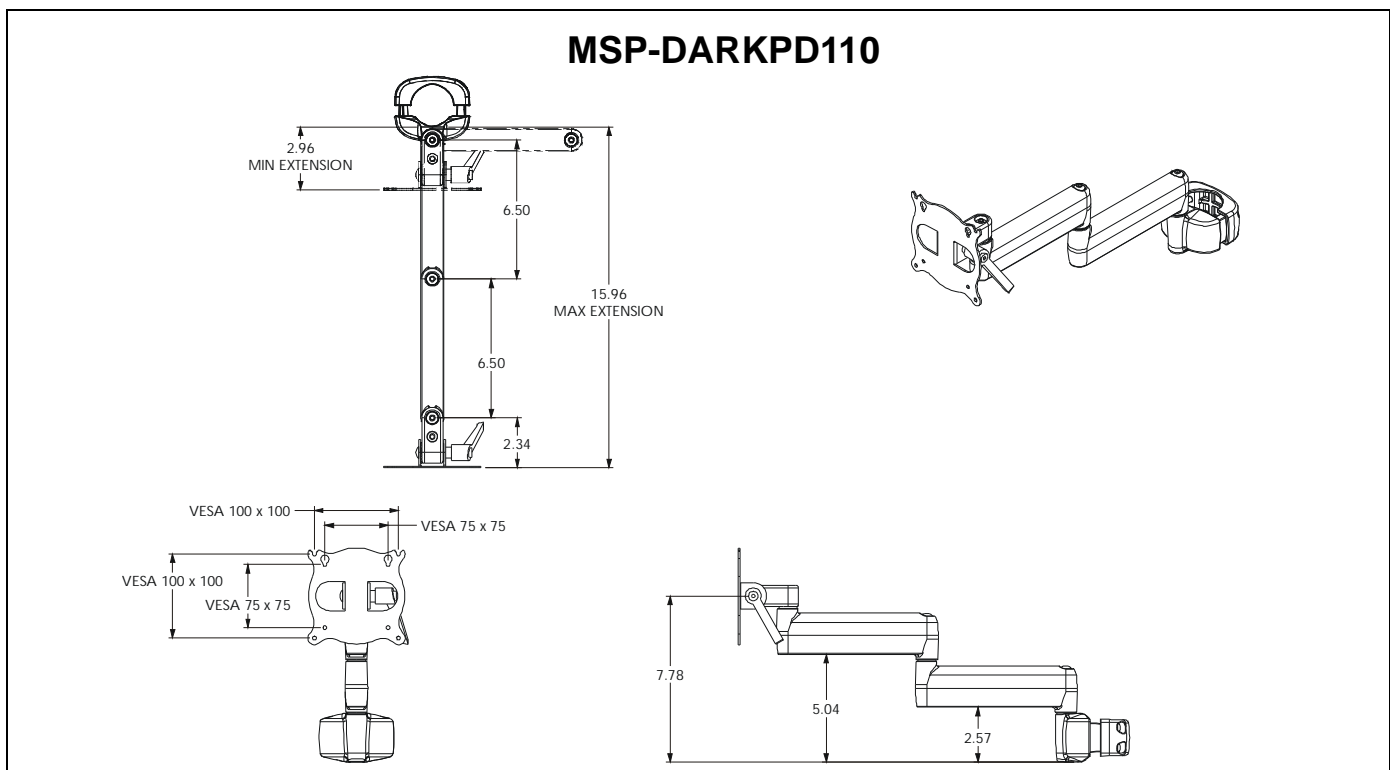
! WARNING: Use this mounting system only for its intended use as described in these instructions. Do not use attachments not recommended by the manufacturer.

! WARNING: Never operate this mounting system if it is damaged. Return the mounting system to a service center for examination and repair.

! WARNING: Do not use this product outdoors.

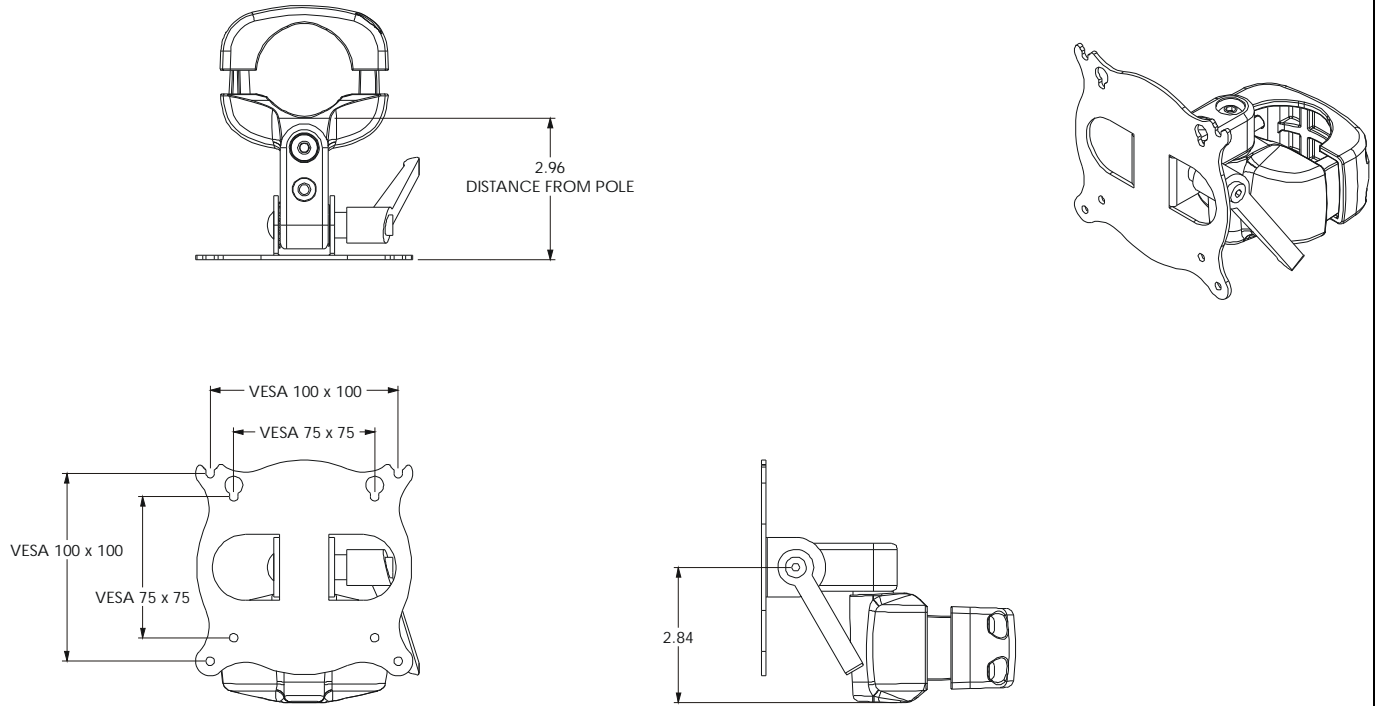
--SAVE THESE INSTRUCTIONS--

DIMENSIONS

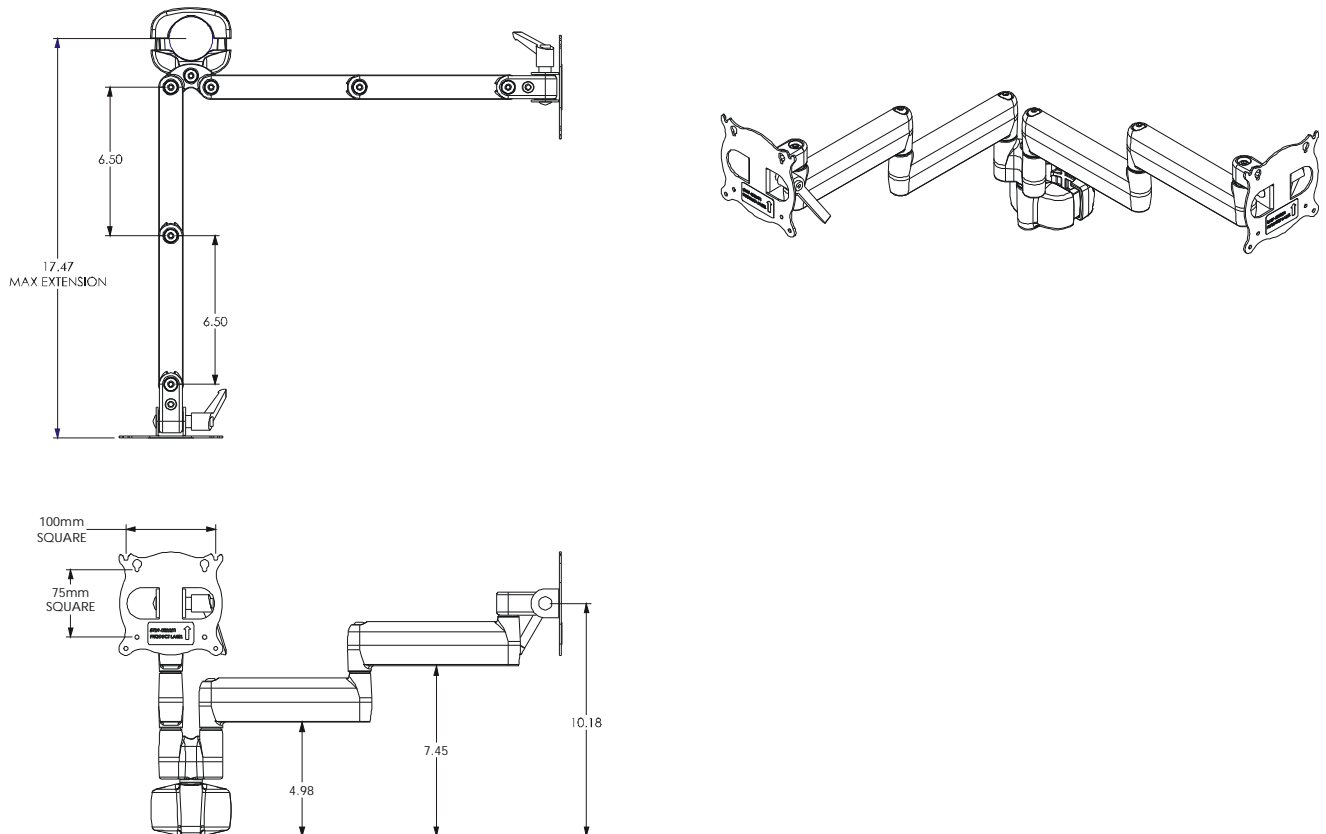


DIMENSIONS (CONTINUED)


MSP-DARKPE110





MSP-DARKPY220





LEGEND


	Tighten Fastener
	Apretar elemento de fijación
	Befestigungsteil festziehen
	Apertar fixador
	Serrare il fissaggio
	Bevestiging vastdraaien
Serrez les fixations	

	Loosen Fastener
	Aflojar elemento de fijación
	Befestigungsteil lösen
	Desapertar fixador
	Allentare il fissaggio
	Bevestiging losdraaien
Desserrez les fixations	

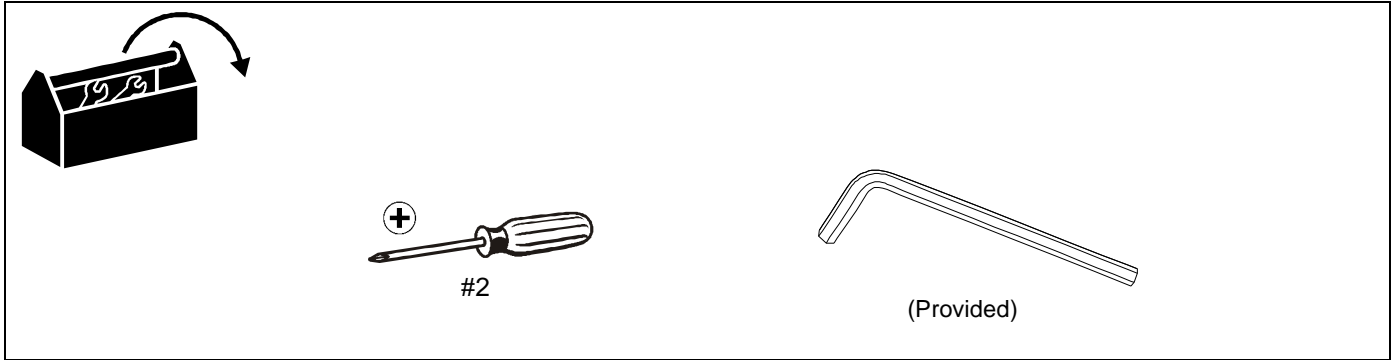
	Phillips Screwdriver
	Destornillador Phillips
	Kreuzschlitzschraubendreher
	Chave de fendas Phillips
	Cacciavite a stella
	Kruiskopschroevendraaier
Tournevis à pointe cruciforme	

	Hex-Head Wrench
	Llave de cabeza hexagonal
	Sechskantschlüssel
	Chave de cabeça sextavada
	Chiave esagonale
	Zeskantsleutel
Clé à tête hexagonale	

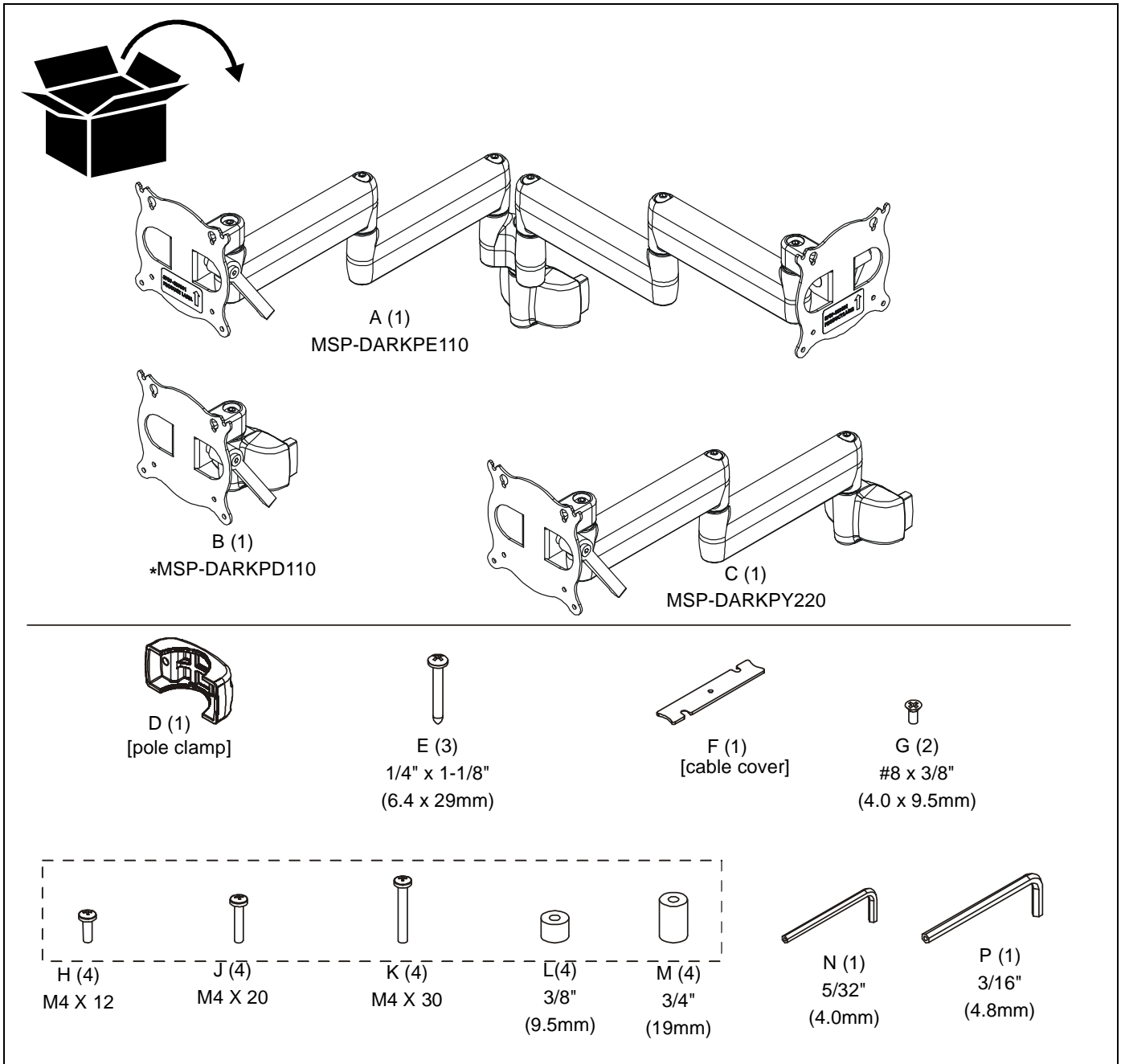
	By Hand
	A mano
	Von Hand
	Com a mão
	A mano
	Met de hand
À la main	

	Adjust
	Ajustar
	Einstellen
	Ajustar
	Regolare
	Afstellen
Ajuster	

TOOLS REQUIRED FOR INSTALLATION



PARTS



MOUNT INSTALLATION

IMPORTANT ! : IF either of the following situations apply:

- You have the MSP-DARKPE110 mount, or
- You are installing a display with RECESSED mounting holes

THEN proceed to "DISPLAY INSTALLATION" *before continuing* with this mount installation procedure.

1. Determine approximate location for mount keeping in mind display size, extension (if applicable), and pitch/roll requirements.

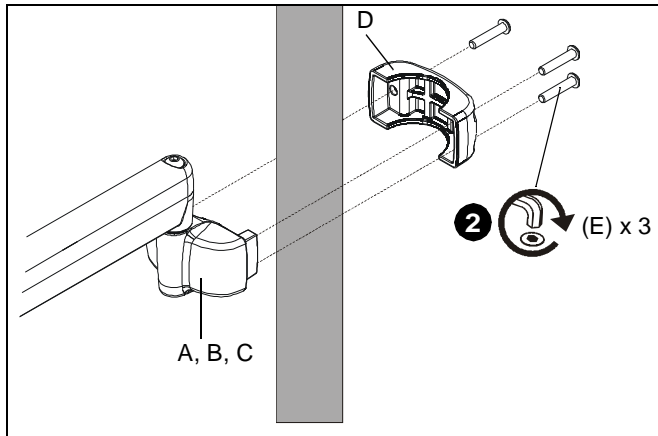


Figure 1

2. Place mount (A, B or C) against pole with clamp (D) on opposite side of pole (See Figure 1). Loosely assemble with screws (E) using hex key (N).

NOTE: Equally tighten screws (E) against mount (A, B or C) and the pole clamp (D). (See Figure 2)

3. Position mount at desired height and orientation. Tighten screws (E) securely.

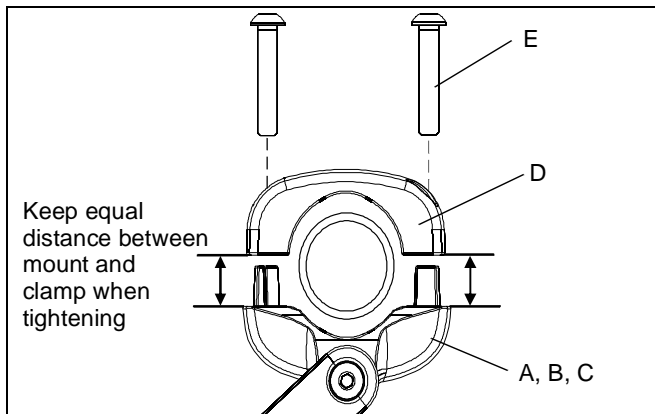


Figure 2

NOTE: MSP-DARKPD110 shown; MSP-DARKPE110 and MSP-DARKPY220 similar.

DISPLAY INSTALLATION



WARNING: Exceeding the weight capacity can result in serious personal injury or damage to equipment! It is the installer's responsibility to make sure the combined weight of all components attached to the MSP-DARKPE110/PD110/PY220 does not exceed 20 lbs (9 kg).

1. Carefully place display face down on a clean dry surface.
 2. Select spacers:
 - If mounting holes are *flush with* back of display, then no spacers are required; proceed to Step 3 below.
 - If mounting holes are *recessed into* back surface of display, then place spacer (L or M, as applicable) over each mounting hole on back of display (See Figure 4). Select shortest spacer which will provide adequate fill. All spacers must be same length.
- NOTE:** MSP-DARKPD110 shown; PE110 and PY220 similar.
- NOTE:** 100 x 100 mounting hole pattern shown; 75 x 75mm pattern similar.
3. Select screw *length*:
 - If no spacers are required, then use screws (H).
 - If using spacers (L), then use screws (J).
 - If using spacers (M), then use screws (K).
 4. Orient mount (A, B, or C) so that mounting holes are aligned with holes in display or holes in spacers (L, M), as applicable.



CAUTION: Using screws of improper size may damage your display! Proper screws will easily and completely thread into display mounting holes.

5. Install screws (H, J, or K; as applicable) through mount (A, B, or C) and spacers (L or M, if applicable) into display. (See Figure) and (See Figure 4)
6. Tighten all four screws. Do not overtighten!

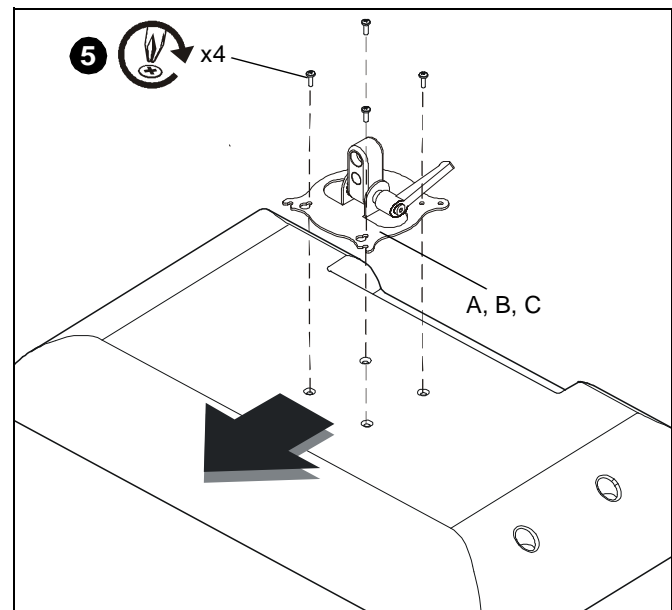


Figure 3

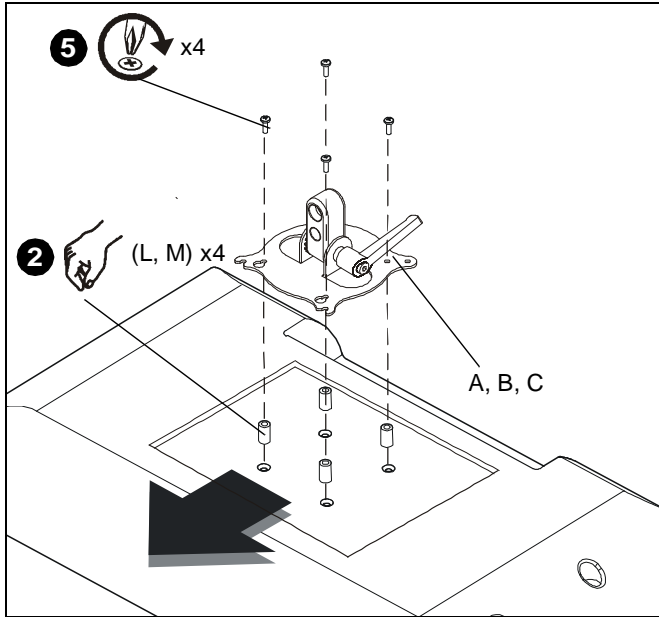


Figure 4

CABLE MANAGEMENT

NOTE: This section not applicable to MSP-DARKPE110.

1. Carefully insert cables into cavities located in lower portions of each mount arm. (See Figure 5)



CAUTION: Ensure that adequate cable slack exists for movement of display, and that cables will not be pinched by installation of covers (F) or screws (G).

2. Install each cover (F) with two screws (G) (See Figure 5).

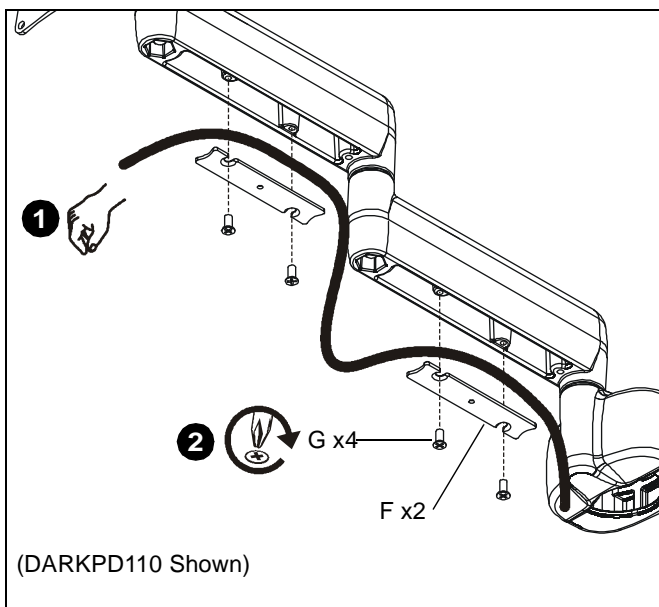


Figure 5

ADJUSTMENTS

Pitch Adjustment

1. Pull entire handle out away from mount to allow handle position to be adjusted to be prior to pitch adjustment. (See Figure 6)

NOTE: In order to maximize leverage, position handle in lower position.

2. Adjust handle to desired position. (See Figure 6)
3. Push entire handle back towards mount prior to pitch adjustment. (See Figure 6)

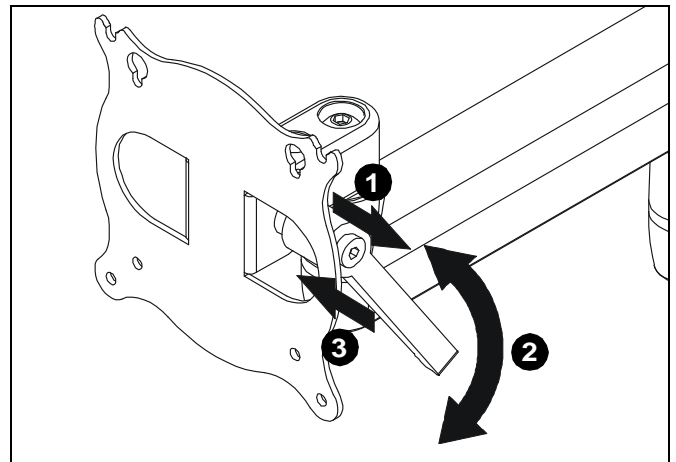


Figure 6

IMPORTANT ! : Make sure the weight of the display is adequately supported while adjusting the pitch in Steps 4-6!

4. Lift handle up until pitch can be adjusted easily. (See Figure 7)
5. Adjust pitch to desired position. (See Figure 7)
6. Push handle down until faceplate is locked at desired pitch position. (See Figure 7)

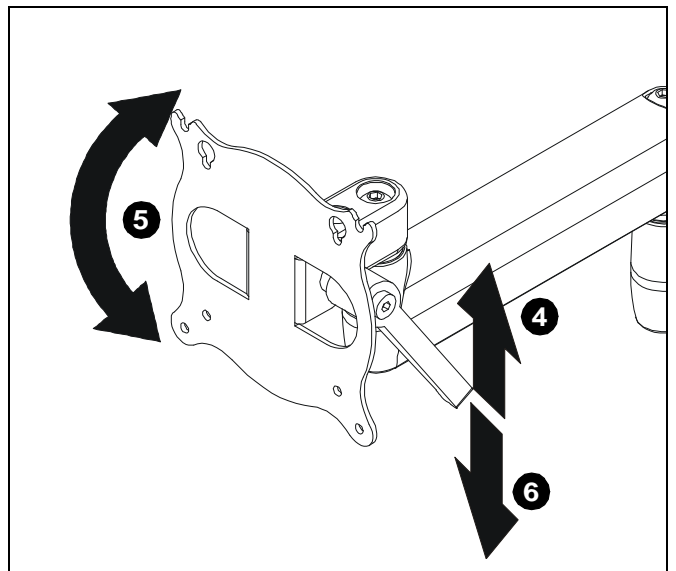


Figure 7

Pivot Tension



WARNING: Excessive loosening or tightening of adjustment mechanism can result in serious personal injury or damage to equipment!

1. To adjust pivot tension, slightly loosen or tighten adjustment screw(s) using hex key (P) (See Figure 8). Adjust screw(s) ONLY as required to achieve desired tension.

NOTE: MSP-DARKPD110 shown; PE110 and PY220 similar.

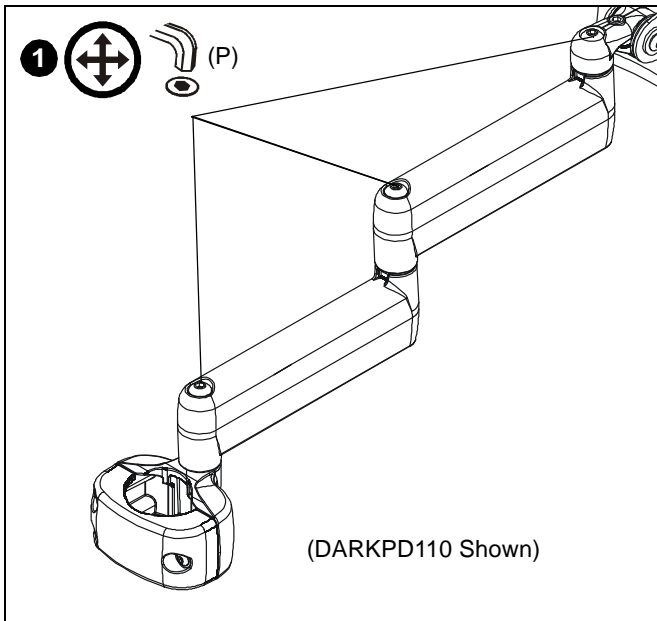


Figure 8



Our Mounts. **Your Vision.**

Chief Manufacturing, a products division
of Milestone AV Technologies

8800-002320 Rev00

©2013 Milestone AV Technologies, a
Duchossois Group Company

www.chiefmfg.com

05/13

USA/International	A 6436 City West Parkway, Eden Prairie, MN 55344
	P 800.582.6480 / 952.225.6000
	F 877.894.6918 / 952.894.6918
Europe	A Franklinstraat 14, 6003 DK Weert, Netherlands
	P +31 (0) 495 580 852
	F +31 (0) 495 580 845
Asia Pacific	A Office No. 1 on 12/F, Shatin Galleria 18-24 Shan Mei Street Fotan, Shatin, Hong Kong
	P 852 2145 4099
	F 852 2145 4477