

---

# INSTRUCTION MANUAL

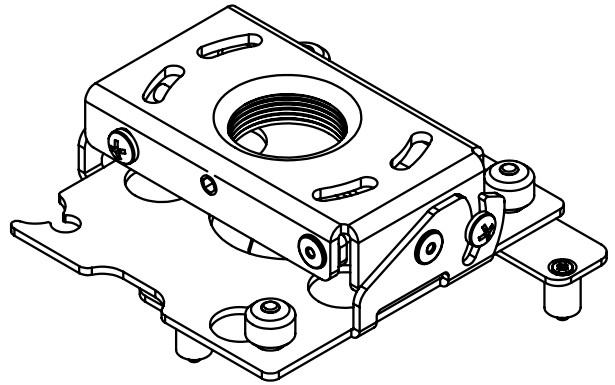
---

## PART #MSP-DCC3000 Universal Ceiling Projector Mount Kit

The Universal Ceiling Projector Mount provides a unique, simplified method of ceiling mounting your inverted projector. This low profile design offers three easy mounting methods (1" NPT column, flush or threaded rod); roll, pitch and yaw adjustment; and a custom designed bracket that allows quick projector disconnect without loss of registration.

The Universal Ceiling Projector Mount provides access for quick lamp changes and easy filter cleaning without requiring any disassembly. The Universal Ceiling Projector Mount is constructed of heavy gauge steel and designed to ensure proper projector ventilation.

Fast and precise image registration is achieved through the easy roll, pitch and yaw adjustments built into the Universal Ceiling Projector Mount.



### BEFORE YOU BEGIN

---

- **CAUTION: To prevent damage to the Universal Ceiling Mount, which could affect or void the Factory warranty, thoroughly study all instructions and illustrations before you begin to install the Universal Ceiling Mount. Pay particular attention to the "Important Precautions" on Page 1.**

If a defect is discovered after Dell's initial 21 day Customer Satisfaction period, Chief Mfg. will, at its option, repair or replace the product at no charge provided it is returned during the warranty period. Please note contact information for Chief Mfg. listed below:



**CHIEF MANUFACTURING INC.**

**1-800-582-6480** 952-894-6280 FAX 952-894-6918 EUROPE 49 7031/76 91 41  
8401 EAGLE CREEK PARKWAY, STE. 700 chiefeurope@chiefmfg.com  
SAVAGE, MINNESOTA 55378 USA

8832-000030 Rev. A01  
©2004 Chief Manufacturing  
**www.chiefmfg.com**  
Printed in USA 02/05



## IMPORTANT WARNINGS AND CAUTIONS!

**WARNING:** A **WARNING** alerts you to the possibility of serious injury or death if you do not follow the instructions.

**CAUTION:** A **CAUTION** alerts you to the possibility of damage or destruction of equipment if you do not follow the corresponding instructions.

- **WARNING: Improper installation can result in serious personal injury! Make sure that the ceiling structural members can support a redundant weight factor *five times the total weight of the equipment*. If the ceiling can not support this weight, reinforce the ceiling before installing the Universal Ceiling Projector Mount.**
- **CAUTION:** Inspect the unit for shipping damage. See “PARTS & DIMENSIONS” on page 2

## TOOLS REQUIRED FOR INSTALLATION

- Socket Set
- Wrenches
- Allen Wrench (provided)
- Phillips screwdrivers, No. 1 and No. 2

**NOTE:** Other tools may be required depending on the method of installation.

## CONTENTS

PARTS & DIMENSIONS .....	2
INSPECT THE UNIT BEFORE INSTALLING .....	3
PREPARE THE CEILING .....	3
General Guidelines .....	3
UNIVERSAL CEILING PROJECTOR MOUNT INSTALLATION PROCEDURES .....	4
1” NPT Column .....	4
Standard Fasteners Secured to a Wood Framing Member .....	5
Threaded Rod .....	5
PROJECTOR INTERFACE PLATE ATTACHMENT PROCEDURES .....	6
CABLE MANAGEMENT PROCEDURES .....	7
SECURITY INSTALLATION (Optional) .....	7
PROJECTOR ALIGNMENT INSTRUCTIONS .....	8
Pitch/Roll/Yaw .....	8

## PARTS & DIMENSIONS

- 10 Universal Projector Mount
- 20 Thumb Nut
- 30 M3 X 16mm Flat Head Screw
- 40 Nylon Spacer
- 50 Projector Interface Plate

- 60 5/32" Security Hex Key
- 70 3/32" Security Hex Key
- 80 M3 X 16mm Security Flat Head Screw
- 90 5/16-18 X .50" Security Set Screw
- 100 #10-24 X .25" Security Flat Head Screw

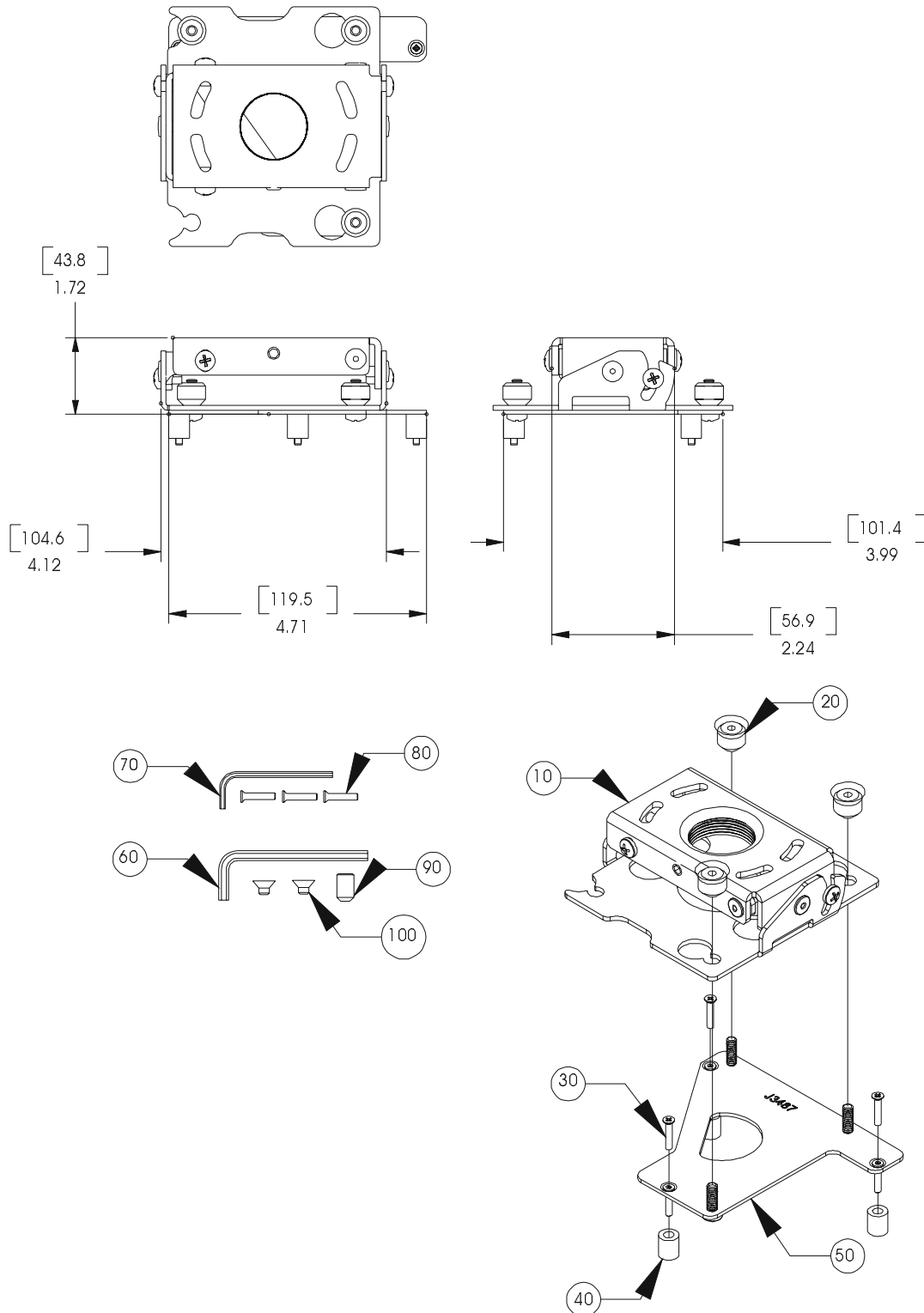


Figure 1. Parts and Dimensions

## INSPECT THE UNIT BEFORE INSTALLING

1. Carefully inspect the Universal Ceiling Projector Mount for shipping damage. If any damage is apparent, call your carrier claims agent and do not continue with the installation until the carrier has reviewed the damage.

**NOTE:** Read all instructions before starting installation.

2. Lay out components to ensure you have all the required parts before proceeding (see “PARTS & DIMENSIONS” on page 2).

## PREPARE THE CEILING

Because of the wide variety of possible mounting situations, Chief Manufacturing can only provide general guidelines for installation. Study the following information carefully, and adapt it as necessary to fit your specific installation.

**WARNING: Be especially aware of the weight of the equipment, and the potential for personal injury or of damage to the equipment if it is not adequately mounted.**

The “General Guidelines” below and the information on the following pages cover the most common mounting situations:

- Suspended from a 1” NPT column secured to a structural cross brace in the ceiling.
- Standard fasteners secured to a wood framing member.
- Suspended from threaded rods that are secured to the structural cross brace

### General Guidelines

- Carefully determine the position of the Universal Ceiling Projector Mount, and its distance from the screen. This will require knowing the lens to screen distance (see projector specifications for set-up).

**WARNING: Improper installation can result in serious personal injury! To avoid such injury, make sure that the ceiling structural members can support a redundant weight factor *five times* the total weight of the equipment you intend to support overhead. If they cannot, the ceiling must be reinforced before you install the Universal Ceiling Projector Mount.**











