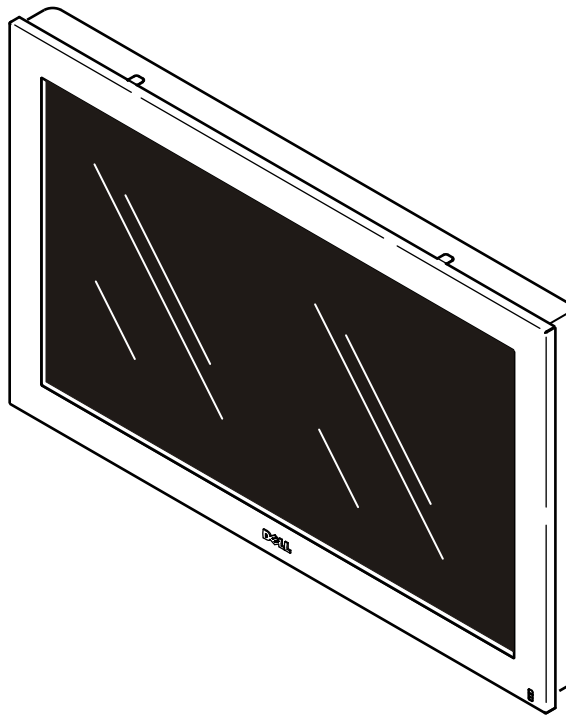

INSTALLATION INSTRUCTIONS

Display Cover Accessory

Model: MSP-DCCB Series

MSP-DCCB Series display covers are for use with DELL 32", 37", 42" and 50" displays.



BEFORE YOU BEGIN

⚠ CAUTION!

To prevent damage to the Kit, which could affect or void the Factory warranty, and to the equipment that will be attached to it, thoroughly study all instructions and illustrations before you begin the installation.

- If you have any questions about this installation, contact Chief Manufacturing at 1-800-582-6480.

TOOLS REQUIRED FOR INSTALLATION

- Pliers

INSTALLATION

To install the screen cover:

1. Align four inside corners of screen cover with four outside corners of display front.
2. Slightly bend two lower mounting tabs upward. (see Figure 1)

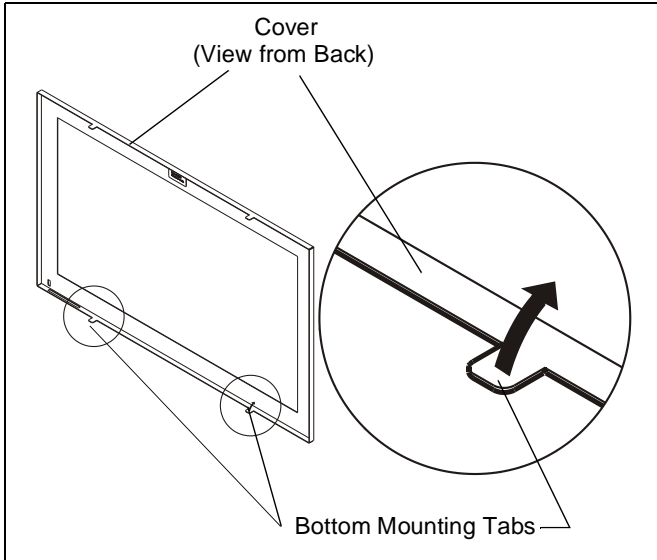


Figure 1: Bend bottom Tabs UP

3. Position cover and align with front of display. (see Figure 2)

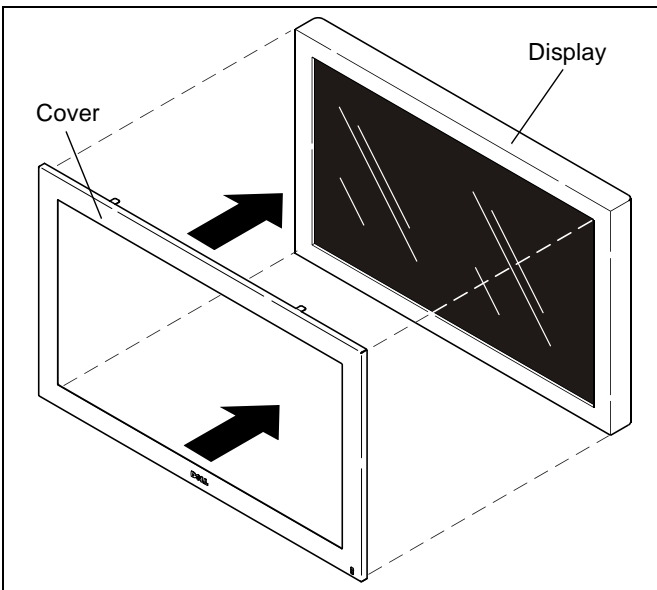


Figure 2: Position Cover

4. Tilt top of cover away from display and slide cover bottom under display so that lower mounting tabs engage ridge on display bottom. (see Figure 3)

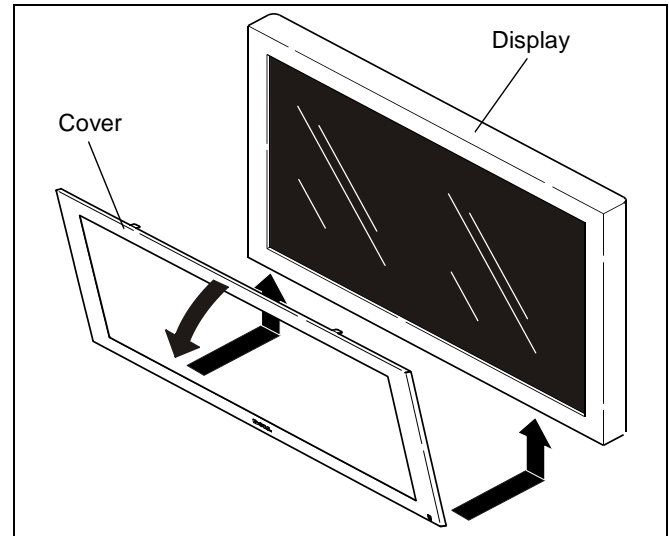


Figure 3: Align Cover BOTTOM

5. Move top of cover towards display until display front is seated in cover and upper mounting tabs are positioned over ridge on display top. (see Figure 4)

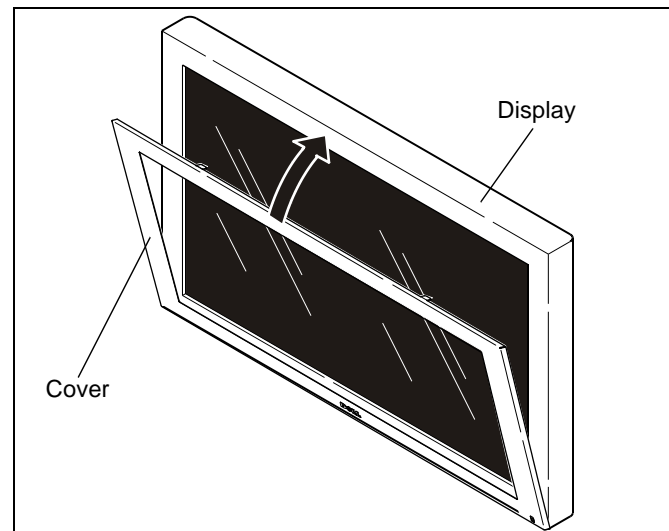


Figure 4: Align Cover TOP

6. Bend upper and lower cover mounting tabs until cover is securely attached to display front. (see Figure 5)

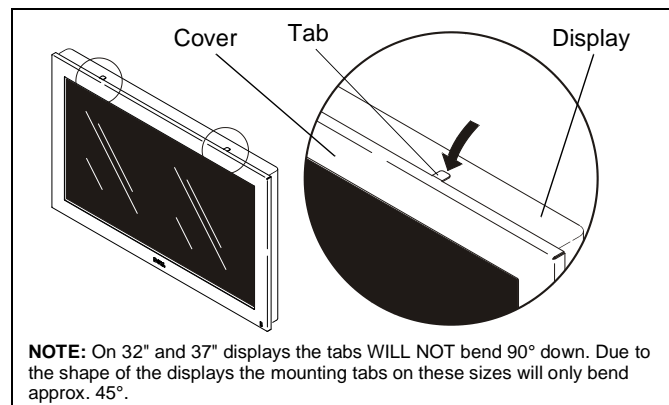


Figure 5: Bend all Tabs to Secure Cover to Display