

# INSTALLATION INSTRUCTIONS

## MSP-DCCFSB4101S

### INTERFACE BRACKET

VESA 200mm x 100mm / 100mm x 100mm

Prior to assembly, unpack carton completely and verify contents.

If you are missing any of the following components, please contact Customer Service at 1-800/582-6480

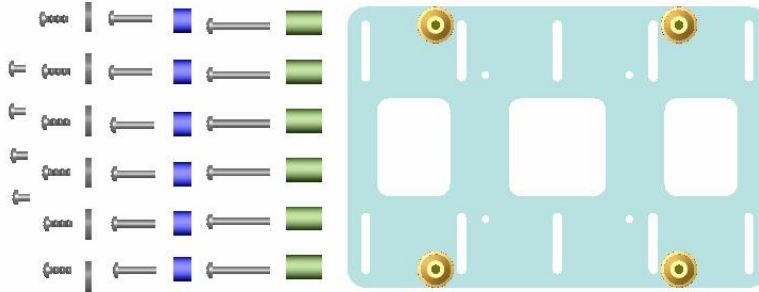


Figure 1

(1) Interface Bracket

(6) 3/8" Nylon Spacers

(6) 3/4" Nylon Spacers

(6) 1/8" Nylon Spacers

(6) M4 X 12mm Phillips Pan Head Screws

(6) M4 X 20mm Phillips Pan Head Screws

(6) M4 X 30mm Phillips Pan Head Screws

(6) M4 X 6mm Phillips Pan Head Screws

BEFORE PROCEEDING, READ INSTALLATION INSTRUCTIONS COMPLETELY

## CAUTION!

**PLASMA DISPLAYS ARE EXTREMELY FRAGILE.**

**If Monitor Uses a Screw Size Other Than M4 x 12mm, DO NOT USE M4 Screws provided. Monitor Damage Could Occur.**

## WARNING!

**ALL COMPONENTS MUST BE SECURELY FASTENED TO A STRUCTURAL MEMBER CAPABLE OF SUPPORTING 4 TIMES THE COMBINED WEIGHT OF ALL COMPONENTS PLUS THE EQUIPMENT BEING MOUNTED. IF IT CANNOT SUPPORT THIS WEIGHT, THE STRUCTURE MUST BE REINFORCED.**

1. If the flat panel display has a table stand attached, remove existing stand.

### Flush Mount:

2. Secure the adapter plate to the flat panel display using 1/8" Nylon spacers and M4 x 12mm screws (see Figure 2).

### Recessed Mount:

3. Place four Nylon spacers (3/8" or 3/4" as necessary) over four mounting holes in flat panel display (see Figure 3).



CHIEF MANUFACTURING INC.  
1-800-582-6480 952-894-6280 FAX 952-894-6918  
8401 EAGLE CREEK PKWY, STE. 700  
SAVAGE, MINNESOTA 55378 USA

8832-000184  
2004 Chief Manufacturing  
[www.chiefmfg.com](http://www.chiefmfg.com)  
09/06

- Secure the interface bracket to the display using four M4 x 20mm screws with 3/8" Nylon spacers or four M4 x 30mm screws with 3/4" Nylon spacers.

**Conversion to VESA 75mm Mounting:**

- Remove Phillips head screws and mounting buttons from the interface bracket.
- Using M4 x 6mm screws, attach the interface bracket to any VESA 75mm x 75mm mounting device.

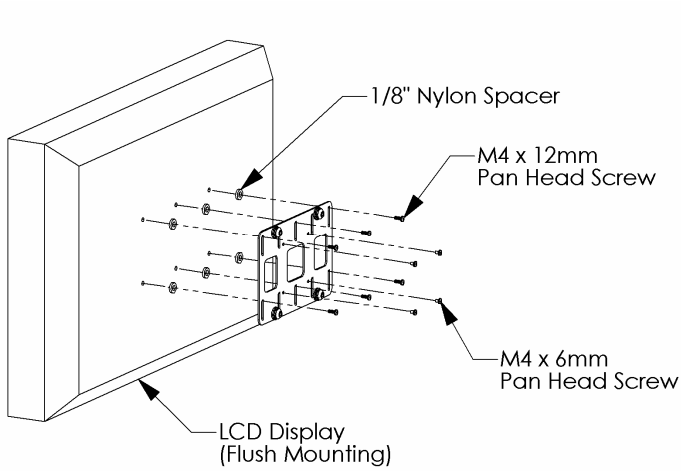


Figure 2

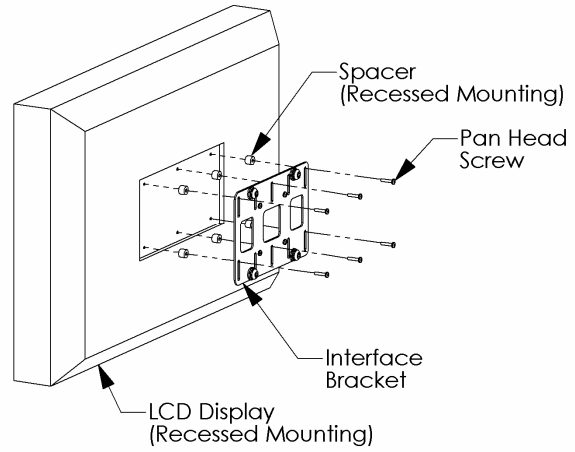


Figure 3