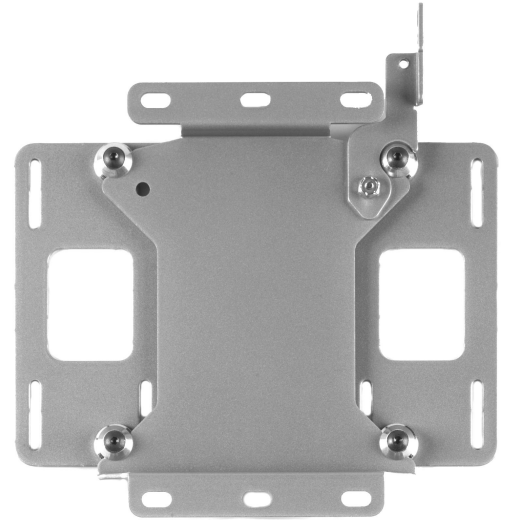

INSTALLATION INSTRUCTIONS

Small Flat Panel Display Static Wall Mount (FSM) MSP-DCCFSM4101

The FSM is a sleek design that holds Small Flat Panel Displays close to the wall for an exceptionally slim appearance. Accommodating most VESA® 100mmX100mm/200mmX100mm compliant displays, the mount provides easy installation, stable mounting and quick release.



BEFORE YOU BEGIN

- **Caution:** To prevent damage to the FSM, which could affect or void the Factory warranty, and to the equipment that will be attached to it, thoroughly study all instructions and illustrations before you begin the installation. Pay particular attention to the “Important Warnings and Precautions” on Page 1.
 - The maximum weight to be installed on the FSM wall mount in drywall is 30 pounds (13.61). The maximum weight to be installed on the FSM wall mount when stud mounted is 45 pounds (20.4 Kg).
 - The FSM wall mount is designed to be installed using wall studs or supporting framework. The wall to which the FSM wall mount is anchored must be capable of supporting **five times** the total weight of the mount and all attached equipment.
 - If you have any questions about this installation, contact Chief Manufacturing at 1-800-582-6480.
- * If a defect is discovered after Dell's initial 21 day Customer Satisfaction period, Chief Mfg. will, at its option, repair or replace the product at no charge provided it is returned during the warranty period. Please note contact information for Chief Mfg. listed below:



IMPORTANT WARNINGS AND PRECAUTIONS!

- WARNING:** A **WARNING** alerts you to the possibility of serious injury or death if you do not follow the instructions.
- CAUTION:** A **CAUTION** alerts you to the possibility of damage or destruction of equipment if you do not follow the corresponding instructions.
- **WARNING:Improper installation can result in serious personal injury! Make sure that the structural members can support a redundant weight factor *five times* the total weight of the equipment: if not, reinforce the structure before installing the FSM.**
 - **WARNING:Be aware also of the potential for personal injury or damage to the unit if it is not adequately mounted.**
 - **WARNING:The installer is responsible for verifying that the wall to which the FSM is anchored will safely support the combined load of all attached components or other equipment.**
 - **WARNING:The maximum weight to be installed on the FSM wall mount in drywall is 30 pounds (13.61). The maximum weight to be installed on the FSM wall mount when stud mounted is 45 pounds (20.4 Kg).**
 - **WARNING:Watch for pinch points. Do not put your fingers between movable parts.**
 - **WARNING:Make sure the mount and brackets are correctly oriented.**
 - **CAUTION:** Check the unit for shipping damage before you begin the installation.

TOOLS REQUIRED FOR INSTALLATION

- Electric drill and bit set
- Phillips Screwdriver
- Level

NOTE: Other tools may be required depending on the mounting surface and method of installation.

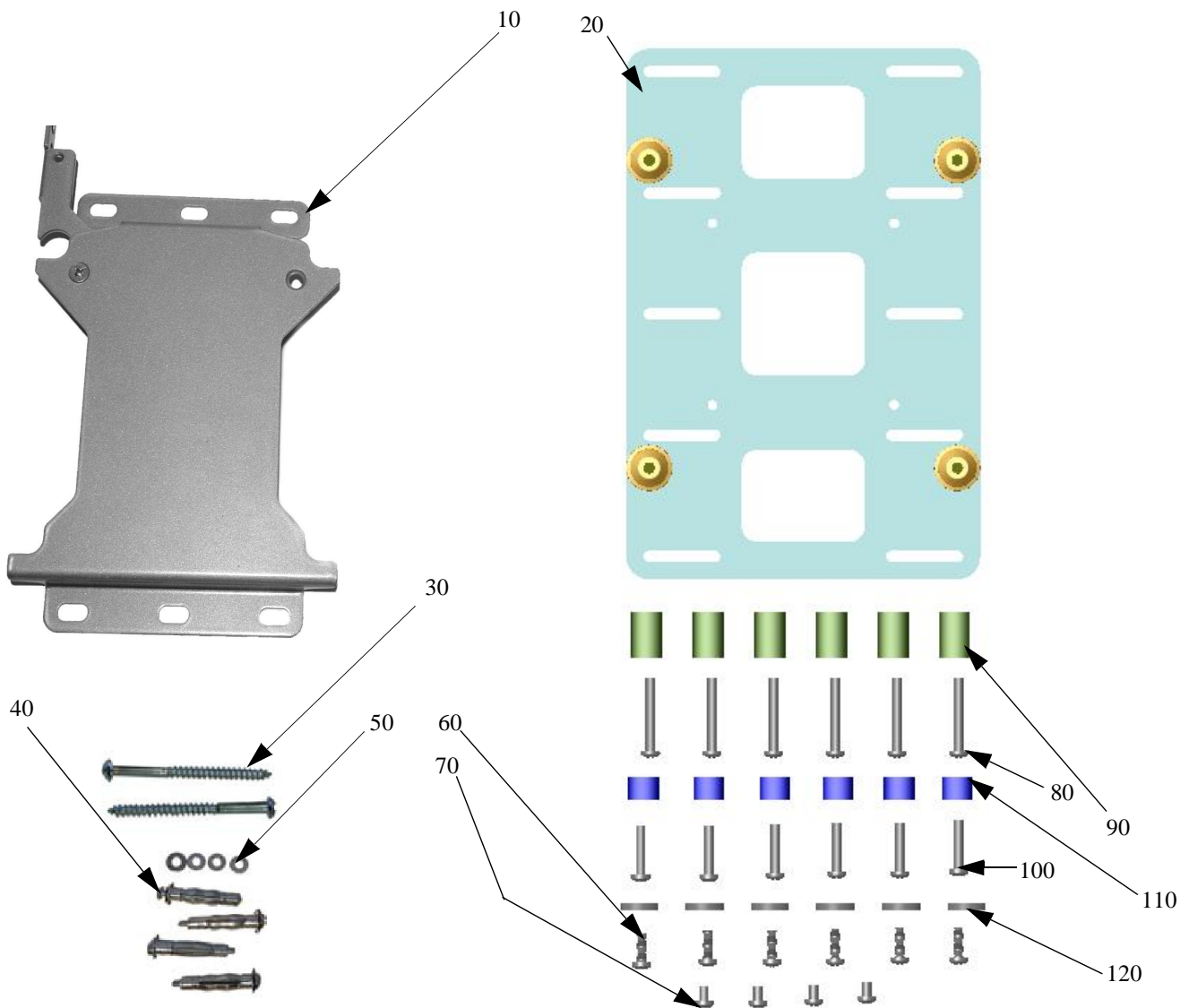
CONTENTS

PARTS	2
INSPECT THE UNIT BEFORE INSTALLING	3
FLUSH BRACKET INSTALLATION	3
RECESSED BRACKET INSTALLATION	3
Optional VESA Mounting	4
MOUNTING DISPLAY WITH INTERFACE BRACKET TO WALL BRACKET	4
FSM WALL BRACKET INSTALLATION	4
Optional Latching Flag Placement	4
Drywall Installation Procedures.....	4
Wood Stud Installation Procedures.....	5

PARTS

Table 1:

Item	Description	Qty.	Item	Description	Qty.
10	FSM Wall Bracket	1	70	Phillips Head Screw, M4 X 6mm	6
20	Interface Bracket	1	80	Phillips Head Screw, M4 X 30mm	6
30	Wood Screw	2	90	Nylon Spacer, 3/4"	6
40	Drywall Anchor	4	100	Phillips Head Screw, M4 X 20mm	6
50	Flat Washer, .25ID X .56 OD	4	110	Nylon Spacer, 3/8"	6
60	Phillips Head Screw, M4 X 12mm	6	120	Nylon Spacer, 1/8"	6



INSPECT THE UNIT BEFORE INSTALLING

WARNING: Watch for pinch points. Do not put your fingers between movable parts.

- Carefully inspect the FSM for shipping damage. If any damage is apparent, call your carrier claims agent and do not continue with the installation until the carrier has reviewed the damage.

NOTE: Read all instructions before starting installation.

- Lay out components to ensure you have all the required parts before proceeding (see “PARTS” on page 2).

FLUSH BRACKET INSTALLATION

- If your small flat panel display has a stand attached, remove the existing stand.
- Using M4 X 12mm Phillips head screws (60), secure the adapter plate (20) to the flat panel display (see Figure 1).

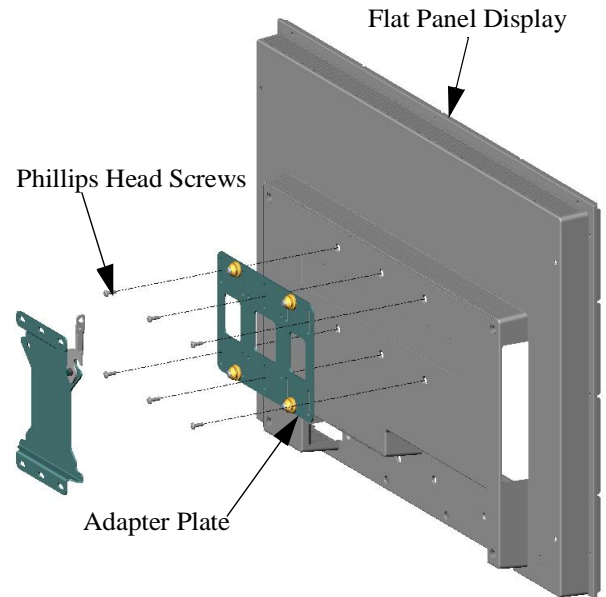


Figure 1. Secure Adapter Plate

RECESSED BRACKET MOUNTING

- If your small flat panel display has a stand attached, remove the existing stand.
- For recessed mounting areas, place up to six Nylon spacers (90, 110 or 120), as appropriate, over the mounting holes in flat panel display (see Figure 2, Table 2 and table 3).
- Using Phillips head screws (60, 80 or 100), as appropriate, and spacers (90, 110 or 120), as appropriate, secure the adapter plate (20) to the flat panel display.

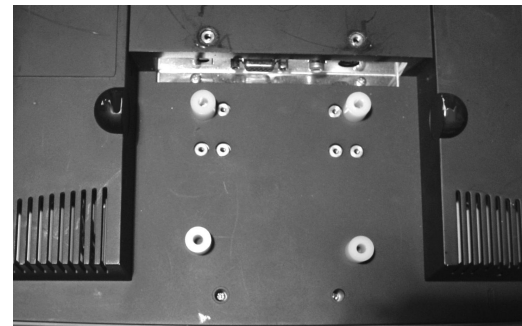


Figure 2. Recessed Applications Only

Table 2: 200mm/100mm Compliant Displays

OPTION	SCREW	QTY	SPACER	QTY
1	100	6	110	6
2	80	6	90	6
3	60	6	120	6

Table 3: 75mm/100mm Compliant Displays

OPTION	SCREWS	QTY	SPACERS	QTY
1	100	4	110	4
2	80	4	90	4
3	60	4	120	4

MOUNTING DISPLAY WITH INTERFACE BRACKET TO WALL BRACKET

1. Make sure the latching flag on the mounting bracket (10) is in the unlocked position (see Figure 3).
2. Place your small flat panel display; with interface bracket attached, onto the wall bracket, making sure it is securely seated.
3. Lower the latching flag on the wall bracket, locking the small flat panel display in place (see Figure 4).

FSM WALL BRACKET INSTALLATION

WARNING: It is the responsibility of the installer to verify that the surface to which the FSM is anchored will safety support the combined load of all attached components and equipment.

Optional Latching Flag Placement

1. Remove Phillips head screw, Nylock nut and latching flag (see Figure 6).
2. Reposition latching flag and secure using Phillips head screw and Nylock nut (see Figure 6).

Drywall Installation Procedures

1. Using the wall bracket (10) as a template at the desired mounting location, mark the location of the four outer mounting holes (see Figure 7).
2. Using 3/8 inch drill, drill four pilot holes marked in Step 1.
3. Install a drywall anchor (40) in one of the pilot holes and tighten anchor until it is fully seated (see Figure 8).
4. Remove and retain bolt from anchor and repeat Step 3 and Step 4 for three remaining anchors.
5. Install .25 ID X .56 OD flat washer (50) on each of four bolts removed from anchors.
6. Using four bolts, with washers installed, secure wall bracket to wall.

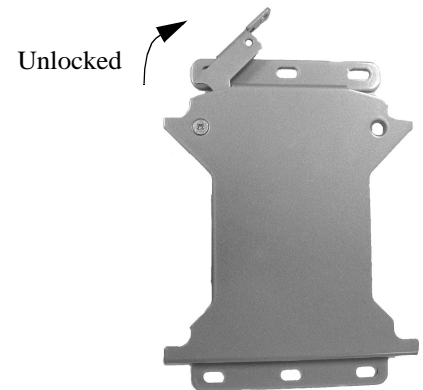


Figure 3. Unlocked Flag



Figure 5. Locked Flag

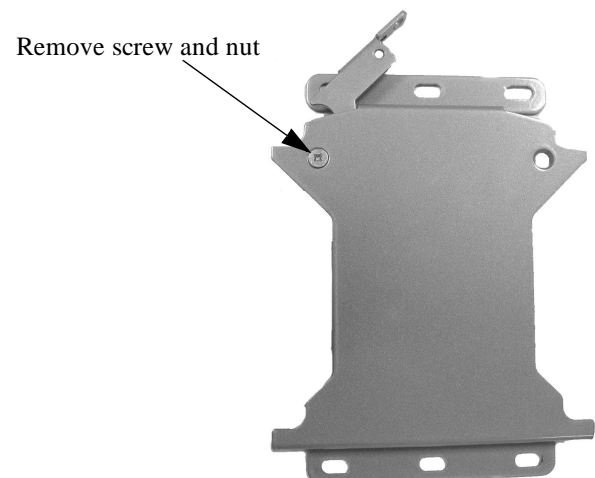


Figure 5. Remove Latching Flag

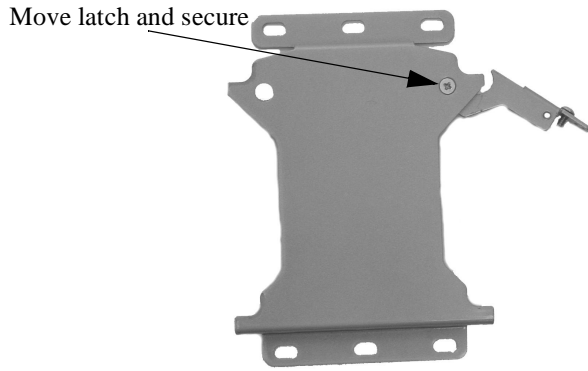


Figure 6. Secure Latching Flag

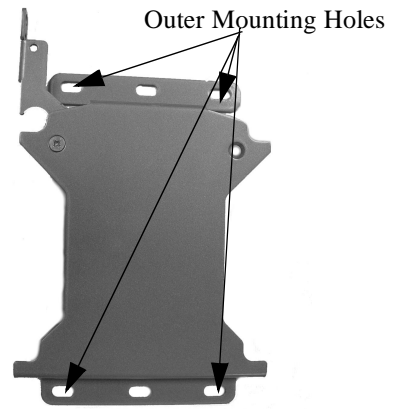


Figure 7. Outer Mounting Holes

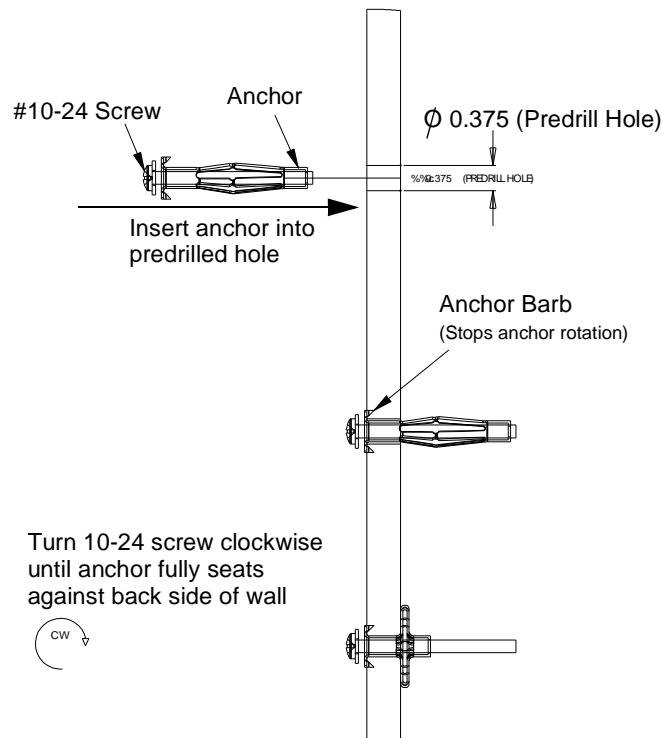


Figure 8. Drywall Installation

Wood Stud Installation Procedures

1. Locate stud and, using wall bracket (10) as a template at the desired mounting location, mark the location of the two center mounting holes (see Figure 9).
2. Install .25 ID X .56 OD flat washer (50) on each of two wood screws (30).
3. Using the wood screws (30) with flat washer (50) installed, secure the wall bracket to the wall.

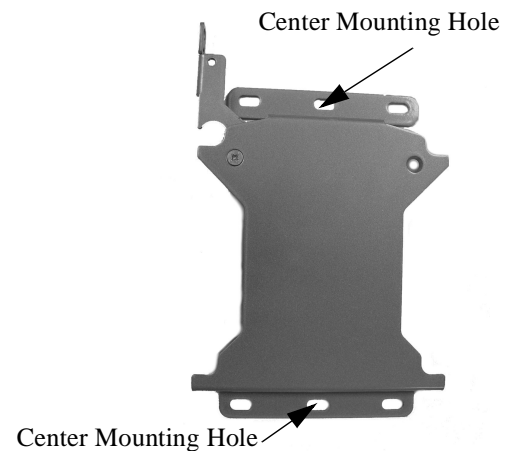


Figure 9. Center Mounting Holes