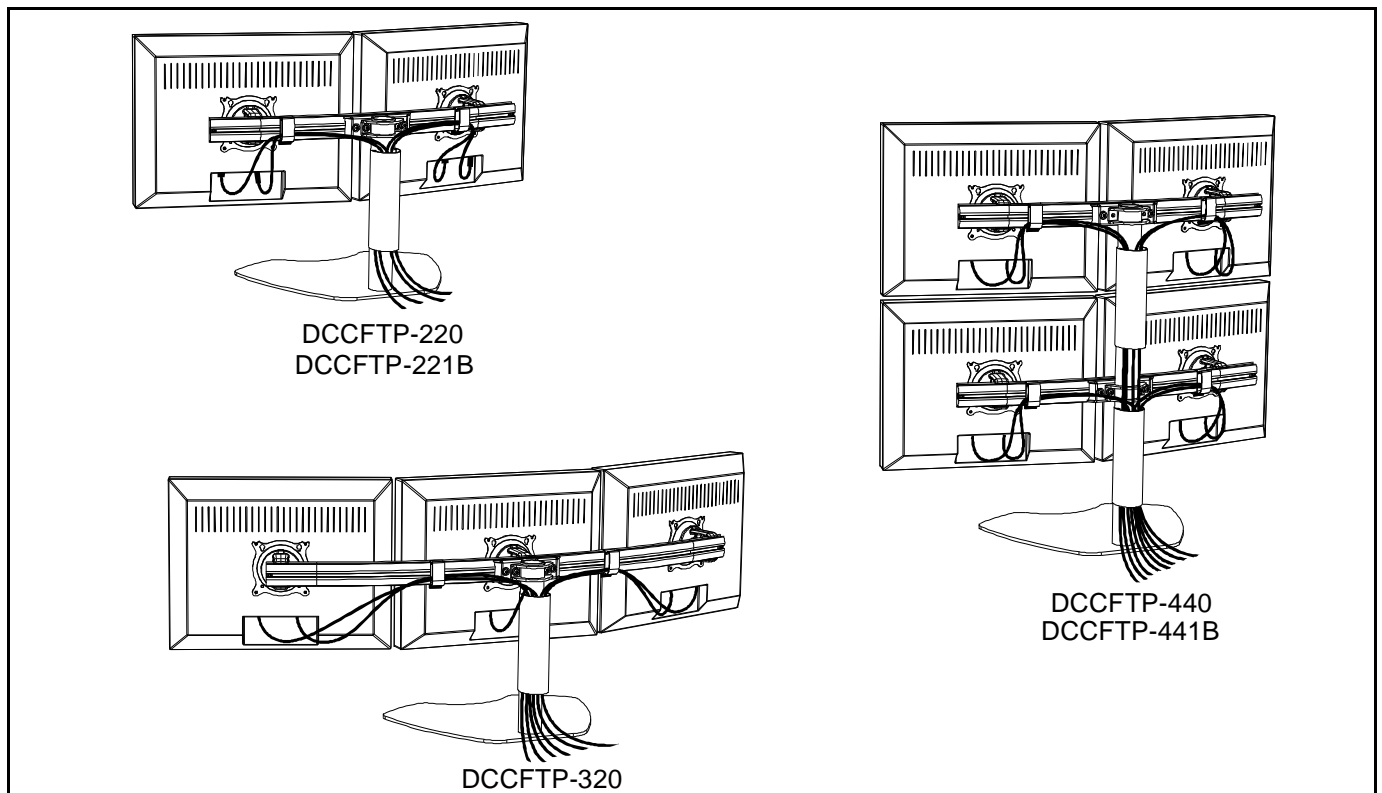


INSTALLATION INSTRUCTIONS

Horizontal And Vertical Table Stands and Accessories

Model: MSP-DCCFTP-Series

The DCCFTP-Series is a free standing, pole mount solution for multiple displays.



BEFORE YOU BEGIN

▲ CAUTION!

To prevent damage to the Kit, which could affect or void the Factory warranty, and to the equipment that will be attached to it, thoroughly study all instructions and illustrations before you begin the installation.

▲ CAUTION!

Exceeding the weight capacity can result in serious personal injury or damage to equipment! It is the installer's responsibility to make sure the combined weight of all components does not exceed;

- 40 lbs (18.5kg) DCCFTP220/DCCFTP320
- 50 lbs (22.68 kg) DCCFTP221
- 80 lbs (36kg) DCCFTP440
- 100 lbs (45.36 kg) DCCFTP441

If you have any questions about this installation, contact Chief Manufacturing.



Our Mounts. Your Vision.

Chief Manufacturing, a products division
of Milestone AV Technologies

8401 Eagle Creek Parkway, Savage, MN 55378

P: 800.582.6480 / 952.894.6280 • F: 877.894.6918 / 952.894.6918

8832-000163 RevE
©2009 Milestone AV Technologies,
a Duchossois Group Company

www.chiefmfg.com

06/09

TOOLS REQUIRED FOR INSTALLATION

- Phillips Head Screw Driver
- 3/4" Wrench
- 5/32" Hex Key (provided)
- 7/32" Hex Key (provided)

PARTS

Carefully inspect components for shipping damage . If damage is apparent, call your carrier claims agent and do not continue with installation until the carrier has reviewed the damage.(see Figure 1)

Table 1: Parts

ITEM	DESCRIPTION	QUANTITY By MODEL				
		DCCFTP-220	DCCFTP-320	DCCFTP-440	DCCFTP-221	DCCFTP-441
10	ARRAY ASSEMBLY, Dual	1		2		
20	ARRAY ASSEMBLY, Triple		1			
30	BASE, Freestand	1	1	1	1	1
40	POLE, Freestand, 14"	1	1		1	
50	POLE, Freestand, 28"			1		
60	SHEATH, Cable Management, 8"	1	1	2	1	2
70	SCREW, Freestand Pole Mounting, 3/8-16 x 1" (FHCS)	1	1	1	1	1
80	KEY, Hex, 5/32"	1	1	1	1	1
90	N/A					
100	KEY, Hex, 7/32"	1	1	1	1	1
110**	SCREW, Phillips Pan Head, M4 x 10mm	8	12	16	8	16
120**	SCREW, Phillips Pan Head, M4 x 20mm	8	12	16	8	16
130**	SPACER, Nylon, 3/8" (used with item 120)	8	12	16	8	16
140	PAD, Rubber Bumper	10	10	10	10	10
150	CLAMP, Back, Array mounting	1	1	2	1	2
160	WASHER, Flat, 1/4"	2	2	4	2	4
170	SCREW, Button Head Cap, 1/4-20 x 1/2"	2	2	4	2	4
180	ASSEMBLY, Long Dual Array				1	2
190	POLE, 36"					1
200	PIPE CAP, 1.75 OD	1	1	1	1	1

** Quantity varies depending upon the number of displays being installed.

2. Assemble pole clamp back (150) to pole mount front using two FW (160) and two BHCS (170) using a 5/32" hex key. (see Figure 4)
3. Secure pole mount back (150) to pole mount front and pole by tightening two BHCS (170) using a 5/32" hex key.
4. Add pipe cap (200) to top of pole.
3. Install bottom two M4 x 10mm Phillips pan head screws (110) through Centris head mounting holes and into lower mounting holes in display back.
4. Tighten ALL four M4 x 10mm Phillips pan head screws (110). (see Figure 7)

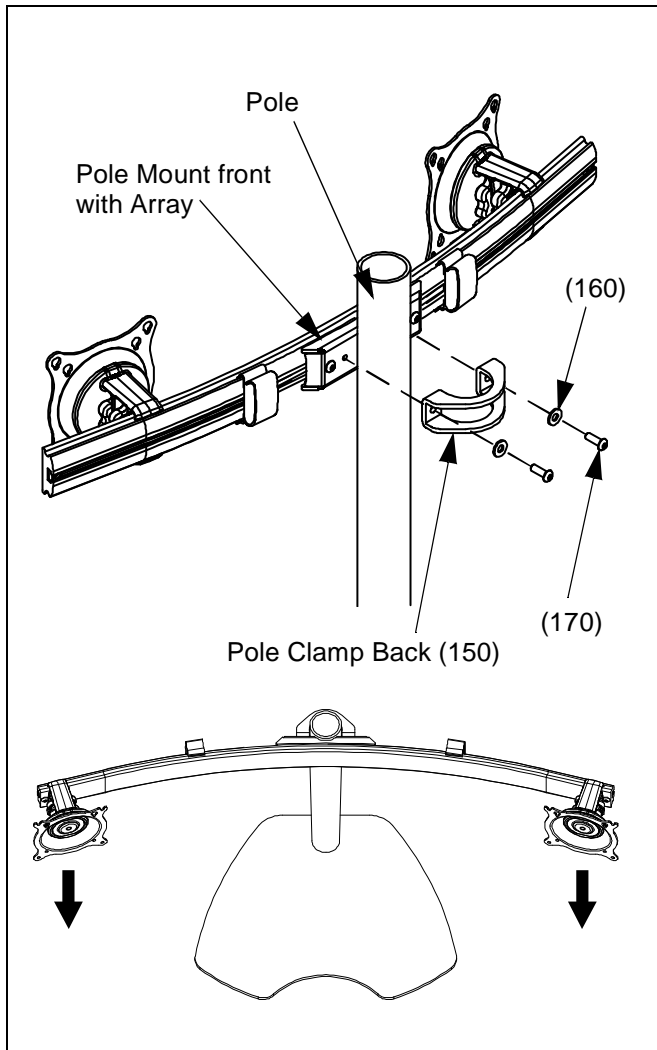


Figure 4: Assemble Array Rail to Pole

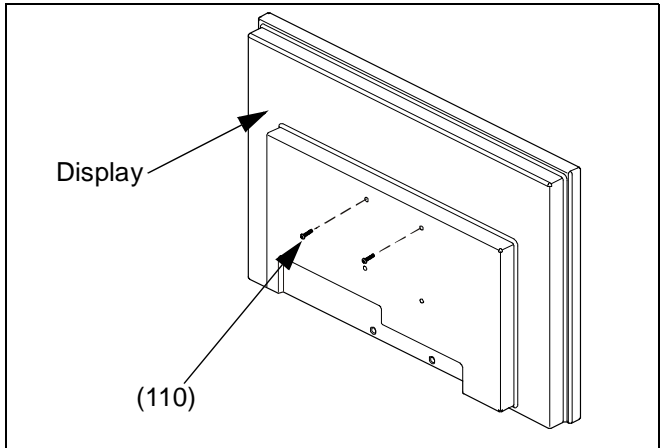


Figure 5: Prepare Display

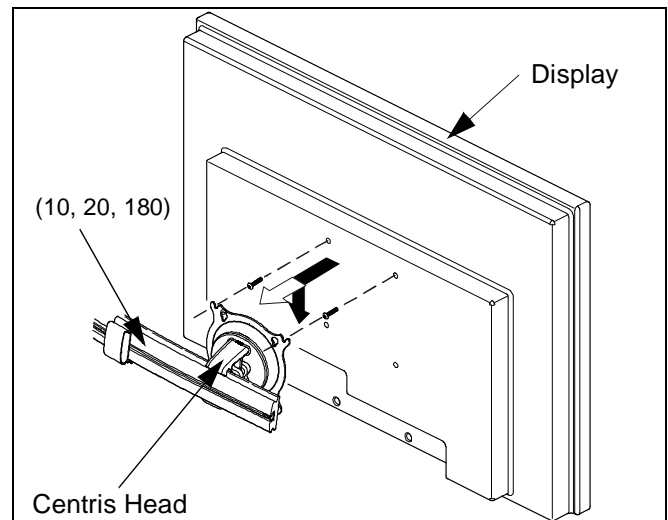


Figure 6: Hang Display

Display Installation

Attach Centris Head to Flush Mount Display

⚠ CAUTION!

If display uses a screw size other than those included in the kit, DO NOT use the screws provided. Using the wrong screws could result in damage to your monitor.

1. Install two M4 x 12mm Phillips pan head screws (110) into two upper mounting holes in display back. (see Figure 5)

NOTE: DO NOT fully tighten at this time.

2. Hang display on Centris head. (see Figure 6)

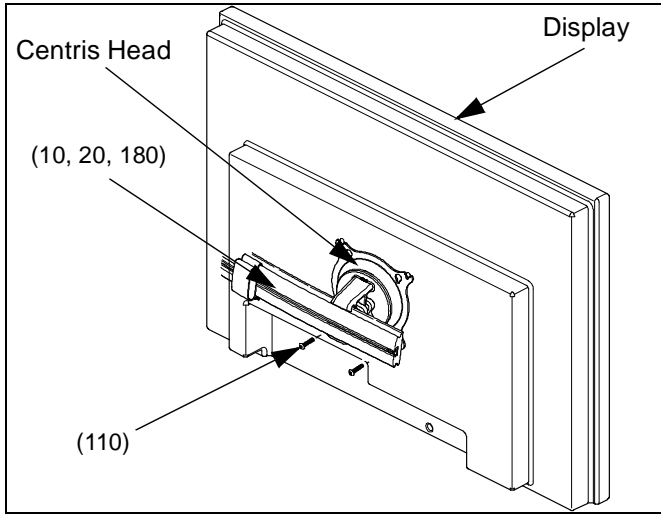


Figure 7: Secure Display to Centris Bracket

Attach Centris Head to Recessed Mount Display

1. Uninstall end lock using the 5/32" hex key (80). (see Figure 8)
2. Remove Centris head from array rail (10, 20, 180).

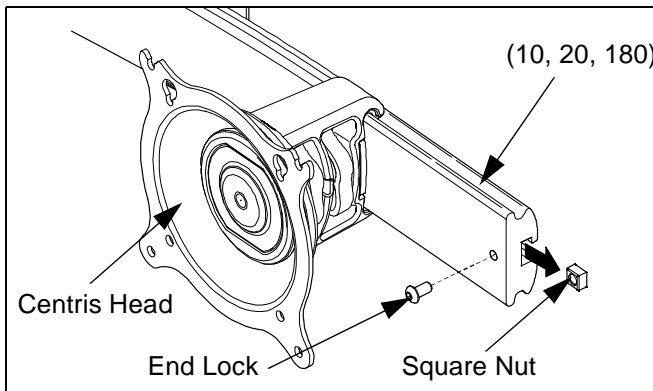


Figure 8: Remove End Lock(s)

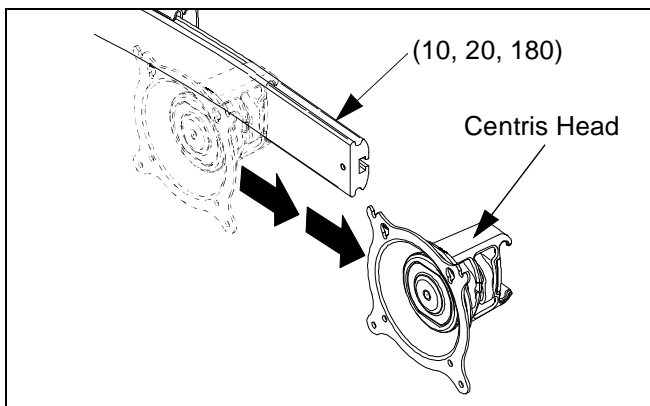


Figure 9: Slide Centris Bracket off Array Rail

3. Place display face down on a clean dry surface.

4. Place four nylon spacers (130) over four mounting holes in display back (see Figure 10).
5. Align Centris head mounting holes with four nylon spacers (130) (see Figure 10).
6. Secure Centris head to display using four M4 x 10mm or four M4 x 20mm Phillips Pan Head Screws (110 or 120) and four spacers (130). (see Figure 10).

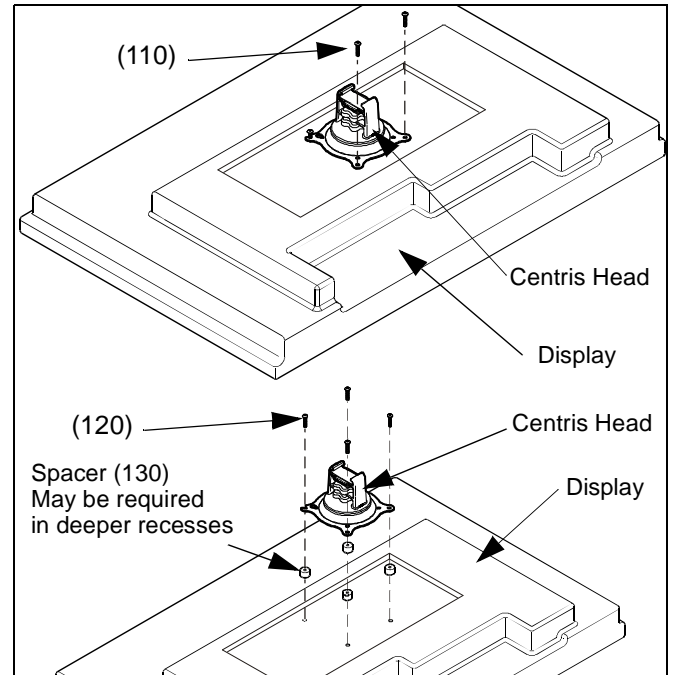


Figure 10: Mount Centris Bracket to Display

7. Slide display with Centris bracket onto array rail (10, 20, 180) (see Figure 11).

NOTE: Repeat previous steps for each additional display.

8. Reinstall end locks into mounting rail using the 5/32" hex key (80) (see Figure 12).

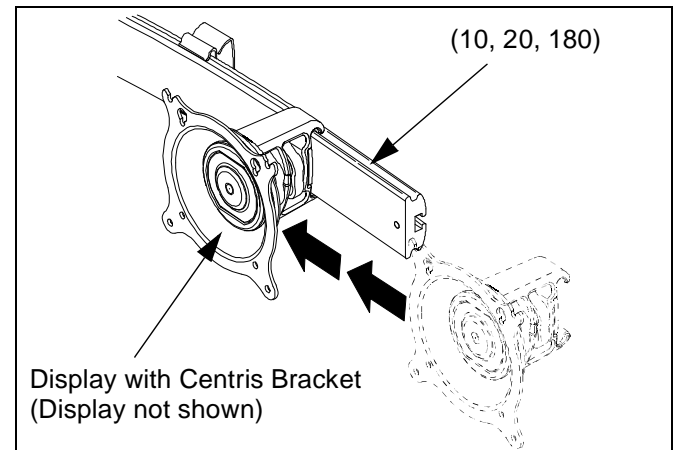


Figure 11: Mount Display with Centris Bracket to Array Rail

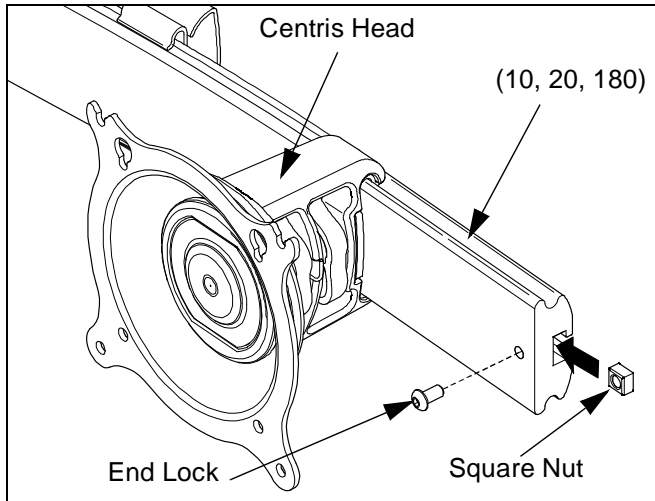


Figure 12: Reinstall End Lock(s)

ADJUSTMENTS

Display Adjustment

The FTP Series mount allows horizontal, pitch, and rotational adjustment of each display.

The FTP Series mount also allows a full 360 degrees of display rotation with a maximum pitch range of 15° up and 15° down.

Display Horizontal Position Adjustment

To adjust display horizontal position:

1. Loosen Centris bracket rear adjustment knob (see Figure 13).
2. Slide Centris bracket with display left or right until properly positioned on array rail.
3. Tighten Centris bracket rear adjustment knob.

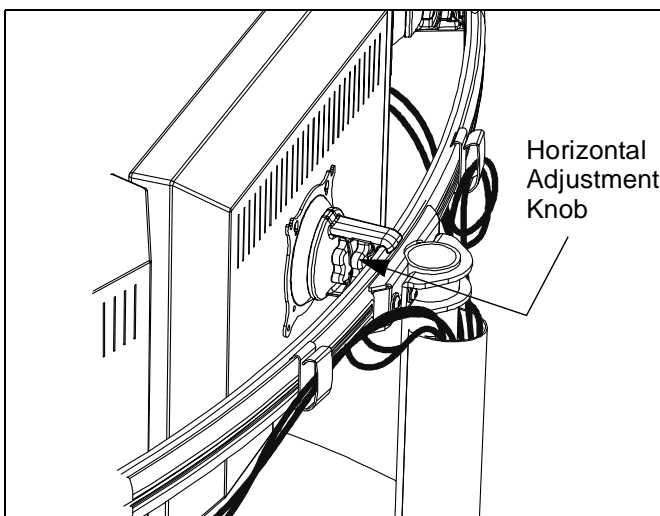


Figure 13: Display Horizontal Adjustment

Display Pitch and Roll Adjustment

To adjust display pitch or roll position:

1. Loosen Centris bracket front adjustment knob. (see Figure 14)
2. Tilt display up or down, or adjust display roll left or right until properly positioned.
3. Tighten Centris bracket front adjustment knob.

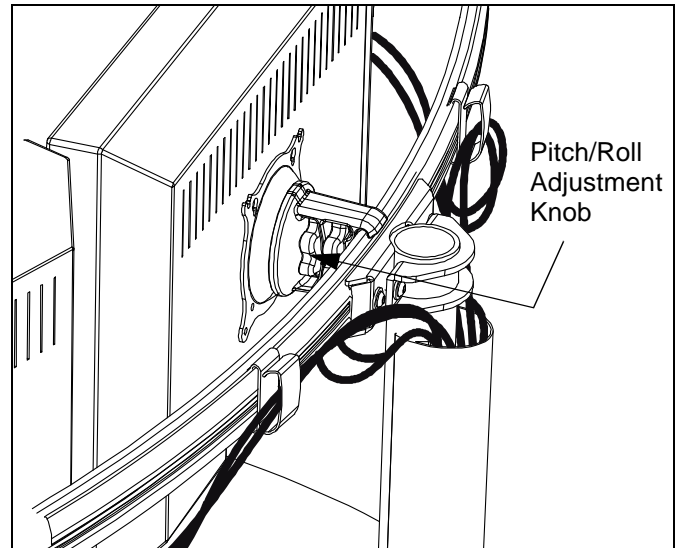


Figure 14: Display Pitch and Roll Adjustment

CABLE MANAGEMENT

The FTP Series mount includes cable management features used to properly route and secure display cables.

To use the cable management features:

1. Connect cables to display.
2. Route cables through cable clips on array rail.
3. Route cables down pole and away from mount and secure to pole using sheath (60).

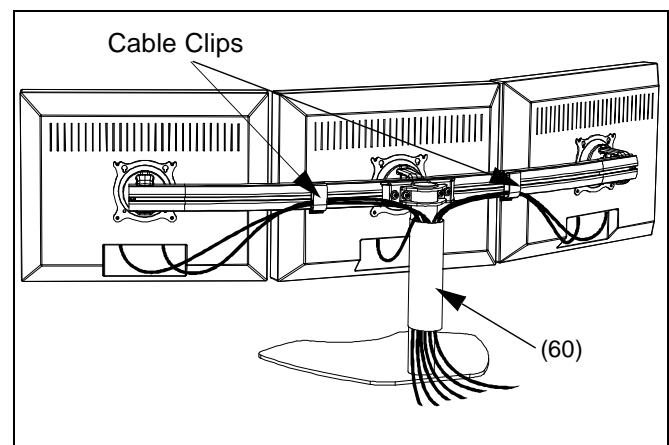


Figure 15: Cable Management

