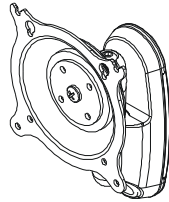
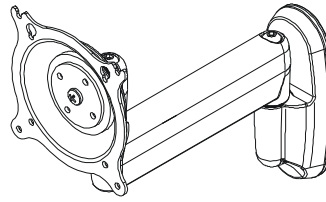
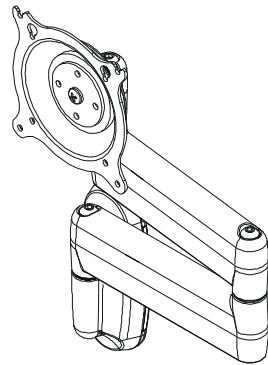

INSTALLATION INSTRUCTIONS



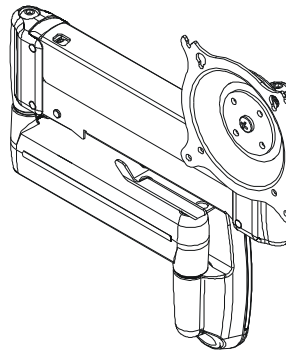
MSP-DCCFWP110
(Pivot)



MSP-DCCFWS110
(Single Arm - Static)



MSP-DCCFWD110
(Dual Arm - Static)



MSP-DCCFWG110
(Dual Arm - Height Adjustable)

Dell Small Flat Panel Wall Mounts

DISCLAIMER

Milestone AV Technologies and its affiliated corporations and subsidiaries (collectively "Milestone"), intend to make this manual accurate and complete. However, Milestone makes no claim that the information contained herein covers all details, conditions or variations, nor does it provide for every possible contingency in connection with the installation or use of this product. The information contained in this document is subject to change without notice or obligation of any kind. Milestone makes no representation of warranty, expressed or implied, regarding the information contained herein. Milestone assumes no responsibility for accuracy, completeness or sufficiency of the information contained in this document.

Chief® is a registered trademark of Milestone AV Technologies. All rights reserved.



IMPORTANT SAFETY INSTRUCTIONS



WARNING: A WARNING alerts you to the possibility of serious injury or death if you do not follow the instructions.



CAUTION: A CAUTION alerts you to the possibility of damage or destruction of equipment if you do not follow the corresponding instructions.



WARNING: Failure to read, thoroughly understand, and follow all instructions can result in serious personal injury, damage to equipment, or voiding of factory warranty! It is the installer's responsibility to make sure all components are properly assembled and installed using the instructions provided.



WARNING: Failure to provide adequate structural strength for this component can result in serious personal injury or damage to equipment! It is the installer's responsibility to make sure the structure to which this component is attached can support five times the combined weight of all equipment. Reinforce the structure as required before installing the component. The wall to which the mount is being attached may have a maximum drywall thickness of 5/8" (1.6cm). Do not install drywall anchors into the seam between drywall pieces.



WARNING: Exceeding the weight capacity can result in serious personal injury or damage to equipment! It is the installer's responsibility to make sure the combined weight of all components attached to the MSP-DCCFWP110, MSP-DCCFWS110, or MSP-DCCFWD110 mounts (including the display) does not exceed 40 lbs (18 kg) or 25 lbs (11 kg) for the MSP-DCCFWG110.



WARNING: Allowing any part of your body or component cables to be caught between movable parts can result in serious personal injury or damage to equipment!



CAUTION: Over-tightening fasteners may result in improper operation, excessive wear or damage to equipment, and/or voiding of factory warranty!



WARNING: Use this mounting system only for its intended use as described in these instructions. Do not use attachments not recommended by the manufacturer.



WARNING: Never operate this mounting system if it is damaged. Return the mounting system to a service center for examination and repair.

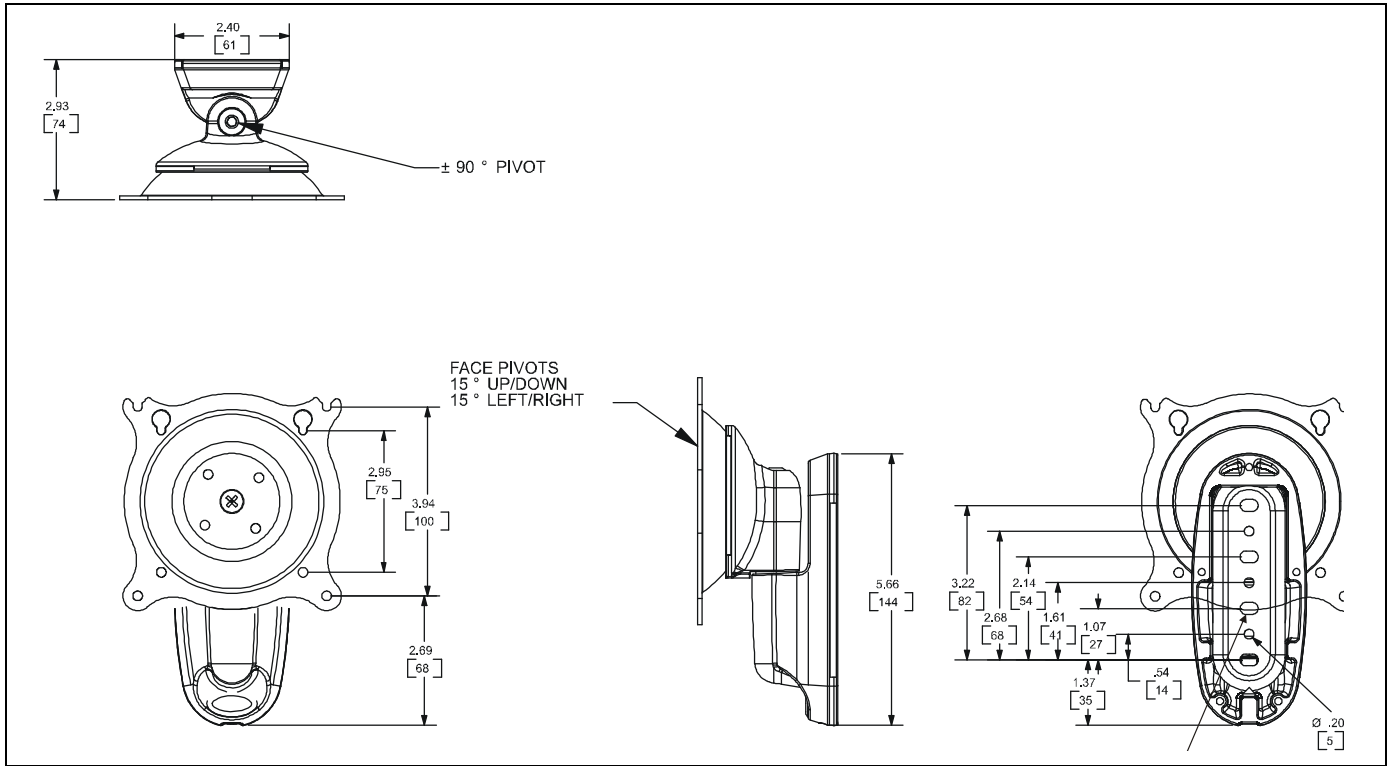


WARNING: Do not use this product outdoors.

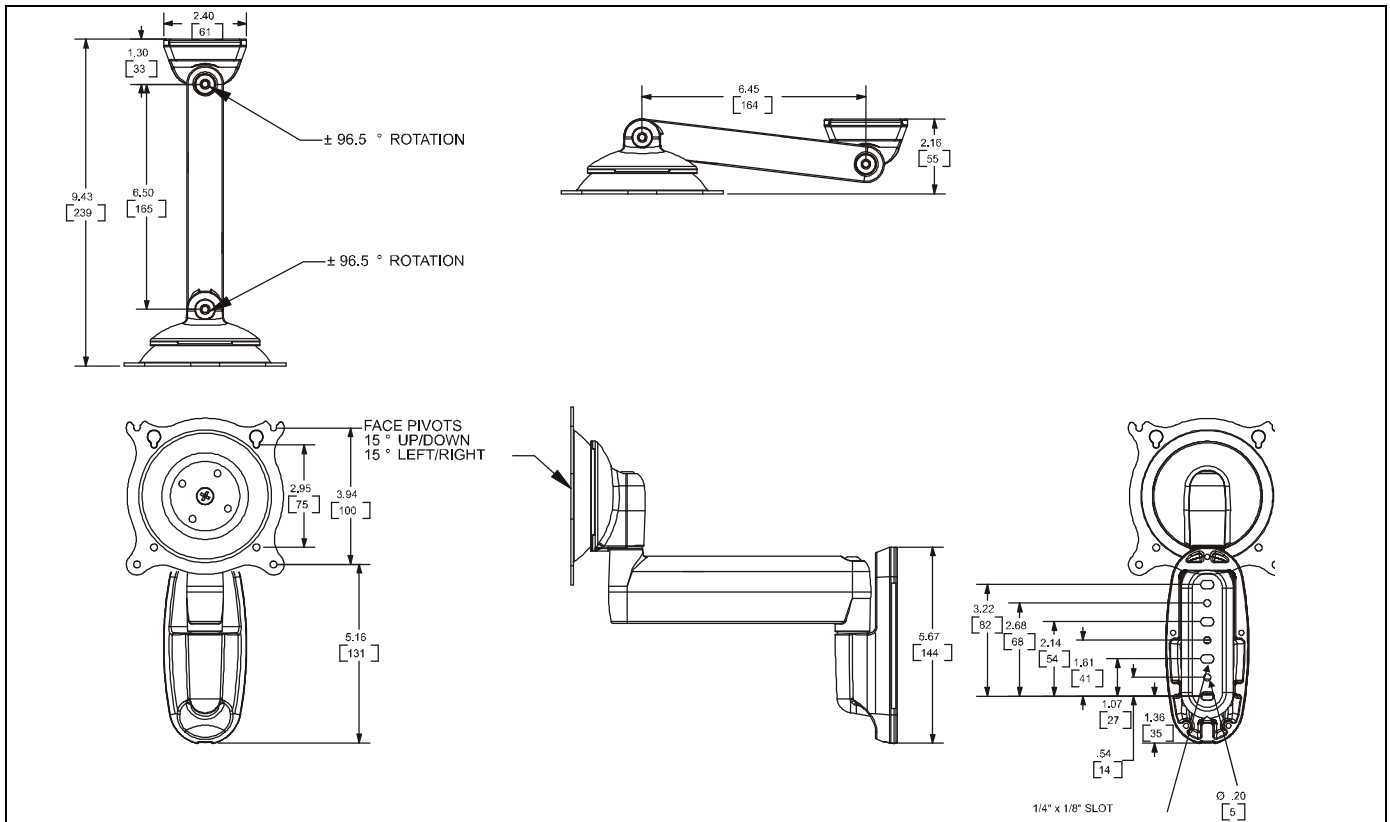
IMPORTANT ! : The MSP-DCCFWP/S/D/G110 mounts are designed to be mounted to 2" x 4" wood studs (16" on center).

--SAVE THESE INSTRUCTIONS--

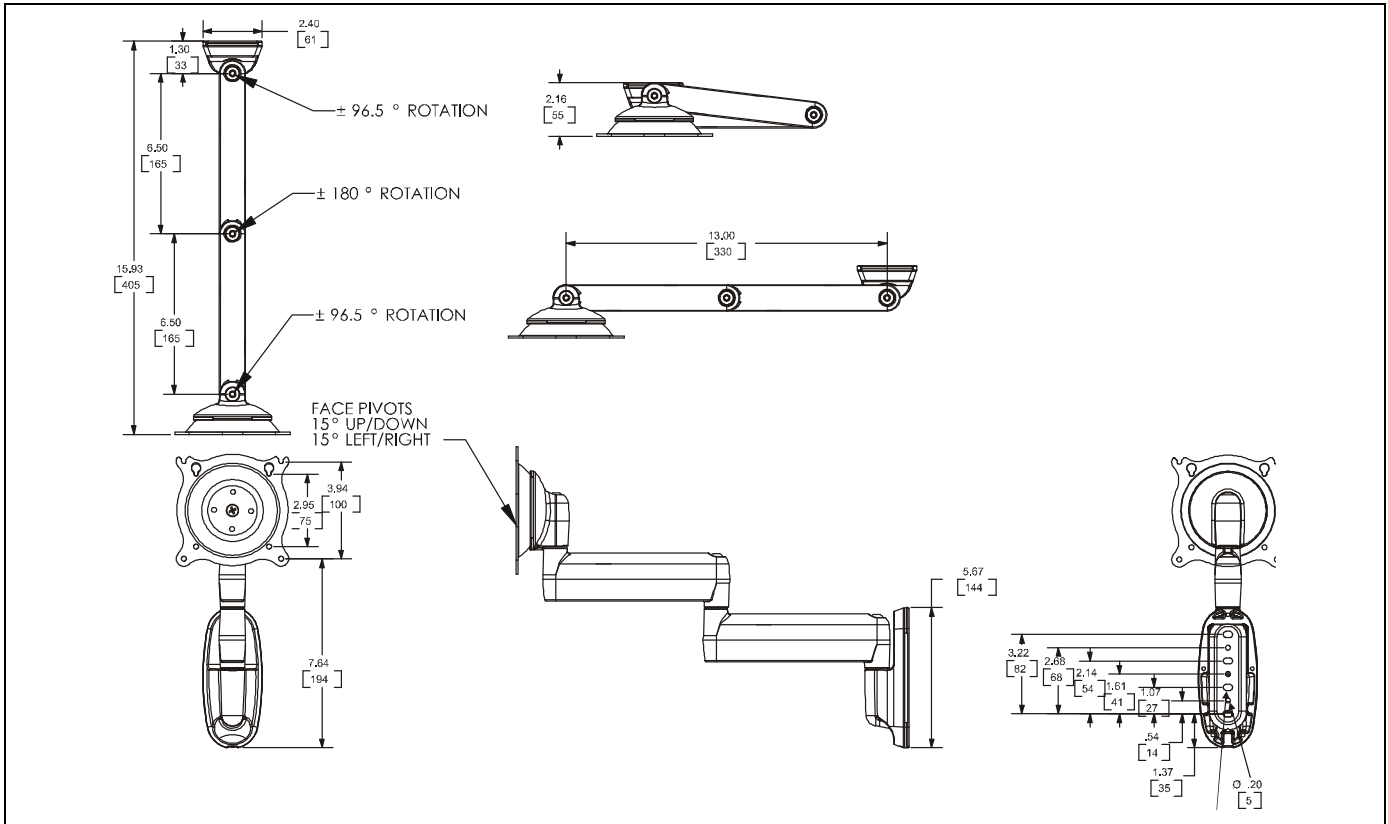
DIMENSIONS(MSP-DCCFWP110)



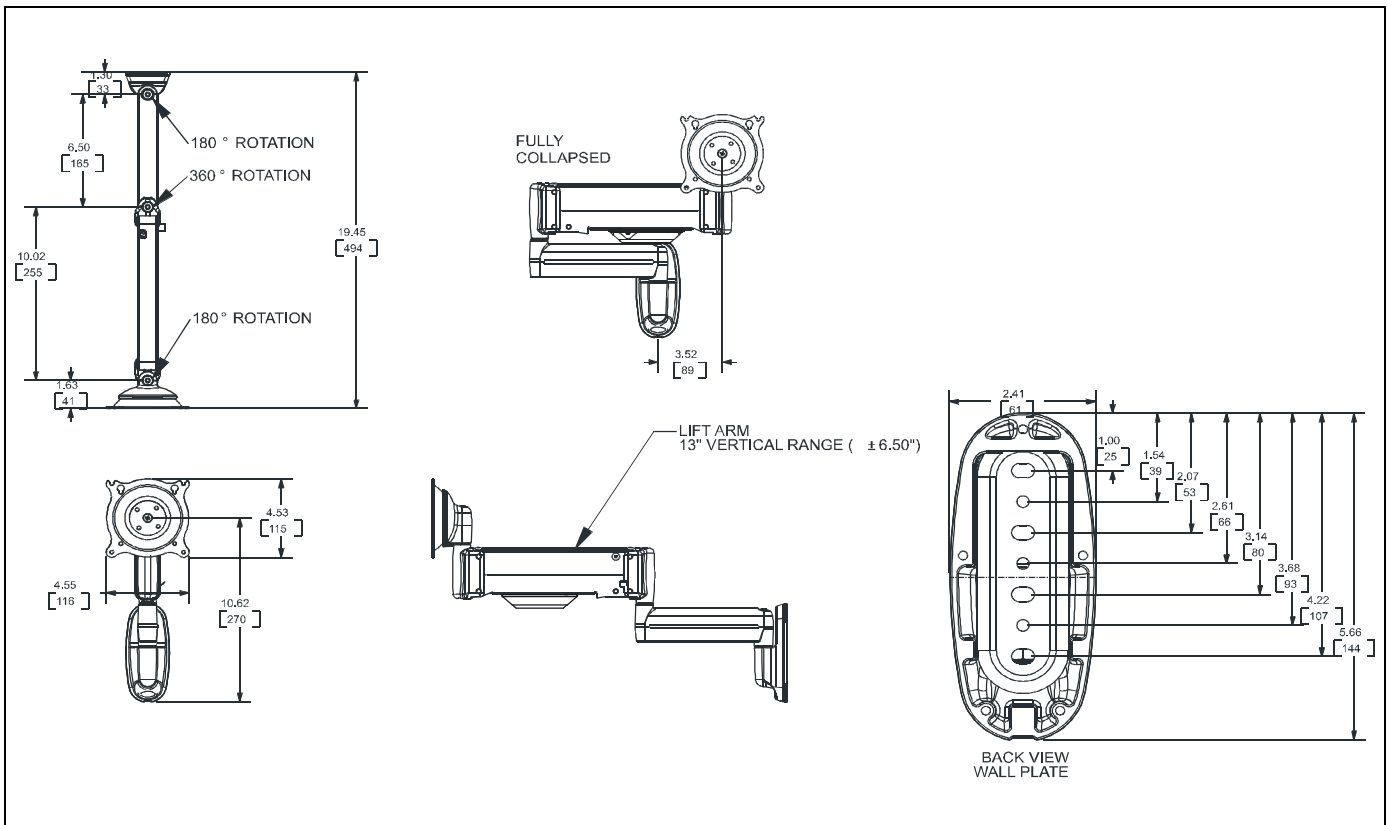
DIMENSIONS (MSP-DCCFWS110)



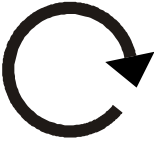

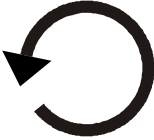









DIMENSIONS (MSP-DCCFWD110)



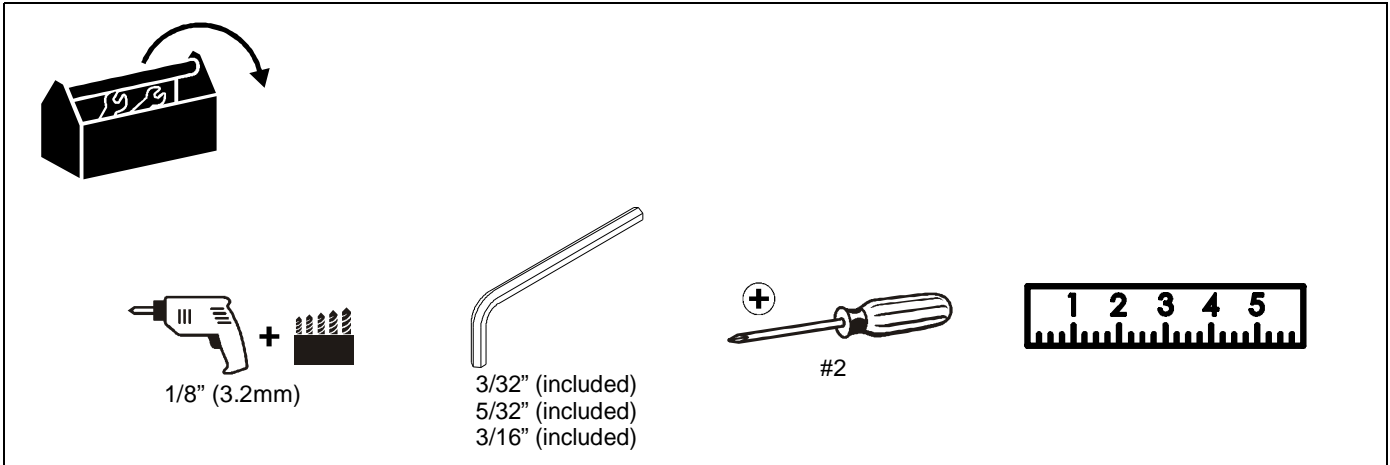
DIMENSIONS (MSP-DCCFWG110)



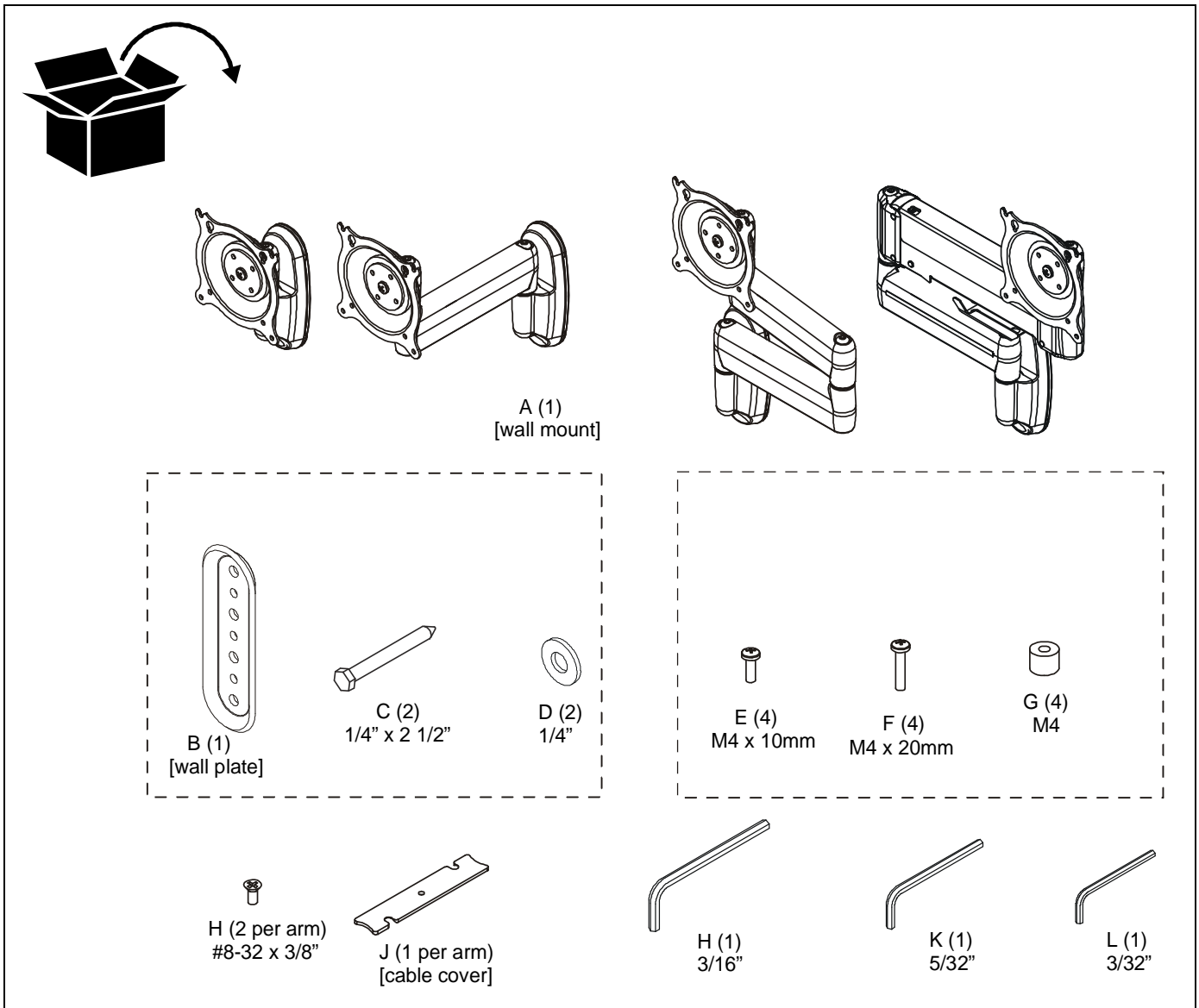
LEGEND

	<p>Tighten Fastener</p> <p>Apretar elemento de fijación</p> <p>Befestigungsteil festziehen</p> <p>Apertar fixador</p> <p>Serrare il fissaggio</p> <p>Bevestiging vastdraaien</p> <p>Serrez les fixations</p>		<p>Pencil Mark</p> <p>Marcar con lápiz</p> <p>Stiftmarkierung</p> <p>Marcar com lápis</p> <p>Segno a matita</p> <p>Potloodmerkteken</p> <p>Marquage au crayon</p>
	<p>Loosen Fastener</p> <p>Aflojar elemento de fijación</p> <p>Befestigungsteil lösen</p> <p>Desapertar fixador</p> <p>Allentare il fissaggio</p> <p>Bevestiging losdraaien</p> <p>Desserrez les fixations</p>		<p>Drill Hole</p> <p>Perforar</p> <p>Bohrloch</p> <p>Fazer furo</p> <p>Praticare un foro</p> <p>Gat boren</p> <p>Percez un trou</p>
	<p>Phillips Screwdriver</p> <p>Destornillador Phillips</p> <p>Kreuzschlitzschraubendreher</p> <p>Chave de fendas Phillips</p> <p>Cacciavite a stella</p> <p>Kruiskopschroevendraaier</p> <p>Tournevis à pointe cruciforme</p>		<p>Adjust</p> <p>Ajustar</p> <p>Einstellen</p> <p>Ajustar</p> <p>Regolare</p> <p>Afstellen</p> <p>Ajuster</p>
	<p>Open-Ended Wrench</p> <p>Llave de boca</p> <p>Gabelschlüssel</p> <p>Chave de bocas</p> <p>Chiave a punte aperte</p> <p>Steeksleutel</p> <p>Clé à fourche</p>		<p>Remove</p> <p>Quitar</p> <p>Entfernen</p> <p>Remover</p> <p>Rimuovere</p> <p>Verwijderen</p> <p>Retirez</p>
	<p>By Hand</p> <p>A mano</p> <p>Von Hand</p> <p>Com a mão</p> <p>A mano</p> <p>Met de hand</p> <p>À la main</p>		<p>Optional</p> <p>Opcional</p> <p>Optional</p> <p>Opcional</p> <p>Opzionale</p> <p>Optie</p> <p>En option</p>
	<p>Hex-Head Wrench</p> <p>Llave de cabeza hexagonal</p> <p>Sechskantschlüssel</p> <p>Chave de cabeça sextavada</p> <p>Chiave esagonale</p> <p>Zeskantsleutel</p> <p>Clé à tête hexagonale</p>		<p>Security Wrench</p> <p>Llave de seguridad</p> <p>Sicherheitsschlüssel</p> <p>Chave de segurança</p> <p>Chiave di sicurezza</p> <p>Veiligheidsleutel</p> <p>Clé de sécurité</p>

TOOLS REQUIRED FOR INSTALLATION



PARTS



Assembly And Installation

1. Determine location for mount keeping in mind display size, extension, and pitch/roll requirements. Wall plate (B) **MUST** be installed into wood stud.
2. Using wall plate (B) as a template, drill two 1/8" diameter pilot holes through top and bottom holes of bracket (B) into wall structure. (See Figure 1)

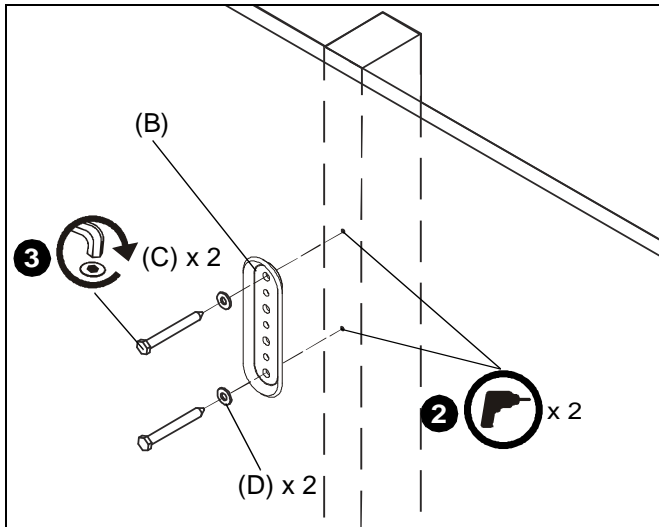


Figure 1

3. Using 7/16" wrench, install two 1/4" x 2 1/2" hex head lag screws (C) through two 1/4" washers (D), wall plate (B), and drywall into wood stud (See Figure 1). Ensure wall plate (B) is vertical, then tighten screws (C).

IMPORTANT ! : Over-tightening screws (C) may cause wall plate (B) to compress into soft wall surface, resulting in difficult mount installation or improper engaging of set screw in Step 5.

IMPORTANT ! : IF *either* of the following situations apply:

- You will be installing an MSP-DCCFWP mount, or
- Your display has a recessed mounting hole cavity, and the Centris bracket (identified in Figure 5) will not fit into that cavity,

THEN proceed to "DISPLAY INSTALLATION" (See Page 8) *before continuing* with this mount installation procedure. Otherwise, continue below.

4. Insert top of mount (A) over lip on top of wall plate (B) (See Figure 2) Swing mount (A) down flush against wall.

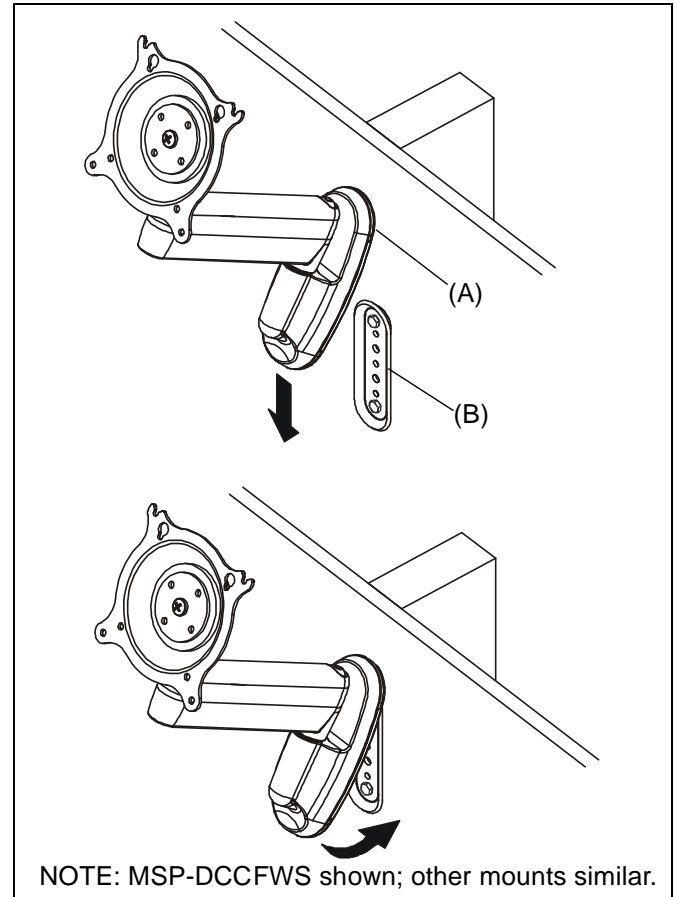


Figure 2

5. Using 5/32" key (K), tighten set screw (See Figure 3). Ensure set screw engages *back* side of wall plate (B) to properly secure mount.

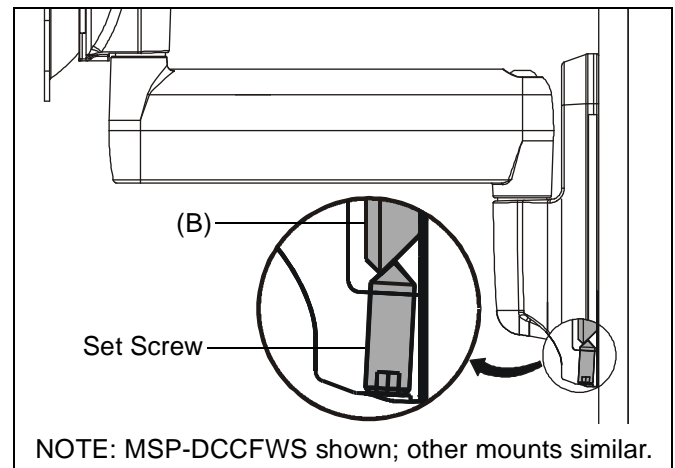


Figure 3

6. Proceed to "CABLE MANAGEMENT" if your display was *previously* installed, or to "DISPLAY INSTALLATION" if your display *is not* installed.

DISPLAY INSTALLATION

ALL MOUNTS

1. Ensure Centris bracket is able to swivel and tilt easily, yet still be tight enough to hold display in desired position (See Figure 4). Adjust as required before proceeding. See "ADJUSTMENT" for detail.

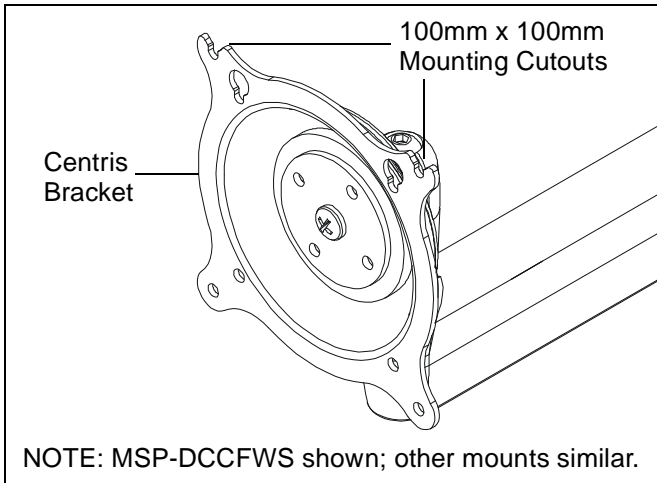


Figure 4

2. Rotate the Centris bracket so that the 100mm x 100mm mounting cutouts are on top. (See Figure 4)

MSP-DCCFWS, MSP-DCCFWD, and MSP-DCCFWG MOUNTS ONLY

IMPORTANT ! : If your display has a recessed mounting hole cavity, *and* the Centris bracket will not fit into that cavity (See Figure 8), then follow the "ALL MOUNTS REQUIRING SPACERS" procedure.



CAUTION: Using screws of improper size may damage your display! Proper screws will easily and completely thread into display mounting holes.



CAUTION: Inadequate thread engagement in display may cause display to fall! Back out screws **ONLY** as necessary to allow installation of Centris bracket!

1. Using Phillips screwdriver, carefully install two screws (E) into the *upper* mounting holes on the display (See Figure 5). Thread screws completely into display, then back out 3-1/2 turns.

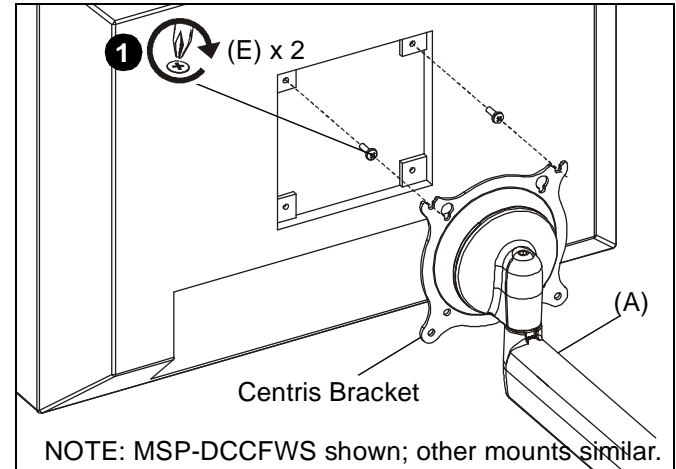


Figure 5

2. Pick up and align display so that screws (E) (installed in the previous step) fit into *upper* 100mm x 100mm mounting cutouts, or *upper* 75mm x 75mm mounting holes (as applicable) on Centris bracket. (See Figure 5) Lower display firmly into place.

NOTE: Display will be hanging on upper two screws (E).

3. Using Phillips screwdriver, install two remaining screws (E) through the *lower* mounting holes in Centris bracket into the display. (See Figure 6)

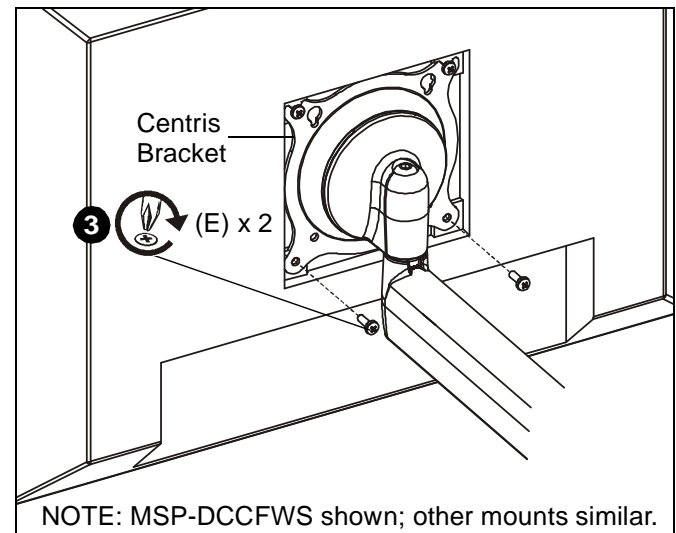


Figure 6

4. Tighten all four screws (E). Do not over-tighten!
5. Proceed to "CABLE MANAGEMENT."

MSP-DCCFWP MOUNT ONLY

IMPORTANT ! : If your display has a recessed mounting hole cavity, *and* the Centris bracket will not fit into that cavity (See Figure 8), then follow the “ALL MOUNTS REQUIRING SPACERS” procedure.

1. Carefully place display face down on protective surface.
2. Pick up and orient the mount (A) so that the mounting holes in the Centris bracket are aligned with the mounting holes in the display. (See Figure 7)

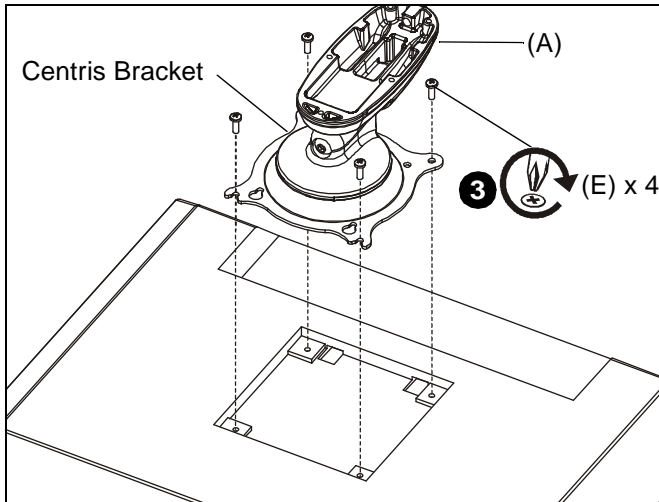


Figure 7



CAUTION: Using screws of improper size may damage your display! Proper screws will easily and completely thread into display mounting holes.

3. Using Phillips screwdriver, install four screws (E) through the mounting holes/cutouts in Centris bracket into the display. (See Figure 7) Tighten all four screws (E). Do not over-tighten!
4. Continue with “MOUNT INSTALLATION.”

ALL MOUNTS REQUIRING SPACERS

IMPORTANT ! : Spacers (G) are used only if your display has a recessed mounting hole cavity, *and* the Centris bracket will not fit into that cavity (See Figure 8).

1. Carefully place display face down on protective surface.
2. Place four spacers (G) over each of the mount holes on the back of the display. (See Figure 8)

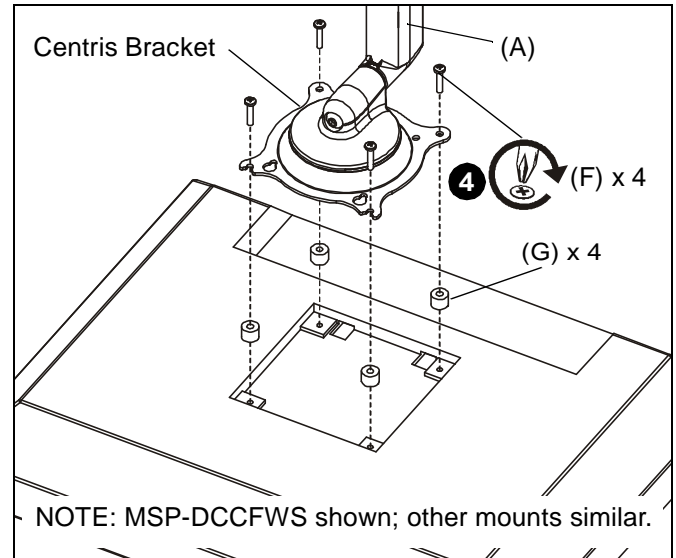


Figure 8

3. Pick up and orient the mount (A) so that the mounting holes in the Centris bracket are aligned with the holes in the spacers (G). (See Figure 8)



CAUTION: Using screws of improper size may damage your display! Proper screws will easily and completely thread into display mounting holes.

4. Using Phillips screwdriver, install four screws (F) through the mounting holes/cutouts in Centris bracket, through the spacers (G), into the display. (See Figure 8) Tighten all four screws (F). Do not over-tighten!
5. Continue with “MOUNT INSTALLATION.”

CABLE MANAGEMENT

1. Attach all cables to display.
2. If you have an:
 - MSP-DCCFWP mount, installation is complete.
 - MSP-DCCFWS or MSP-DCCFWD mount, proceed to Step 6.
 - MSP-DCCFWG mount, proceed to Step 3.
3. Open the cable management bracket by sliding it towards the edge of the arm. (See Figure 9)

NOTE: If necessary, cable management bracket attach screws may be loosened using hex key (L).

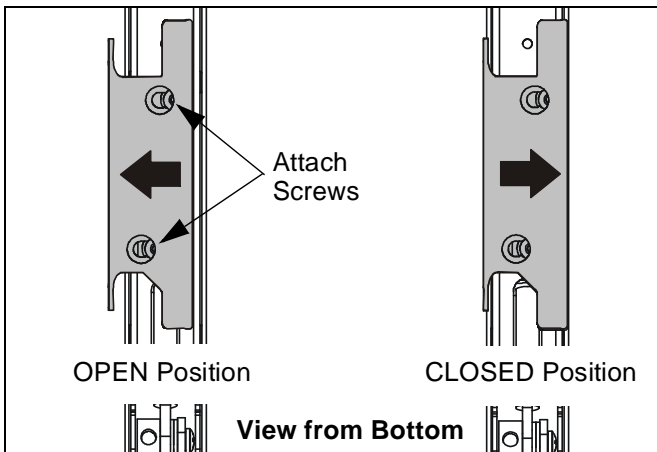


Figure 9



CAUTION: Ensure that adequate cable slack exists for movement of display, and that cables will not be pinched when bracket is closed.

4. Carefully insert cables into bracket. (See Figure 10)

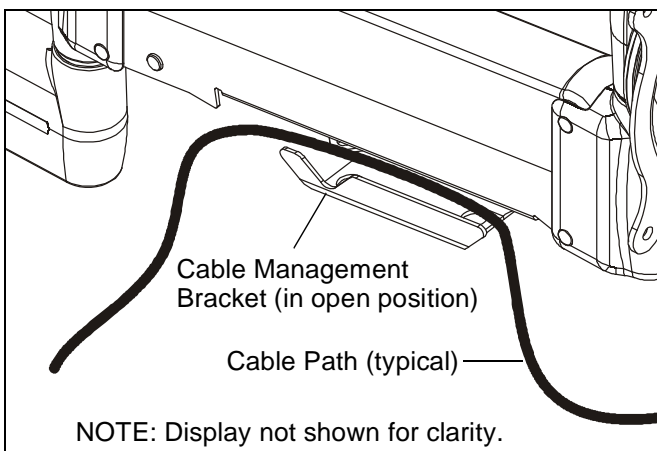


Figure 10

5. Close cable management bracket by sliding it back towards the centerline of the arm. (See Figure 9)

NOTE: If necessary, cable management bracket attach screws may be tightened using hex key (L).



CAUTION: Ensure that adequate cable slack exists for movement of display, and that cables will not be pinched by installation of cover (J) or screws (H).

6. Carefully insert cables in cavity located in lower portion of mount arm. (See Figure 11)
7. Using Phillips screwdriver, install cover (J) with two screws (H). (See Figure 11)

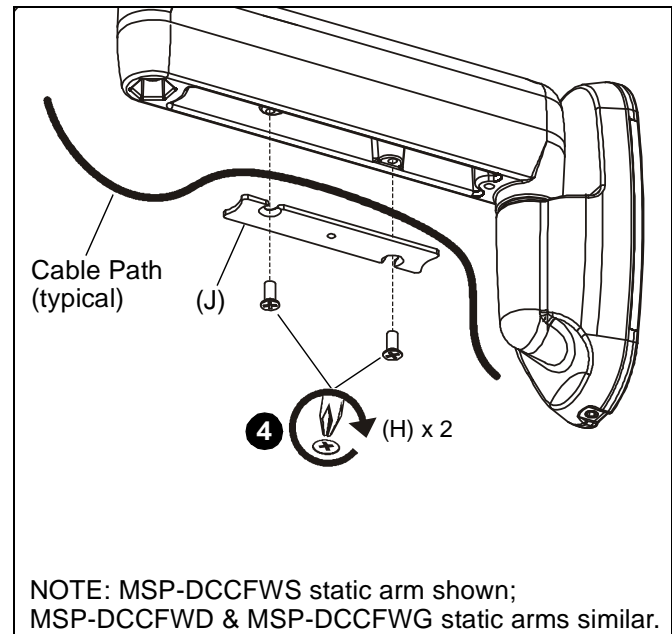


Figure 11

8. Installation is complete.

ADJUSTMENT

CENTRIS HEAD

1. If previously attached, disconnect cables from display, then remove display.
2. Using Phillips screwdriver, slightly loosen or tighten the adjustment screw as necessary. (See Figure 12)

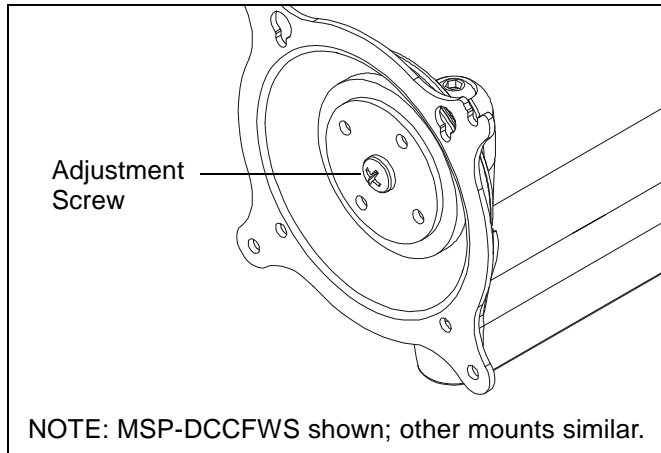


Figure 12

3. Install mount and then display cables. See "DISPLAY INSTALLATION."

PIVOT/SWING

1. Using key (H), slightly loosen or tighten the adjustment screw(s) as necessary. (See Figure 13)

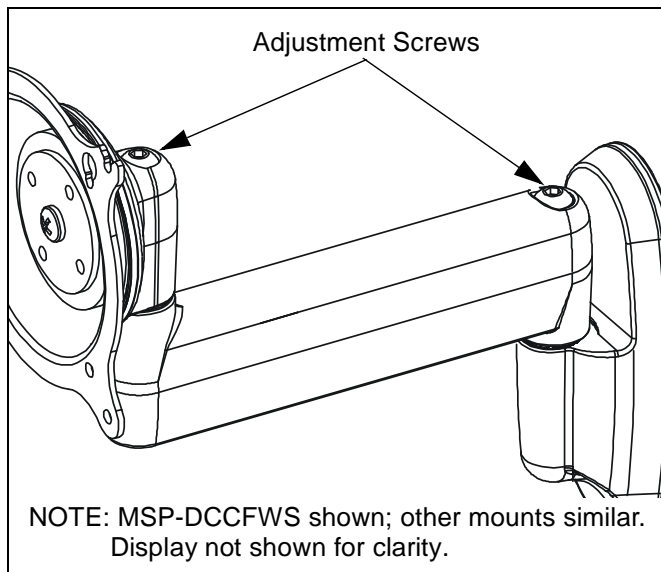


Figure 13

HEIGHT ADJUSTABLE (MSP-DCCFWG Only)

IMPORTANT ! : It is important that the mount be attached to the mounting surface AND display be attached to the mount BEFORE attempting to adjust the height adjustable arm.

1. Using key (K), slightly loosen or tighten the adjustment screw as necessary (See Figure 14).
 - If display settles on its own, then rotate adjustment screw counterclockwise (towards the "+" symbol).
 - If display rises on its own, then rotate adjustment screw clockwise (towards the "-" symbol).

NOTE: It may be necessary to raise or lower the height adjustable arm to expose the adjustment screw.

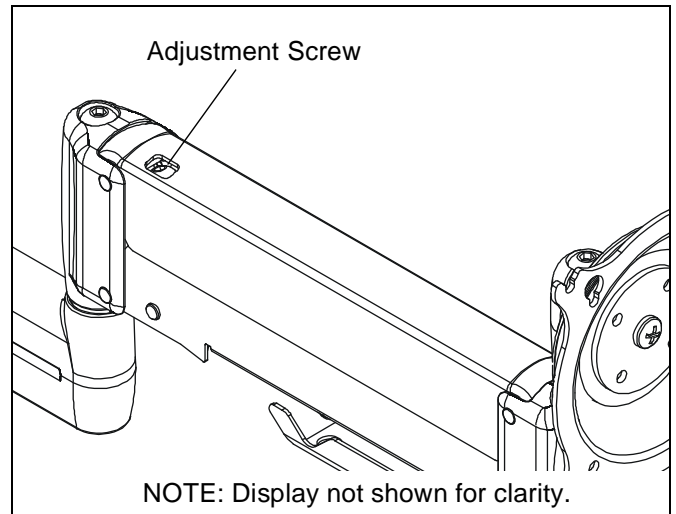


Figure 14



Our Mounts. **Your Vision.**

Chief Manufacturing, a products division
of Milestone AV Technologies

8800-002390 Rev00
©2013 Milestone AV Technologies, a
Duchossois Group Company
www.chiefmfg.com
06/13

USA/International	A 6436 City West Parkway, Eden Prairie, MN 55344 P 800.582.6480 / 952.225.6000 F 877.894.6918 / 952.894.6918
Europe	A Franklinstraat 14, 6003 DK Weert, Netherlands P +31 (0) 495 580 852 F +31 (0) 495 580 845
Asia Pacific	A Office No. 1 on 12/F, Shatin Galleria 18-24 Shan Mei Street Fotan, Shatin, Hong Kong P 852 2145 4099 F 852 2145 4477

