

---

# INSTALLATION INSTRUCTIONS

---

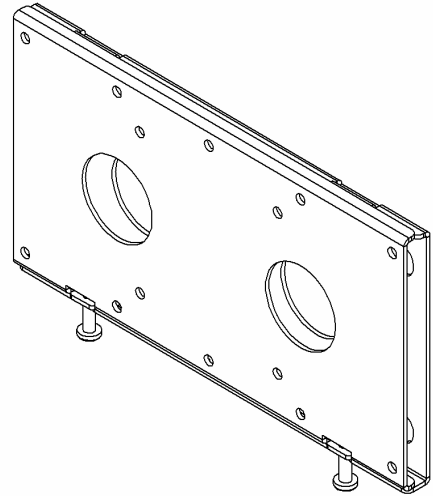
## Flat Panel Static Wall Mount MSP-DCCGSM-210

The static wall mount fits most 23" to 30" displays.

The mount is designed to adapt to VESA® 200mm/100mm compliant displays. This mount will also adapt to standard VESA® 75mm/100mm compliant displays.

The mount allows the user to mount the display in a fixed position on the wall. The maximum load capacity of the GSM-210 is 45 lbs. (20.4kg).

The mount can be locked into position for added safety and security. The display can only be removed from the wall bracket when the mount is unlocked.



**MSP-DCCGSM-210**

## BEFORE YOU BEGIN

---

- **CAUTION: To prevent damage to your display, which could affect or void the Factory warranty, thoroughly study all instructions and illustrations before you begin to install the mount brackets. Pay particular attention to the "Important Warnings and Cautions" on Page 2.**
- If you have any questions about this installation, contact Chief Manufacturing at 1-800-582-6480 or 952-582-6480.
- If a defect is discovered after Dell's initial 30-day Customer Satisfaction period, Chief Mfg. will, at its option, repair or repair the product at not charge provided it is returned during the warranty period. Please note contact information for Chief Mfg. listed below.

# IMPORTANT WARNINGS and CAUTIONS!

- **WARNING** A **WARNING** alerts you to the possibility of serious injury or death if you do not follow the instructions.
- **CAUTION** A **CAUTION** alerts you to the possibility of damage or destruction of equipment if you do not follow the corresponding instructions.
- **WARNING** **Improper installation can result in serious personal injury! Make sure that the mounting surface can support a redundant weight factor *five times* the total weight of the equipment. If not, reinforce the mounting surface structural members before installing the mount.**
- **WARNING** **Be aware of the potential for personal injury or damage to the unit if it is not adequately mounted.**
- **WARNING** **The installer is responsible for verifying that the mounting surface to which the mount is anchored will safely support the combined load of all attached components or other equipment.**
- **WARNING** **The combined weight of the display placed on the mount must not exceed 45 lbs. (20.4kg), the maximum load capacity of the mount.**
- **WARNING** **Watch for pinch points. Do not put your fingers between movable parts.**
- **WARNING** **Make sure the mount is correctly oriented.**
- **CAUTION** Check the unit for shipping damage before you begin the installation.
- **CAUTION** If your monitor uses a longer screw size other than those included in the kit, DO NOT use the screws provided with the mount. Use the screws provided with your monitor or contact the manufacturer. Using the wrong screws could result in damage to your monitor.

## CONTENTS

STATIC MOUNT KIT .....	3
Installing the Wall Bracket (Step 1) .....	4
OPTION A (Drywall Installation Procedures) .....	4
OPTION B (Wall Stud Installation Procedures) .....	5
Installing the Locking Screws onto the VESA Bracket (Step 2) .	6
Installing short locking screws .....	6
Installing long locking screws with spacers .....	6
Attaching the VESA Bracket to the Display (Step 3) .....	7
Flushed Mount .....	7
Recessed Mount .....	8
Mounting the Display (Step 4) .....	9
Cable Hook-up (Step 5) .....	9
Locking the Display on the Wall Bracket (Step 6) .....	9

## TOOLS REQUIRED FOR INSTALLATION

- Phillips screwdriver
- Drill and drill bits

**NOTE:** Other tools may be required depending on your method of installation.

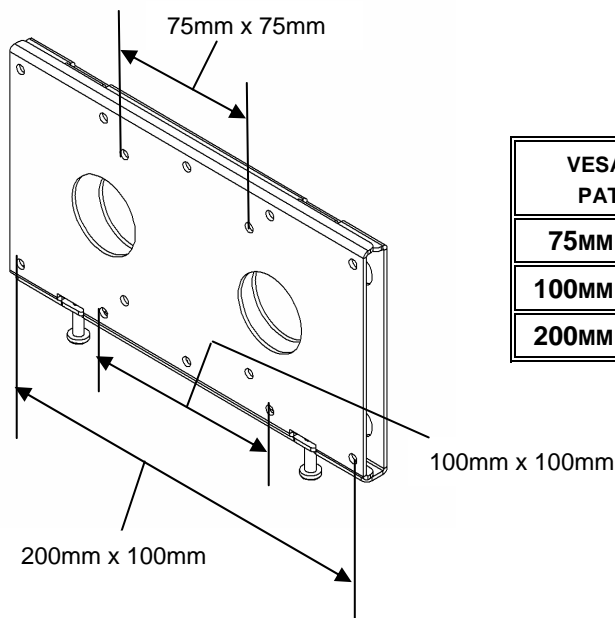
# STATIC MOUNT KIT

Unpack the carton. Verify the kit contents shown in Table 1. Read installation instructions completely. If you are missing any of the listed components, please contact Customer Service at 1-800-582-6480.

**Table 1. Static Mount Kit**

ITEM NUMBER	DESCRIPTION	QTY	NOTES
10	BRKT, VESA STATIC INTERFACE	1	
20	BRKT, WALL STATIC MOUNT	1	
30	ANCHOR, HOLLOW WALL	4	DRYWALL MOUNTED
40	PHILLIPS HEAD WOOD SCREW, 2-1/2"	2	SINGLE STUD MOUNTED
50	PHILLIPS PAN HEAD MACHINE SCREW, M5 X 16MM	2	USED FOR LOCKING
60	PHILLIPS PAN HEAD MACHINE SCREW, M5 X 80MM	2	
70	1-1/4" NYLON SPACER	4	
80	PHILLIPS PAN HEAD MACHINE SCREW, M4 X 12MM <b>OR</b>	6	FLUSH MOUNT
	PHILLIPS PAN HEAD MACHINE SCREW, M4 X 12MM (USE WITH 90)*	6	RECESSED MOUNT
90	1/8" NYLON SPACER	6	
100	PHILLIPS PAN HEAD MACHINE SCREW, M4 X 20MM (USE WITH 110) **	6	
110	3/8" NYLON SPACER	6	
120	PHILLIPS PAN HEAD MACHINE SCREW, M4 X 30MM (USE WITH 130) ***	6	
130	3/4" NYLON SPACER	6	

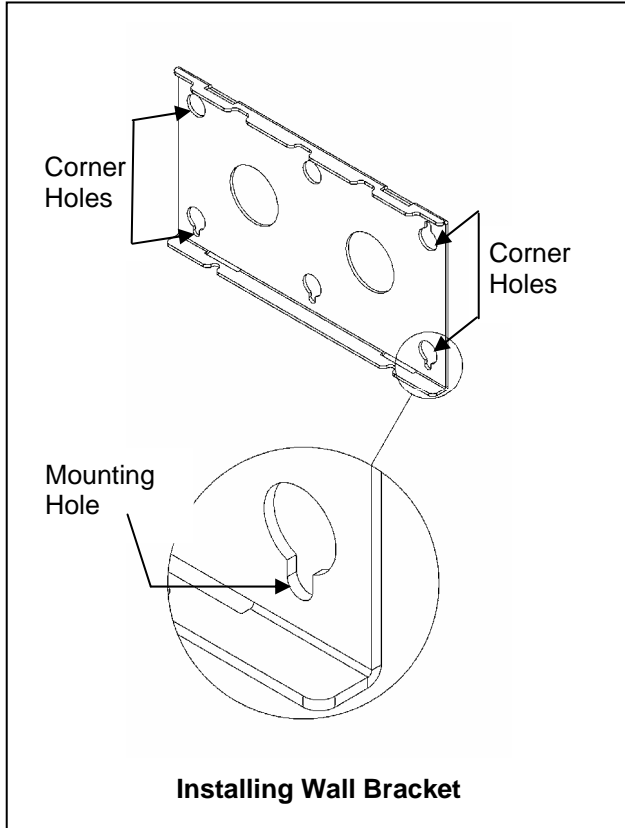
- \*Use M4 x 12mm screws (80) with spacers (90) for recessed mount applications.
- \*\*Use M4 x 20mm screws (100) with spacers (110) for recessed mount applications.
- \*\*\*Use M4 x 30mm screws (120) with spacers (130) for recessed mount applications.



**VESA CHART**

VESA HOLE PATTERN	4-HOLE	6-HOLE	FLUSH MOUNT	RECESSED MOUNT
75MM X 75MM	X		X	X
100MM X 100MM	X		X	X
200MM X 100MM		X	X	X

## Step 1, Option A



**NOTE:** Read the Warnings and Cautions on Page 2.

### Installing the Wall Bracket (Step 1)

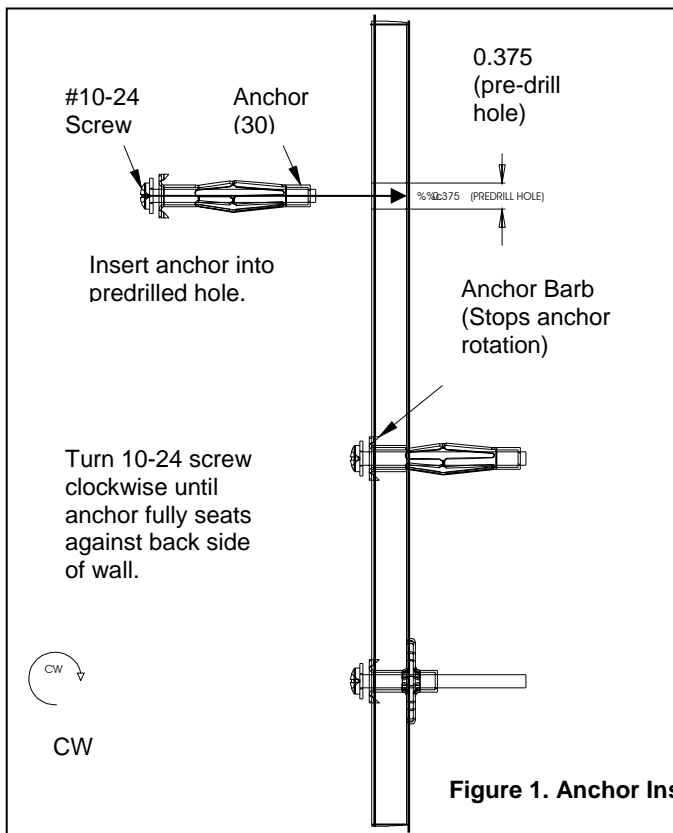
To install the wall bracket, perform Option A or Option B (see page 5) as applicable.

#### OPTION A (Drywall Installation Procedures)

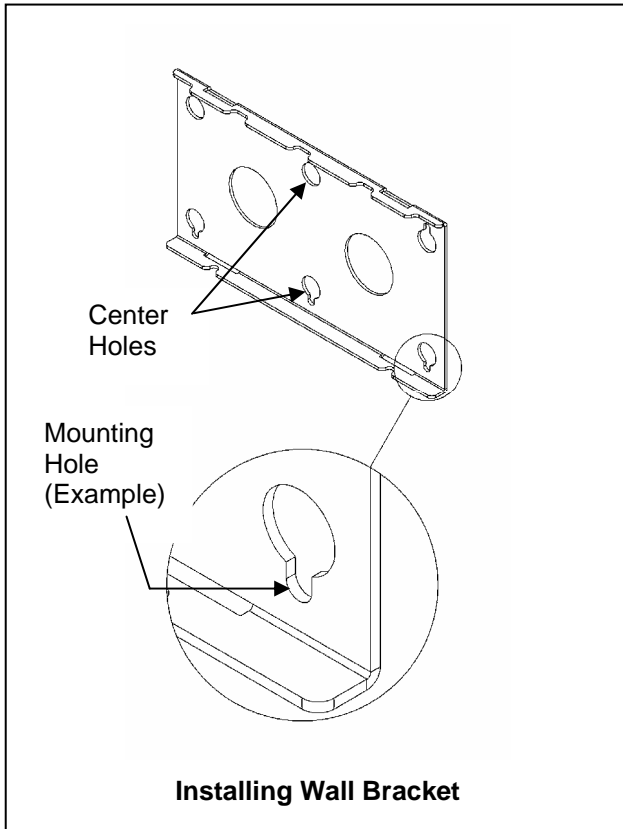
- A. Determine the exact mounting location prior to installation, considering screen size.
- B. Position the wall bracket (20), as needed on the wall. Using the wall bracket (20) as a template at the desired mounting location, mark the location of the four corner mounting holes.

**NOTE:** This procedure applies to a minimum drywall thickness of ½ inch (12.7 mm).

- C. Using a 3/8-inch drill, drill four pilot holes at the locations marked in Step A.
- D. Install an anchor (30) in one of the pilot holes and tighten anchor bolt until it is fully seated (see Figure 1).
- E. Remove and retain bolt from anchor (30) and repeat Step D and E for three remaining anchors (30).
- F. Using four bolts, with washers installed, secure wall bracket (20) to wall.



## Step 1, Option B



**NOTE:** Read the Warnings and Cautions on Page 2.

### OPTION B (Wall Stud Installation Procedures)

- A. Determine the exact mounting location prior to installation, considering screen size as well as the mount swing and extension radius.
- B. Locate stud and, using wall bracket (20) as a template at the desired height, mark the location of the **two center mounting holes**.
- C. Using the two wood screws (40), secure wall bracket (20) to wall.

## Step 2

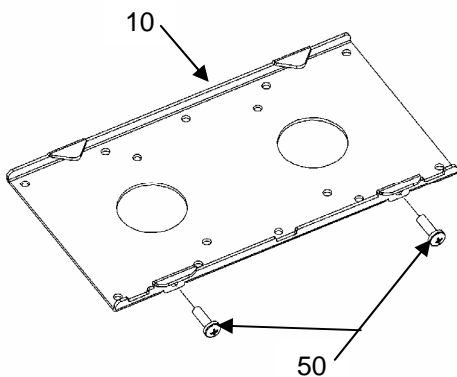
### Installing the Locking Screws onto the VESA Bracket (Step 2)

**NOTE:** The locking screws can be attached to the VESA bracket before the bracket is hung on the wall. Select one of the following options, depending on the type of installation you want.

- To install short locking screws, use two M5 x 16mm screws (50). No spacers are needed.
- To install long locking screws, use two M5 x 80mm screws (60) and four 1-1/4 inch spacers (70).

#### Installing short locking screws

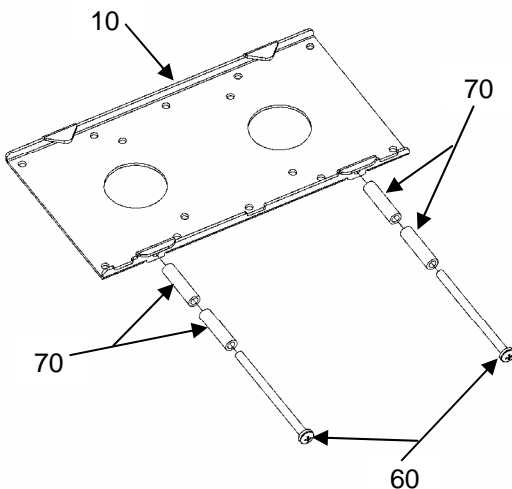
- Locate VESA bracket (10) and two M5 x 16mm screws (50) provided with the kit contents.
- Insert the two screws (50) into the threaded holes at the bottom of the VESA bracket (10). Turn the screws just enough to remain threaded in the holes. The screws will be tightened later.



Installing Short Locking Screws

#### Installing long locking screws with spacers

- Locate VESA bracket (10), two spacers (70), and two M5 x 80mm screws (60) provided with the kit contents.
- Install two spacers (70) on each of the two screws (60).
- Insert the two screws into the threaded holes at the bottom of the VESA bracket (10). Turn the screws just enough to remain threaded in the holes. The screws will be tightened later.



Installing Long Locking Screws with Spacers

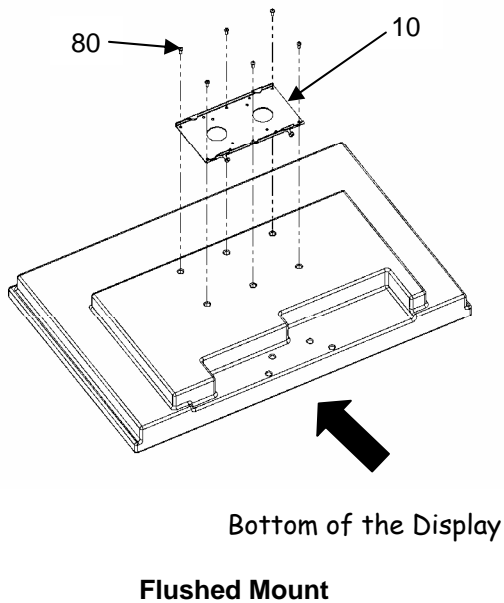
## Step 3

### Attaching the VESA Bracket to the Display (Step 3)

**NOTE:** Choose the instructions, listed below, that apply to the type of installation you want.

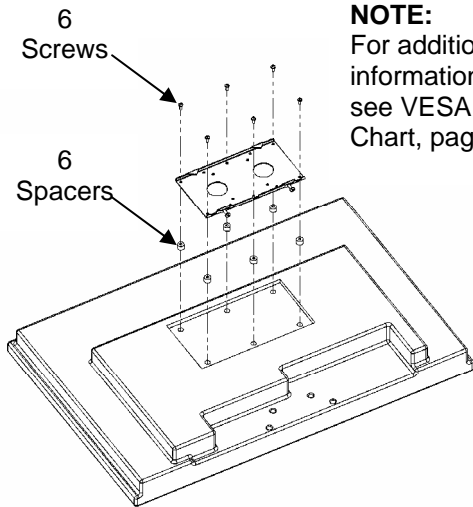
- Flush Mount Applications do not use spacers. The display is attached to the mount with six screws.
- Recessed Mount Applications use spacers. The display is attached to the mount with six screws and six spacers.

**CAUTION:** If display uses a screw size other than those included in the kit, **DO NOT** use the screws provided. Using the wrong screws could result in damage to your monitor.



#### Flushed Mount

- A. Place the VESA bracket (10) on the display.
- B. Align the hole-pattern of your display with the hole-pattern on the VESA bracket (10).
- C. Attach VESA bracket (10) to the display using six M4 X 12mm screws (80).



**NOTE:**  
For additional information, see VESA Chart, page 3

### Recessed Mount

**NOTE:** Select option 1, 2, or 3 to pick the applicable screw and spacer combination.

- Refer to Table 2 for 200mm/100mm compliant displays.
  - Refer to Table 3 for 75mm/100mm compliant displays.
- A. Select six screws and six spacers (Table 2 or Table 3).
  - B. Set six spacers over the six mounting holes on your display.
  - C. Set VESA interface bracket (10) on top of spacers and install six screws into the mounting holes of your display.

### Recessed Mount

**Table 2. 200mm/100mm Compliant Displays**

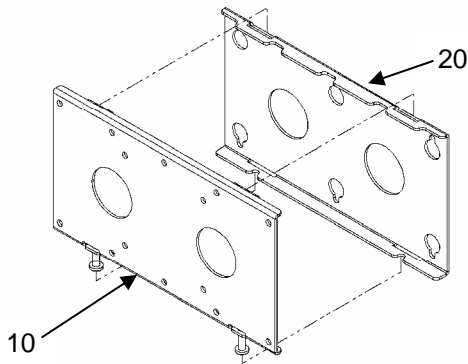
OPTION	SCREW	QTY	SPACER	QTY
1	80	6	90	6
2	100	6	110	6
3	120	6	130	6

**Table 3. 75mm/100mm Compliant Displays**

OPTION	SCREW	QTY	SPACER	QTY
1	80	4	90	4
2	100	4	110	4
3	120	4	130	4

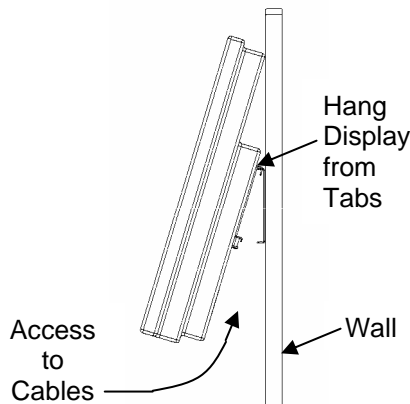


## Step 4



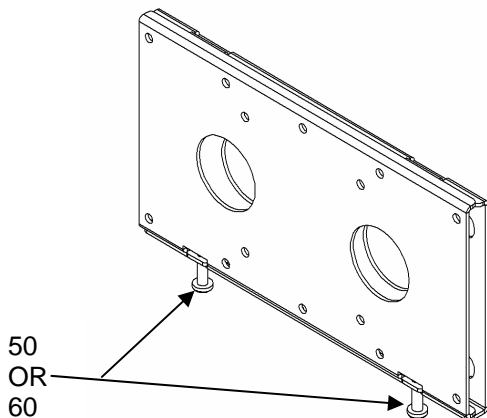
**Assemble the Brackets**

## Step 5



**Cable Hook-up — Side View**

## Step 6



**Carefully Tighten Locking Screws**

## Mounting the Display (Step 4)

With the aid of another person (if necessary), mount the display as follows:

Start the display, with VESA bracket (10) attached, slightly higher than the wall plate (20) to ensure that the tabs of the VESA bracket (10) can line up with the slots on the wall plate (20). Push the display towards the wall and drop down towards the wall plate (20) slots for secure fit.

**NOTE:** Leave the bottom two tabs unlatched at this point in the procedure. The tabs will be latched and secured in place later. For reference, see Step 5 for cable access.

## Cable Hook-up (Step 5)

Connect cables to the display as follows:

- A. To allow for greater space between the wall and your display: allow the display to hang from the two top tabs with the bottom tabs free to move. This allows for easier access to hook-up all cables.

**NOTE:** This is not considered the “home” position and should only be used to allow for cable access.

- B. Connect cables to the display.
- C. After all cables are secure, make sure that all four tabs are securely seated and the two locking screws (50 or 60) are tightened (see step 6).

## Locking the Display on the Wall Bracket (Step 6)

- A. Check to ensure that all four tabs are securely seated on the wall bracket. You should not be able to pull any part of the display towards you if the bracket is secure.
- B. Tighten the two locking screws (50 or 60).